

US00D837172S

(12) **United States Design Patent**  
**Haugen et al.**

(10) **Patent No.:** **US D837,172 S**  
(45) **Date of Patent:** **\*\* Jan. 1, 2019**

- (54) **COLLABORATION UNIT**
- (71) Applicant: **Cisco Technology, Inc.**, San Jose, CA (US)
- (72) Inventors: **Linn Tale Haugen**, Oslo (NO); **Simen Andresen**, Hosle (NO)
- (73) Assignee: **Cisco Technology, Inc.**, San Jose, CA (US)
- (\*\*) Term: **15 Years**
- (21) Appl. No.: **29/618,983**
- (22) Filed: **Sep. 26, 2017**
- (51) **LOC (11) Cl.** ..... **14-03**
- (52) **U.S. Cl.**  
USPC ..... **D14/126; D14/239**
- (58) **Field of Classification Search**  
USPC ..... D14/125-134, 239, 371, 136, 374-377, D14/440, 450, 448, 336, 342, 159; 312/7.2; 348/836, 838, 180, 184, 325, 348/739; 248/917-924, 465; 345/104, 345/133, 156, 168, 87, 173; D21/329, D21/515, 577, 622, 333, 433, 448, 452, D21/450, 331, 505; D10/15, 26; 446/484, 175, 356; D6/477, 479, 300; D20/10, 19, 39; D16/203, 241; 160/24  
CPC .... G06F 1/1601; G06F 1/1643; G06F 1/1652; G06F 1/1647; G06F 3/0412; H05K 5/0004; H05K 5/0017; H05K 5/02; H05K 5/0217; H04N 13/0459  
See application file for complete search history.

- D589,929 S 4/2009 Okamura et al.
  - D629,388 S \* 12/2010 Son ..... D14/214
  - D654,907 S 2/2012 McManigal
  - D655,274 S 3/2012 McManigal
- (Continued)

**OTHER PUBLICATIONS**

“Camera and Microphone Array”, Part #: HW-Camera-2, <https://www.infocus.com/forms/mpdemo>, last accessed Sep. 25, 2017, 2 pages.

*Primary Examiner* — Randall H Gholson  
(74) *Attorney, Agent, or Firm* — Edell, Shapiro & Finnan, LLC

(57) **CLAIM**

The ornamental design for a collaboration unit, as shown and described.

**DESCRIPTION**

FIG. 1 is a front perspective view of a collaboration unit mounted on a wall a distance above an electronic display screen;

FIG. 2 is a front perspective view of the collaboration unit of FIG. 1 mounted atop the electronic display screen;

FIG. 3 is a front perspective view of the collaboration unit of FIG. 1;

FIG. 4 is a back perspective view of the collaboration unit of FIG. 1;

FIG. 5 is a front view of the collaboration unit of FIG. 1;

FIG. 6 is a back view of the collaboration unit of FIG. 1;

FIG. 7 is a first side view of the collaboration unit of FIG. 1;

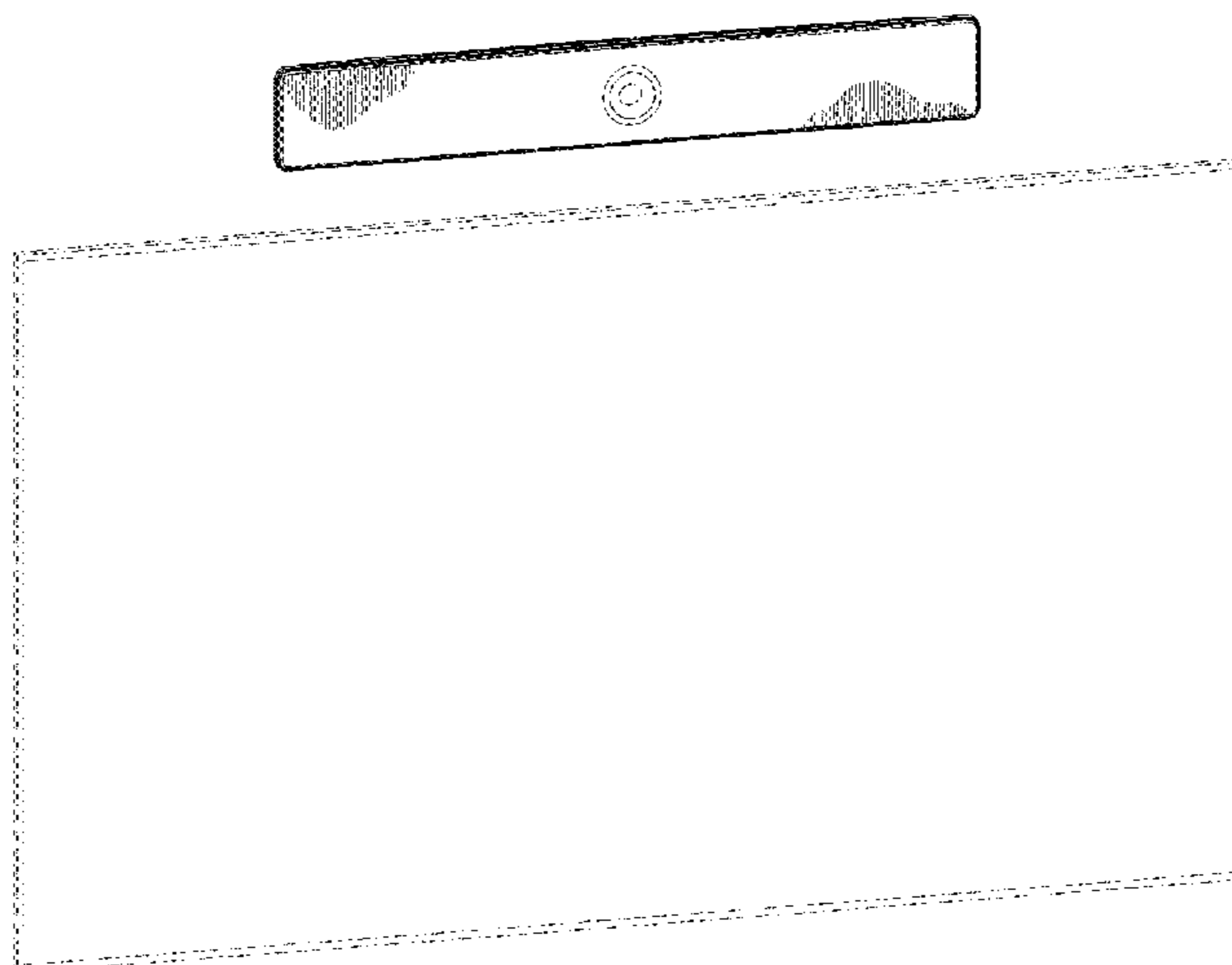
FIG. 8 is a second side view of the collaboration unit of FIG. 1;

FIG. 9 is a top view of the collaboration unit of FIG. 1; and, FIG. 10 is a bottom view of the collaboration unit of FIG. 1. Any portions shown using dashed lines are for illustrative purposes only and form no part of the claimed design.

**1 Claim, 7 Drawing Sheets**

(56) **References Cited**  
U.S. PATENT DOCUMENTS

- D520,494 S \* 5/2006 Aiba ..... D14/214
- D526,309 S 8/2006 Ozawa et al.
- D555,633 S 11/2007 Kim et al.
- D562,801 S 2/2008 Kim et al.



(56)

**References Cited**

U.S. PATENT DOCUMENTS

D692,858 S	11/2013	Millora et al.	
D710,823 S *	8/2014	Woo .....	D14/214
D711,852 S	8/2014	Mackiewicz et al.	
D715,769 S	10/2014	McManigal	
D731,573 S	6/2015	Lyngra et al.	
D738,860 S	9/2015	Kim et al.	
D742,845 S	11/2015	Ostensen et al.	
D743,373 S	11/2015	Kim et al.	
D744,982 S	12/2015	Kim et al.	
D754,104 S	4/2016	Yoon et al.	
D756,322 S	5/2016	Ostensen et al.	
D756,961 S	5/2016	White et al.	
D766,876 S	9/2016	Honda	
D773,420 S *	12/2016	Kim .....	D14/126
D793,362 S	8/2017	Fischer	
2017/0094222 A1	3/2017	Tangeland et al.	

\* cited by examiner

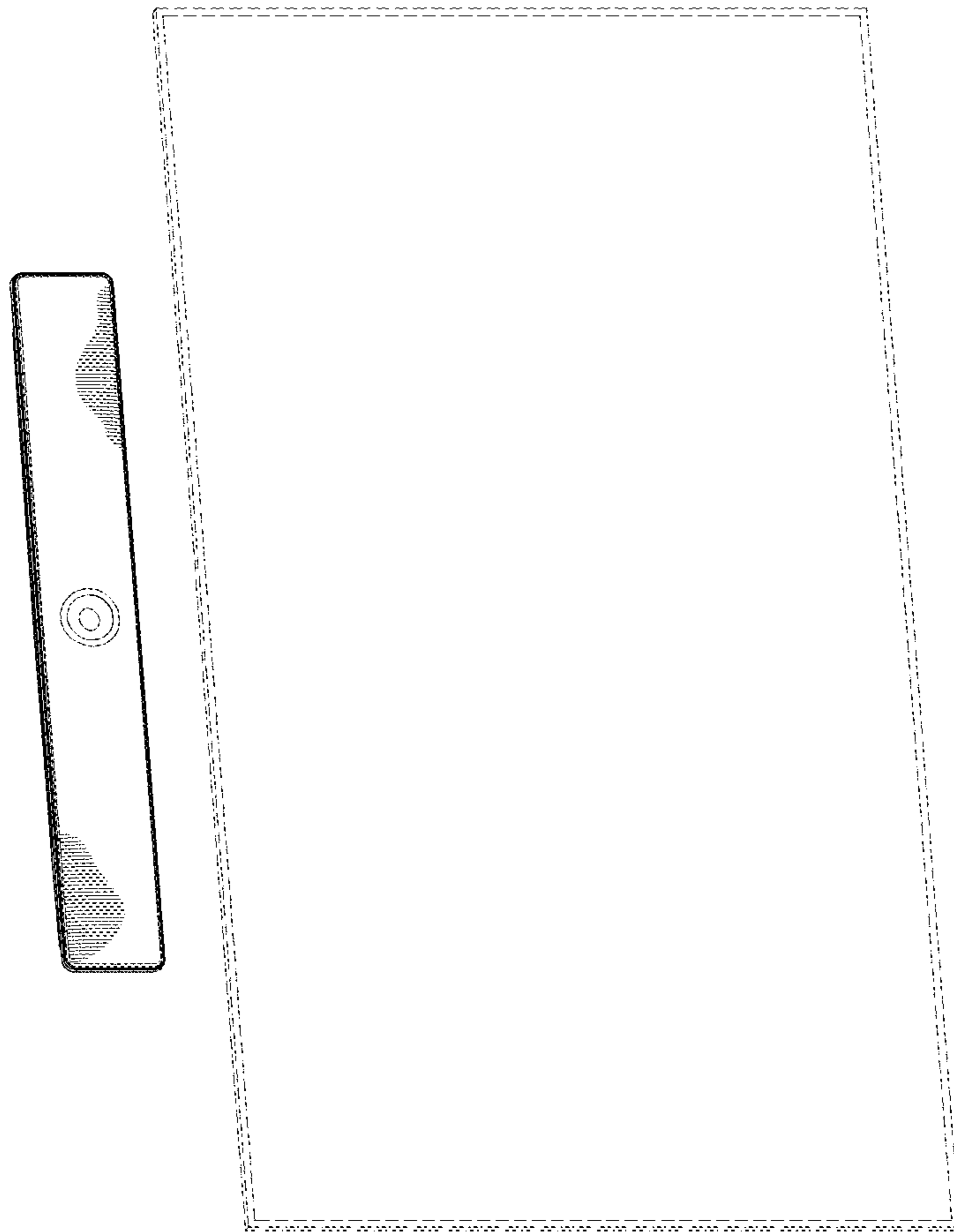


FIG.1

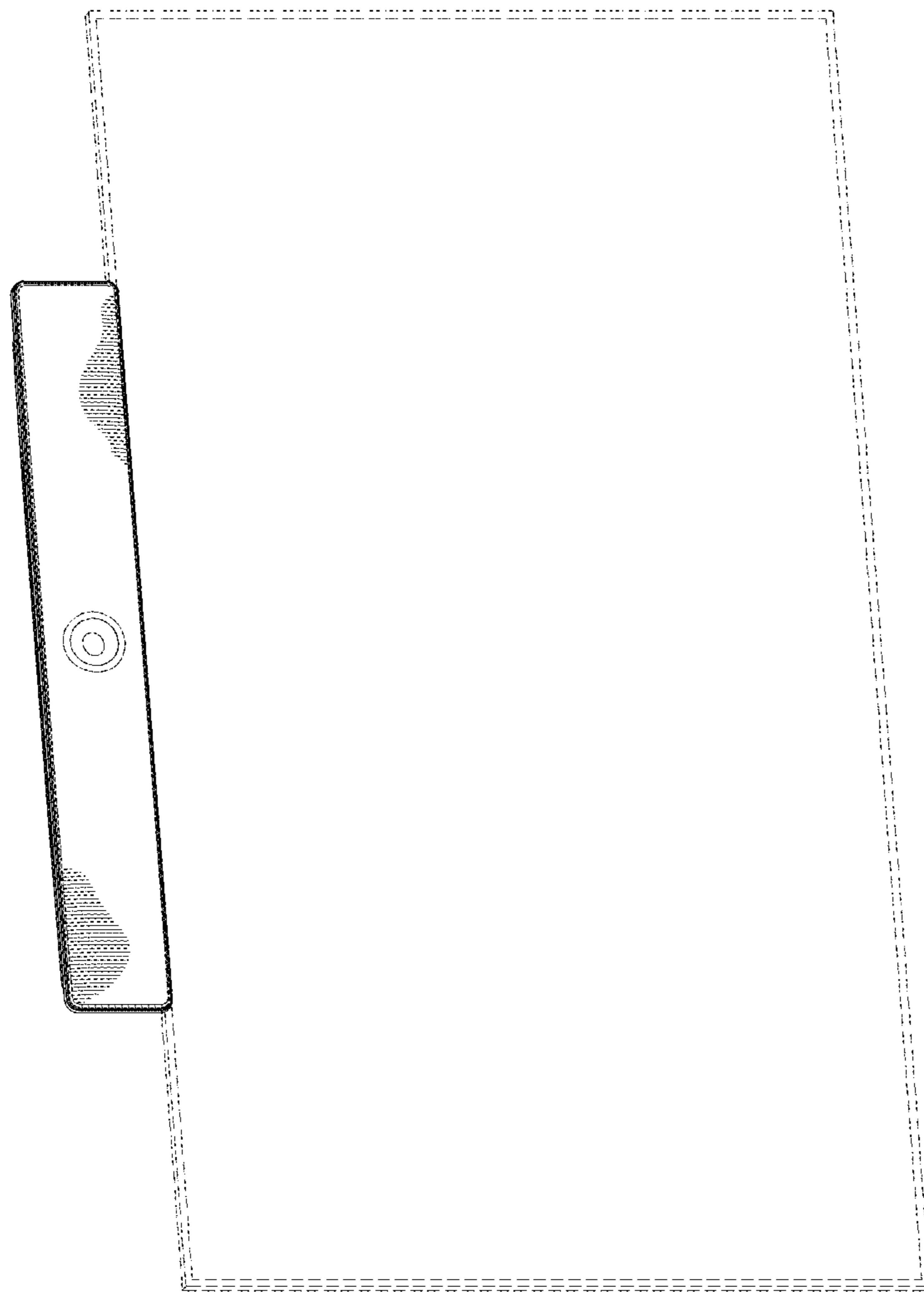


FIG. 2

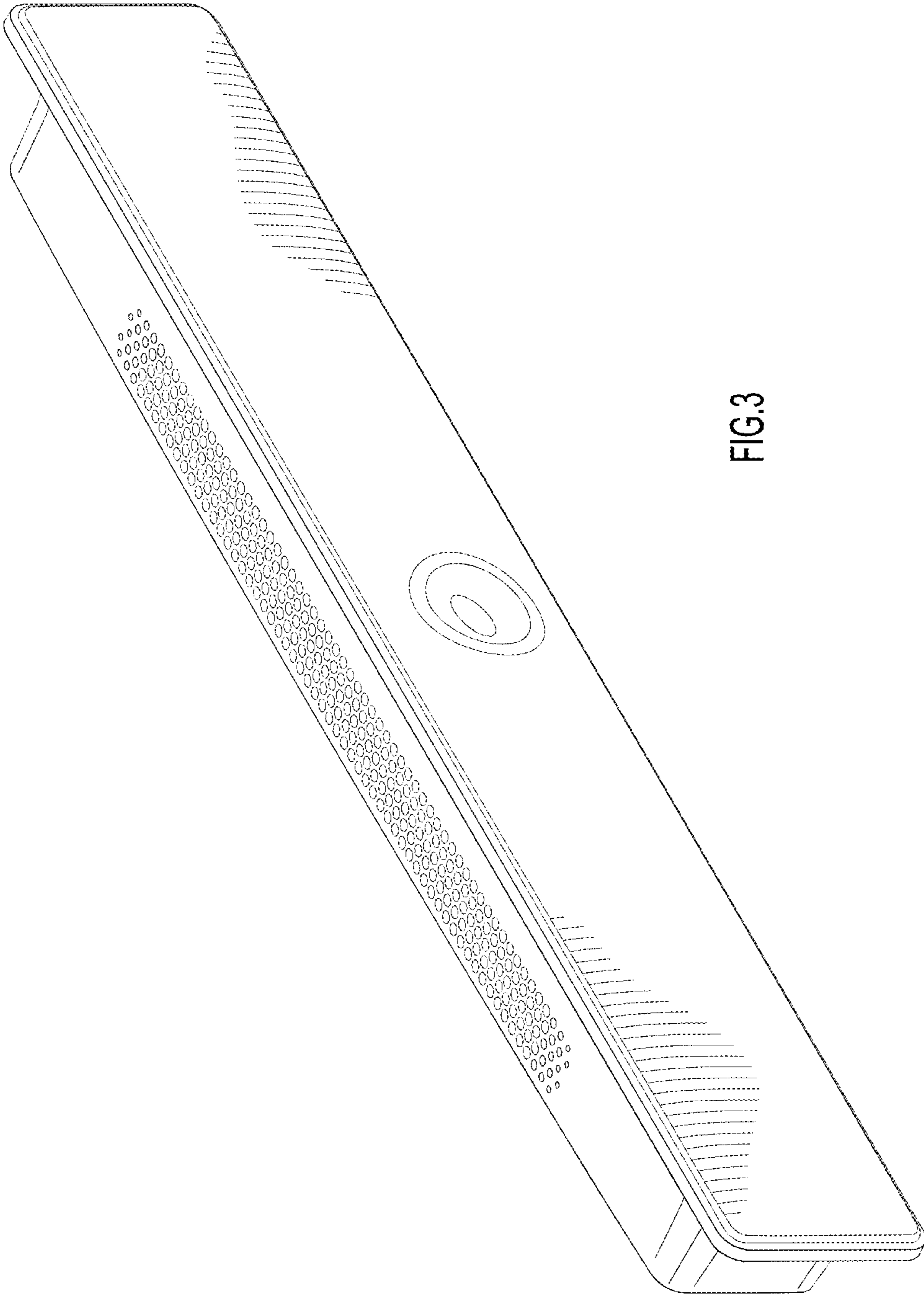


FIG.3

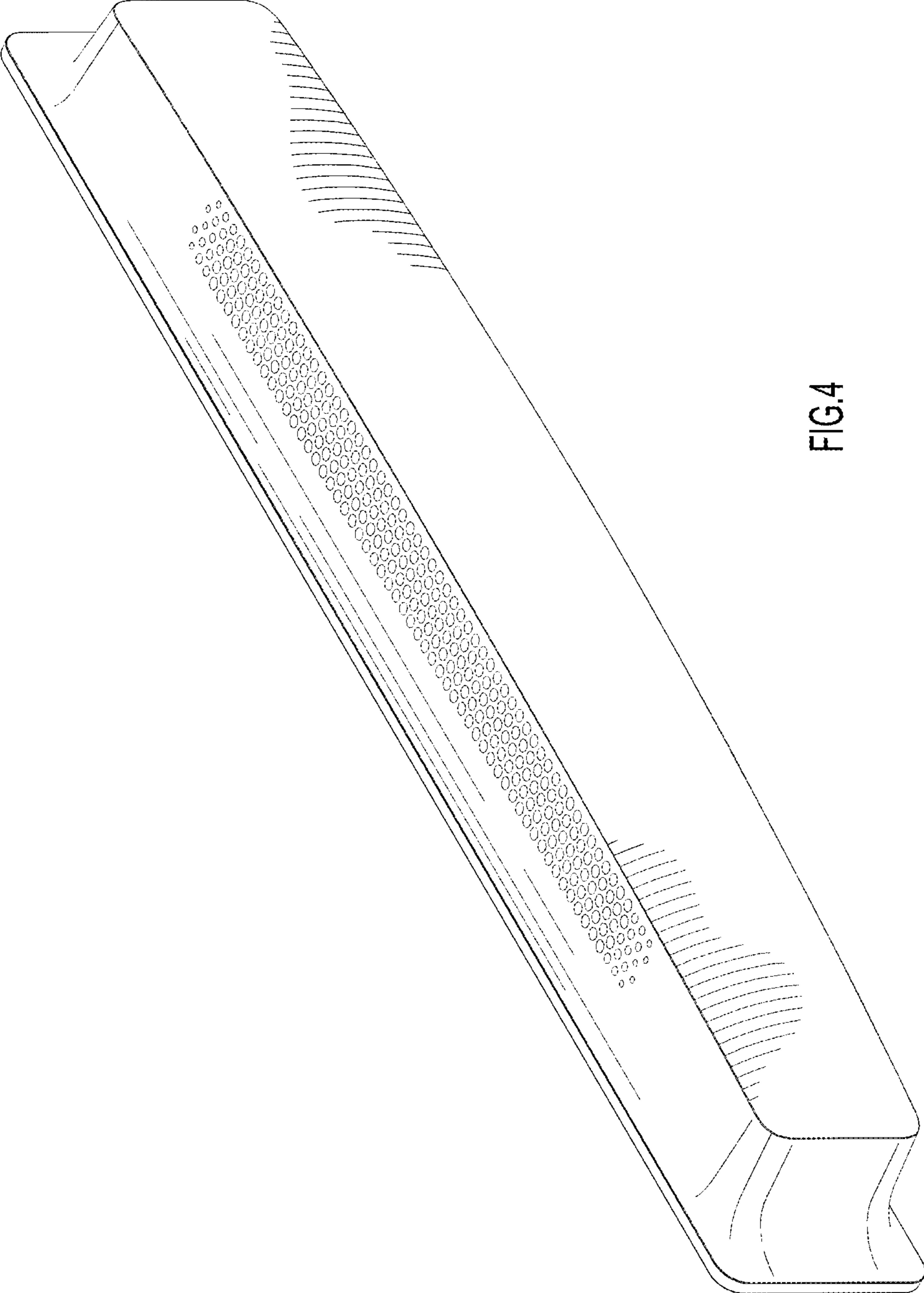


FIG. 4

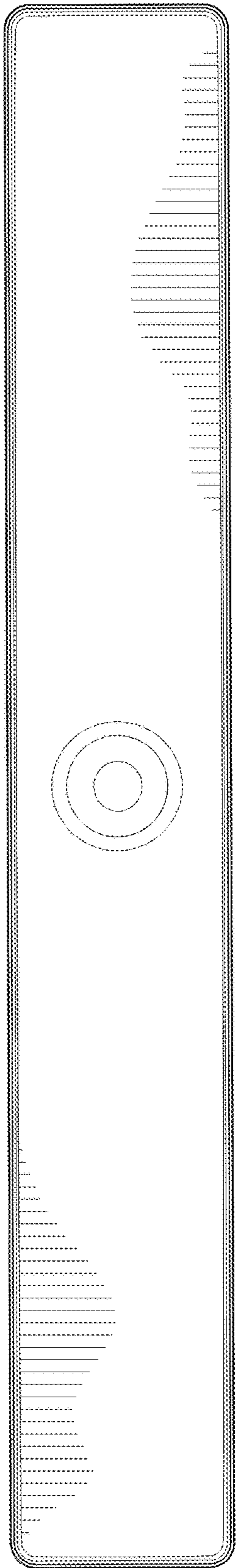


FIG. 5

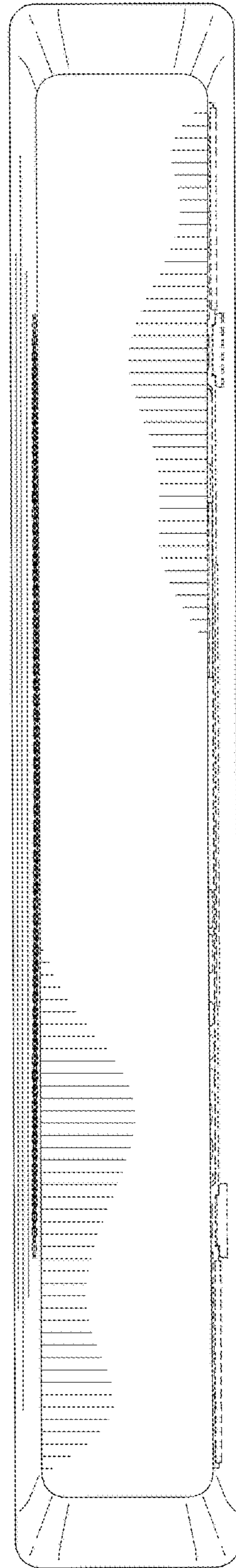


FIG. 6

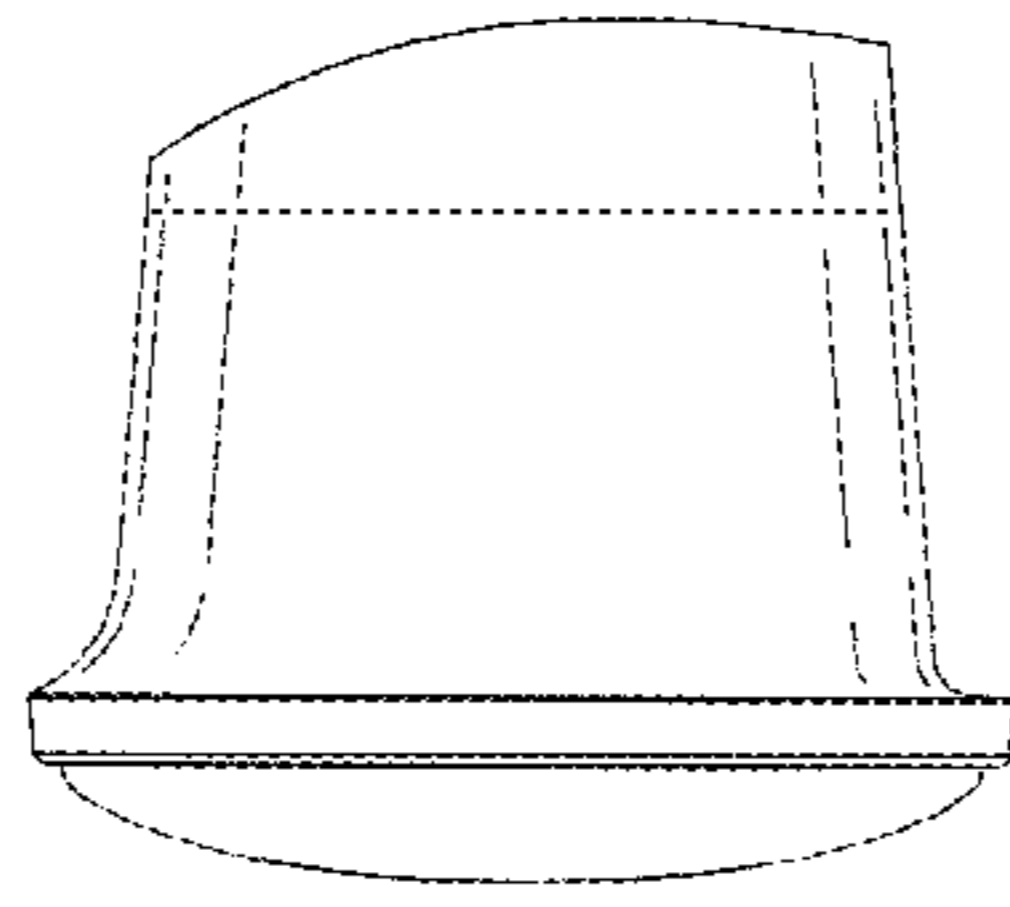


FIG. 8

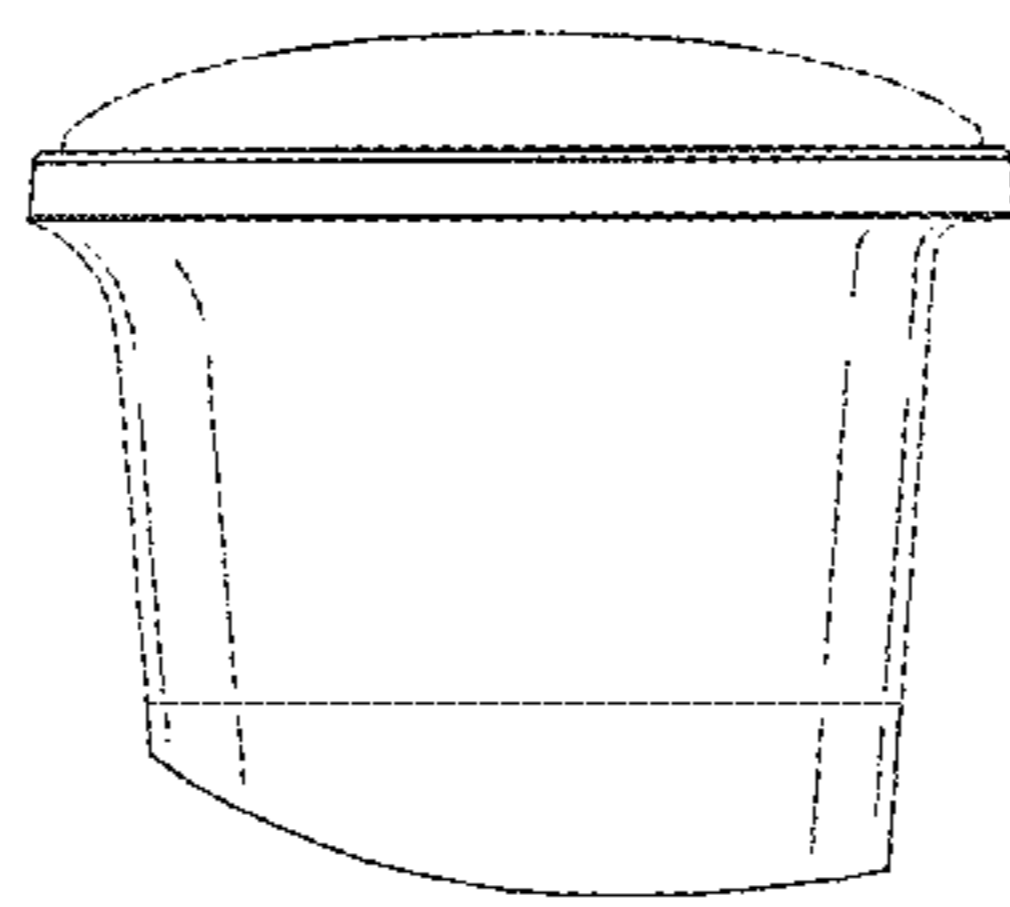


FIG. 7



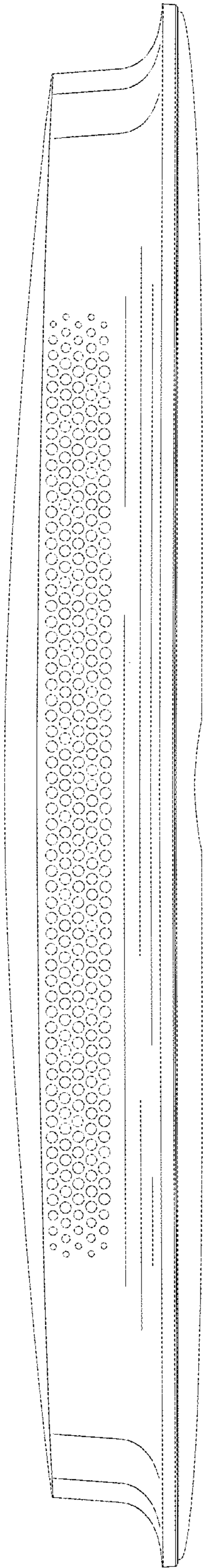


FIG. 9

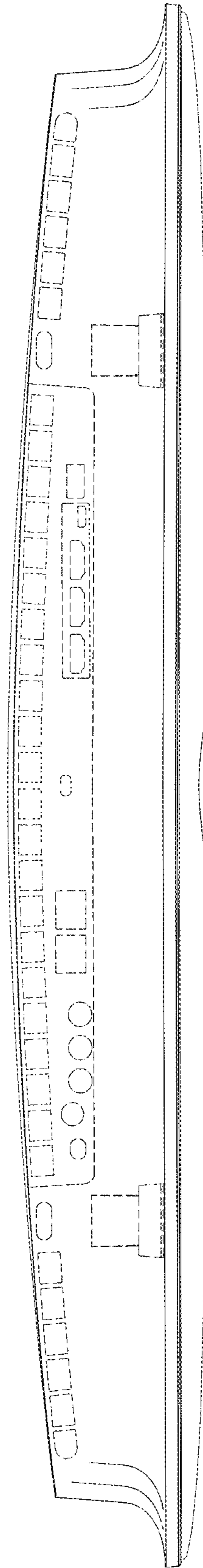


FIG. 10