



US00D837169S

(12) **United States Design Patent** (10) **Patent No.:** **US D837,169 S**  
**Altonen et al.** (45) **Date of Patent:** **\*\* Jan. 1, 2019**

(54) **CONTROL DEVICE**

(71) Applicant: **Lutron Electronics Co., Inc.**,  
Coopersburg, PA (US)  
(72) Inventors: **Gregory Altonen**, Easton, PA (US);  
**Susan Hakkarainen**, Doylestown, PA  
(US); **Jason C. Killo**, Emmaus, PA  
(US); **Brad Michael Kreschollek**,  
Bethlehem, PA (US); **Matthew Philip  
McDonald**, Phoenixville, PA (US)

D441,346 S 5/2001 Bonn  
D464,630 S 10/2002 Woodworth  
D469,411 S 1/2003 Decosse  
D515,516 S 2/2006 Mayo et al.  
D558,692 S 1/2008 Neveu  
D589,463 S 3/2009 Sykes  
7,884,299 B2 2/2011 Glew  
D645,005 S 9/2011 Menheere  
D654,880 S 2/2012 Lam  
D687,328 S 8/2013 Clymer et al.  
8,786,196 B2 7/2014 Biery et al.  
D713,236 S \* 9/2014 Park ..... D8/310  
D725,612 S 3/2015 Schlegel et al.

(Continued)

(73) Assignee: **Lutron Electronics Co., Inc.**,  
Coopersburg, PA (US)

(\*\*) Term: **15 Years**

(21) Appl. No.: **29/594,202**

(22) Filed: **Feb. 16, 2017**

(51) **LOC (11) Cl.** ..... **13-03**

(52) **U.S. Cl.**  
USPC ..... **D13/174**

(58) **Field of Classification Search**  
USPC ..... D13/162, 168, 171, 173, 174; D14/487,  
D14/489; D10/104.1; D7/393; D8/310,  
D8/312  
CPC ..... H01H 3/12; H01H 3/122; H01H 9/02;  
H01H 9/16; H01H 9/18; H01H 9/181;  
H01H 9/182; H01H 13/023; H01H 13/04;  
H01H 13/06; H01H 13/14; H01H  
2009/187; H05B 33/0803; H05B 33/0863;  
H05B 37/02; H05B 37/0254; H05B  
37/0272; H05B 39/02; H05B 39/04;  
H05B 39/085; H05B 39/086; H05B  
39/088; G08C 17/02; H03K 17/962

See application file for complete search history.

(56) **References Cited**

**U.S. PATENT DOCUMENTS**

D199,922 S \* 12/1964 Schlage ..... D8/310  
D362,841 S 10/1995 Roza  
6,107,583 A 8/2000 Berfield

**OTHER PUBLICATIONS**

Legrand® / Pass & Seymour®, P&S Dimmers—DR Series Bro-  
chure, 2010, 2 pages.  
Legrand®, Dimmers Brochure, 2015, 18 pages.  
Lumenpulse™, Lumentone™ Specification Sheet, 2013, 4 pages.  
Lumenpulse™, Lumentone™ Installation Instructions, 2013, 1 page.  
Lumenpulse™, Lumentone™ Quick Reference Guide, 2015, 3  
pages.

(Continued)

*Primary Examiner* — Selina Sikder  
(74) *Attorney, Agent, or Firm* — Saidman DesignLaw  
Group, LLC

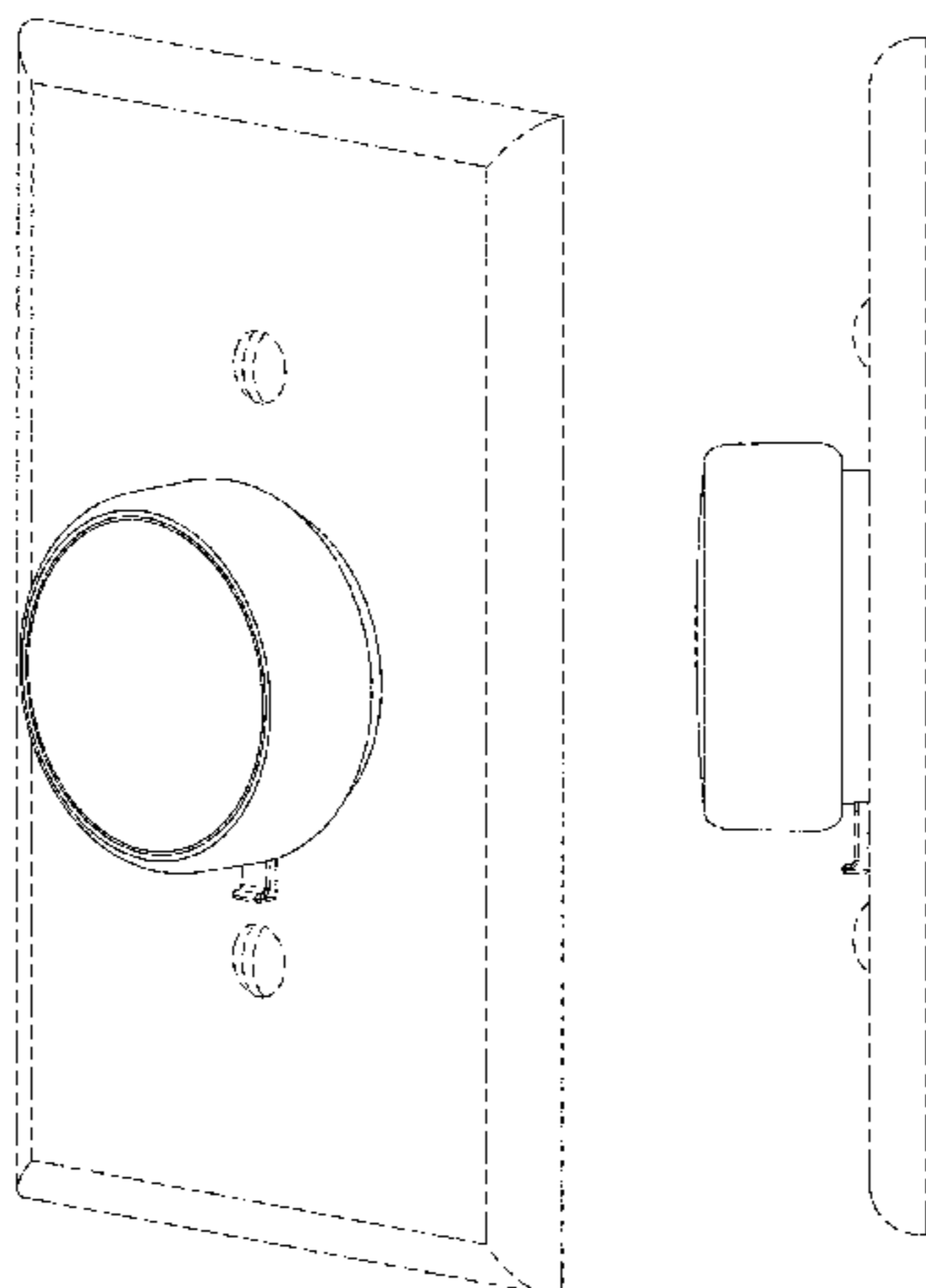
(57) **CLAIM**

The ornamental design for a control device, as shown and  
described.

**DESCRIPTION**

FIG. 1 is a front perspective view of a control device  
showing our new design;  
FIG. 2 is a front view thereof;  
FIG. 3 is a left side view thereof;  
FIG. 4 is a right side view thereof;  
FIG. 5 is a top view thereof; and,  
FIG. 6 is a bottom view thereof.  
The dashed broken lines illustrate structure or features  
which form no part of the claimed design.

**1 Claim, 4 Drawing Sheets**



(56)

References Cited

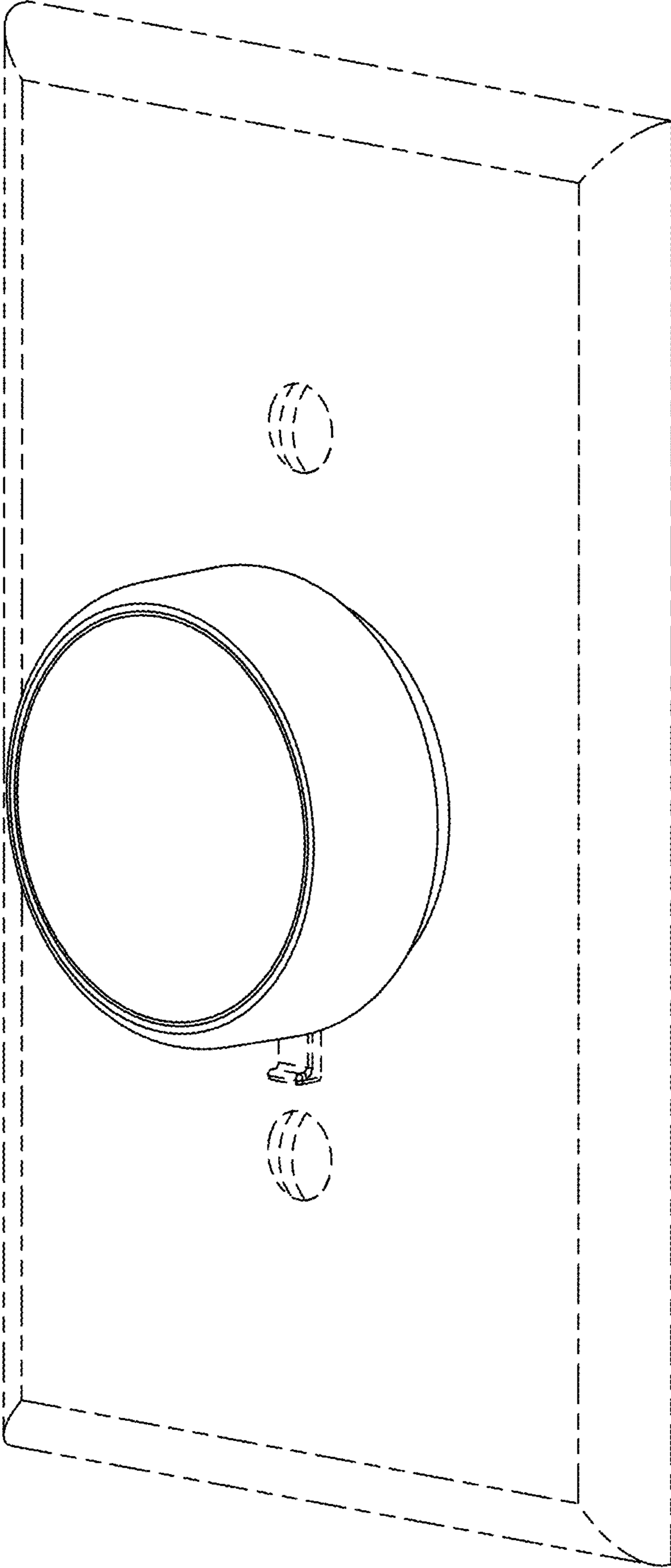
OTHER PUBLICATIONS

U.S. PATENT DOCUMENTS

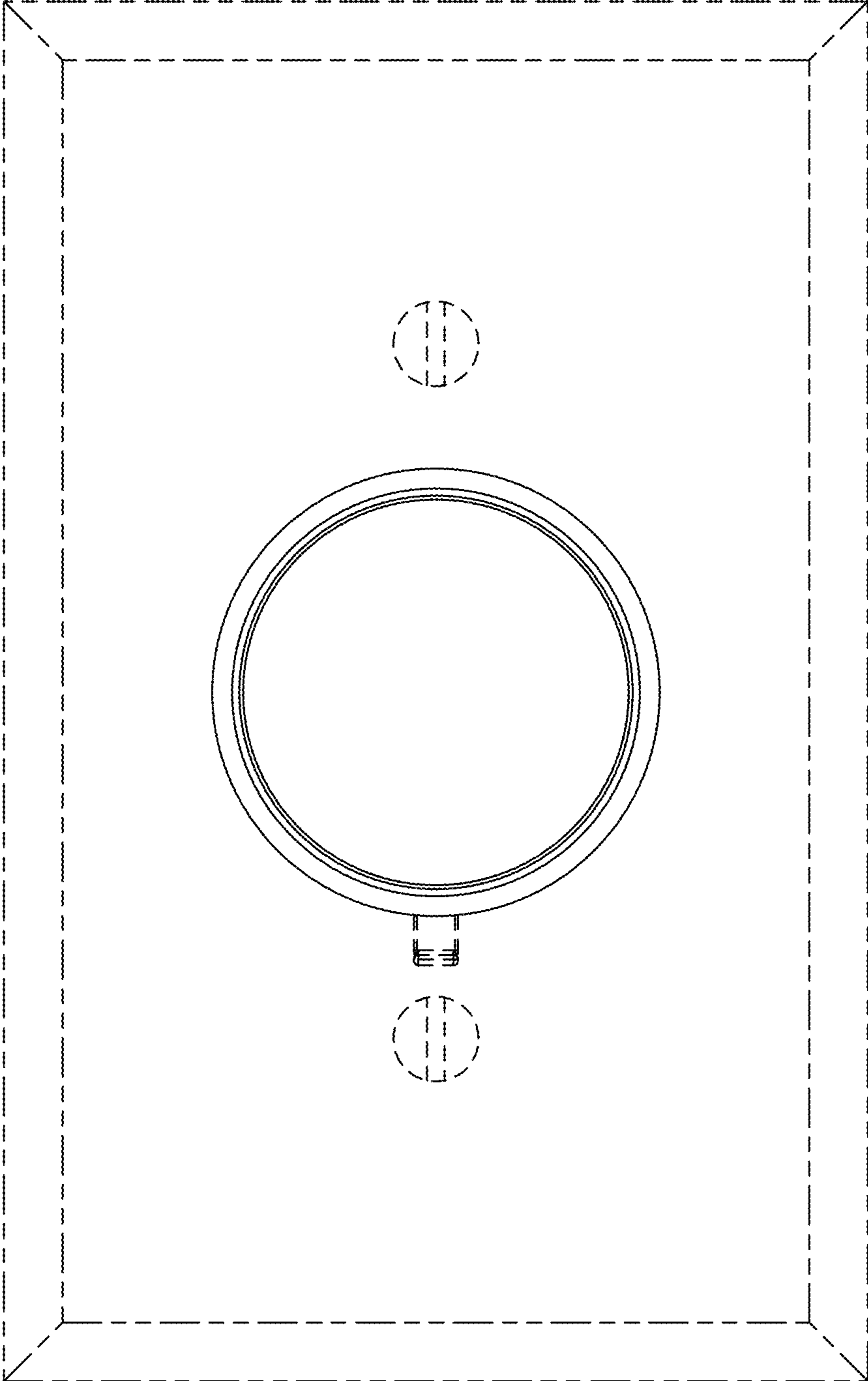
D748,648 S 2/2016 Kim et al.  
 D755,037 S 5/2016 Czerwinski, Jr. et al.  
 9,337,943 B2 5/2016 Mosebrook et al.  
 D761,277 S 7/2016 Harvell  
 D762,716 S 8/2016 Yang et al.  
 D763,308 S 8/2016 Wang et al.  
 D766,844 S 9/2016 Turksu et al.  
 D786,932 S 5/2017 Kim et al.  
 D808,912 S \* 1/2018 Dimberg ..... D13/174  
 D814,428 S \* 4/2018 Dimberg ..... D13/174  
 2007/0057922 A1 3/2007 Schultz et al.  
 2007/0102275 A1 5/2007 Genz et al.  
 2007/0193867 A1 8/2007 Lorenzo Riera et al.  
 2010/0175971 A1 7/2010 Kim et al.  
 2013/0328500 A1 12/2013 Toda  
 2014/0042002 A1 2/2014 Chu  
 2014/0117871 A1 5/2014 Swatsky et al.  
 2015/0371534 A1 12/2015 Dimberg et al.  
 2017/0354022 A1 \* 12/2017 Dimberg ..... G05B 15/02

U.S. Appl. No. 62/345,449, filed Jun. 3, 2016 (unpublished).  
 U.S. Appl. No. 62/345,222, filed Jun. 3, 2016 (unpublished).  
 U.S. Appl. No. 29/566,959, filed Jun. 3, 2016 (unpublished).  
 U.S. Appl. No. 29/566,966, filed Jun. 3, 2016 (unpublished).  
 U.S. Appl. No. 29/569,786, filed Jun. 30, 2016 (unpublished).  
 U.S. Appl. No. 29/569,814, filed Jun. 30, 2016 (unpublished).  
 U.S. Appl. No. 29/594,200, filed Feb. 16, 2017 (unpublished).  
 U.S. Appl. No. 29/597,335, filed Mar. 16, 2017 (unpublished).  
 Electronic Theatre Controls, Inc., Echo Inspire® Station Programming Guide, Software Version 2.0.1, Feb. 2015, 44 pages.  
 Electronic Theatre Controls, Inc., Echo Inspire® Control Stations, <URL:https://www.etcconnect.com/Products/Architectural-Systems/Echo/Control-Stations/Inspire-Control-Stations/Features.aspx>, available from Internet at least as early as Jul. 15, 2014 [site visited May 9, 2018].  
 Electronic Theatre Controls, Inc., Echo Inspire® Control Station: 4-Button with Fader Knob, photograph taken on May 8, 2018.

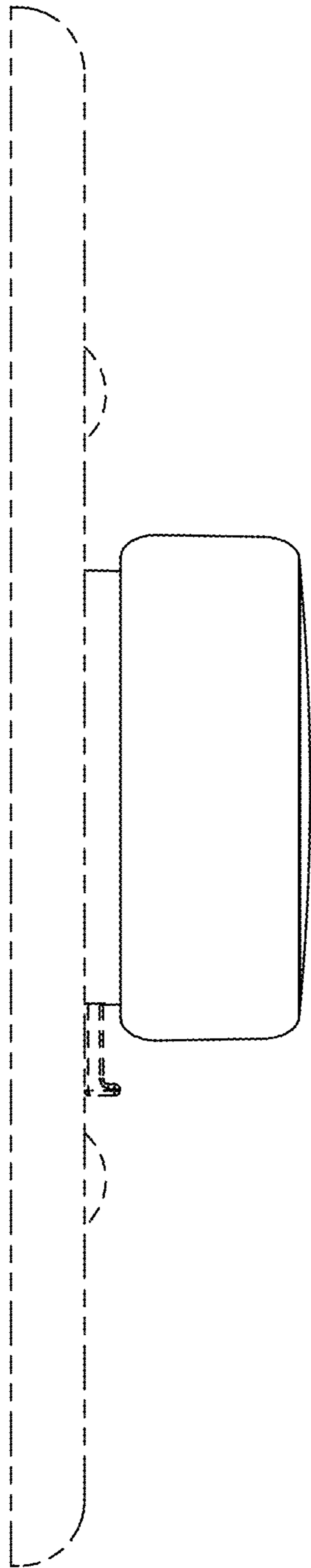
\* cited by examiner



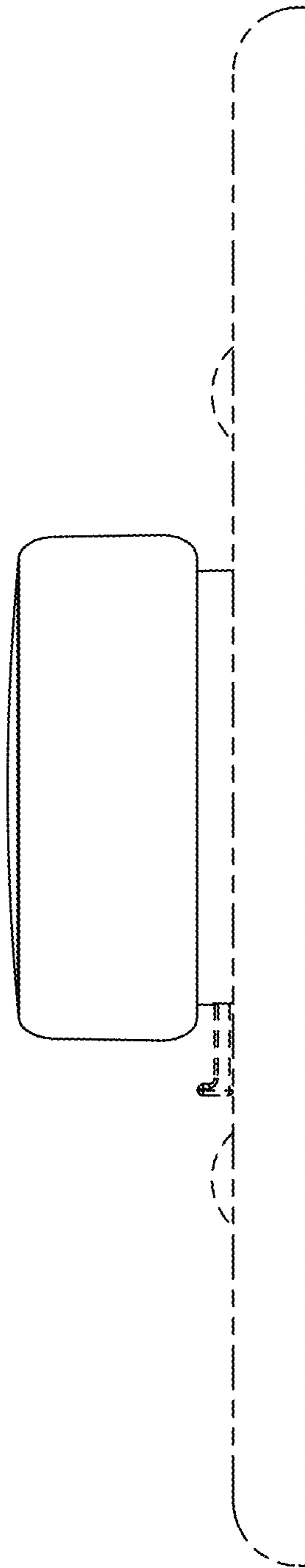
**FIG. 1**



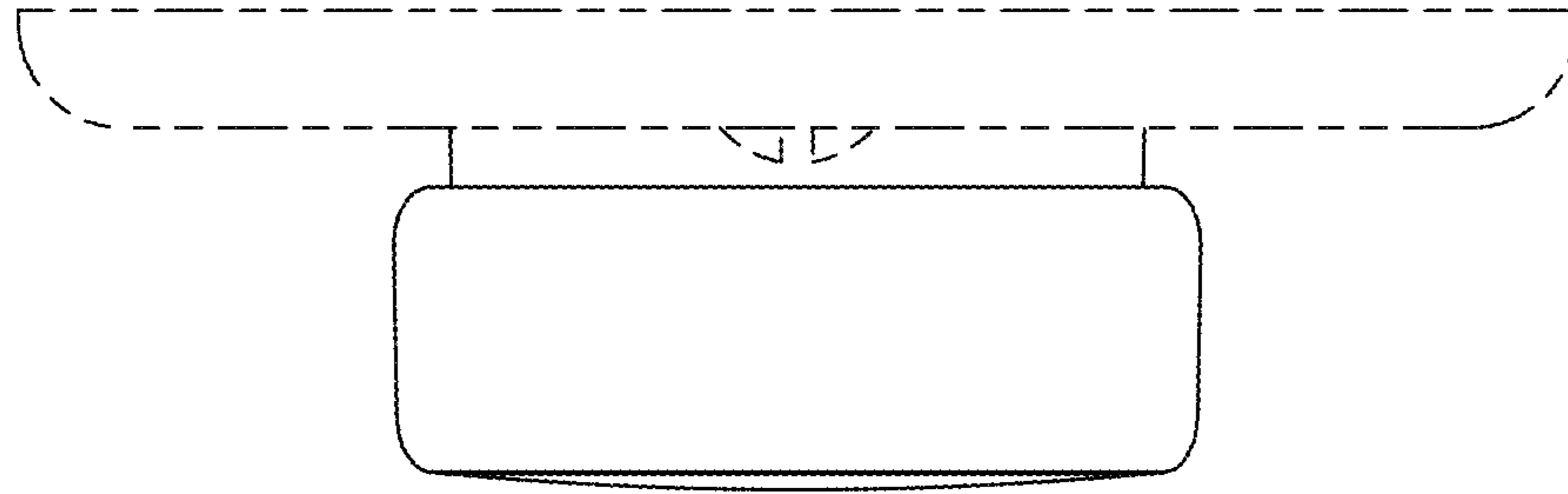
**FIG. 2**



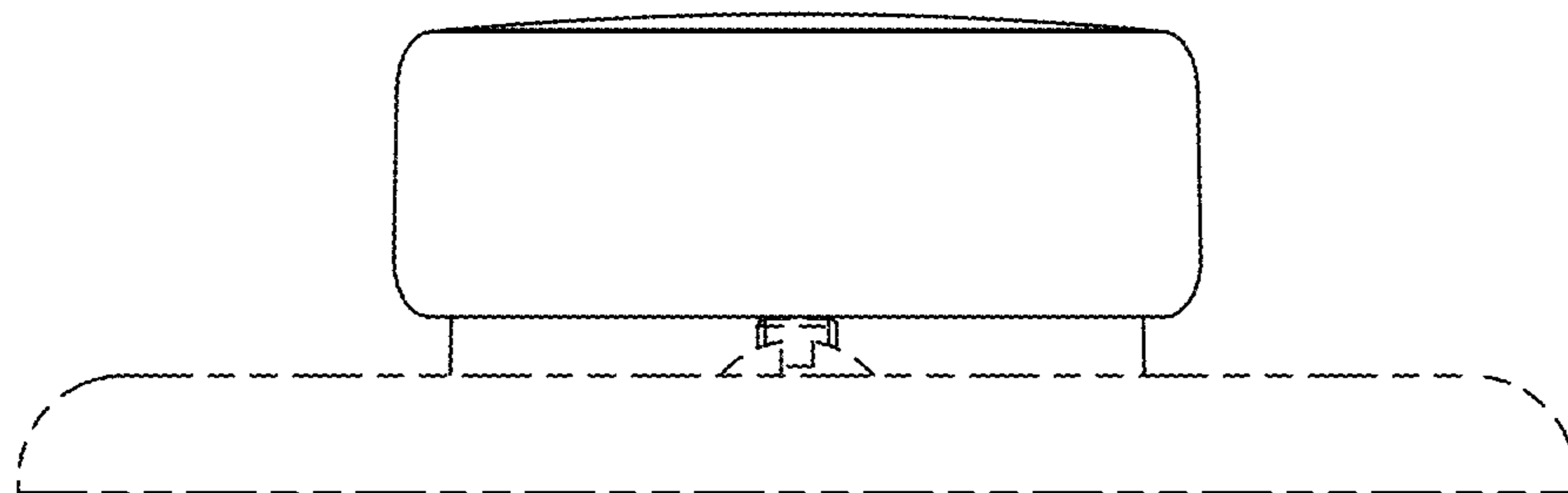
**FIG. 3**



**FIG. 4**



**FIG. 5**



**FIG. 6**