



US00D837168S

(12) **United States Design Patent** (10) **Patent No.:** **US D837,168 S**
Altonen et al. (45) **Date of Patent:** **** Jan. 1, 2019**

(54) **CONTROL DEVICE**

(71) Applicant: **Lutron Electronics Co., Inc.**,
Coopersburg, PA (US)
(72) Inventors: **Gregory Altonen**, Easton, PA (US);
Susan Hakkarainen, Doylestown, PA
(US); **Jason C. Killo**, Emmaus, PA
(US); **Brad Michael Kreschollek**,
Bethlehem, PA (US); **Noel Mayo**,
Philadelphia, PA (US); **Matthew Philip
McDonald**, Phoenixville, PA (US)

(73) Assignee: **Lutron Electronics Co., Inc.**,
Coopersburg, PA (US)

(**) Term: **15 Years**

(21) Appl. No.: **29/594,200**

(22) Filed: **Feb. 16, 2017**

(51) **LOC (11) Cl.** **13-03**

(52) **U.S. Cl.**
USPC **D13/174**

(58) **Field of Classification Search**
USPC D13/162, 168, 171, 173, 174; D14/487,
D14/489; D10/104.1
CPC H01H 3/12; H01H 3/122; H01H 9/02;
H01H 9/16; H01H 9/18; H01H 9/181;
H01H 9/182; H01H 13/023; H01H 13/04;
H01H 13/06; H01H 13/14; H01H
2009/187; H05B 33/0803; H05B 33/0863;
H05B 37/02; H05B 37/0254; H05B
37/0272; H05B 39/02; H05B 39/04;
H05B 39/085; H05B 39/086; H05B
39/088; G08C 17/02; H03K 17/962
See application file for complete search history.

(56) **References Cited**

U.S. PATENT DOCUMENTS

D199,922 S * 12/1964 Schlage D8/310
D362,841 S 10/1995 Roza
6,107,583 A 8/2000 Berfield

D441,346 S 5/2001 Bonn
D464,630 S 10/2002 Woodworth
D469,411 S 1/2003 Decosse
D515,516 S 2/2006 Mayo et al.
D558,692 S 1/2008 Neveu
D589,463 S 3/2009 Sykes
7,884,299 B2 2/2011 Glew
D645,005 S 9/2011 Menheere
D654,880 S 2/2012 Lam
D687,328 S 8/2013 Clymer et al.
8,786,196 B2 7/2014 Biery et al.
D713,236 S * 9/2014 Park D8/310
D725,612 S 3/2015 Schlegel et al.
D748,648 S 2/2016 Kim et al.
D755,037 S 5/2016 Czerwinski, Jr. et al.
9,337,943 B2 5/2016 Mosebrook et al.
D761,277 S 7/2016 Harvell

(Continued)

OTHER PUBLICATIONS

LEGRAND® / Pass & Seymour®, P&S Dimmers—DR Series
Brochure, 2010, 2 pages.

(Continued)

Primary Examiner — Selina Sikder
(74) *Attorney, Agent, or Firm* — Saidman DesignLaw
Group, LLC

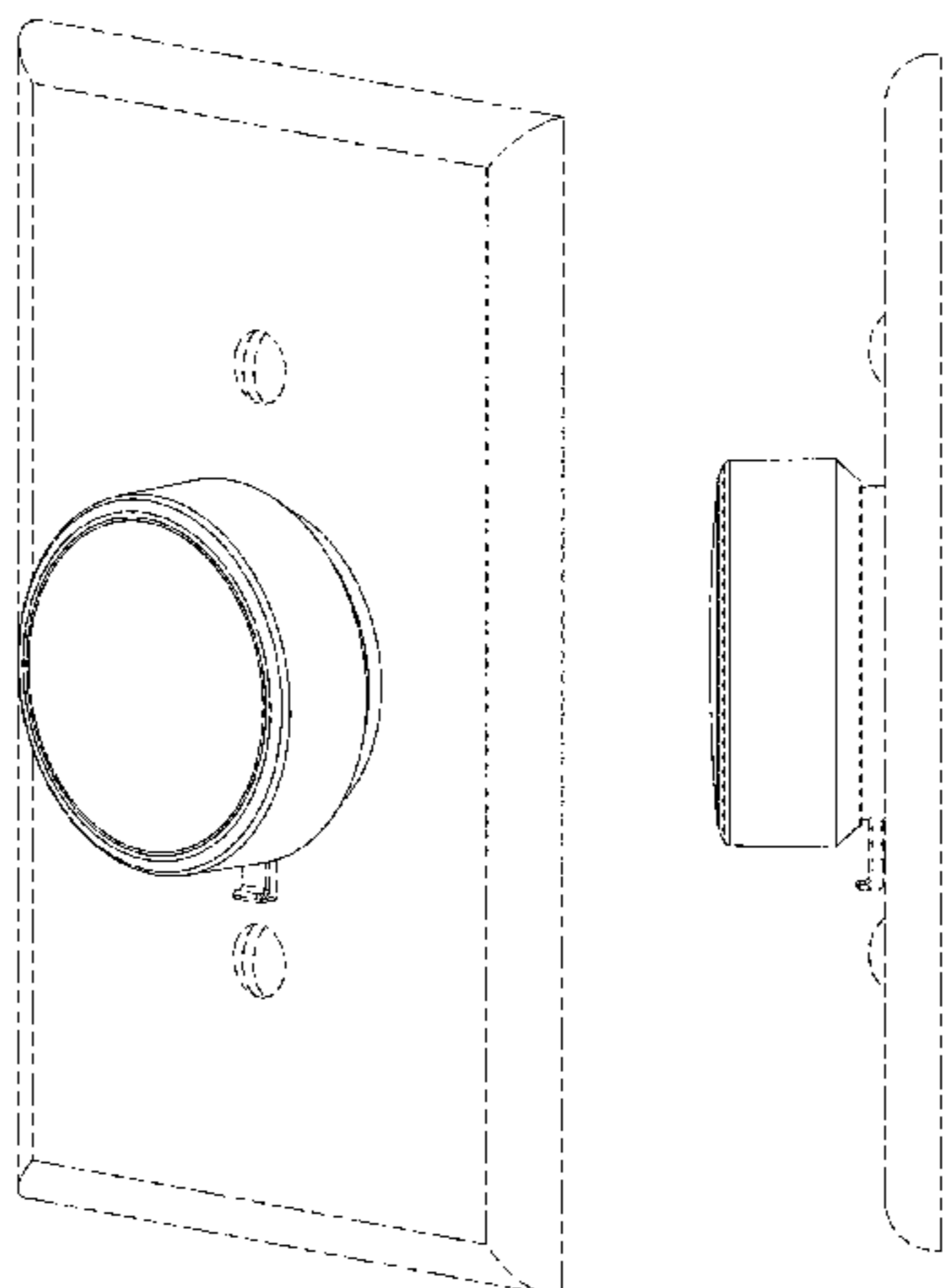
(57) **CLAIM**

The ornamental design for a control device, as shown and
described.

DESCRIPTION

FIG. 1 is a front perspective view of a control device
showing our new design;
FIG. 2 is a front view thereof;
FIG. 3 is a left side view thereof;
FIG. 4 is a right side view thereof;
FIG. 5 is a top view thereof; and,
FIG. 6 is a bottom view thereof.
The dashed broken lines illustrate structure or features
which form no part of the claimed design.

1 Claim, 4 Drawing Sheets



(56)

References Cited

U.S. PATENT DOCUMENTS

D762,716 S	8/2016	Yang et al.	
D763,308 S	8/2016	Wang et al.	
D766,844 S	9/2016	Turksu et al.	
D786,932 S	5/2017	Kim et al.	
D808,912 S *	1/2018	Dimberg	D13/174
D814,428 S *	4/2018	Dimberg	D13/174
2007/0057922 A1	3/2007	Schultz et al.	
2007/0102275 A1	5/2007	Genz et al.	
2007/0193867 A1	8/2007	Lorenzo Riera et al.	
2010/0175971 A1	7/2010	Kim et al.	
2013/0328500 A1	12/2013	Toda	
2014/0042002 A1	2/2014	Chu	
2014/0117871 A1	5/2014	Swatsky et al.	
2015/0371534 A1	12/2015	Dimberg et al.	
2017/0354022 A1 *	12/2017	Dimberg	G05B 15/02

OTHER PUBLICATIONS

LEGRAND®, Dimmers Brochure, 2015, 18 pages.
 LUMENPULSE™, Lumentone™ Specification Sheet, 2013, 4 pages.

LUMENPULSE™, Lumentone™ Installation Instructions, 2013, 1 page.
 LUMENPULSE™, Lumentone™ Quick Reference Guide, 2015, 3 pages.
 U.S. Appl. No. 62/345,449, filed Jun. 3, 2016 (unpublished).
 U.S. Appl. No. 62/345,222, filed Jun. 3, 2016 (unpublished).
 U.S. Appl. No. 29/566,959, filed Jun. 3, 2016 (unpublished).
 U.S. Appl. No. 29/566,966, filed Jun. 3, 2016 (unpublished).
 U.S. Appl. No. 29/569,814, filed Jun. 30, 2016 (unpublished).
 U.S. Appl. No. 29/569,786, filed Jun. 30, 2016 (unpublished).
 U.S. Appl. No. 29/594,202, filed Feb. 16, 2017 (unpublished).
 U.S. Appl. No. 29/597,335, filed Mar. 16, 2017 (unpublished).
 Electronic Theatre Controls, Inc., Echo Inspire® Station Programming Guide, Software Version 2.0.1, Feb. 2015, 44 pages.
 Electronic Theatre Controls, Inc., Echo Inspire® Control Stations, <URL:https://www.etconnect.com/Products/Architectural-Systems/Echo/Control-Stations/Inspire-Control-Stations/Features.aspx>, available from Internet at least as early as Jul. 15, 2014 [site visited May 9, 2018].
 Electronic Theatre Controls, Inc., Echo Inspire® Control Station: 4-Button with Fader Knob, photograph taken on May 8, 2018.

* cited by examiner

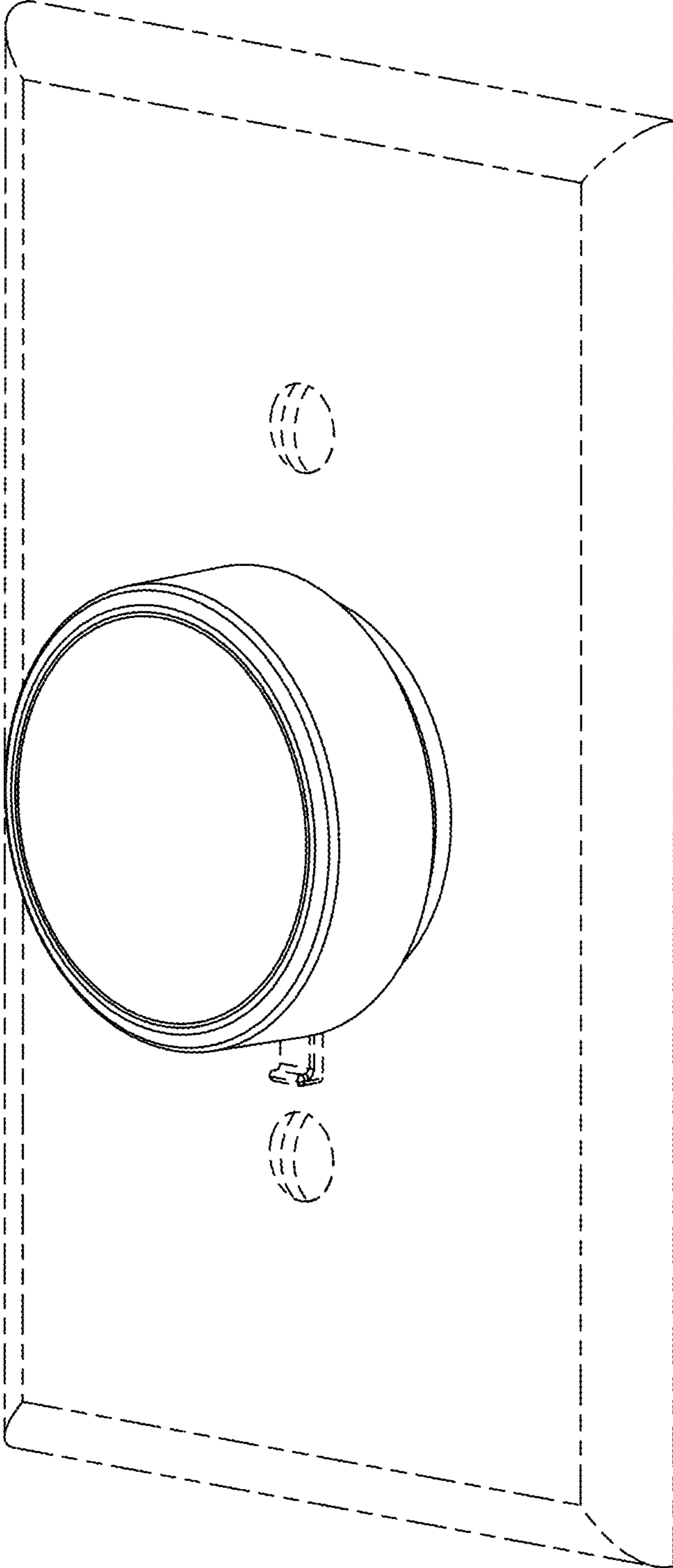


FIG. 1

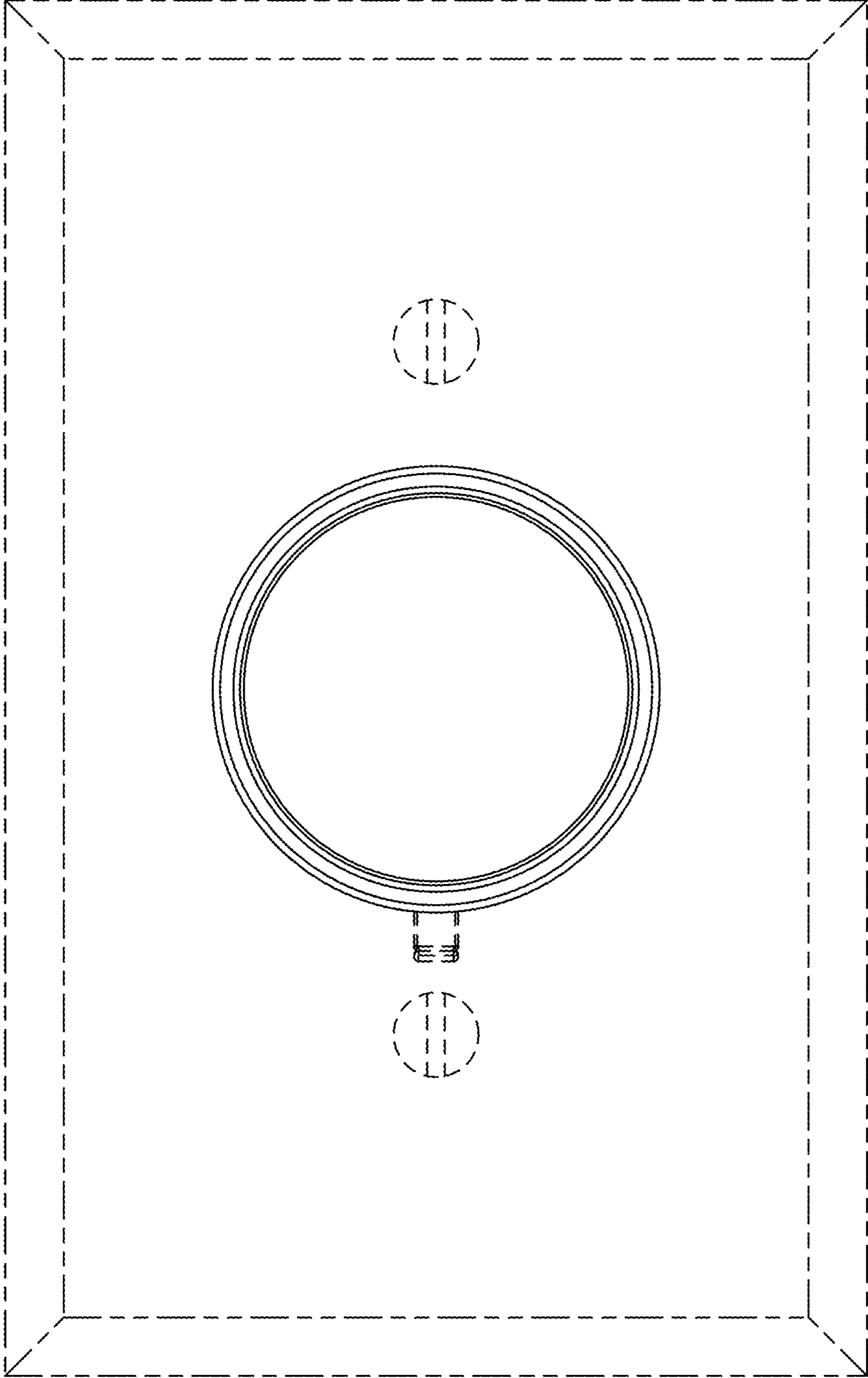


FIG. 2

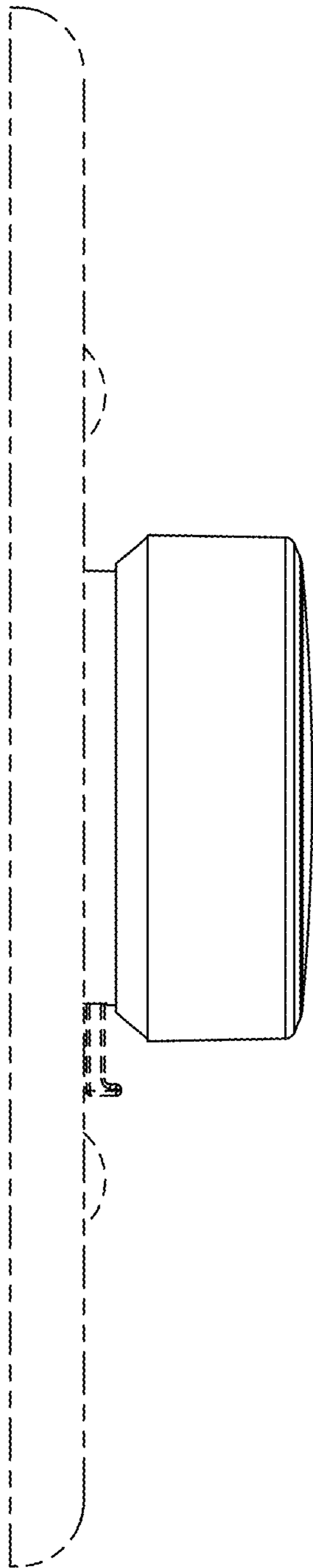


FIG. 3

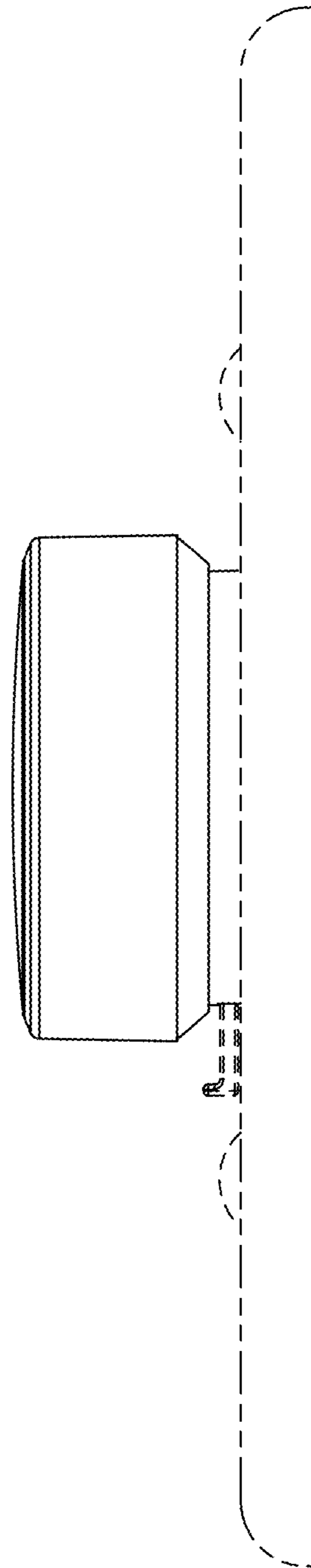


FIG. 4

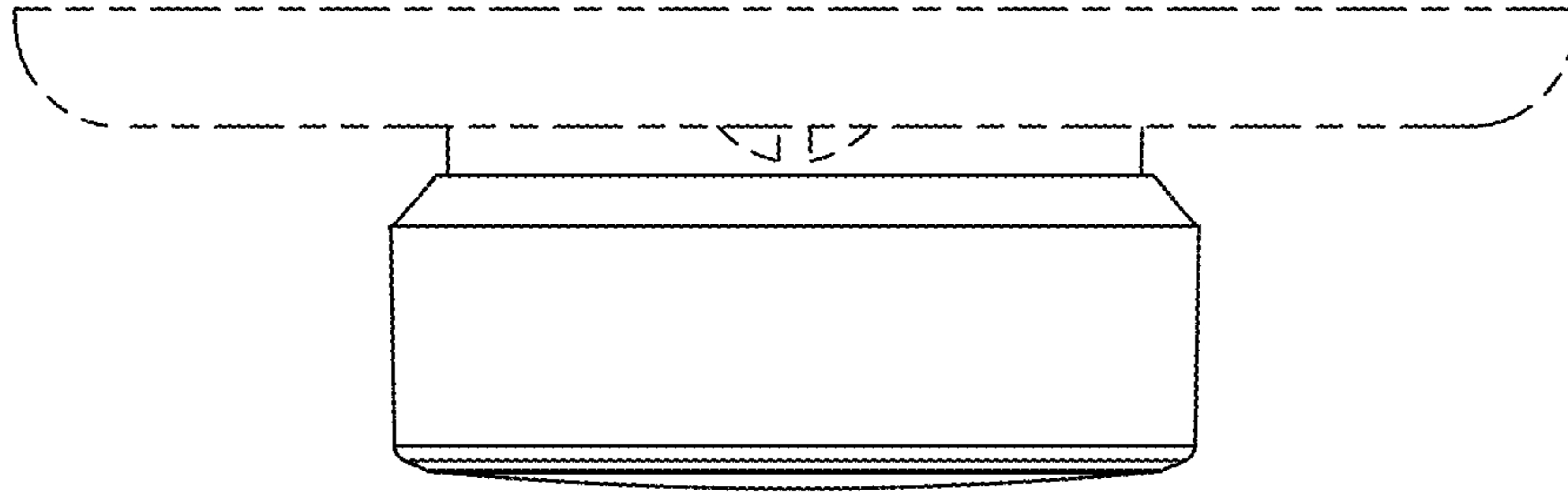


FIG. 5

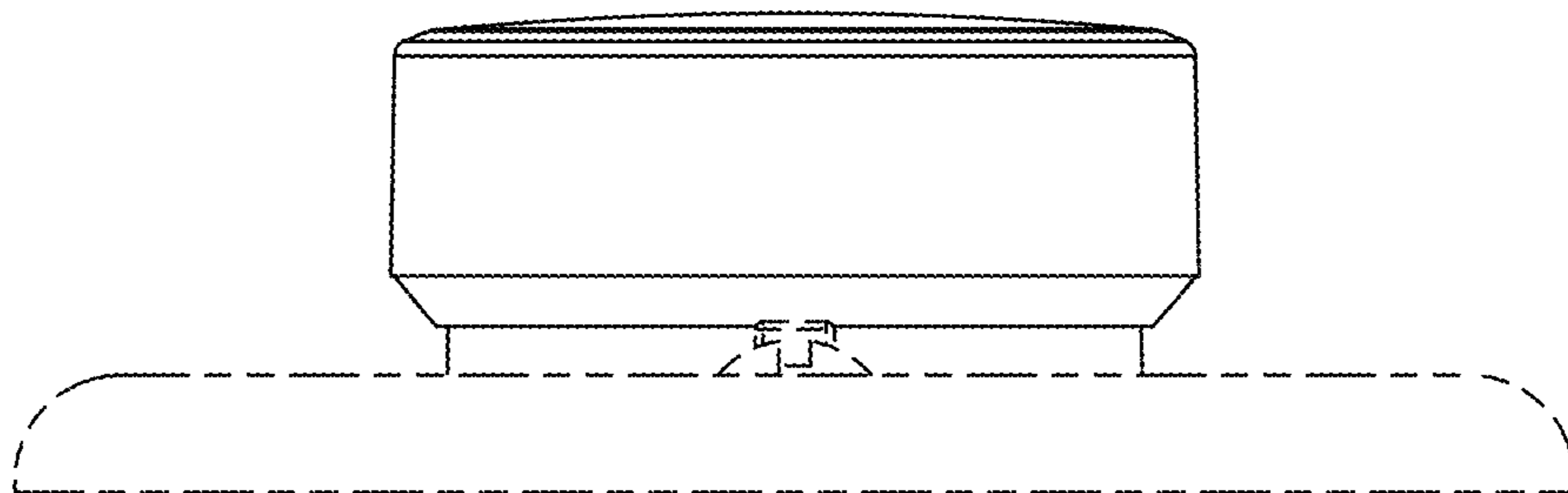


FIG. 6