



US00D837167S

(12) **United States Design Patent** (10) **Patent No.:** **US D837,167 S**  
**Zheng** (45) **Date of Patent:** **\*\* \*Jan. 1, 2019**

(54) **DIMMER SWITCH**

(71) Applicant: **Yueqing Hongji Trade Co., Ltd,**  
Yueqing, Zhejiang (CN)

(72) Inventor: **Shaotong Zheng,** Yueqing (CN)

(73) Assignee: **YUEQING HONGJI TRADE CO., LTD,**  
Yueqing, Zhejiang (CN)

(\*) Notice: This patent is subject to a terminal disclaimer.

(\*\*) Term: **15 Years**

(21) Appl. No.: **29/593,622**

(22) Filed: **Feb. 10, 2017**

(30) **Foreign Application Priority Data**

Oct. 27, 2016 (CN) ..... 2016 3 0529748

(51) **LOC (11) Cl.** ..... **13-03**

(52) **U.S. Cl.**  
USPC ..... **D13/169**

(58) **Field of Classification Search**  
USPC ..... D13/162, 164, 169, 171, 177  
CPC ..... H01H 9/02; H01H 9/0271; H01H 9/16;  
H01H 9/18; H01H 9/161; H01H 9/181;  
H01H 9/182; H01H 13/04; H01H 13/14;  
H01H 13/20; H01H 13/30; H01H 19/635;  
H01H 23/00; H01H 23/02; H01H 23/025;  
H01H 23/04; H01H 23/145; H01H  
23/148; H01H 23/205; H01H 23/30;  
H01H 51/088; H01H 83/02; H01H 83/04;  
H01H 83/144; H05B 33/0803; H05B  
33/0863; H05B 37/02; H05B 37/0254;  
H05B 37/0272; H05B 39/02; H05B  
39/04; H05B 39/085; H05B 39/086;  
H05B 39/088; H01R 13/713; H01R  
13/7135

See application file for complete search history.

(56) **References Cited**

U.S. PATENT DOCUMENTS

5,696,350 A \* 12/1997 Anker ..... H02G 3/14  
174/66  
D534,875 S \* 1/2007 Wu ..... D13/169  
7,190,125 B2 \* 3/2007 McDonough ..... H05B 37/0209  
307/115  
D576,566 S \* 9/2008 Wu ..... D13/169  
D576,961 S \* 9/2008 Kidman ..... D13/169  
D583,335 S \* 12/2008 Ni ..... D13/169  
D583,337 S \* 12/2008 Ni ..... D13/171

(Continued)

*Primary Examiner* — Selina Sikder

(74) *Attorney, Agent, or Firm* — Ziegler IP Law Group,  
LLC

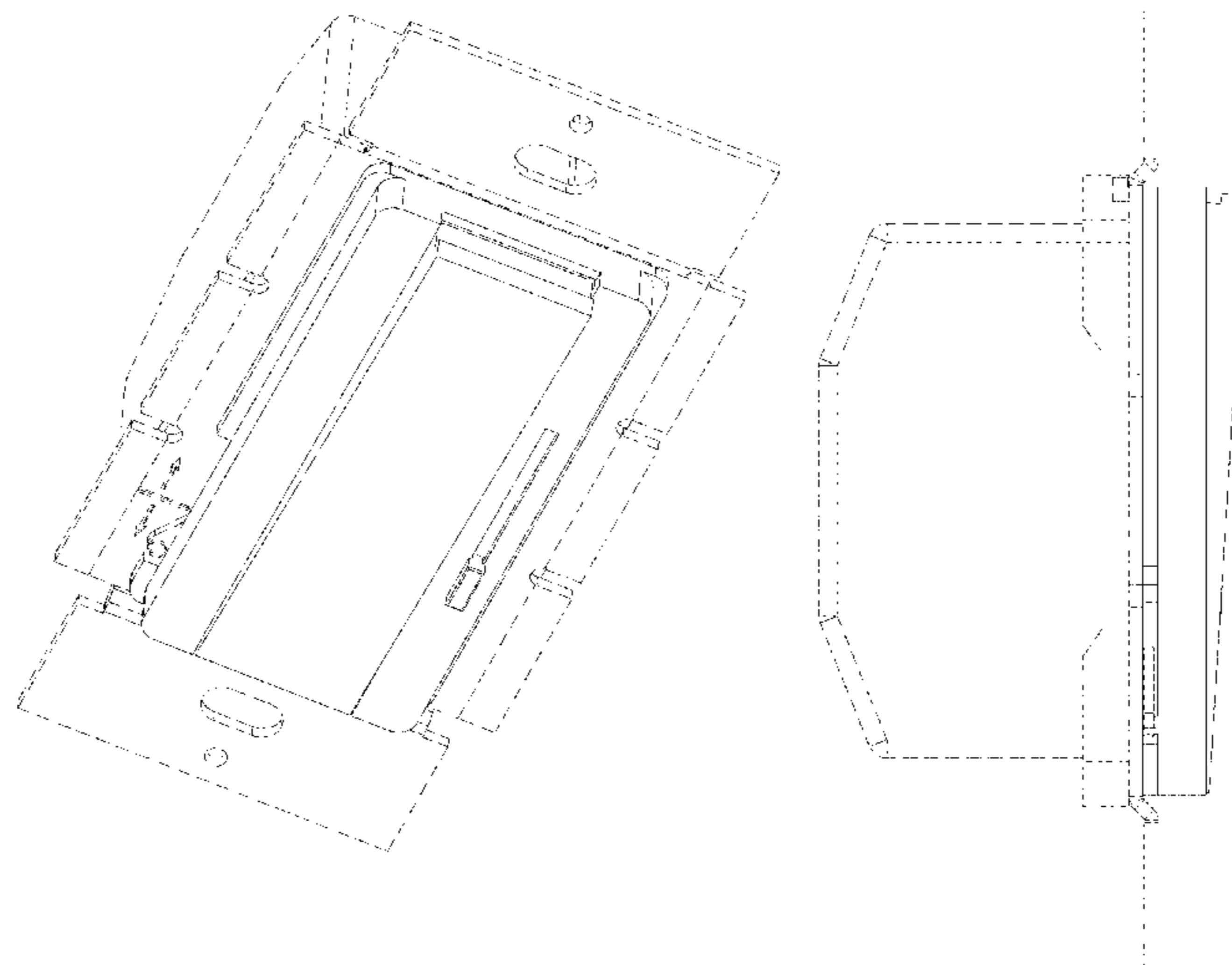
(57) **CLAIM**

The ornamental design for a dimmer switch, as shown and described.

**DESCRIPTION**

FIG. 1 is a front perspective view of a dimmer switch incorporating aspects of the disclosed embodiments;  
FIG. 2 is a right side perspective view of the dimmer switch shown in FIG. 1;  
FIG. 3 is a front view of the dimmer switch shown in FIG. 1;  
FIG. 4 is a back view of the dimmer switch shown in FIG. 1;  
FIG. 5 is a top view of the dimmer switch shown in FIG. 1;  
FIG. 6 is a bottom view of the dimmer switch shown in FIG. 1;  
FIG. 7 is a right side view of the dimmer switch shown in FIG. 1; and,  
FIG. 8 is a left side view of the dimmer switch shown in FIG. 1.  
The broken lines are for illustrative purposes only and form no part of the claimed design.

**1 Claim, 8 Drawing Sheets**



(56)

**References Cited**

U.S. PATENT DOCUMENTS

7,667,155 B1 \* 2/2010 Ni ..... H01H 23/145  
200/331  
D613,699 S \* 4/2010 Goyal ..... D13/177  
7,777,145 B2 \* 8/2010 Burrell ..... H05B 37/0263  
200/330  
D649,122 S \* 11/2011 Jacoby ..... D13/162  
8,459,812 B2 \* 6/2013 Wu ..... H01H 23/025  
200/335  
8,853,893 B2 \* 10/2014 Savicki, Jr. .... H05B 33/0815  
200/339  
D733,075 S \* 6/2015 Junko ..... D13/169  
D740,766 S \* 10/2015 Falkenberg ..... D13/169  
D777,685 S \* 1/2017 Tannous ..... D13/169  
D787,451 S \* 5/2017 Tress ..... D13/169  
D797,061 S \* 9/2017 Lacey ..... D13/169  
2005/0115818 A1 \* 6/2005 Kurek ..... H01H 23/025  
200/553  
2009/0167098 A1 \* 7/2009 Kalatizadeh ..... H03K 17/94  
307/116  
2012/0292174 A1 \* 11/2012 Mah ..... H01H 3/227  
200/573

\* cited by examiner

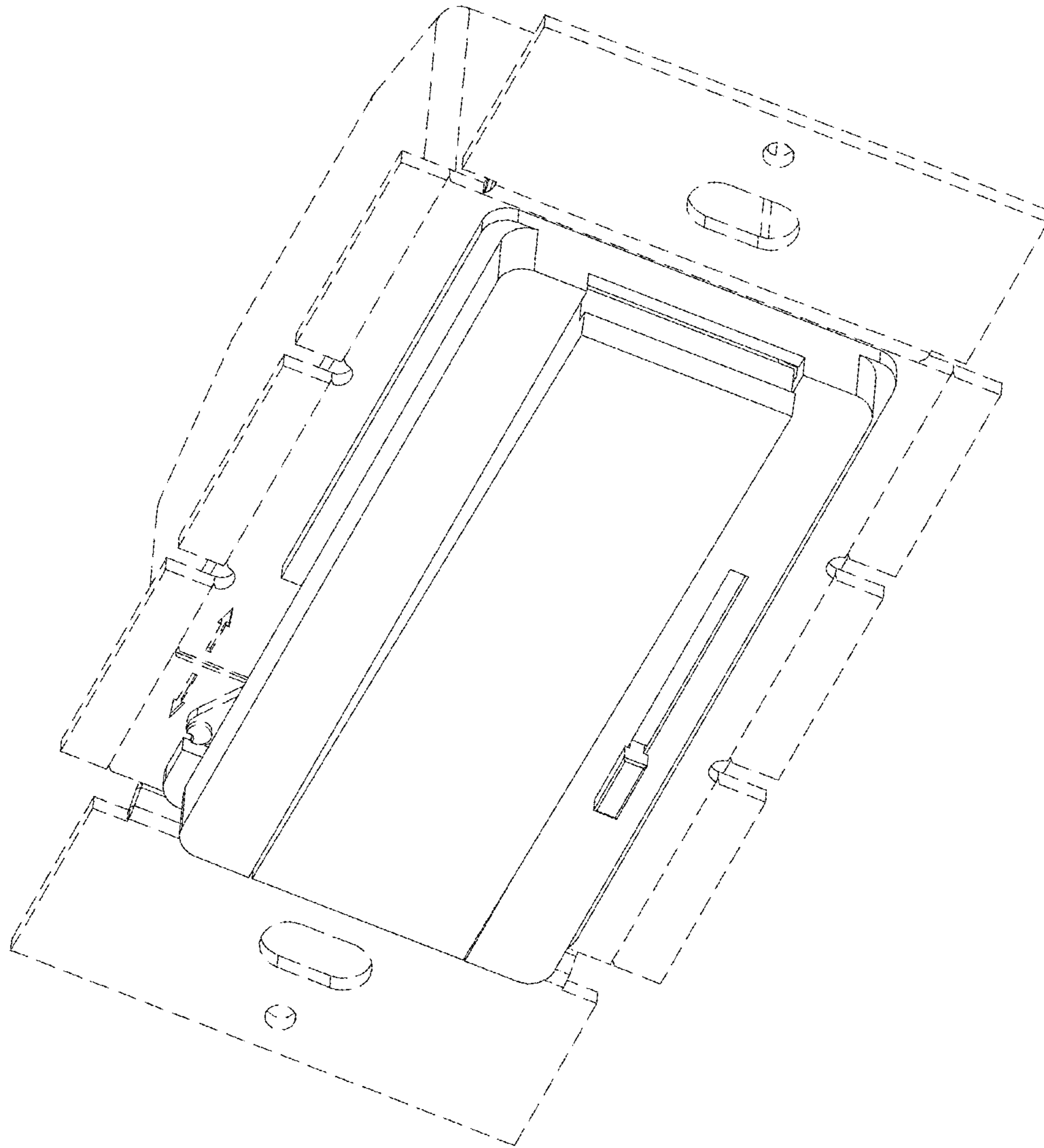


FIG. 1

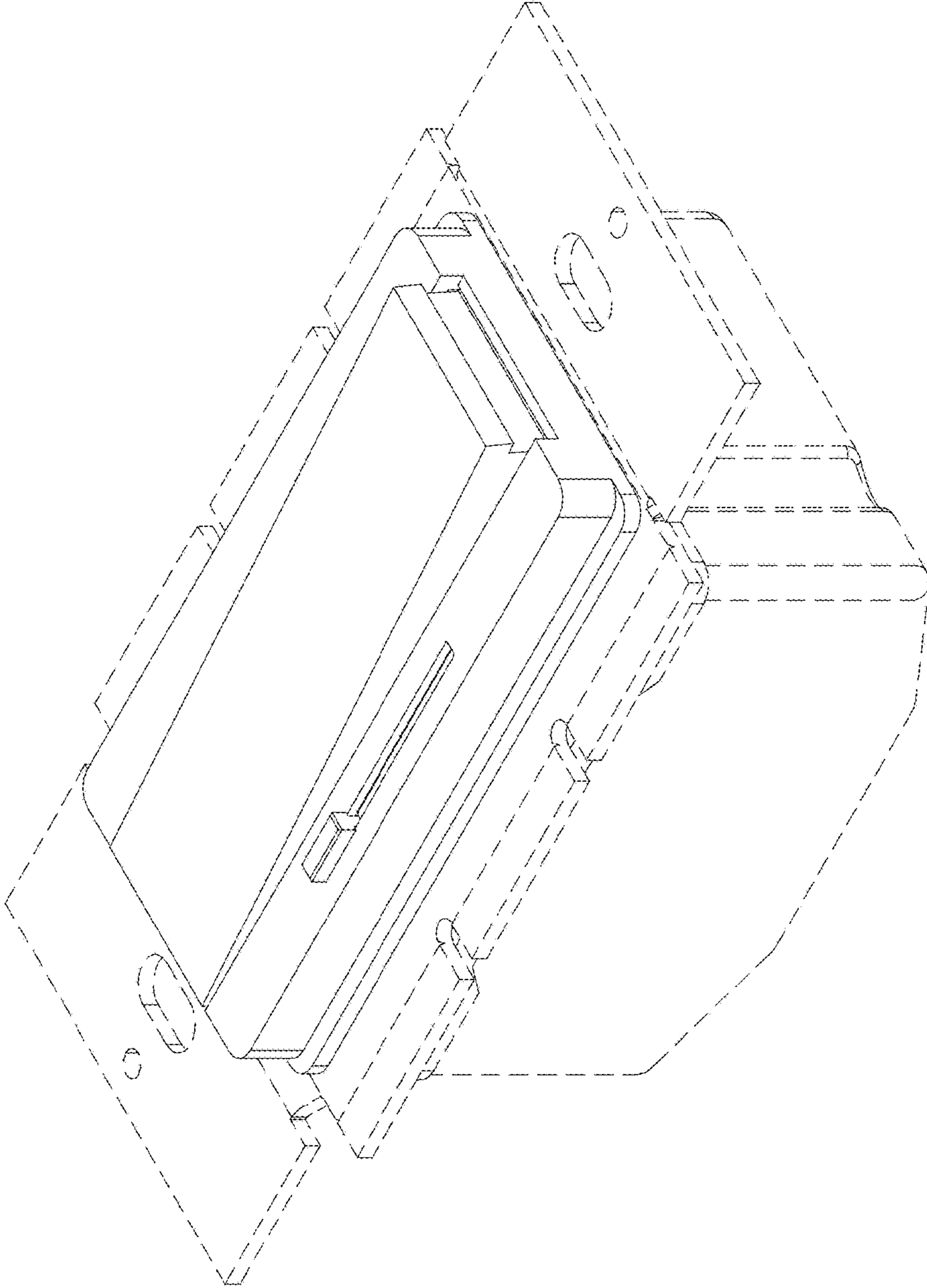


FIG. 2

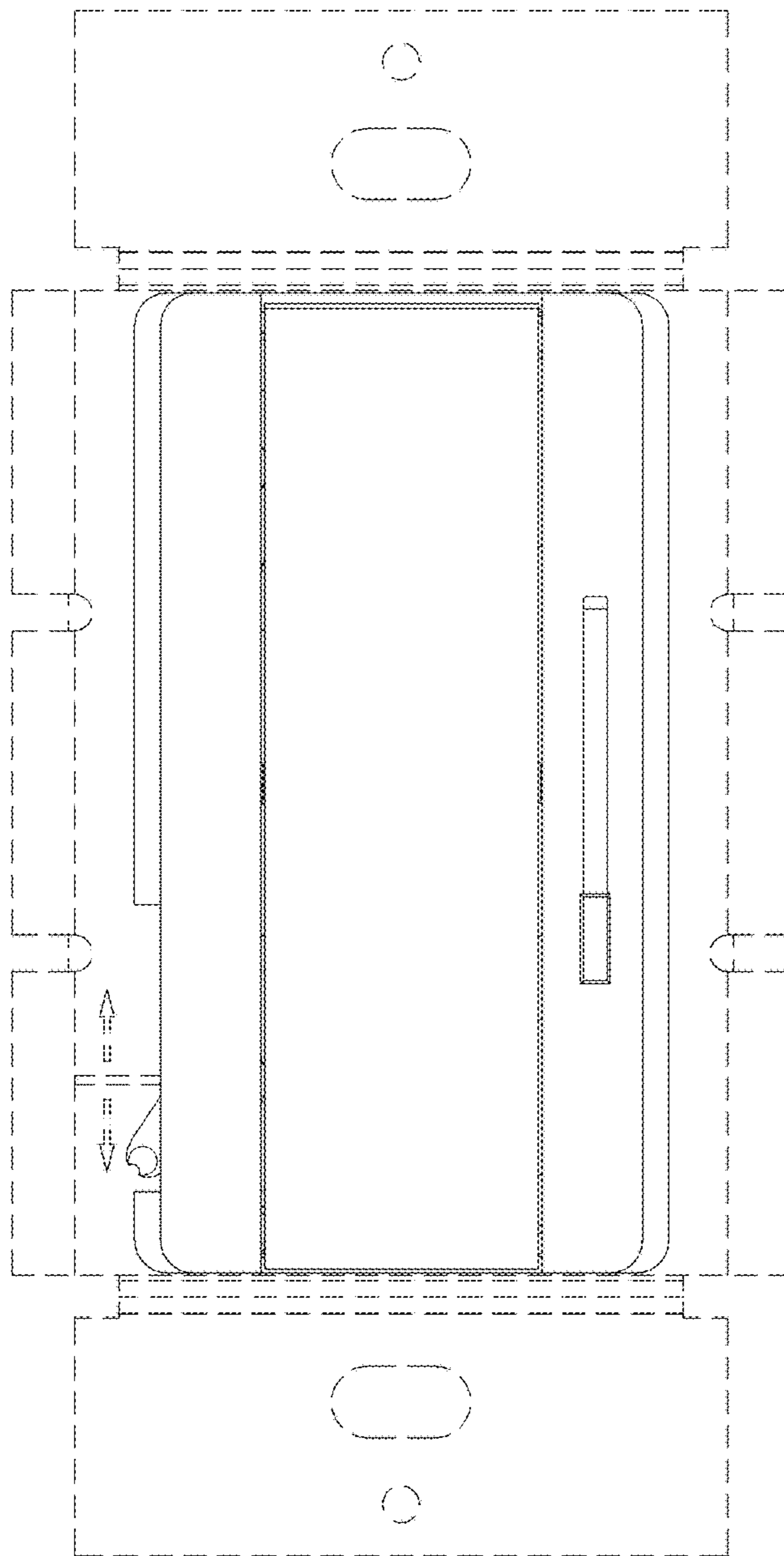


FIG. 3

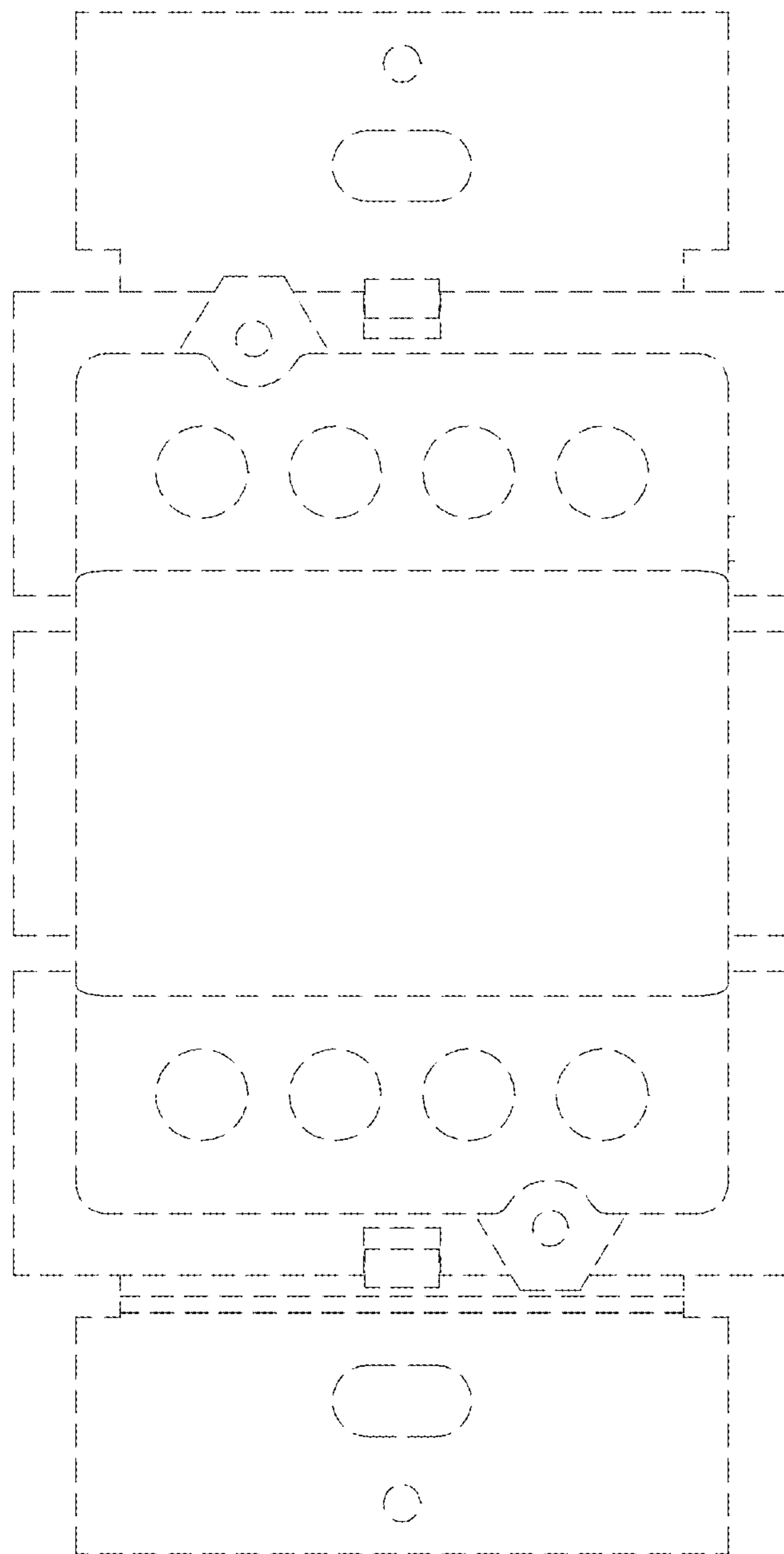


FIG. 4

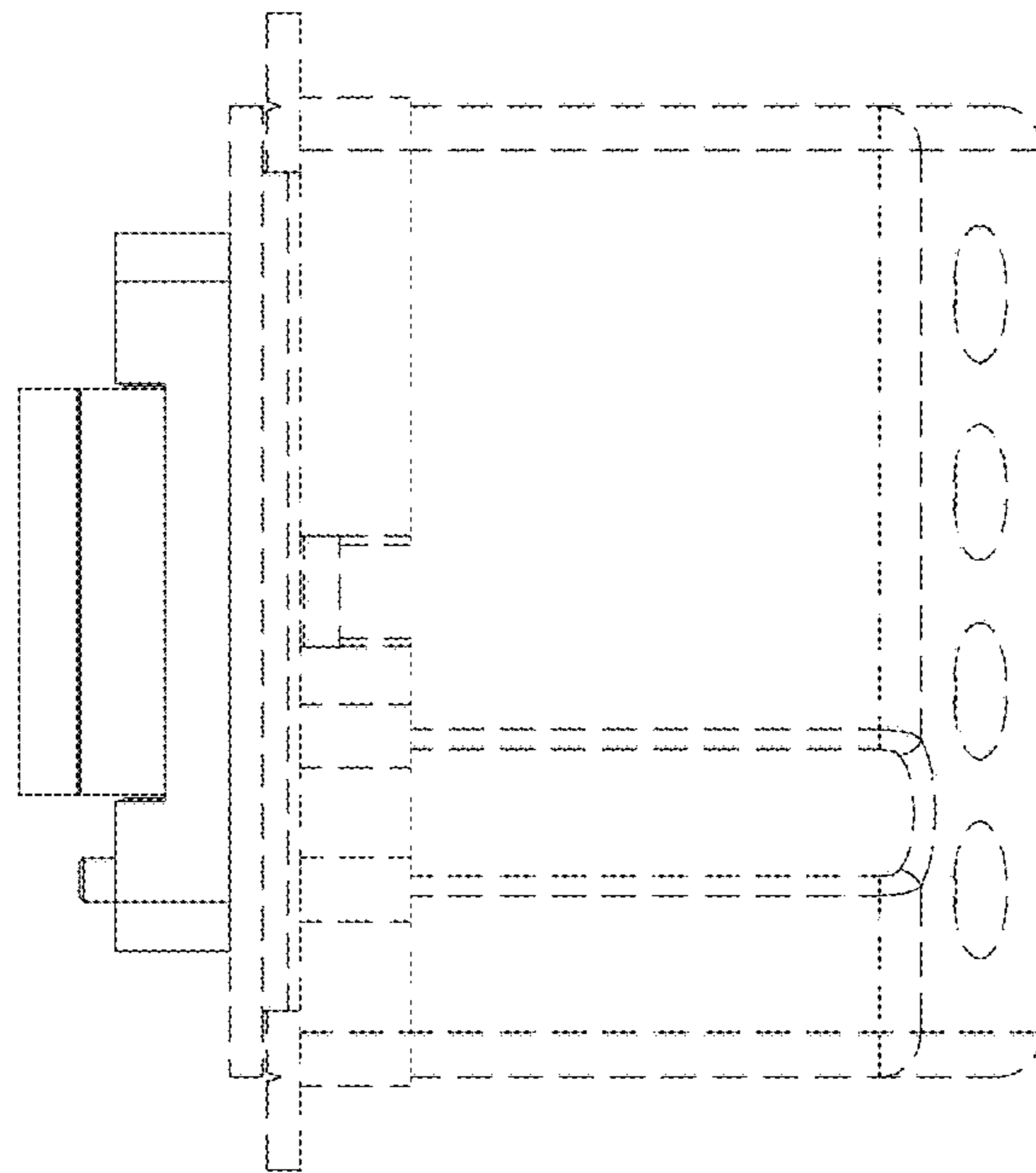


FIG. 5

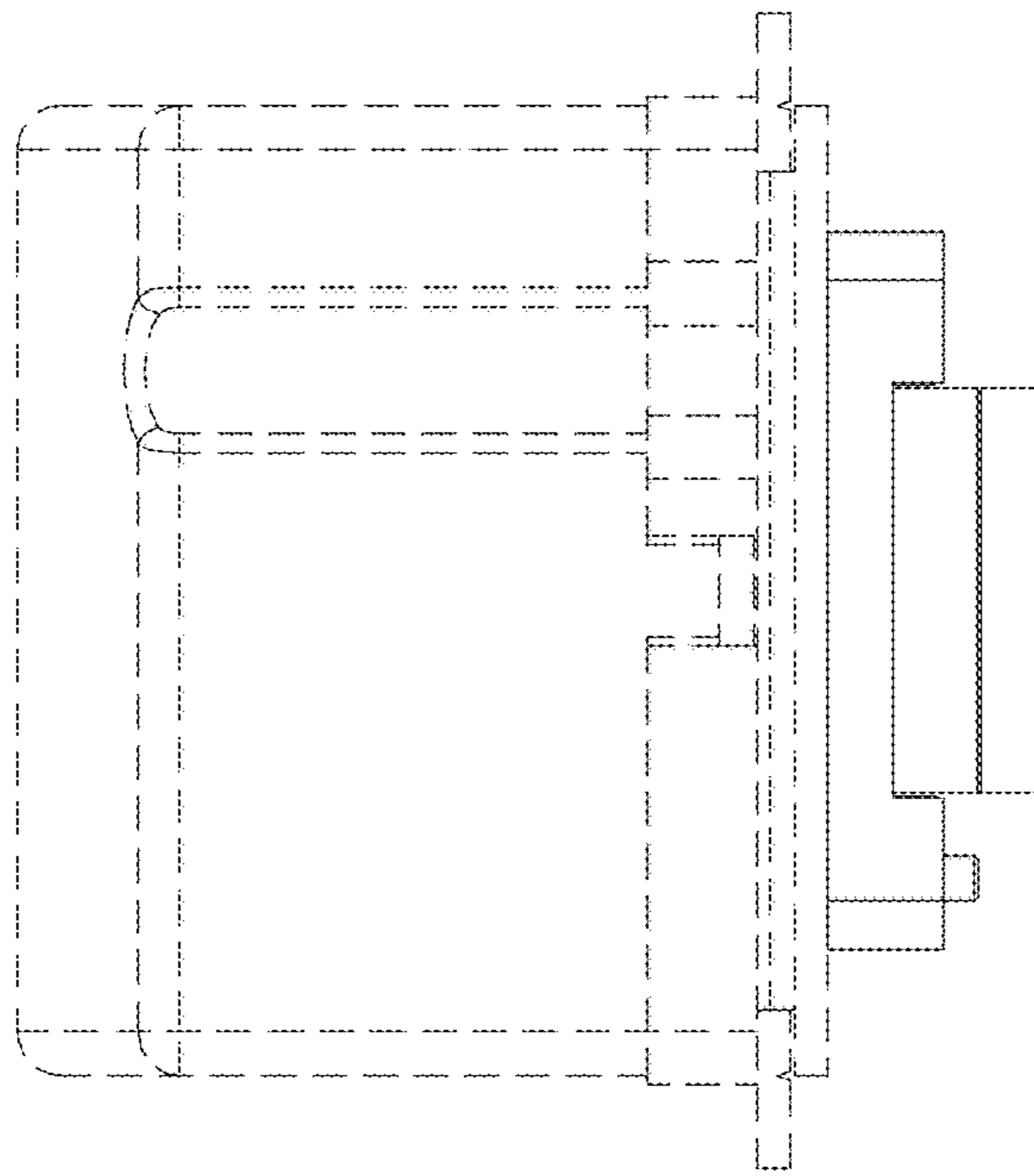


FIG. 6



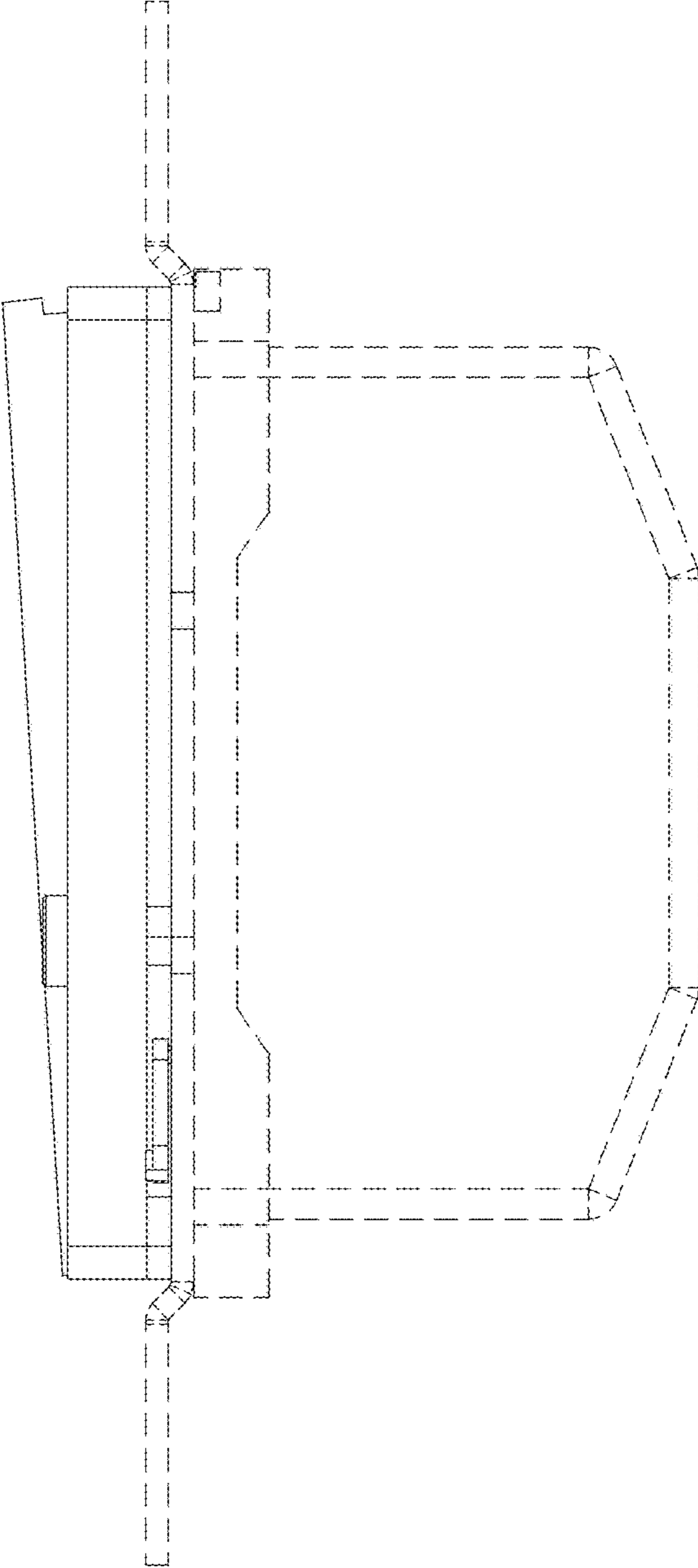


FIG. 7

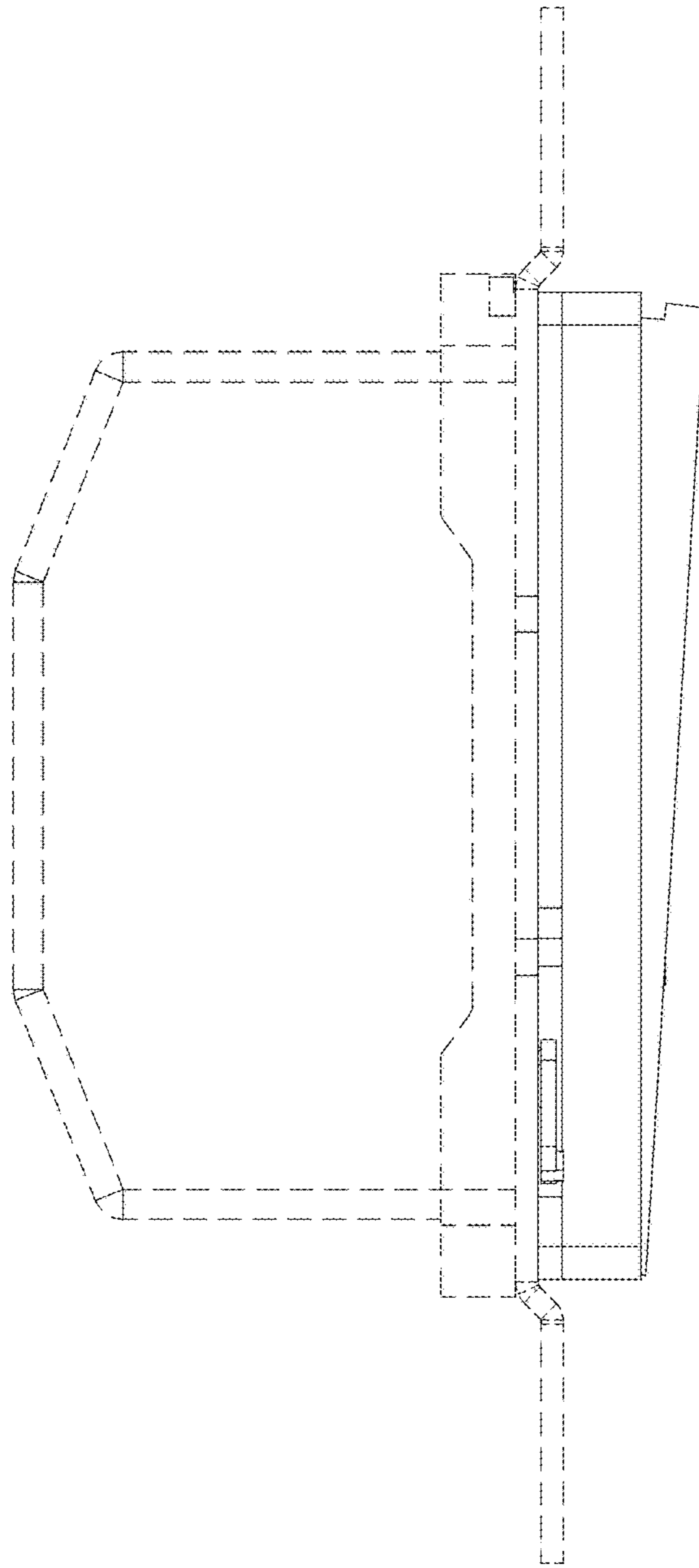


FIG. 8