



US00D837166S

(12) **United States Design Patent**
Matuszeski et al.

(10) **Patent No.:** **US D837,166 S**
(45) **Date of Patent:** **** Jan. 1, 2019**

(54) **OPERATING CONTROL DEVICE FOR AN UNMANNED AERIAL VEHICLE**

(71) Applicant: **AeroVironment, Inc.**, Monrovia, CA (US)

(72) Inventors: **Thaddeus Benjamin Matuszeski**, Pasadena, CA (US); **Andrew Logan**, Thousand Oaks, CA (US)

(73) Assignee: **AEROVIRONMENT, INC.**, Monrovia, CA (US)

(**) Term: **15 Years**

(21) Appl. No.: **29/584,179**

(22) Filed: **Nov. 11, 2016**

(51) **LOC (11) Cl.** **03-03**

(52) **U.S. Cl.**
USPC **D13/168**

(58) **Field of Classification Search**
USPC ... D14/137, 496, 203.1, 203.3, 203.4, 203.7, D14/129-130, 147, 218, 247, 248, 250, D14/385, 388, 389, 420, 426, 439, 138 R, D14/138 G, 341-347, 443, 454, 197; D10/70; D13/162, 168
CPC . A65H 33/3016; G06F 1/1613; G06F 1/1647; G06F 1/1641; G06F 3/04883; G06F 3/0486; G06F 3/04847; G06F 3/04845; G06F 3/0484; H04M 1/0279; H04M 1/0281; H04M 1/0283
See application file for complete search history.

(56) **References Cited**

U.S. PATENT DOCUMENTS

D456,805 S * 5/2002 Ono D14/342
D571,757 S * 6/2008 Kesler D14/137
D645,041 S * 9/2011 Morton D14/341
D672,767 S * 12/2012 Yoneya D14/341

8,584,847 B2 * 11/2013 Tages G06F 1/1633 206/320
D703,665 S * 4/2014 Suzuki D14/341
D717,781 S * 11/2014 Kim D14/250
D734,748 S * 7/2015 Chen D14/341
D734,749 S * 7/2015 Chen D14/341
D741,816 S * 10/2015 Kroll D13/168
D743,392 S * 11/2015 Ju D14/341
D744,997 S * 12/2015 Fujioka D14/341
D745,003 S * 12/2015 Carpenter D14/341
D760,216 S * 6/2016 Krause D14/341
D779,480 S * 2/2017 Abrams D14/341
D786,860 S * 5/2017 Cheung D14/341
D793,383 S * 8/2017 Cai D14/341
D793,389 S * 8/2017 Kim D14/341
D795,214 S * 8/2017 Tschopp D14/138 G
D800,083 S * 10/2017 Park D14/138 G
D807,335 S * 1/2018 Kitade D14/248
D808,918 S * 1/2018 Wei D14/138 G

* cited by examiner

Primary Examiner — Barbara Fox

(74) *Attorney, Agent, or Firm* — Brooks Acordia IP Law, PC; Pejman Yedidsion; Eric Aagaard

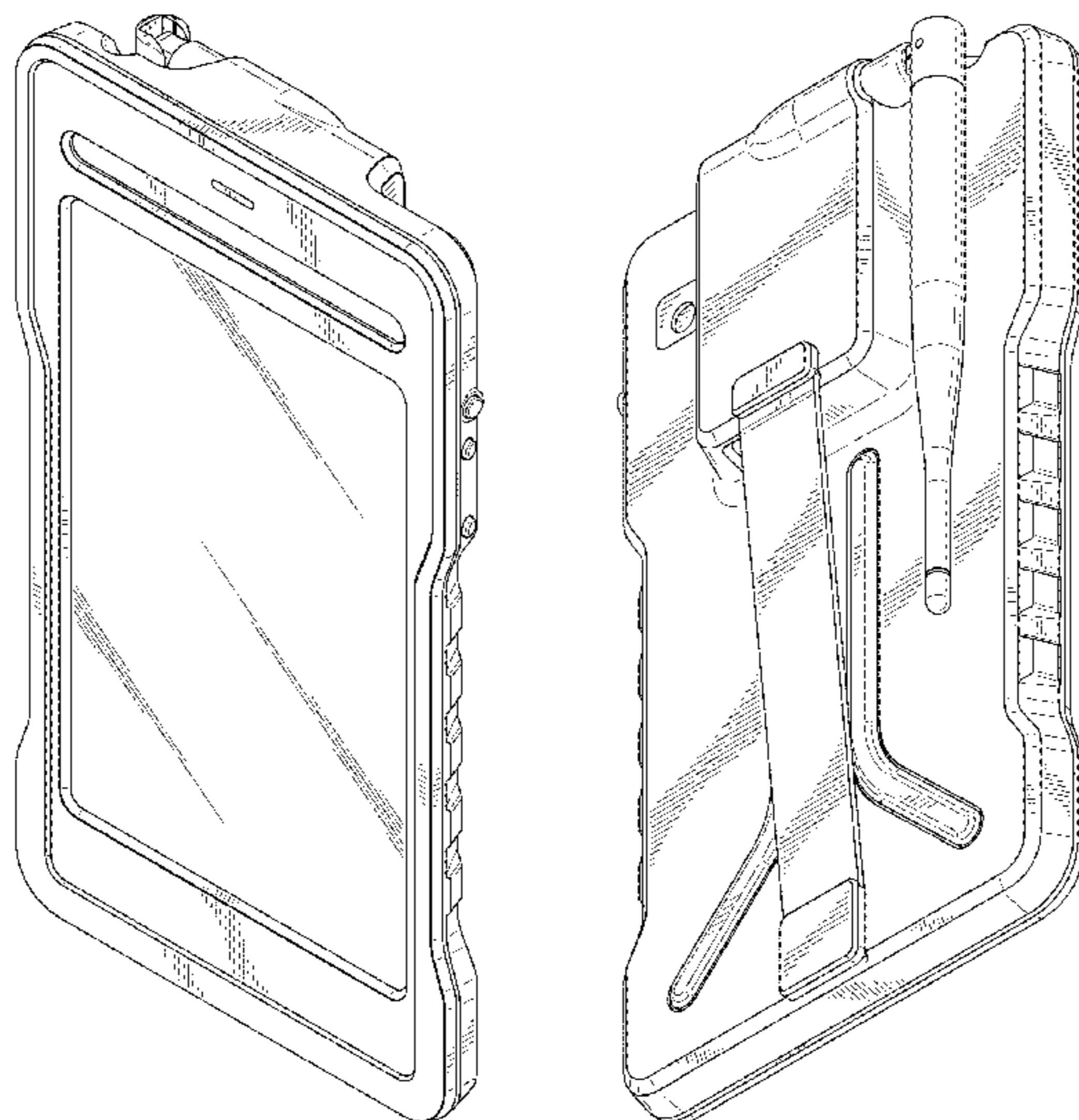
(57) **CLAIM**

The ornamental design for an operating control device for a unmanned aerial vehicle, as shown and described.

DESCRIPTION

FIG. 1 is a front perspective view of an operating control device for a unmanned aerial vehicle showing our new design;
FIG. 2 is a rear perspective view thereof;
FIG. 3 is a front elevational view thereof;
FIG. 4 is a rear elevational view thereof;
FIG. 5 is a right side elevational view thereof;
FIG. 6 is a left side elevational view thereof;
FIG. 7 is a top plan view thereof; and,
FIG. 8 is a bottom plan view thereof.

1 Claim, 6 Drawing Sheets



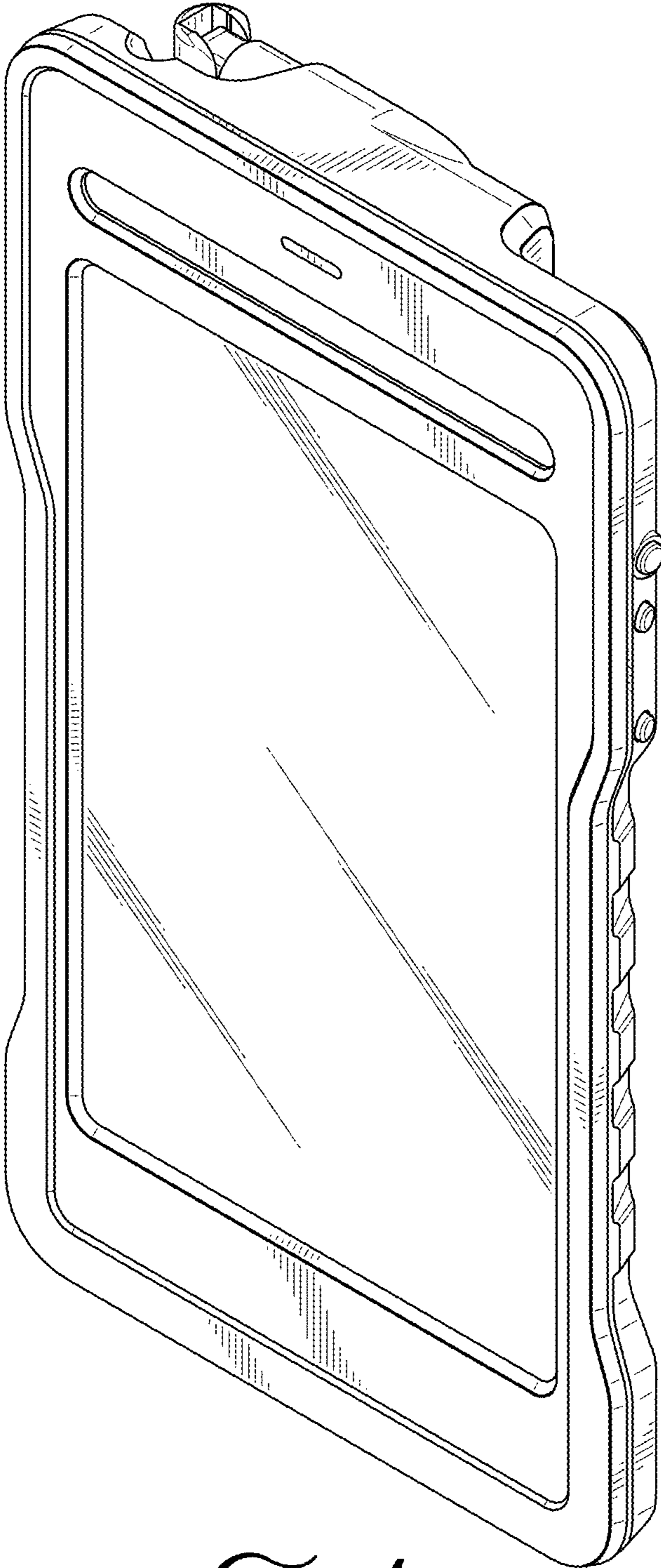


FIG. 1

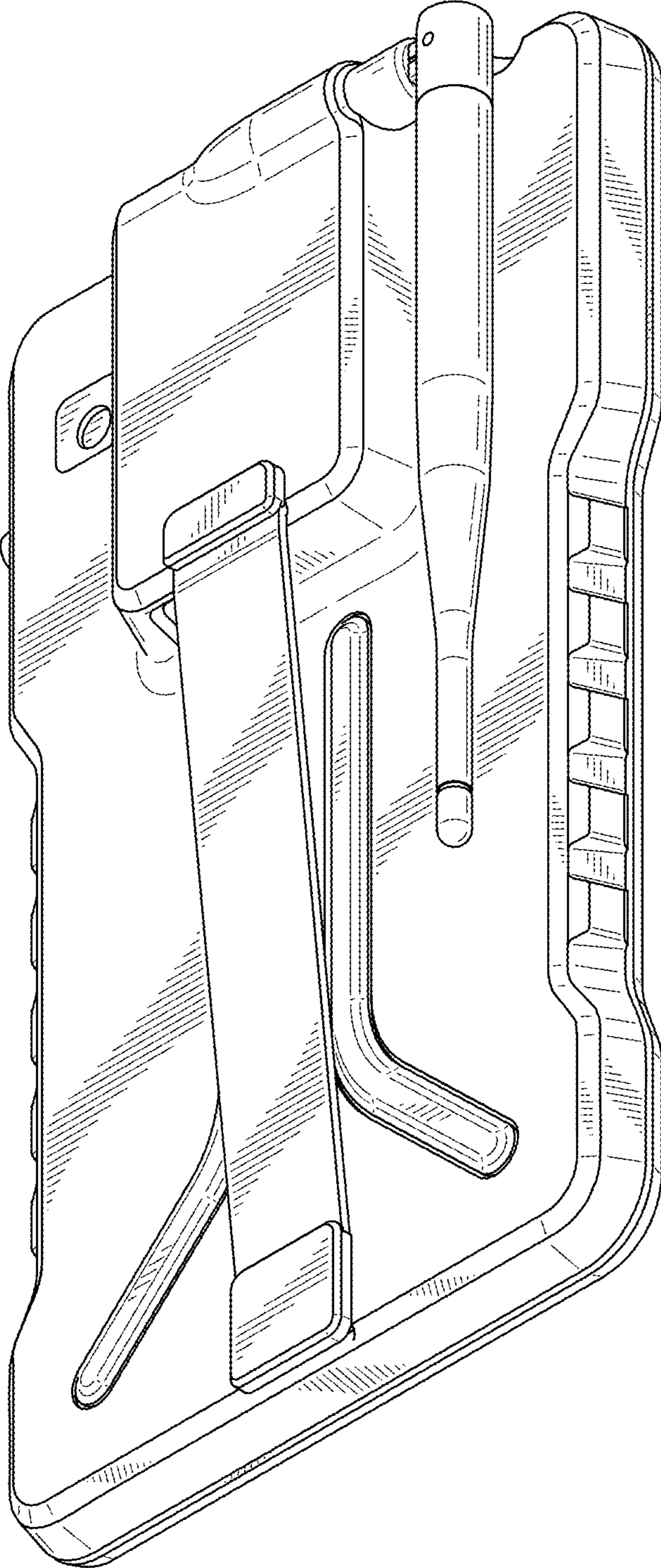


FIG. 2

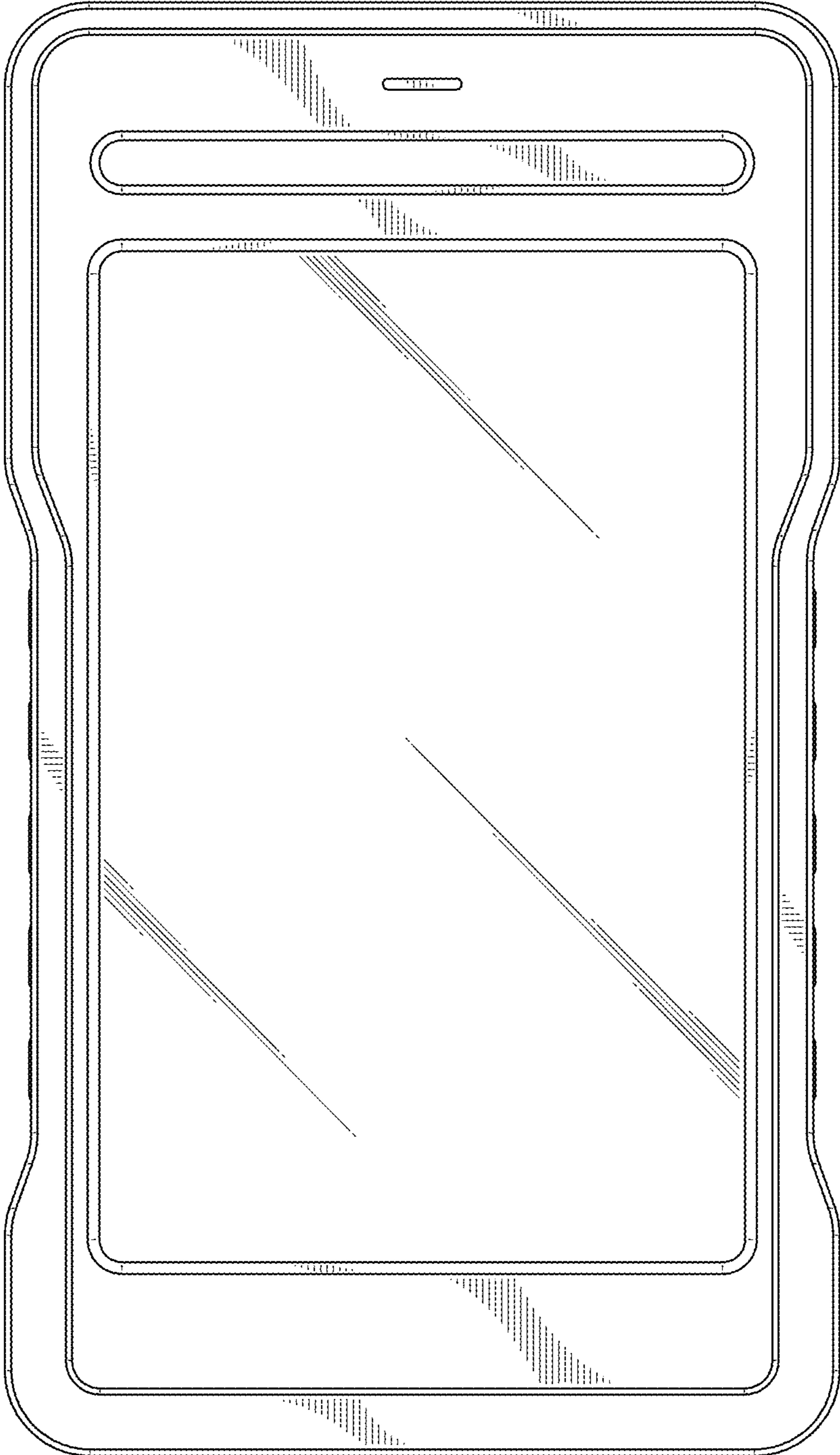


FIG. 3

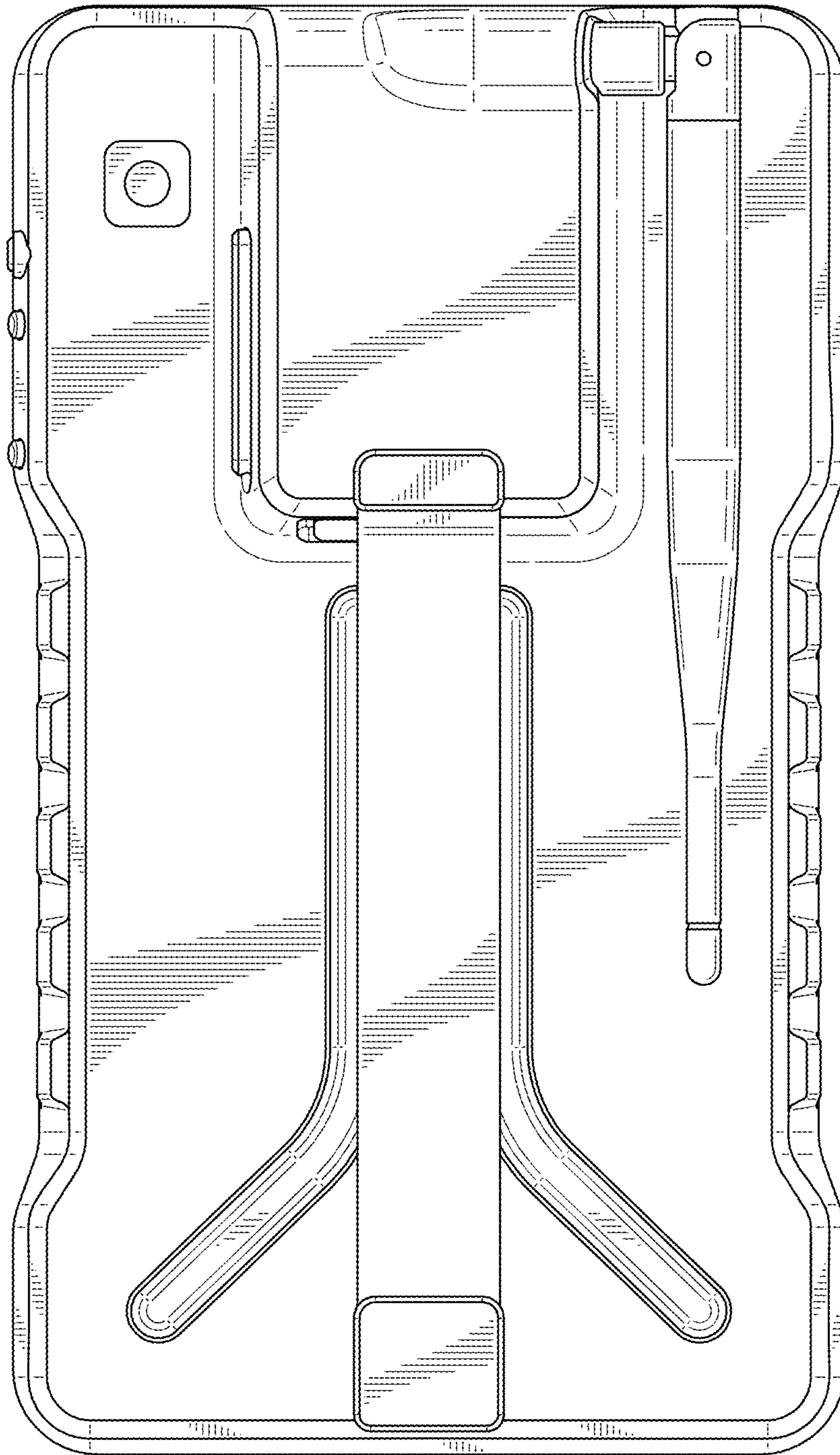


FIG. A

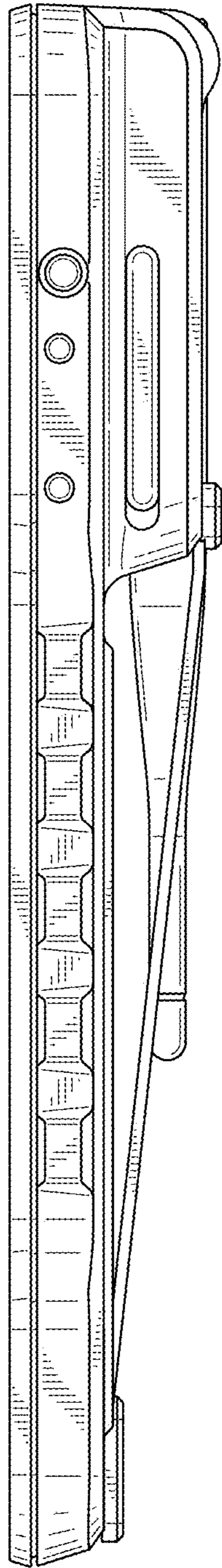


FIG. 5

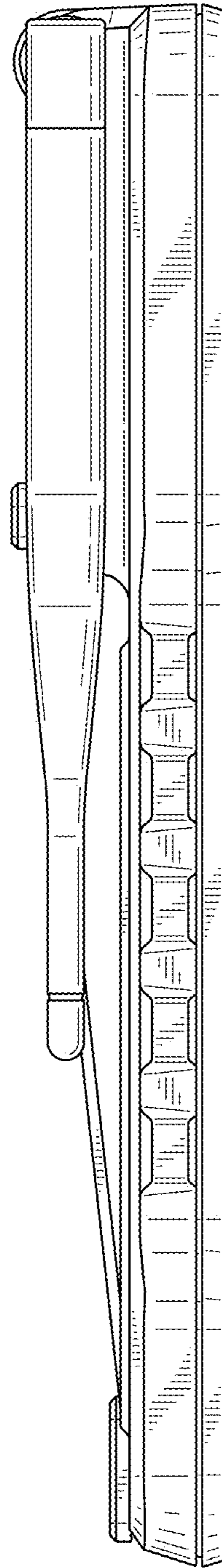


FIG. 6

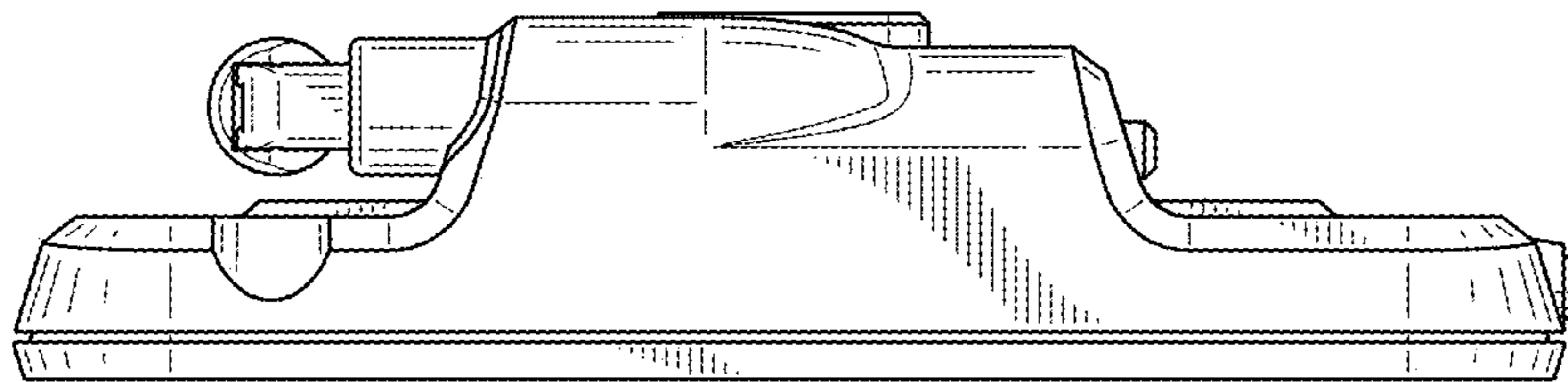


FIG. 7

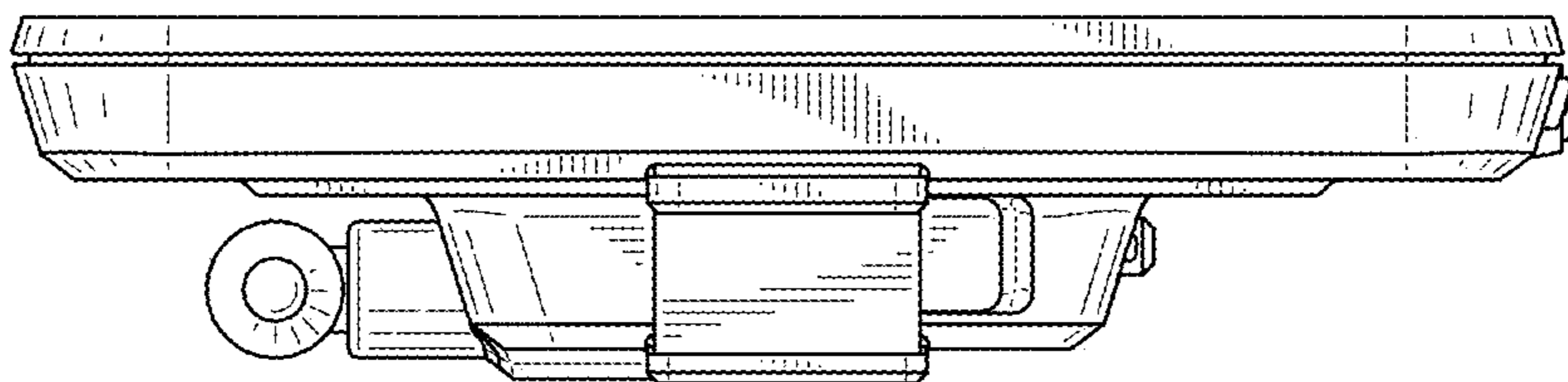


FIG. 8