



US00D837165S

(12) **United States Design Patent**
Gagné et al.

(10) **Patent No.:** **US D837,165 S**
(45) **Date of Patent:** **** Jan. 1, 2019**

- (54) **HOUSING FOR AN ACTUATOR**
- (71) Applicant: **Kongsberg Inc.**, Grand-Mère (CA)
- (72) Inventors: **Francis Gagné**, Grand-Mère (CA);
Steve Boulet, Trois-Rivières (CA);
Jonathan Nobert, Trois-Rivières (CA);
Jean-François Veillette, St-Boniface (CA);
Alexandre Frigon, St-Boniface (CA)
- (73) Assignee: **KONGSBERG INC.**, Grand-Mère, Québec (CA)
- (**) Term: **15 Years**
- (21) Appl. No.: **29/554,609**
- (22) Filed: **Feb. 12, 2016**
- (51) **LOC (11) Cl.** **13-03**
- (52) **U.S. Cl.**
USPC **D13/158**
- (58) **Field of Classification Search**
USPC D13/103, 110, 112, 118, 123, 133, 146,
D13/147, 154, 158-161, 166, 171, 169,
D13/173, 174, 178, 182, 184, 199;
D12/159, 174, 177, 400; D15/5;
D23/233
CPC .. A61B 17/28; B60N 2/02; B60N 2/66; B60R
16/03; B62D 5/04; F01D 17/10; F02B
37/00; F02B 37/02; H05K 1/02
See application file for complete search history.

(56) **References Cited**

U.S. PATENT DOCUMENTS

| | | | |
|--------------|---------|----------------|---------|
| D527,739 S | 9/2006 | De Luca et al. | |
| D571,290 S * | 6/2008 | Gebhart | D13/112 |
| D599,263 S | 9/2009 | Nagase et al. | |
| D602,411 S | 10/2009 | Nagase et al. | |
| D638,856 S * | 5/2011 | Koizumi | D15/5 |
| D658,593 S * | 5/2012 | Hsu | D13/166 |

| | | | |
|-------------------|---------|---------------|------------------------|
| D685,404 S * | 7/2013 | Andersson | D15/148 |
| D709,830 S | 7/2014 | Tanaka et al. | |
| D710,306 S | 8/2014 | Ohashi et al. | |
| D712,513 S * | 9/2014 | Kainuma | D23/233 |
| D772,125 S * | 11/2016 | Huang | D12/177 |
| D782,539 S * | 3/2017 | Fox | D15/5 |
| D783,684 S * | 4/2017 | Fox | D15/5 |
| D805,019 S * | 12/2017 | Taylor | D12/400 |
| 9,856,783 B2 * | 1/2018 | Bogner | F02B 37/00 |
| D821,957 S * | 7/2018 | Wan | D12/400 |
| 2011/0000737 A1 * | 1/2011 | Nagase | B62D 5/0406 180/444 |

(Continued)

Primary Examiner — Angela J Lee

Assistant Examiner — Shawn T Gingrich

(74) *Attorney, Agent, or Firm* — Howard & Howard
Attorneys PLLC

(57) **CLAIM**

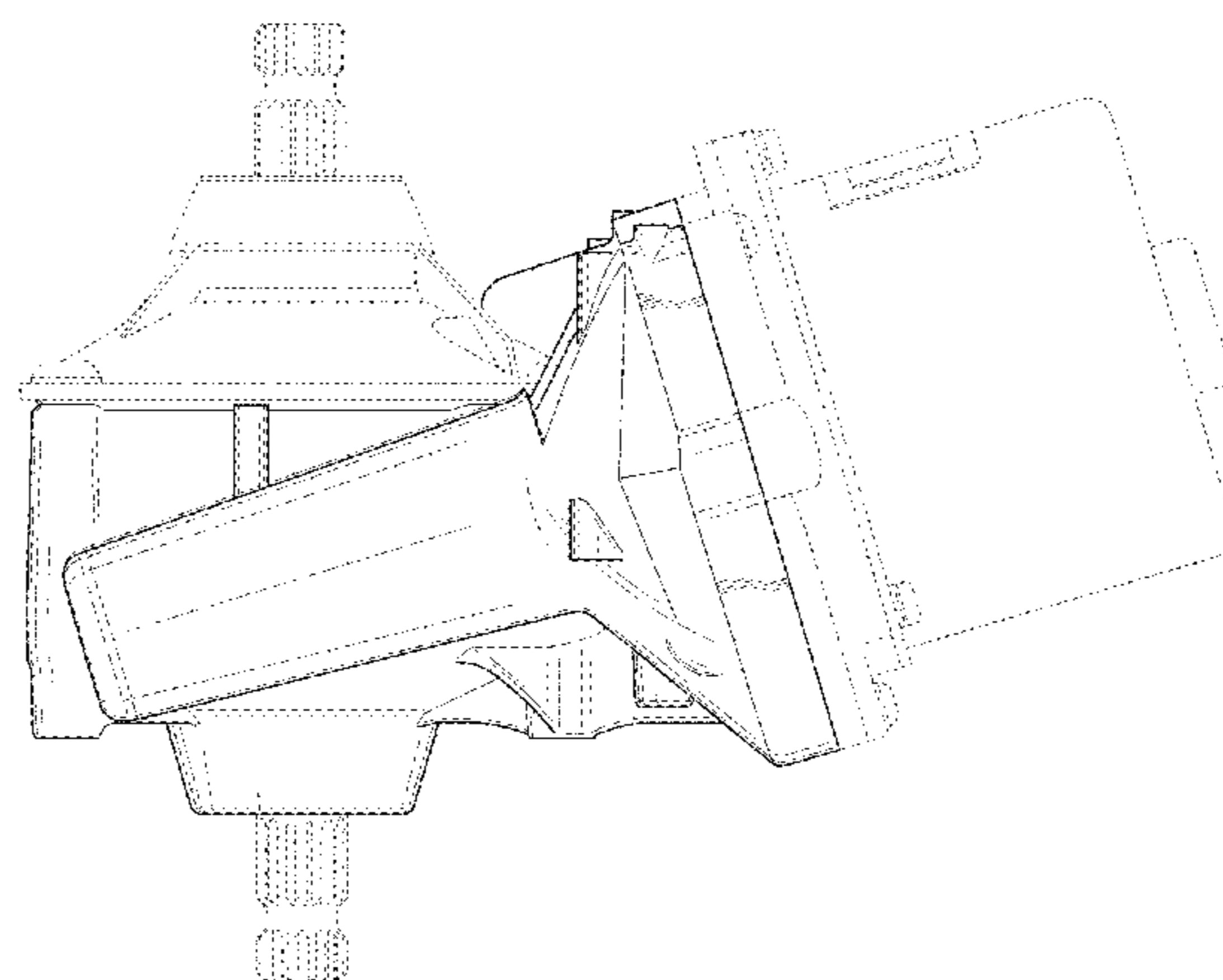
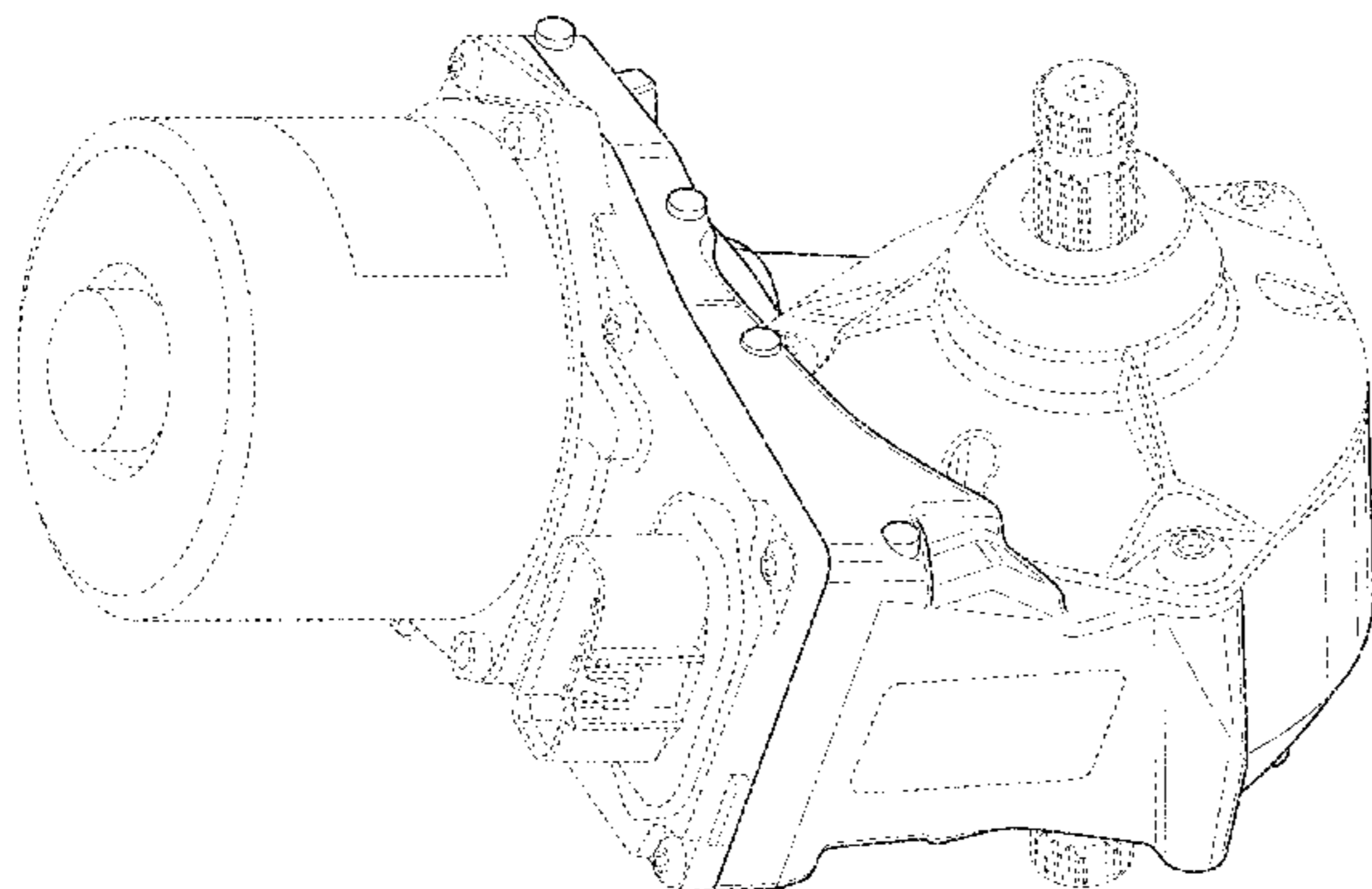
The ornamental design for a housing for an actuator, as shown and described.

DESCRIPTION

FIG. 1 is a perspective view of a housing for an actuator; FIG. 2 is a front elevational view of the housing for the actuator of FIG. 1; FIG. 3 is a rear elevational view of the housing for the actuator of FIG. 1; FIG. 4 is a right side elevational view of the housing for the actuator of FIG. 1; FIG. 5 is a left side elevational view of the housing for the actuator of FIG. 1; FIG. 6 is top elevational view of the housing for the actuator of FIG. 1; and, FIG. 7 is a bottom elevational view of the housing for the actuator of FIG. 1.

The broken lines shown in the figures are included for the purpose of illustrating portions of the housing for the actuator that form no part of the claimed design.

1 Claim, 7 Drawing Sheets



(56)

References Cited

U.S. PATENT DOCUMENTS

2013/0327036 A1* 12/2013 Bogner F01D 17/105
60/600
2016/0082908 A1* 3/2016 Nakano B62D 5/0406
307/10.1

* cited by examiner

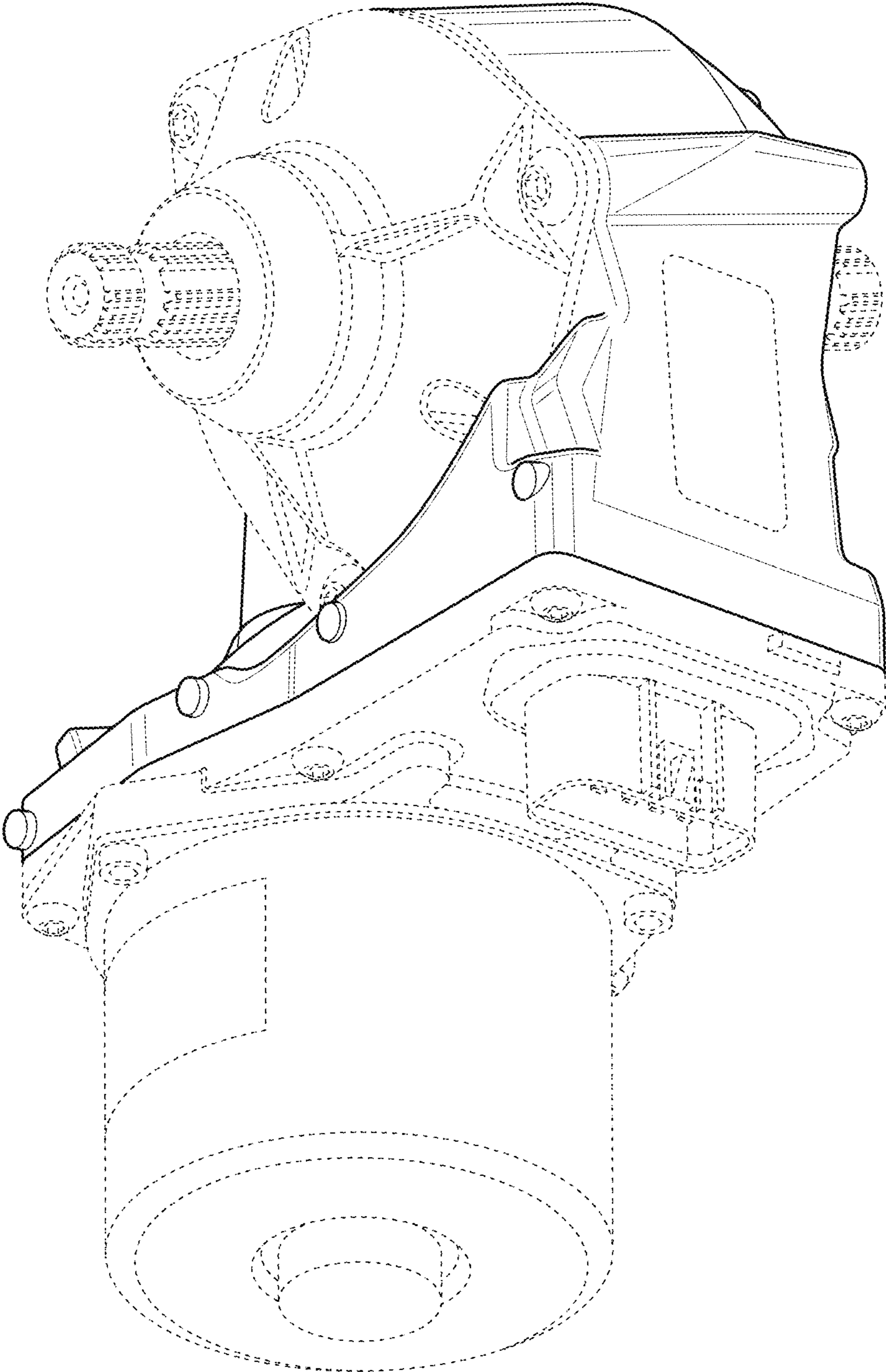
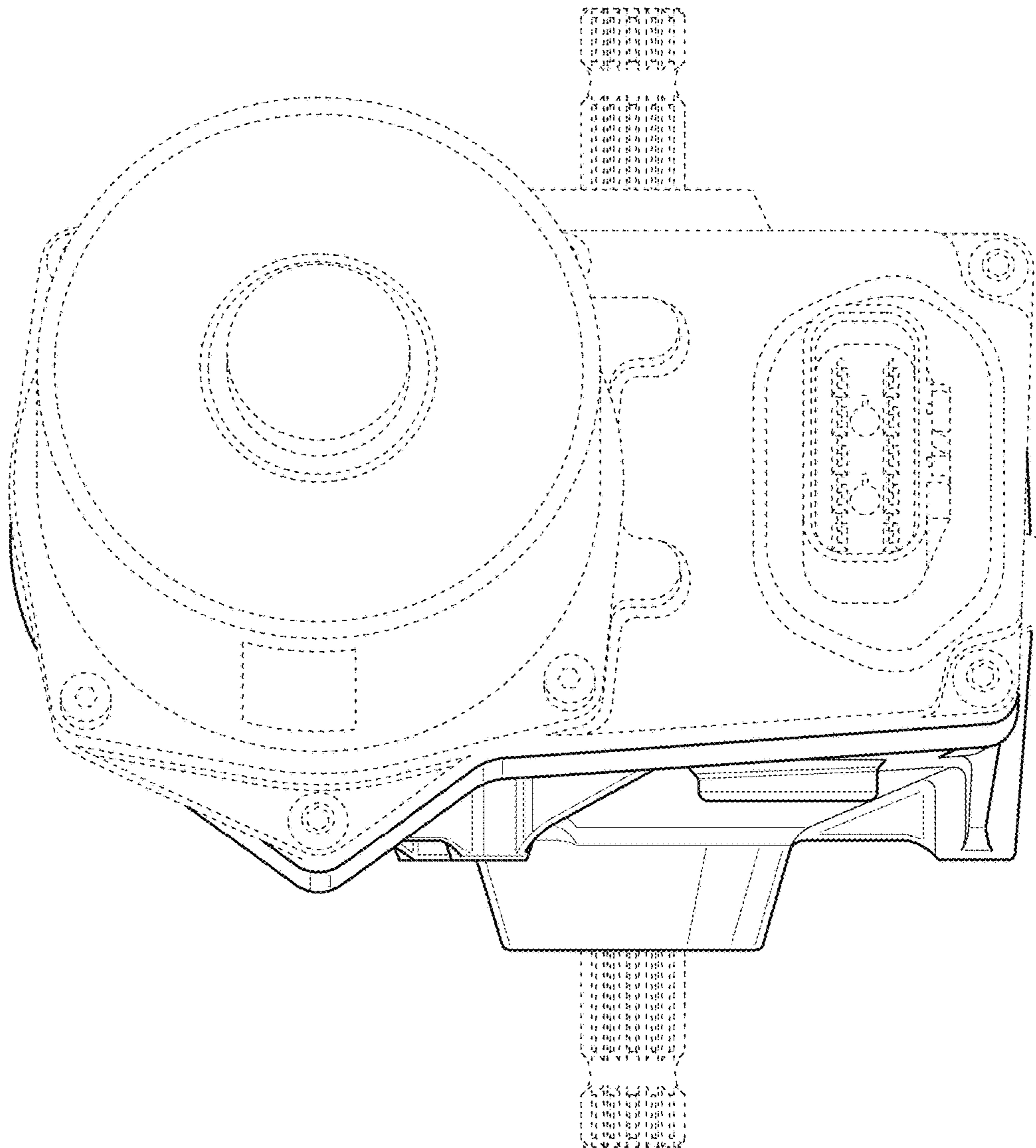


FIG. 1

FIG. 2



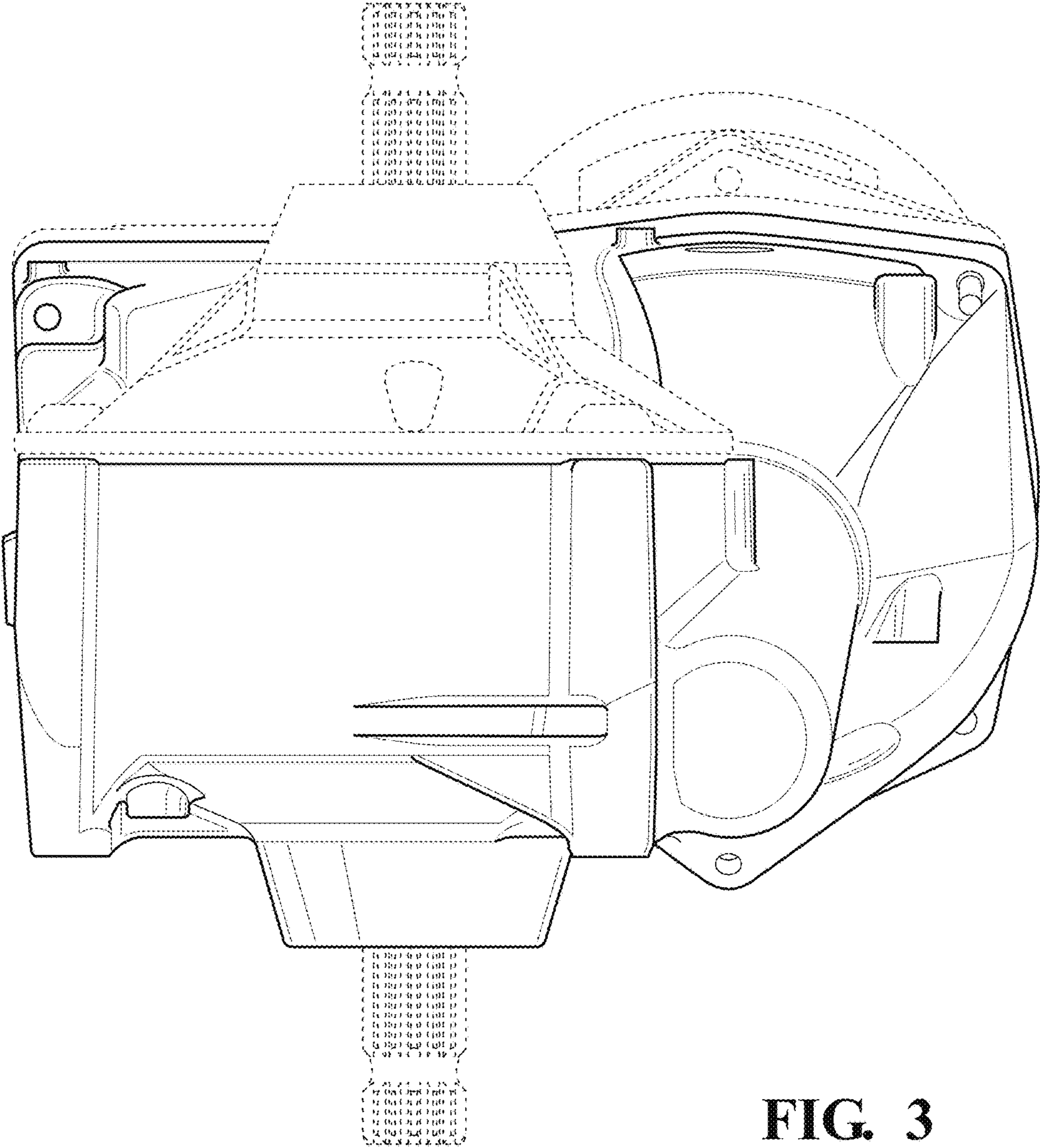


FIG. 3

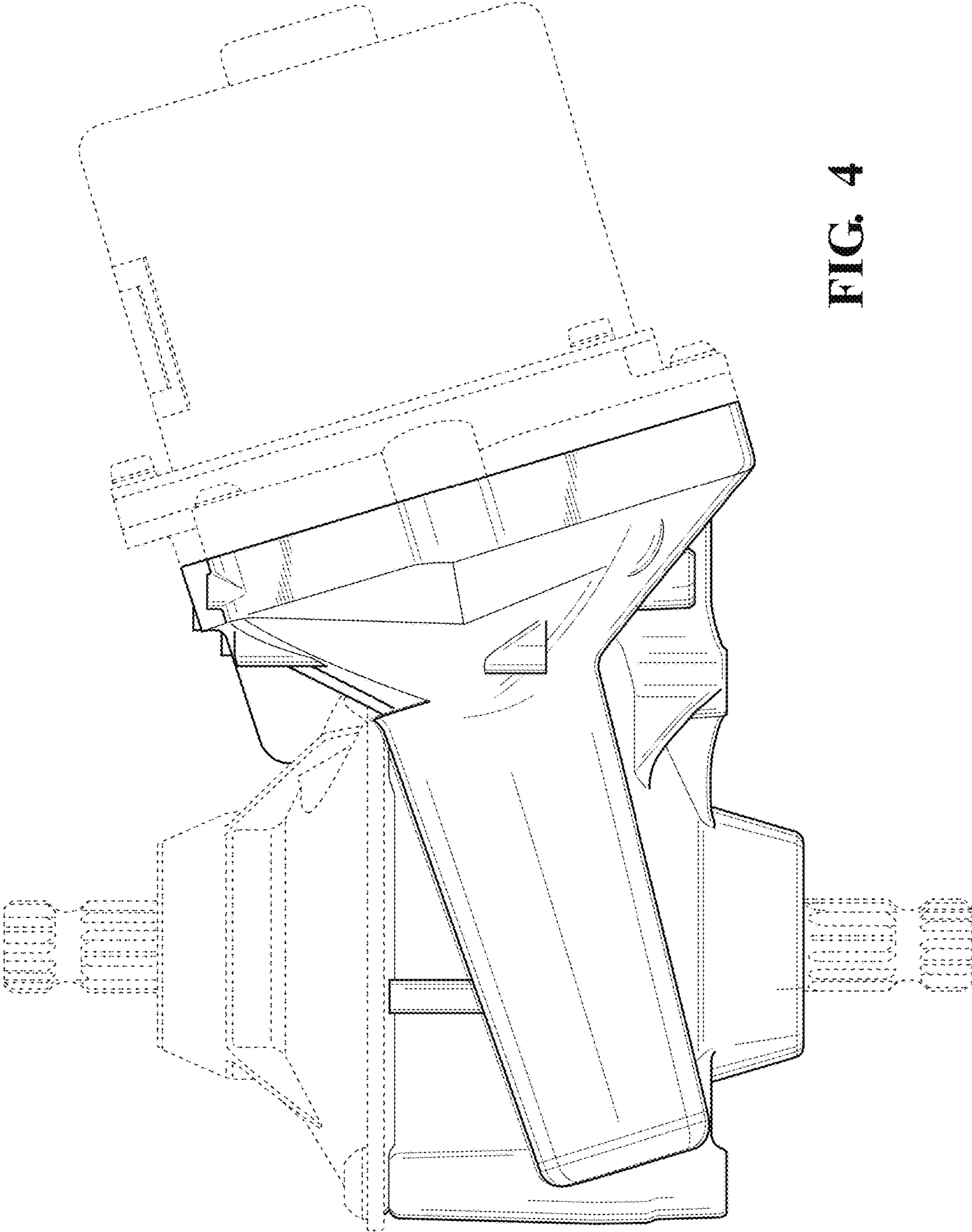


FIG. 4

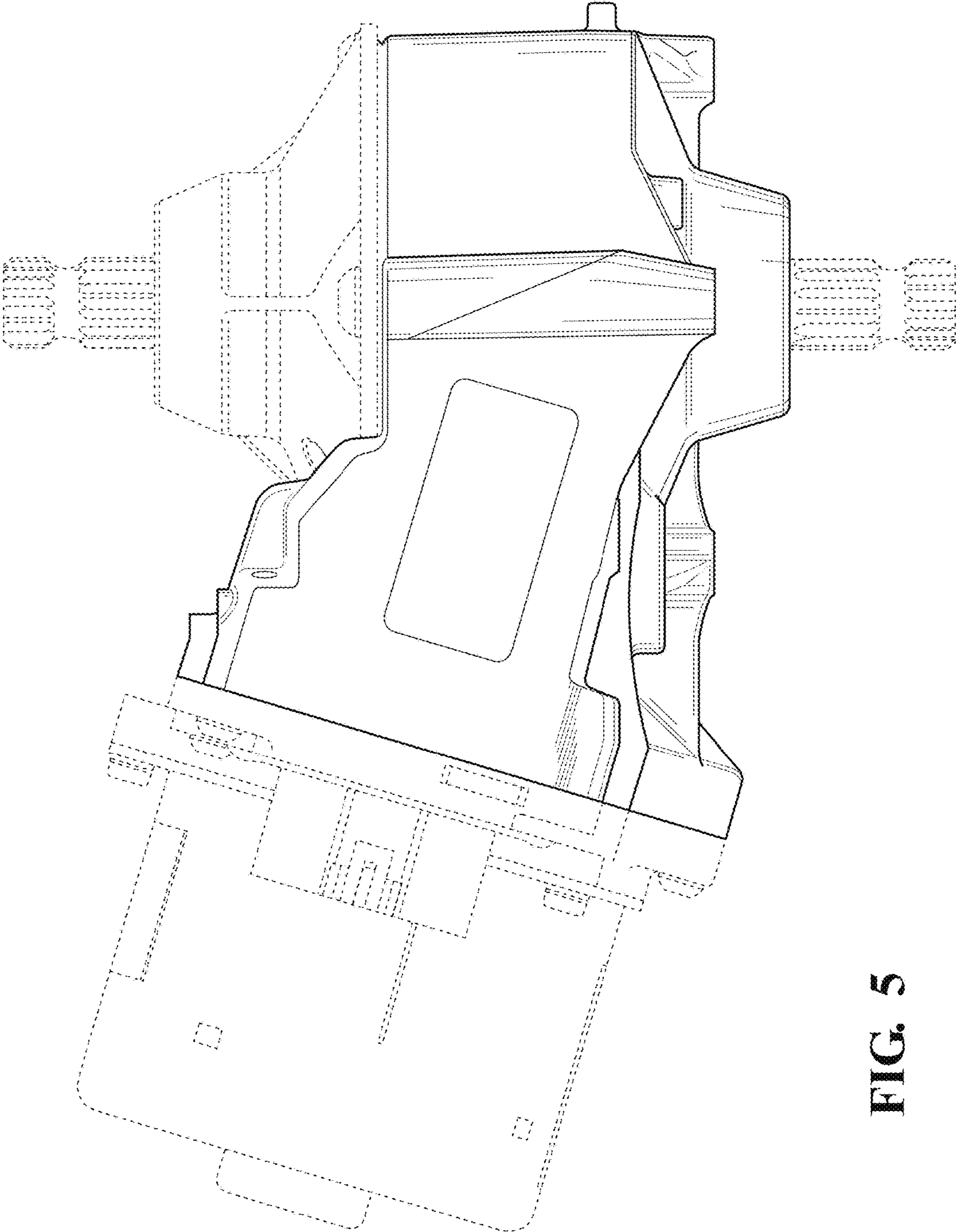
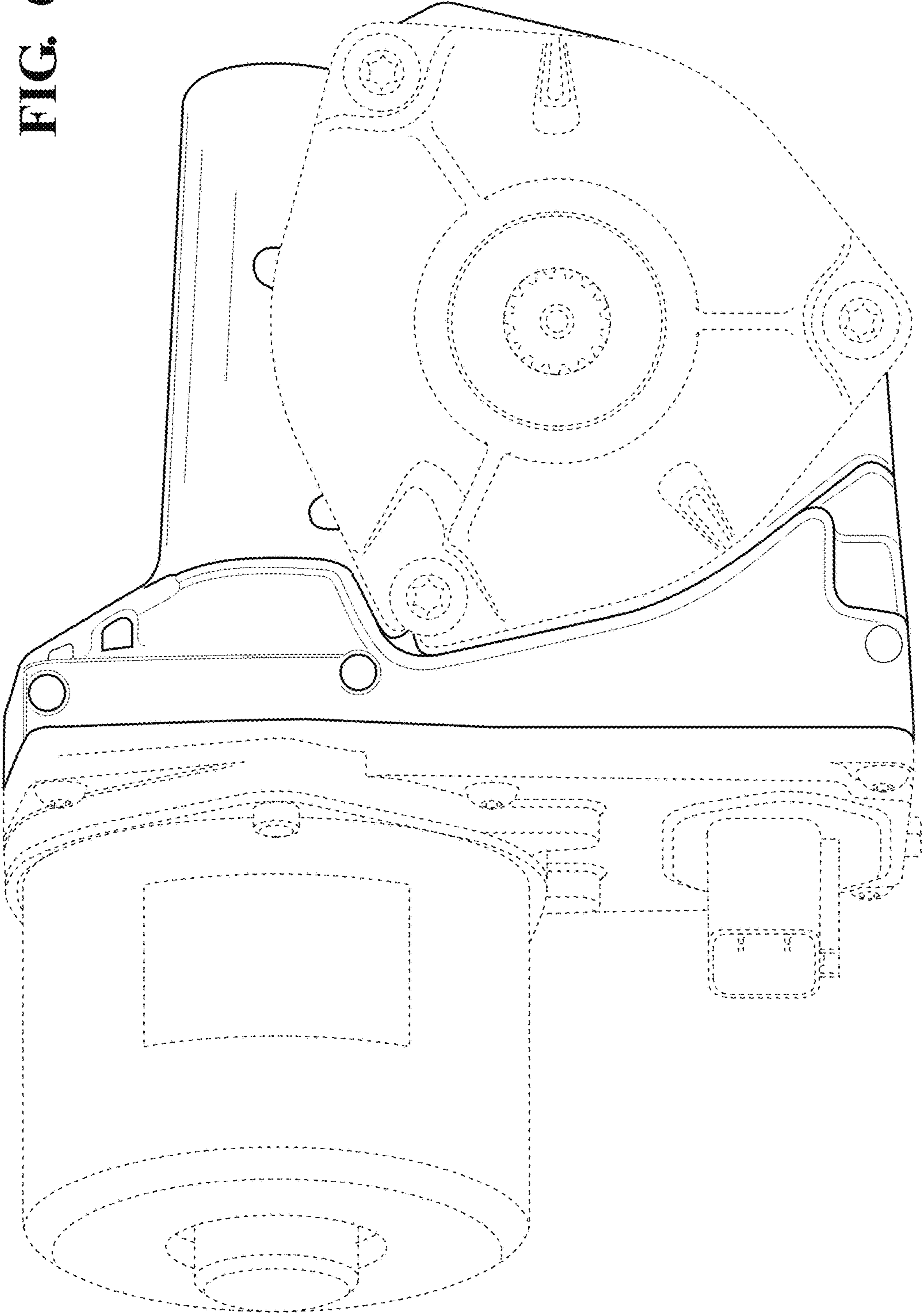


FIG. 5

FIG. 6



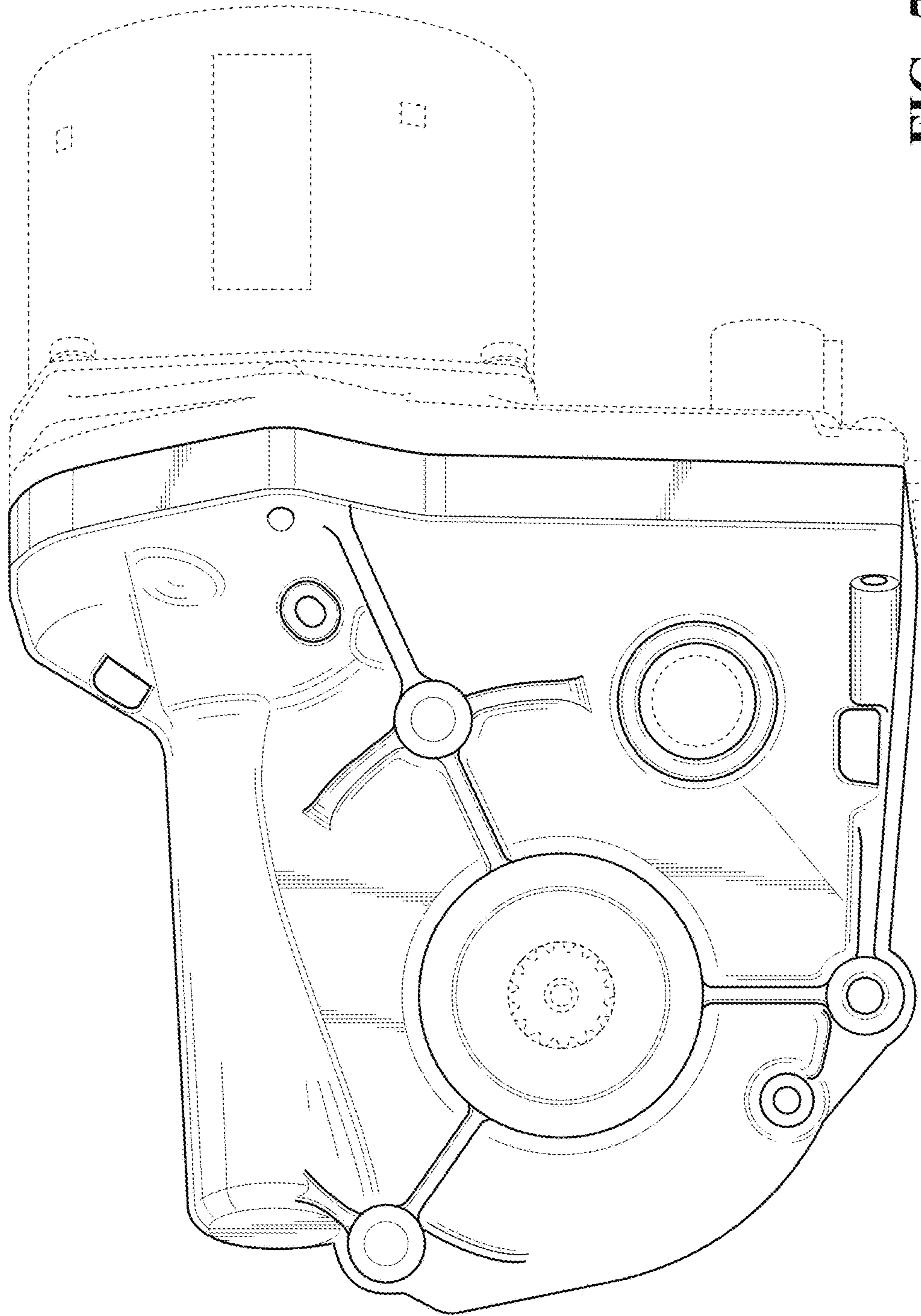


FIG. 7