

US00D837164S

(12) **United States Design Patent** (10) **Patent No.:** **US D837,164 S**  
**Tsai et al.** (45) **Date of Patent:** **\*\* Jan. 1, 2019**

(54) **RECEPTACLE ELECTRICAL CONNECTOR**

(56) **References Cited**

(71) Applicant: **Advanced Connectek Inc.**, New Taipei (TW)

U.S. PATENT DOCUMENTS

(72) Inventors: **Yu-Lun Tsai**, New Taipei (TW);  
**Pin-Yuan Hou**, New Taipei (TW);  
**Hsu-Fen Wang**, New Taipei (TW);  
**Kai-Wei Lv**, New Taipei (TW);  
**Long-Fei Chen**, New Taipei (TW)

D744,430	S *	12/2015	Yokoyama	.....	D13/147
D783,539	S *	4/2017	Yokoyama	.....	D13/147
9,954,303	B2 *	4/2018	Guo	.....	H01R 13/5216
10,062,992	B2 *	8/2018	Zhao	.....	H01R 24/60
10,062,999	B2 *	8/2018	Yao	.....	H01R 13/504
10,063,024	B2 *	8/2018	Yao	.....	H01R 13/405
2016/0033198	A1 *	2/2016	Hsiao	.....	F26B 3/28 439/485
2017/0110818	A1 *	4/2017	Guo	.....	H01R 12/716
2017/0155216	A1 *	6/2017	Yao	.....	H01R 24/60
2017/0207565	A1 *	7/2017	Guo	.....	H01R 12/7064
2017/0365951	A1 *	12/2017	Zhang	.....	H01R 13/50
2018/0034194	A1 *	2/2018	Ono	.....	H01R 13/5202
2018/0138638	A1 *	5/2018	Zhao	.....	H01R 13/6581
2018/0138641	A1 *	5/2018	Zhao	.....	H01R 13/6594

(73) Assignee: **Advanced Connectek Inc.**, New Taipei (TW)

(\*\*) Term: **15 Years**

(21) Appl. No.: **29/601,312**

(22) Filed: **Apr. 21, 2017**

(30) **Foreign Application Priority Data**

Dec. 27, 2016 (TW) ..... 105307905

(51) **LOC (11) Cl.** ..... **13-03**

(52) **U.S. Cl.**  
USPC ..... **D13/147**

(58) **Field of Classification Search**  
USPC ..... D13/101, 103, 110, 118, 123, 133,  
D13/145-147, 149, 151, 153, 154, 173,  
D13/184, 199  
CPC ..... H01R 13/518; H01R 13/52; H01R 13/64;  
H01R 13/6587; H01R 13/65; H01R  
13/65802; H01R 23/688; H01R 23/6873;  
H01R 24/00; H01R 24/60; H01R 24/62;  
H01R 24/78; H01R 12/00; H01R 12/20;  
H01R 12/70; H01R 12/72; H01R 13/00;  
H01R 13/05; H01R 13/10; H01R 13/50;  
H01R 13/627; H01R 13/646; H01R  
13/648; H01R 13/6581; H01R 13/6585

See application file for complete search history.

(Continued)

*Primary Examiner* — Angela J Lee

*Assistant Examiner* — Shawn T Gingrich

(74) *Attorney, Agent, or Firm* — JCIPRNET

(57) **CLAIM**

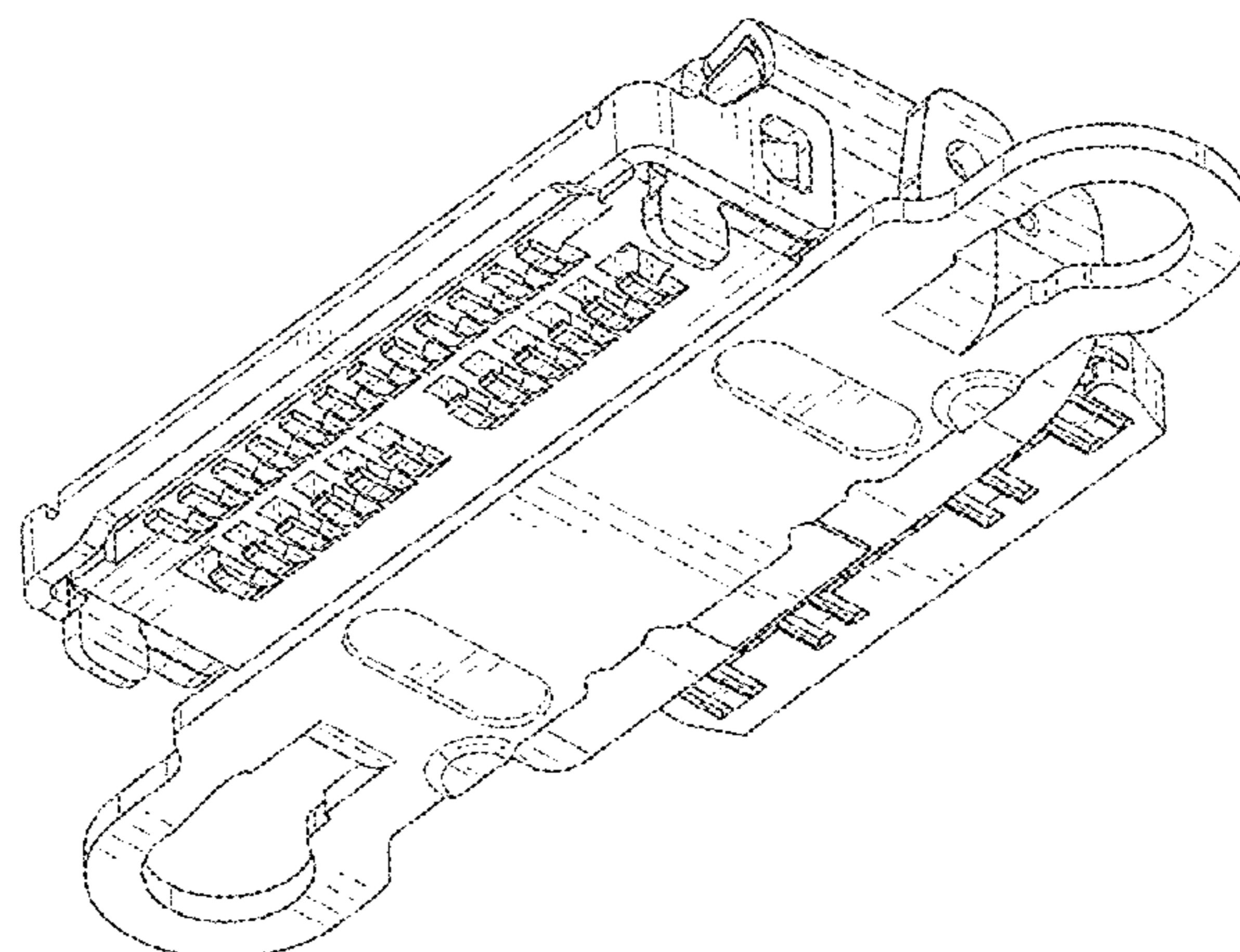
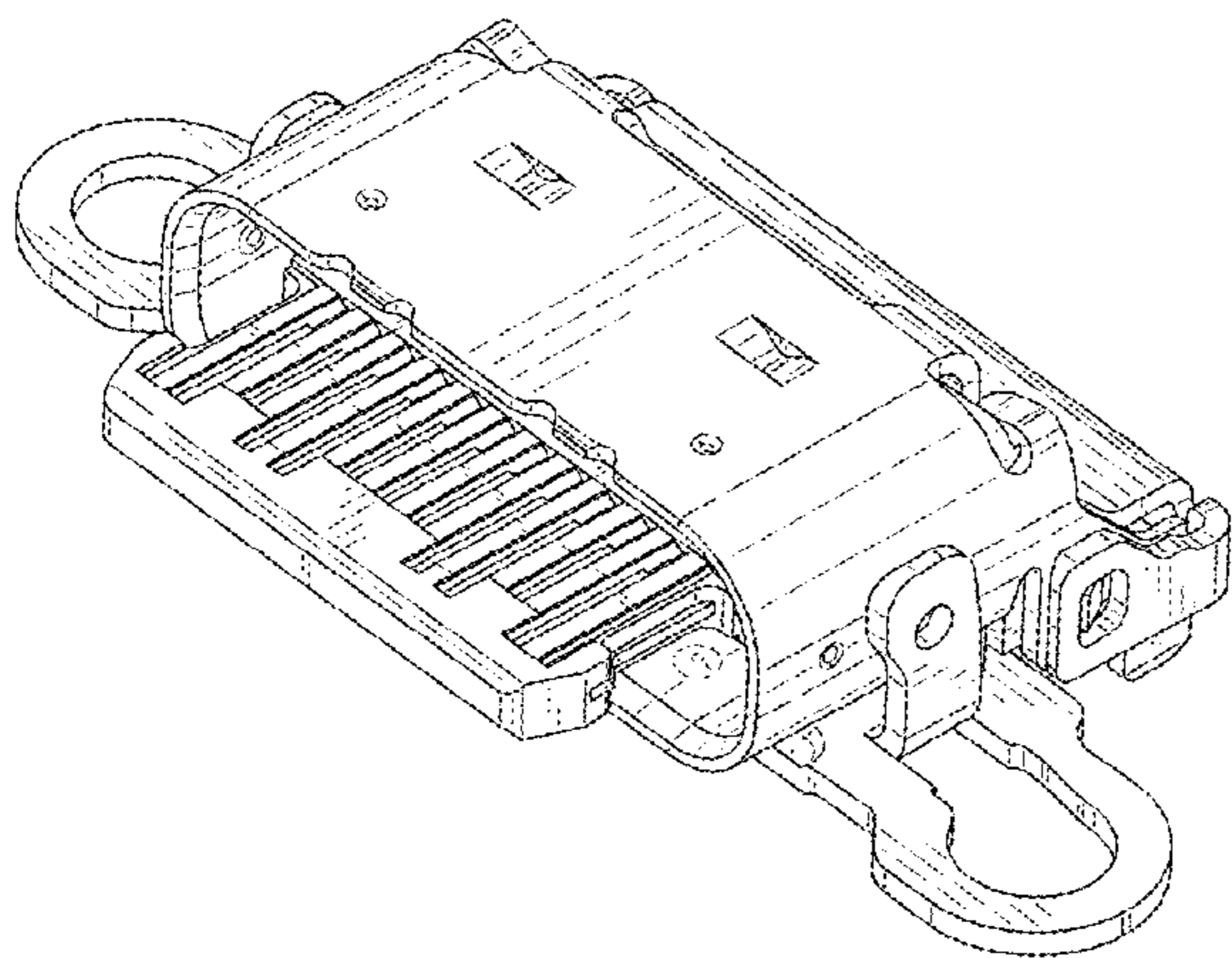
The ornamental design for a receptacle electrical connector, as shown and described.

**DESCRIPTION**

FIG. 1 is a perspective view of a receptacle electrical connector showing our new design;  
FIG. 2 is another perspective view thereof;  
FIG. 3 is yet another perspective view thereof;  
FIG. 4 is a front view thereof;  
FIG. 5 is a rear view thereof;  
FIG. 6 is a left side view thereof;  
FIG. 7 is a right side view thereof;  
FIG. 8 is a top view thereof; and,  
FIG. 9 is a bottom view thereof.

The broken lines in the drawings illustrate portions of the electrical connector that form no part of the claimed design.

**1 Claim, 7 Drawing Sheets**



(56)

**References Cited**

U.S. PATENT DOCUMENTS

2018/0145461 A1\* 5/2018 Zhao ..... H01R 13/6594  
2018/0151988 A1\* 5/2018 Zhao ..... H01R 13/6594

\* cited by examiner

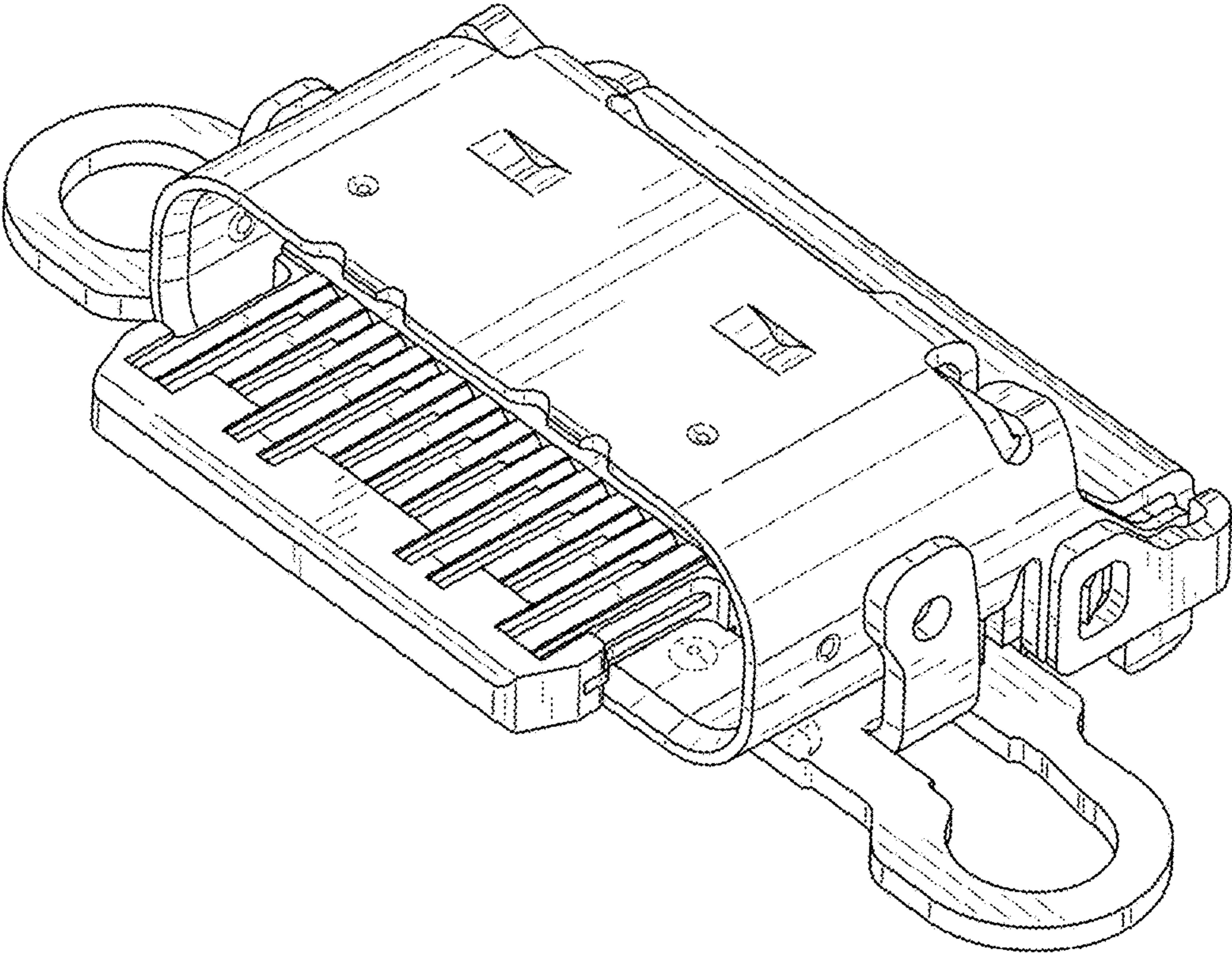


FIG. 1

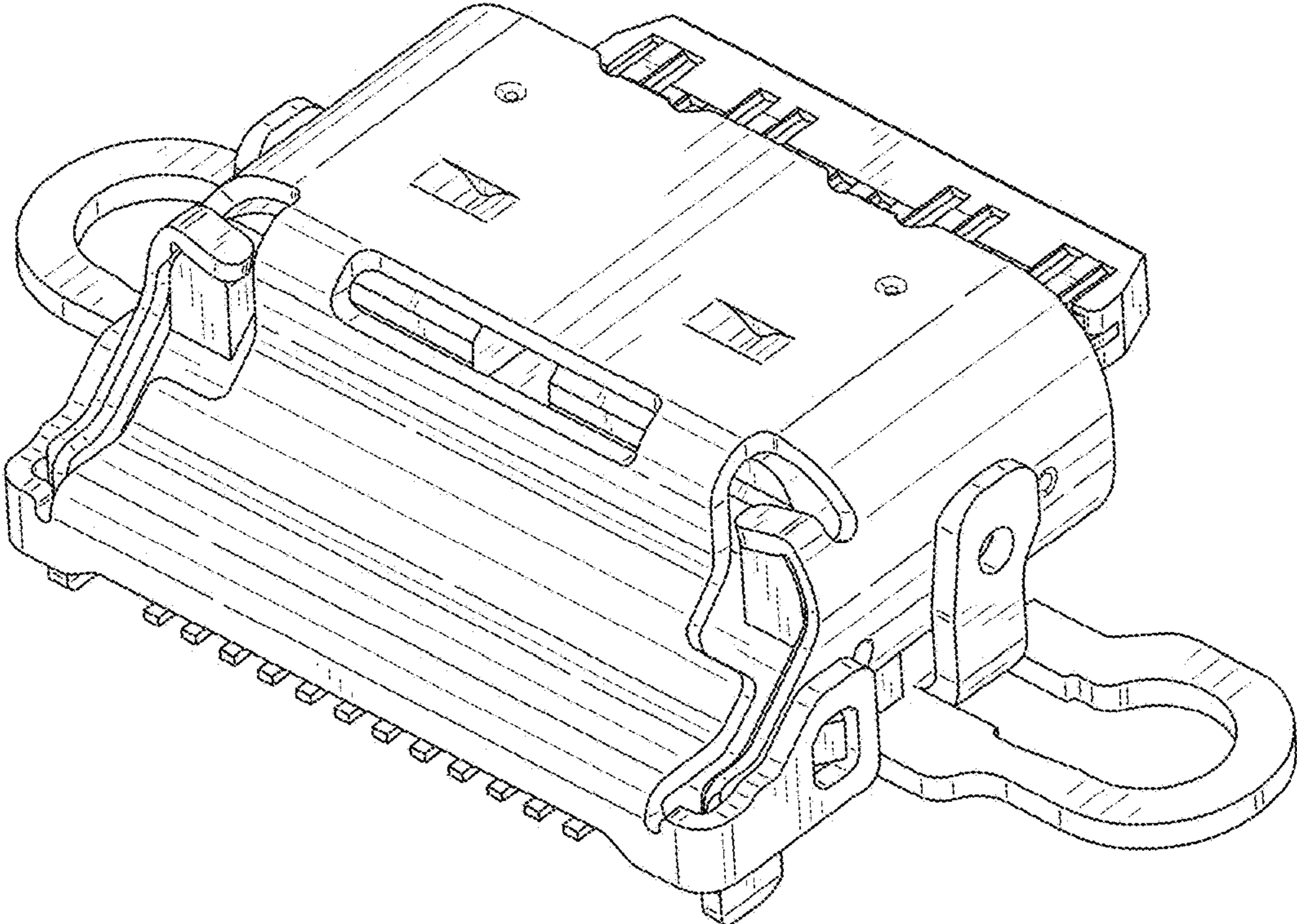


FIG. 2

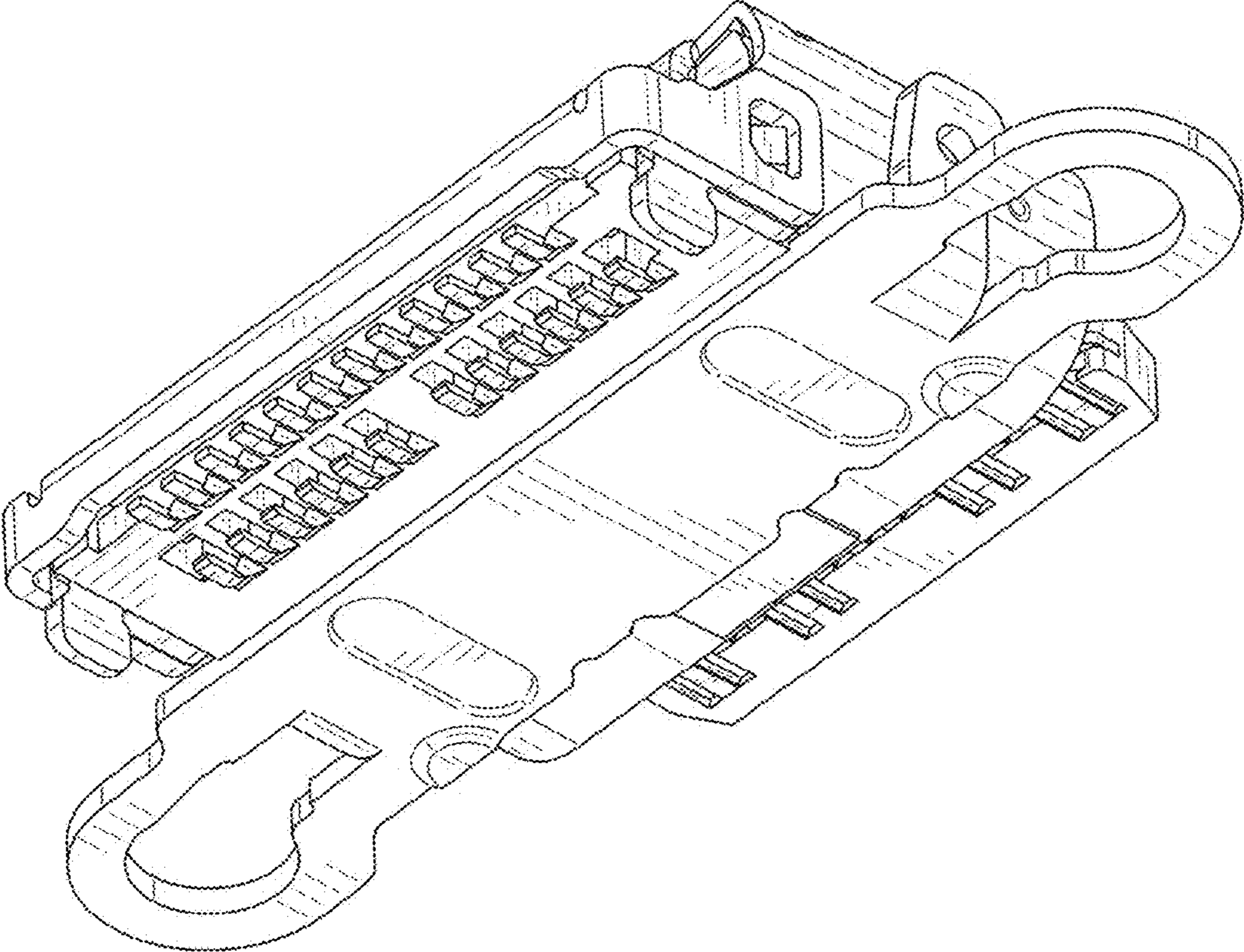


FIG. 3

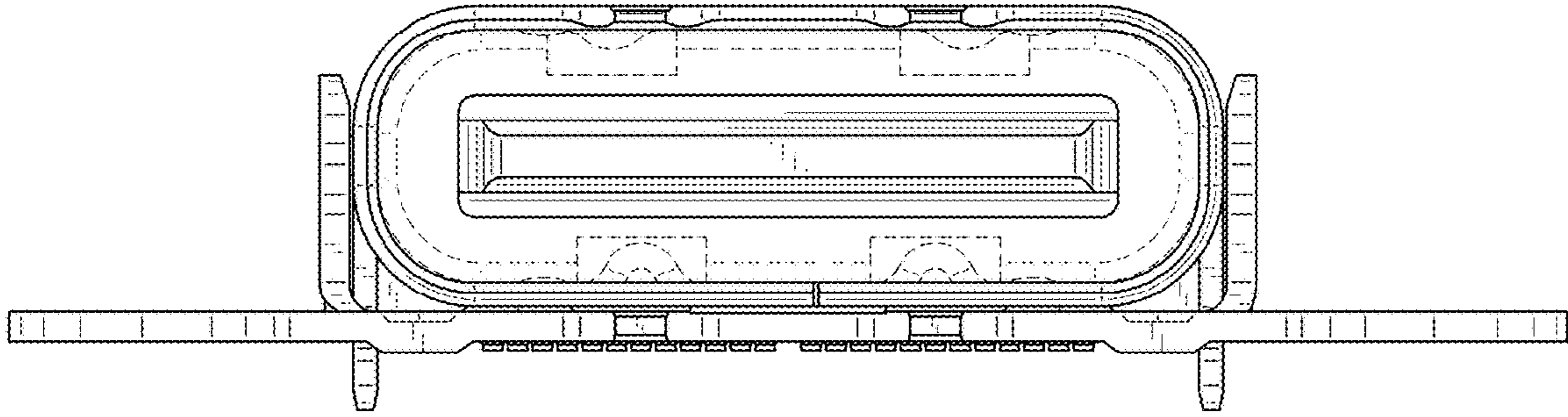


FIG. 4

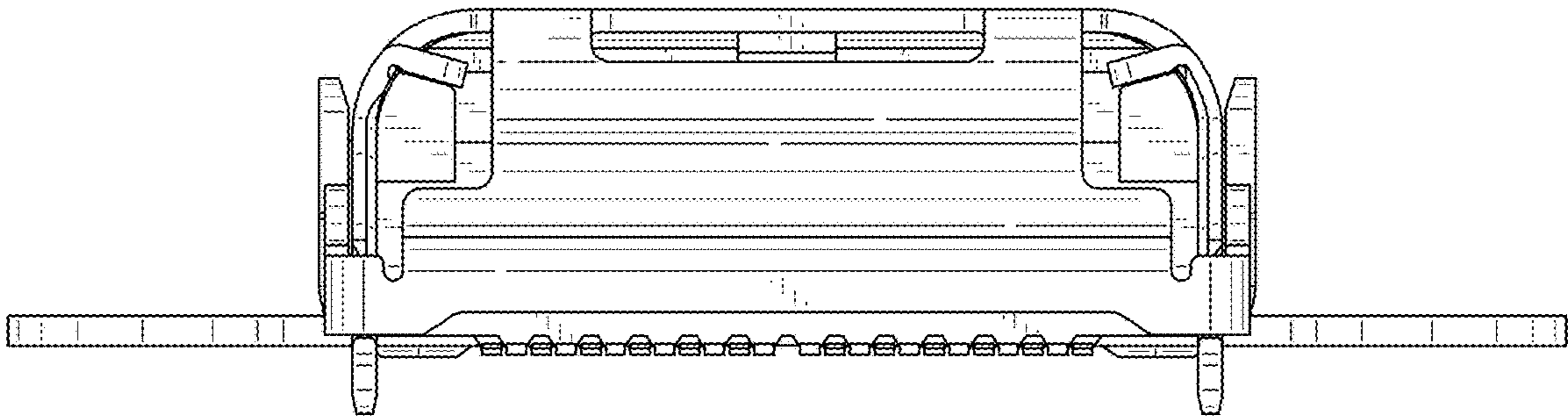


FIG. 5

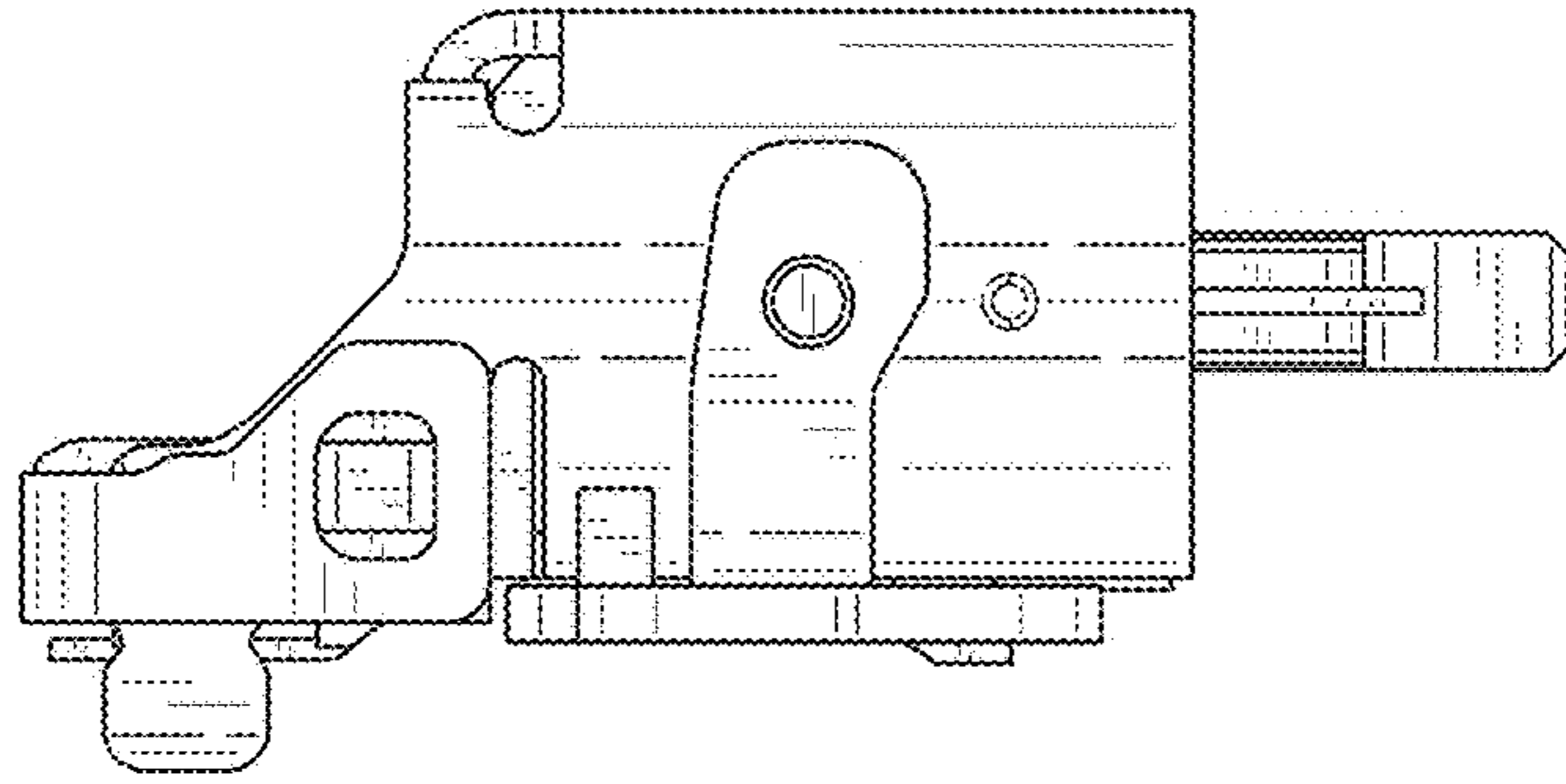


FIG. 6

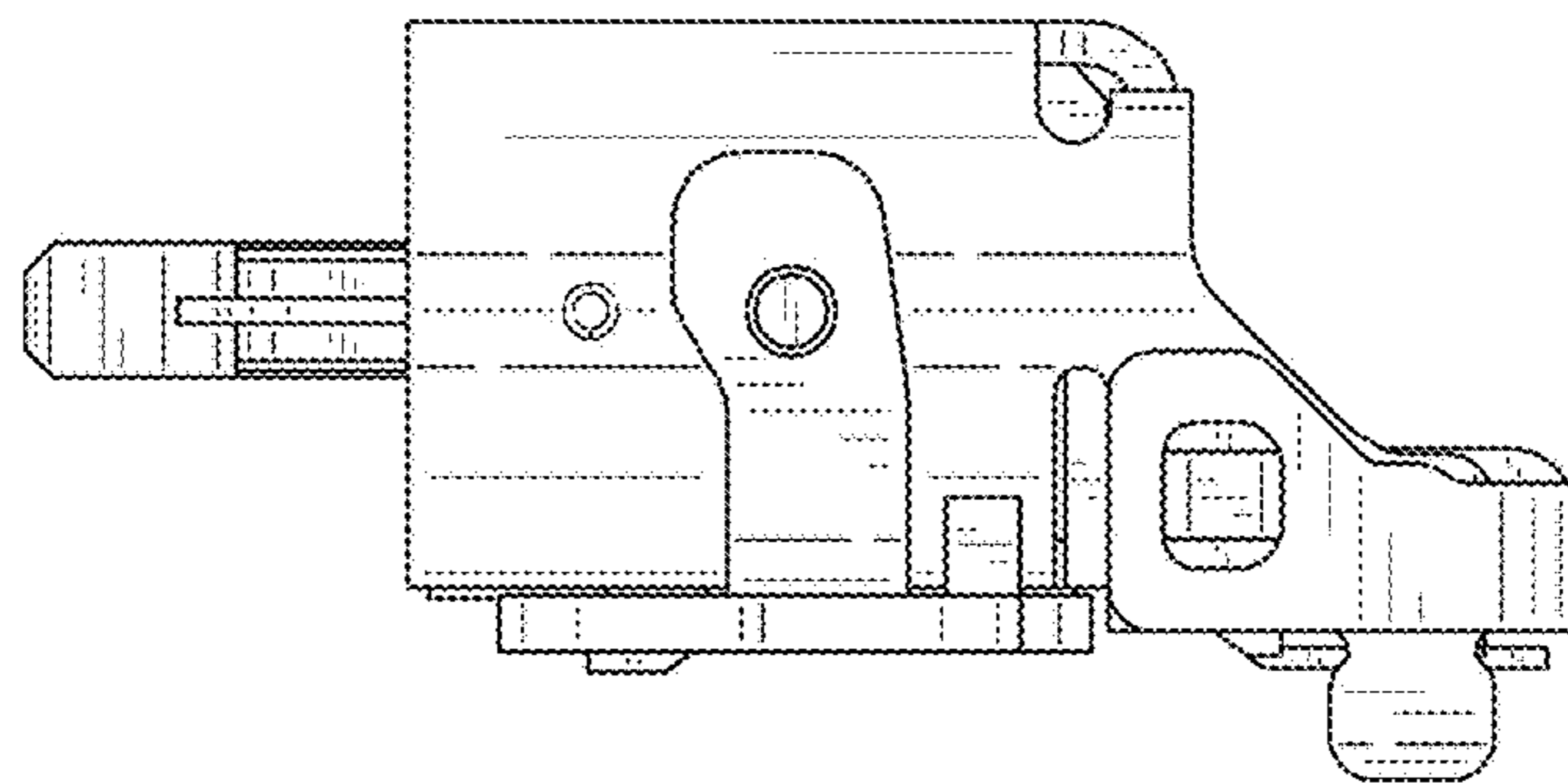


FIG. 7

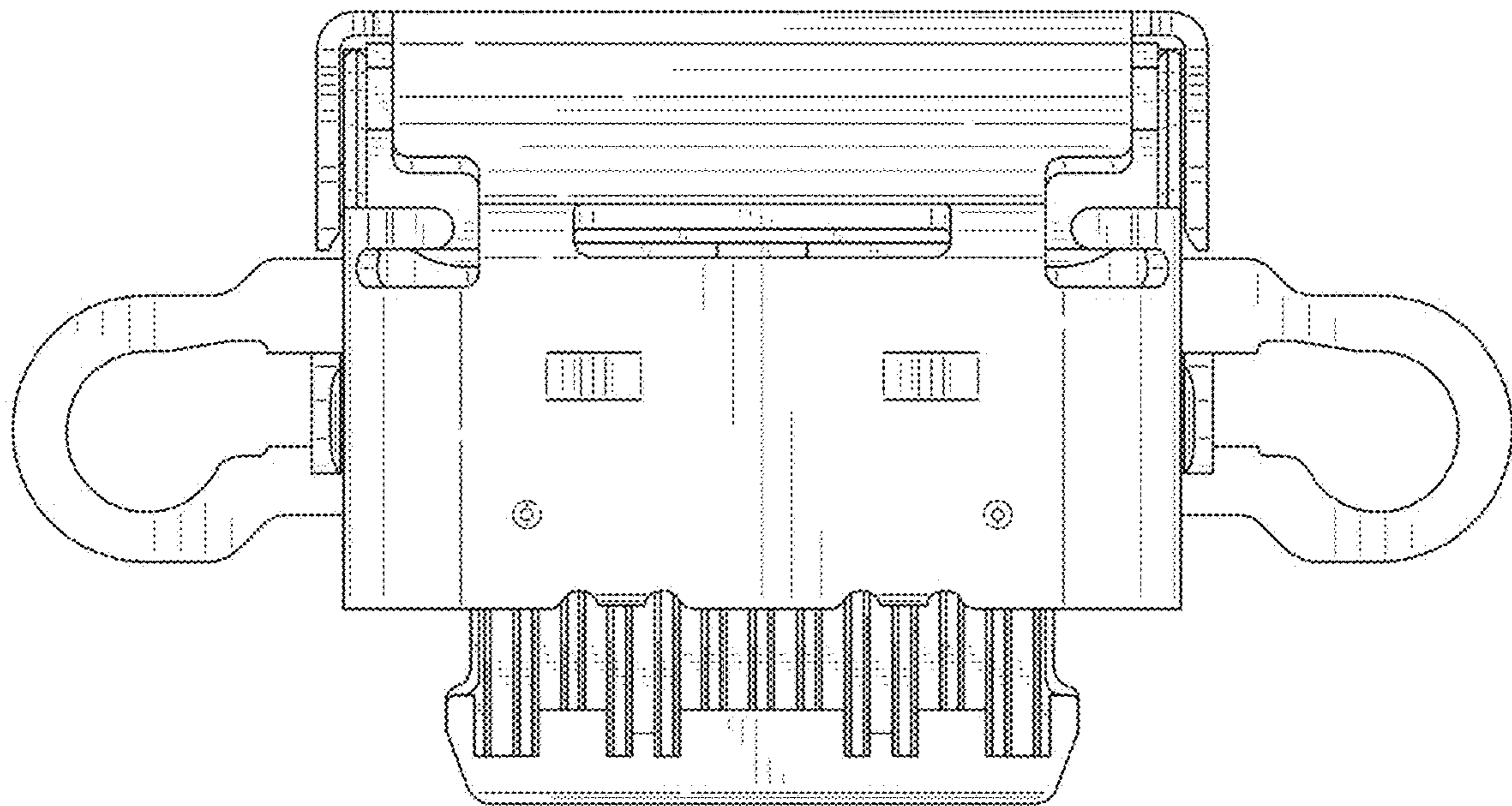


FIG. 8



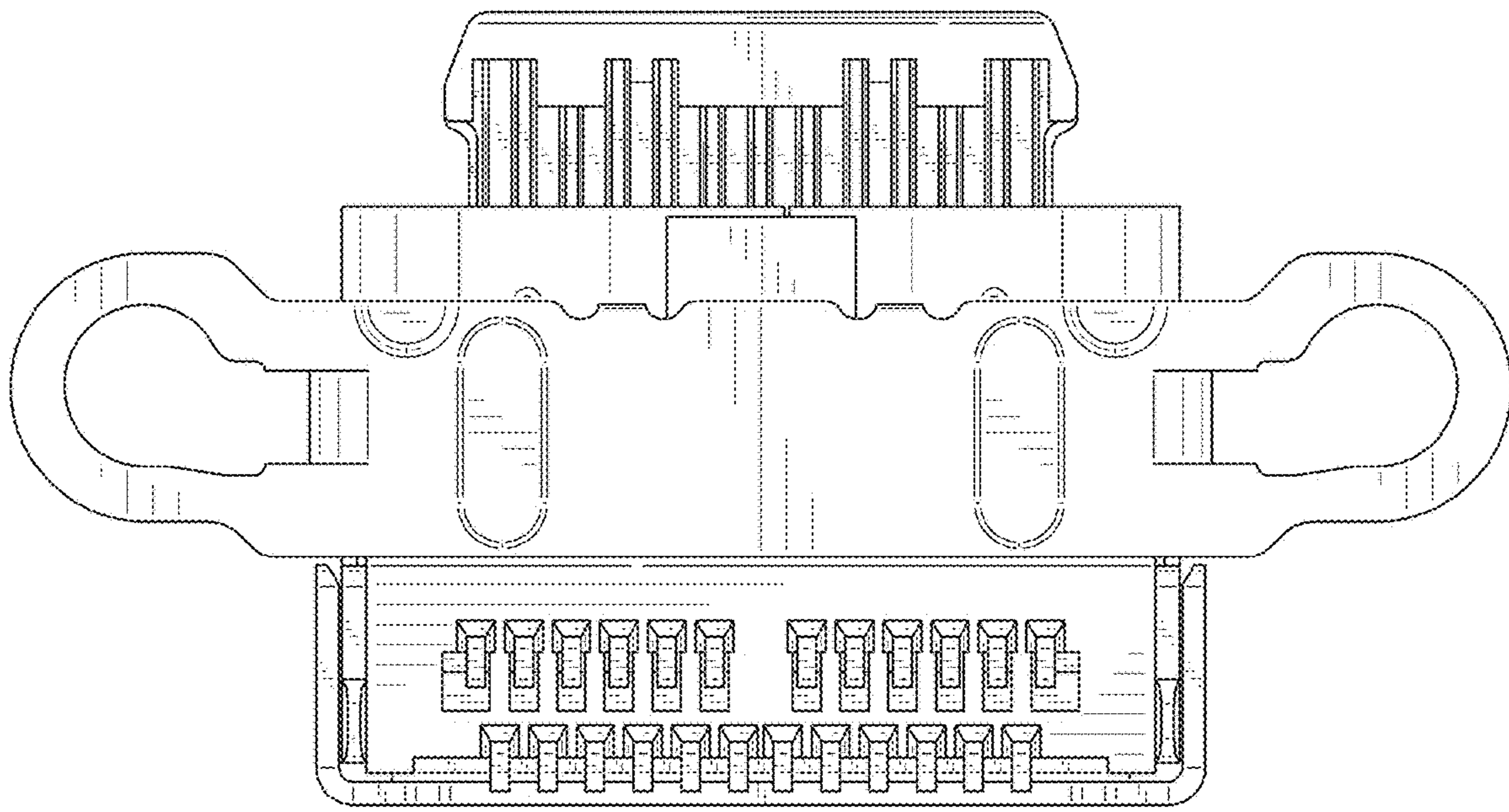


FIG. 9