

US00D837161S

(12) **United States Design Patent** (10) **Patent No.:** **US D837,161 S**
Yokoyama et al. (45) **Date of Patent:** **** Jan. 1, 2019**

(54) **ELECTRICAL CONNECTOR**

(71) Applicant: **Japan Aviation Electronics Industry, Limited**, Tokyo (JP)

(72) Inventors: **Yohei Yokoyama**, Tokyo (JP); **Masaaki Takaku**, Tokyo (JP); **Tatsuya Shioda**, Tokyo (JP); **Kouhei Ueda**, Tokyo (JP); **Yoshio Minegishi**, Tokyo (JP)

(73) Assignee: **JAPAN AVIATION ELECTRONICS INDUSTRY, LIMITED**, Tokyo (JP)

(**) Term: **14 Years**

(21) Appl. No.: **29/516,594**

(22) Filed: **Feb. 4, 2015**

(30) **Foreign Application Priority Data**

Aug. 18, 2014 (JP) 2014-017799
Sep. 30, 2014 (JP) 2014-021690

(51) **LOC (11) Cl.** **13-03**

(52) **U.S. Cl.**
USPC **D13/147**

(58) **Field of Classification Search**
USPC D13/133, 146, 147, 154, 184, 199;
D14/432, 433, 434, 435.1, 436, 438;
D24/129
CPC H01R 24/60; H01R 24/70; H01R 13/5205;
H01R 13/5219; H01R 13/642; H01R
13/6471; H01R 13/6581; H01R 13/6582;
H01R 13/6285; H01R 13/6591; H01R
13/6596; H01R 13/58; H01R 13/5845;
H01R 13/02; H01R 13/03; H01R 13/405;
H01R 13/648; H01R 13/506; H01R
13/516; H01R 12/57; H01R 13/6585;
H01R 2107/00; B29C 70/84; B29C
70/88; B29C 70/885

See application file for complete search history.

(56) **References Cited**

U.S. PATENT DOCUMENTS

D744,428	S *	12/2015	Rodriguez	D13/147
9,318,856	B2 *	4/2016	MacDougall	H01R 13/6581
9,350,128	B1 *	5/2016	Chen	H01R 13/6582
D768,085	S *	10/2016	Yokoyama	D13/147
D769,196	S *	10/2016	Yokoyama	D13/147
D786,798	S *	5/2017	Yokoyama	D13/147
D804,424	S *	12/2017	Yokoyama	D13/147
2015/0194768	A1 *	7/2015	Little	H01R 13/6594 439/607.37

(Continued)

Primary Examiner — Daniel D Bui

(74) *Attorney, Agent, or Firm* — Manabu Kanesaka

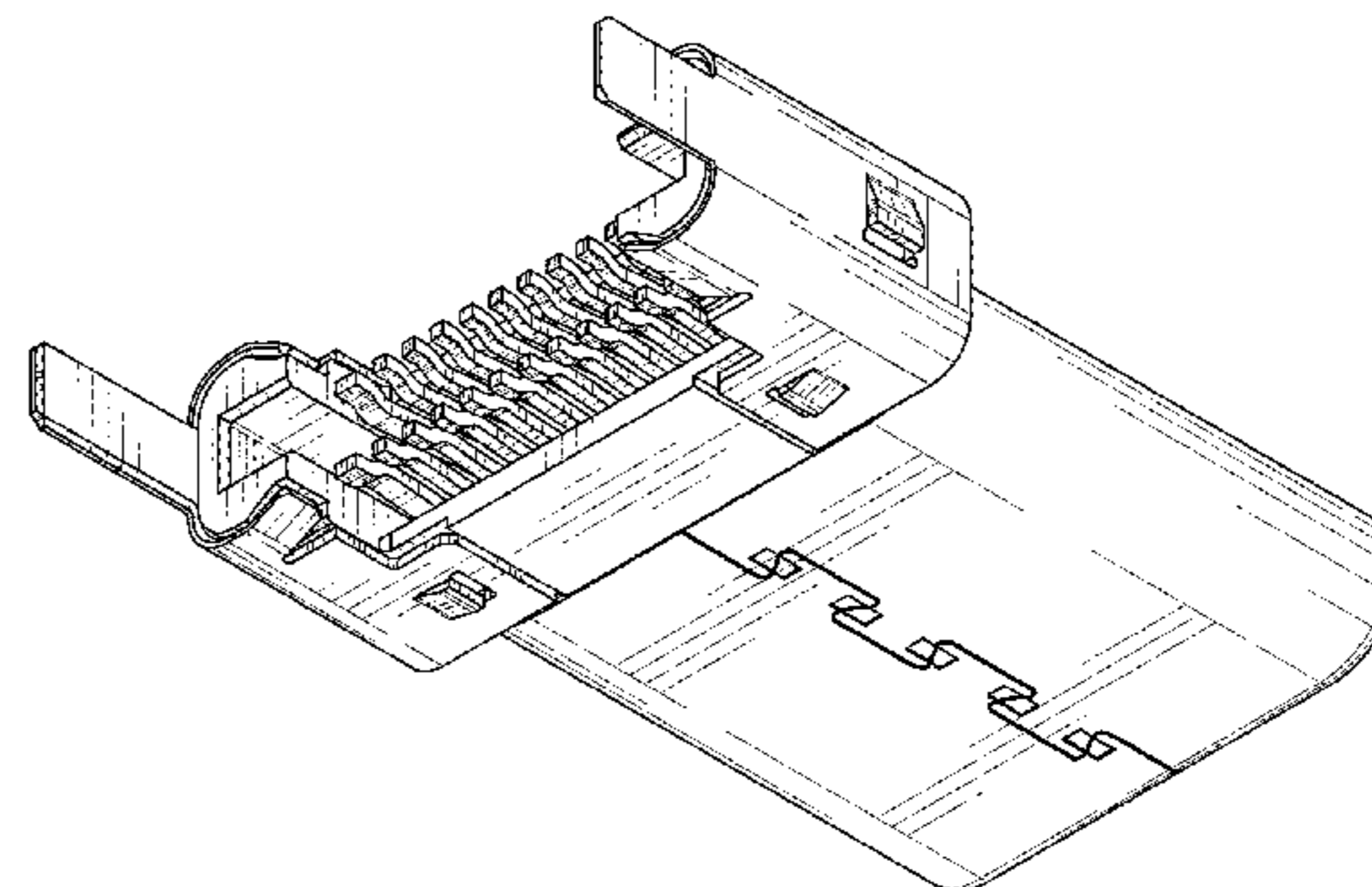
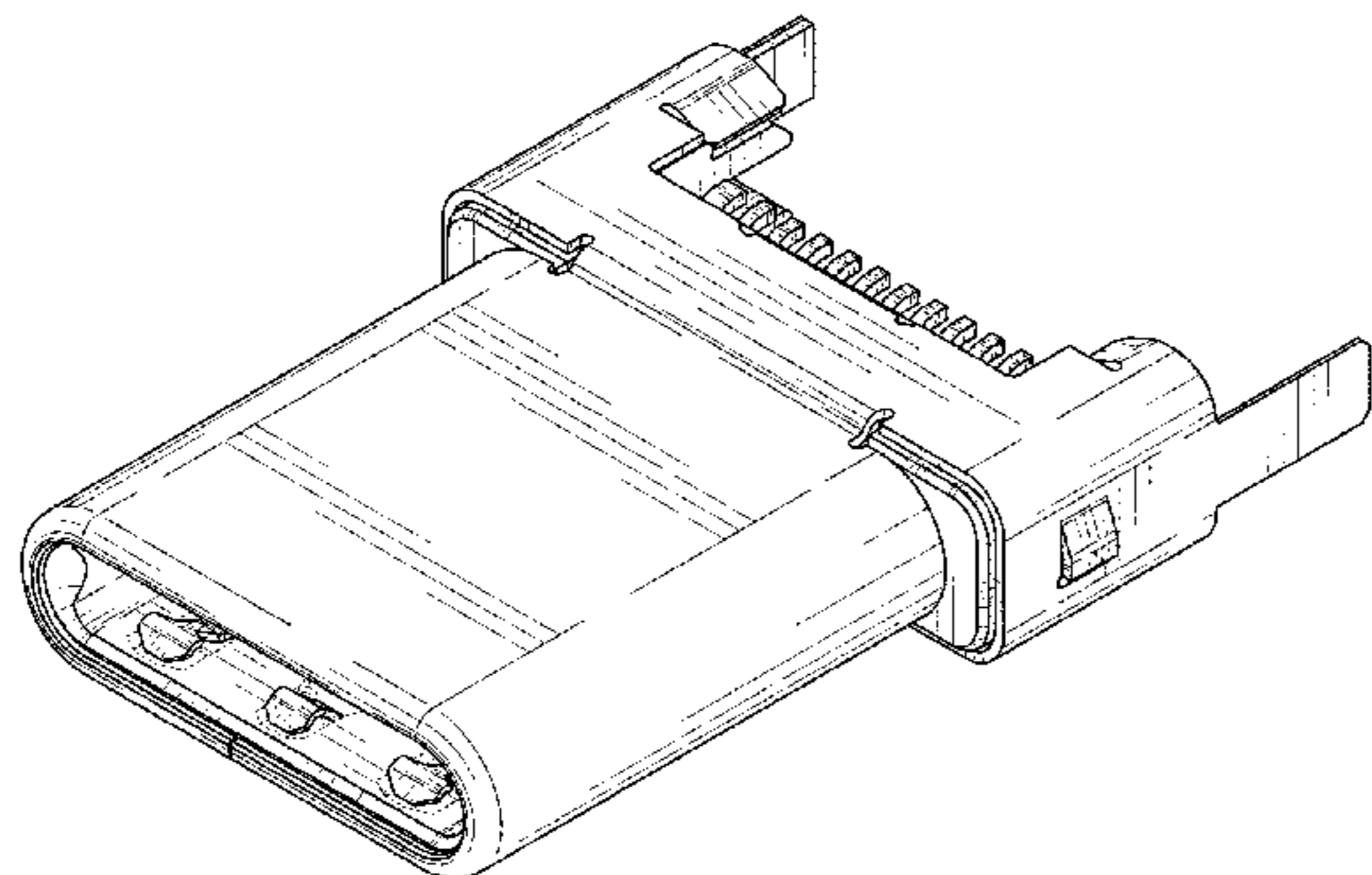
(57) **CLAIM**

The ornamental design for an electrical connector, as shown and described.

DESCRIPTION

FIG. 1 is a front view of an electrical connector showing our new design;
FIG. 2 is a rear view thereof;
FIG. 3 is a right side view thereof;
FIG. 4 is a left side view thereof;
FIG. 5 is a plan view thereof;
FIG. 6 is a bottom view thereof;
FIG. 7 is a perspective view showing a front, top and right side thereof;
FIG. 8 is a perspective view showing a rear, bottom and left side thereof;
FIG. 9 is a perspective view showing a front, right side and bottom thereof; and,
FIG. 10 is a perspective view showing a rear, left side and top thereof.

(Continued)



The broken line showing of the electrical connector is for the purpose of illustrating portions of the article and forms no part of the claimed design.

1 Claim, 5 Drawing Sheets

(56)

References Cited

U.S. PATENT DOCUMENTS

2015/0194772	A1 *	7/2015	Little	H01R 13/6597 439/357	2016/0056583	A1 *	2/2016	Chuang	H01R 13/6581 439/607.01
2015/0270646	A1 *	9/2015	Kao	H01R 13/6581 439/76.1	2016/0064864	A1 *	3/2016	Kao	H01R 13/6461 439/607.05
2015/0288096	A1 *	10/2015	Wu	H01R 13/5845 439/357	2016/0064868	A1 *	3/2016	Little	H01R 13/6581 439/607.01
2015/0288107	A1 *	10/2015	Wu	H01R 13/6593 439/357	2016/0072242	A1 *	3/2016	Yu	H01R 24/70 439/95
2015/0303623	A1 *	10/2015	Kao	H01R 13/6583 439/607.04	2016/0079711	A1 *	3/2016	Chung	H01R 24/60 439/607.55
2015/0303629	A1 *	10/2015	MacDougall	H01R 13/6581 439/607.01	2016/0079714	A1 *	3/2016	Wu	H01R 13/6585 439/607.05
2015/0318646	A1 *	11/2015	Little	H01R 4/023 439/78	2016/0104972	A1 *	4/2016	Feng	H01R 13/6581 439/607.27
2015/0318647	A1 *	11/2015	Wu	H01R 43/28 439/676	2016/0134056	A1 *	5/2016	Chen	H01R 13/642 439/217
2015/0333451	A1 *	11/2015	Kao	H01R 24/60 439/607.01	2016/0134058	A1 *	5/2016	Deng	H01R 13/6581 439/607.01
2015/0340815	A1 *	11/2015	Gao	H01R 13/6581 439/607.01	2016/0141797	A1 *	5/2016	Wu	H01R 13/6593 439/607.55
2015/0364871	A1 *	12/2015	Lin	H01R 13/6581 439/607.58	2016/0141803	A1 *	5/2016	Hsu	H01R 13/6585 439/607.55
2015/0380858	A1 *	12/2015	Kao	H01R 13/658 439/620.22	2016/0141804	A1 *	5/2016	Kao	H01R 24/60 439/607.01
2015/0380869	A1 *	12/2015	Kao	H01R 13/6593 439/607.01	2016/0141817	A1 *	5/2016	Wu	H01R 24/60 439/676
2015/0380871	A1 *	12/2015	Kao	H01R 13/6658 439/607.27	2016/0149338	A1 *	5/2016	Xing	H01R 13/5845 439/449
2016/0013566	A1 *	1/2016	Wu	H01R 4/023 439/676	2016/0149345	A1 *	5/2016	Liu	H01R 13/6581 439/607.01
2016/0013581	A1 *	1/2016	Wu	H01R 13/5845 439/452	2016/0149347	A1 *	5/2016	Hsu	H01R 13/6585 439/607.05
2016/0013595	A1 *	1/2016	Kao	H01R 13/6591 439/607.55	2016/0149348	A1 *	5/2016	Kao	H01R 13/6585 439/607.05
2016/0043510	A1 *	2/2016	Peng	H01R 13/6593 439/607.01	2016/0149349	A1 *	5/2016	Kao	H01R 13/6585 439/607.05
2016/0043512	A1 *	2/2016	Kao	H01R 12/57 439/620.22	2016/0156114	A1 *	6/2016	Kao	H05K 1/111 439/83
2016/0043517	A1 *	2/2016	Wu	H01R 9/0515 439/629	2016/0156136	A1 *	6/2016	Kao	H01R 13/6585 439/607.05
2016/0049751	A1 *	2/2016	Chuang	H01R 13/6581 439/217	2016/0156145	A1 *	6/2016	Kao	H01R 24/60 439/676
					2016/0172791	A1 *	6/2016	Fan	H01R 13/6585 439/607.05
					2016/0172804	A1 *	6/2016	Wu	H01R 24/60 439/676
					2016/0181734	A1 *	6/2016	Kao	H01R 13/6585 439/607.05
					2016/0204562	A1 *	7/2016	Chen	H01R 43/16 29/428
					2016/0233617	A1 *	8/2016	Yen	H01R 13/6581
					2016/0233629	A1 *	8/2016	Yen	H01R 24/60
					2016/0240983	A1 *	8/2016	Yu	H01R 13/665

* cited by examiner

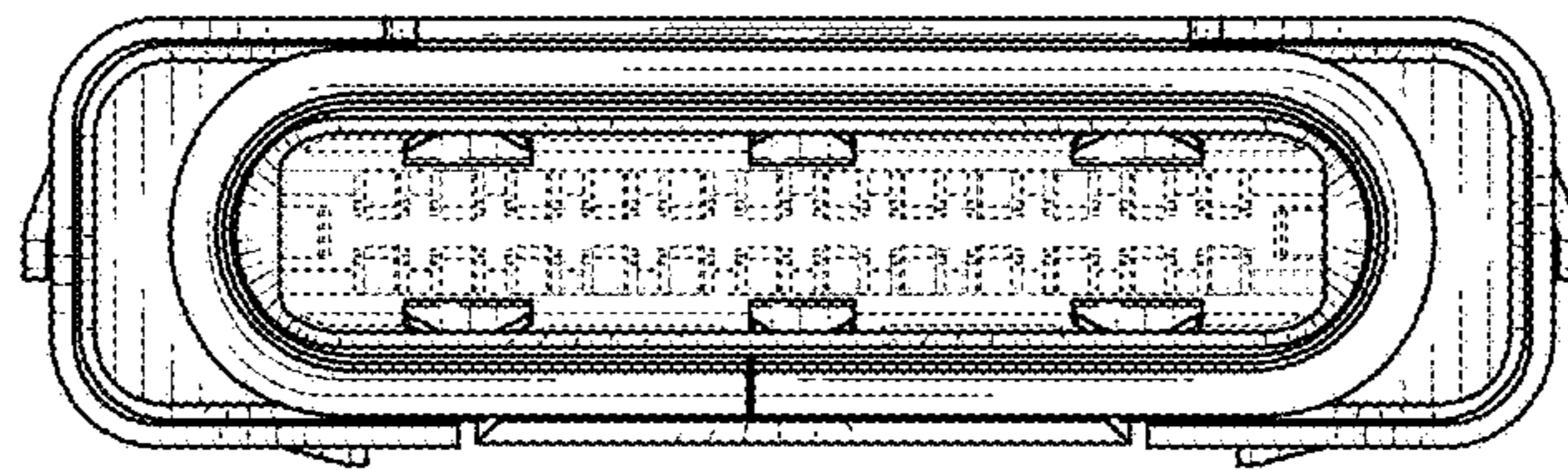


FIG. 1

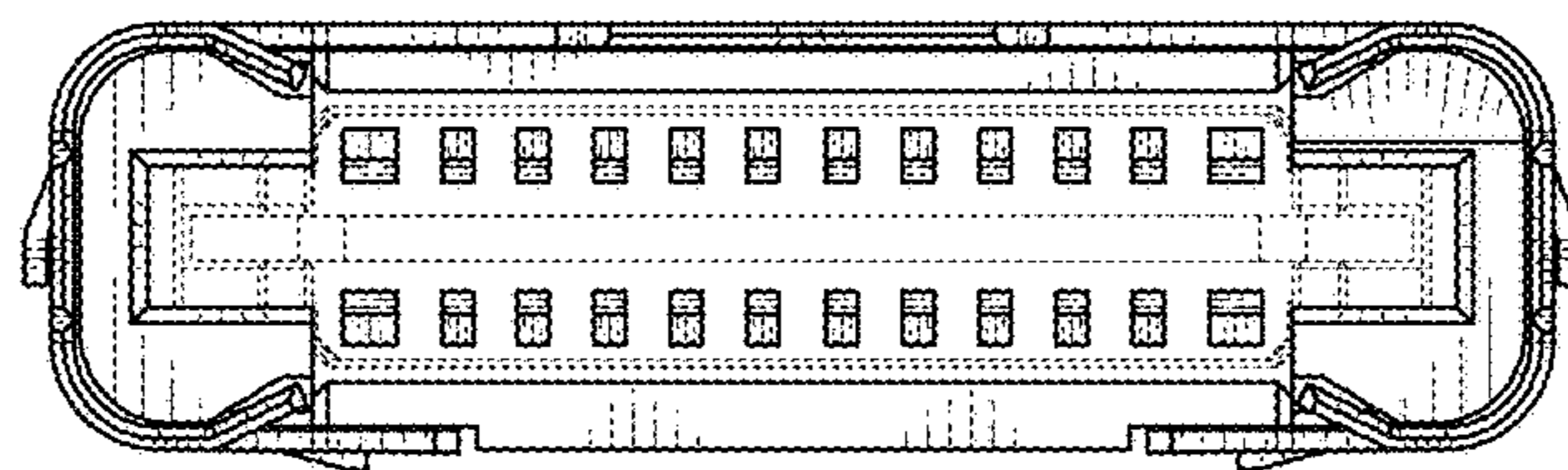


FIG. 2

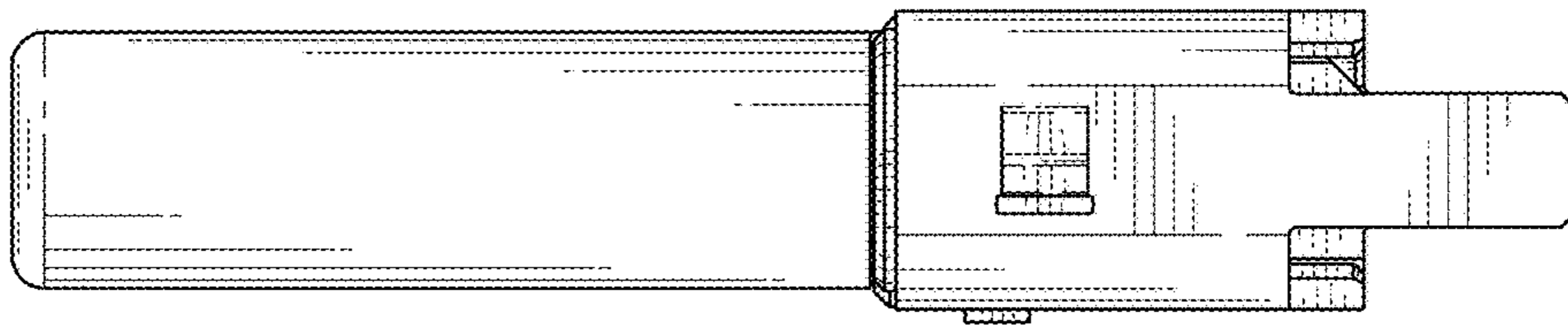


FIG. 3

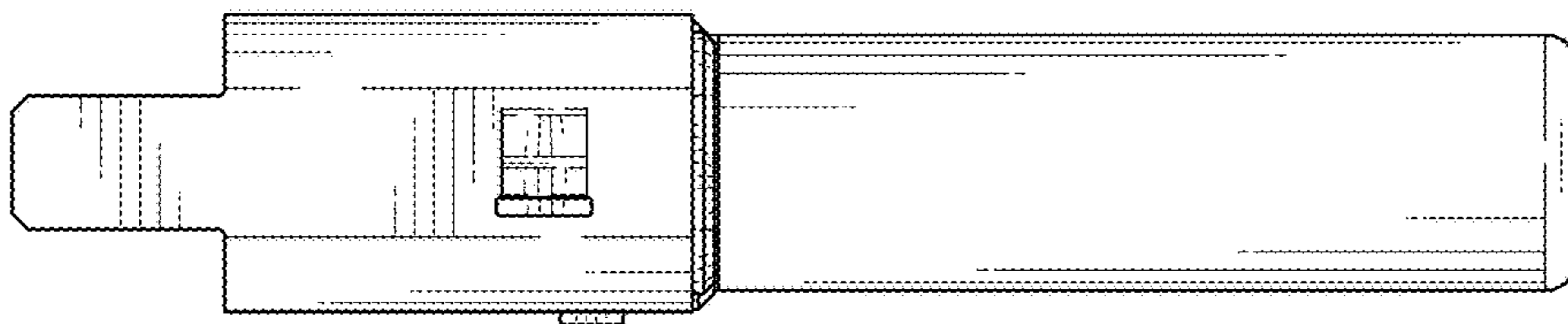


FIG. 4

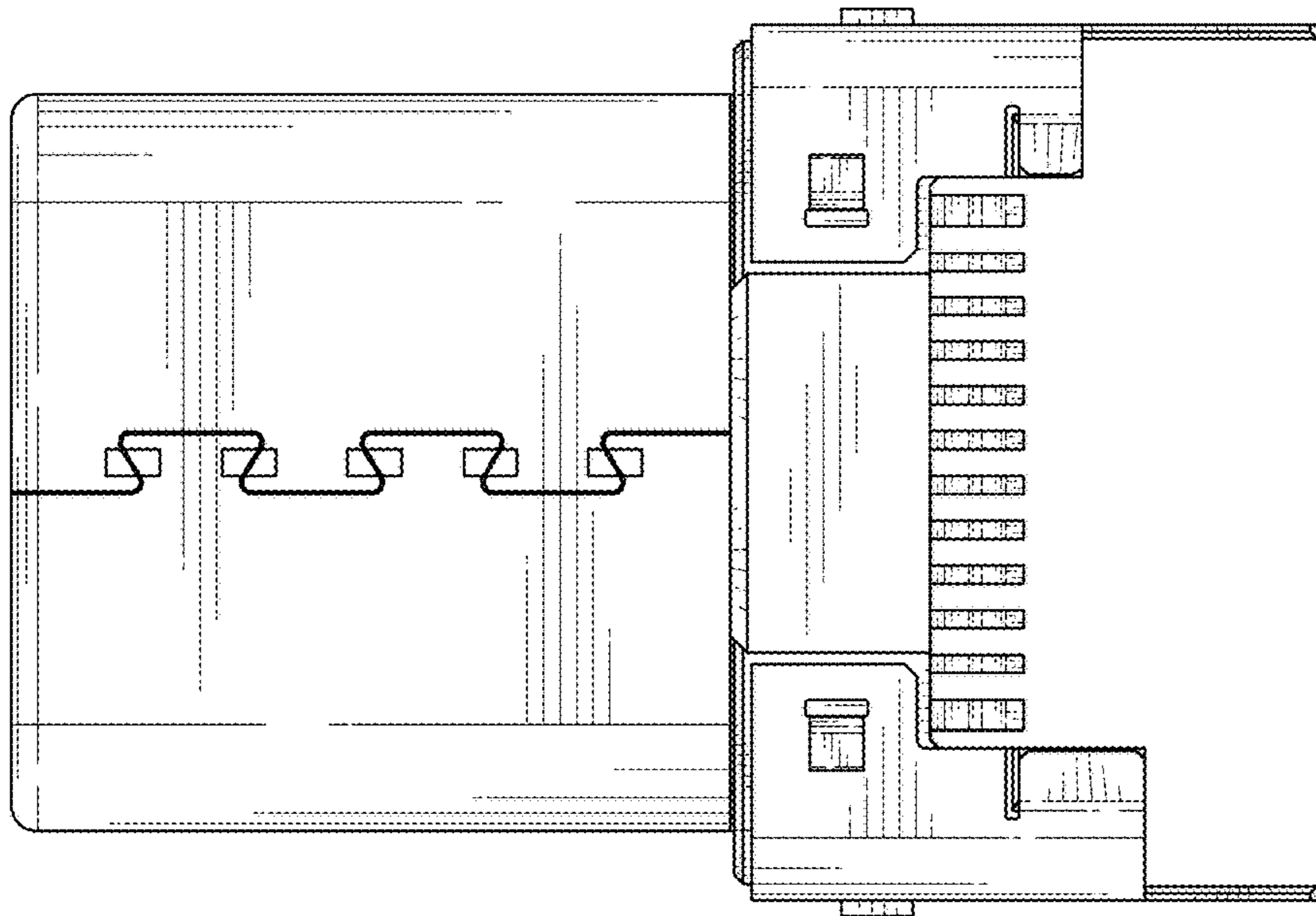


FIG. 5

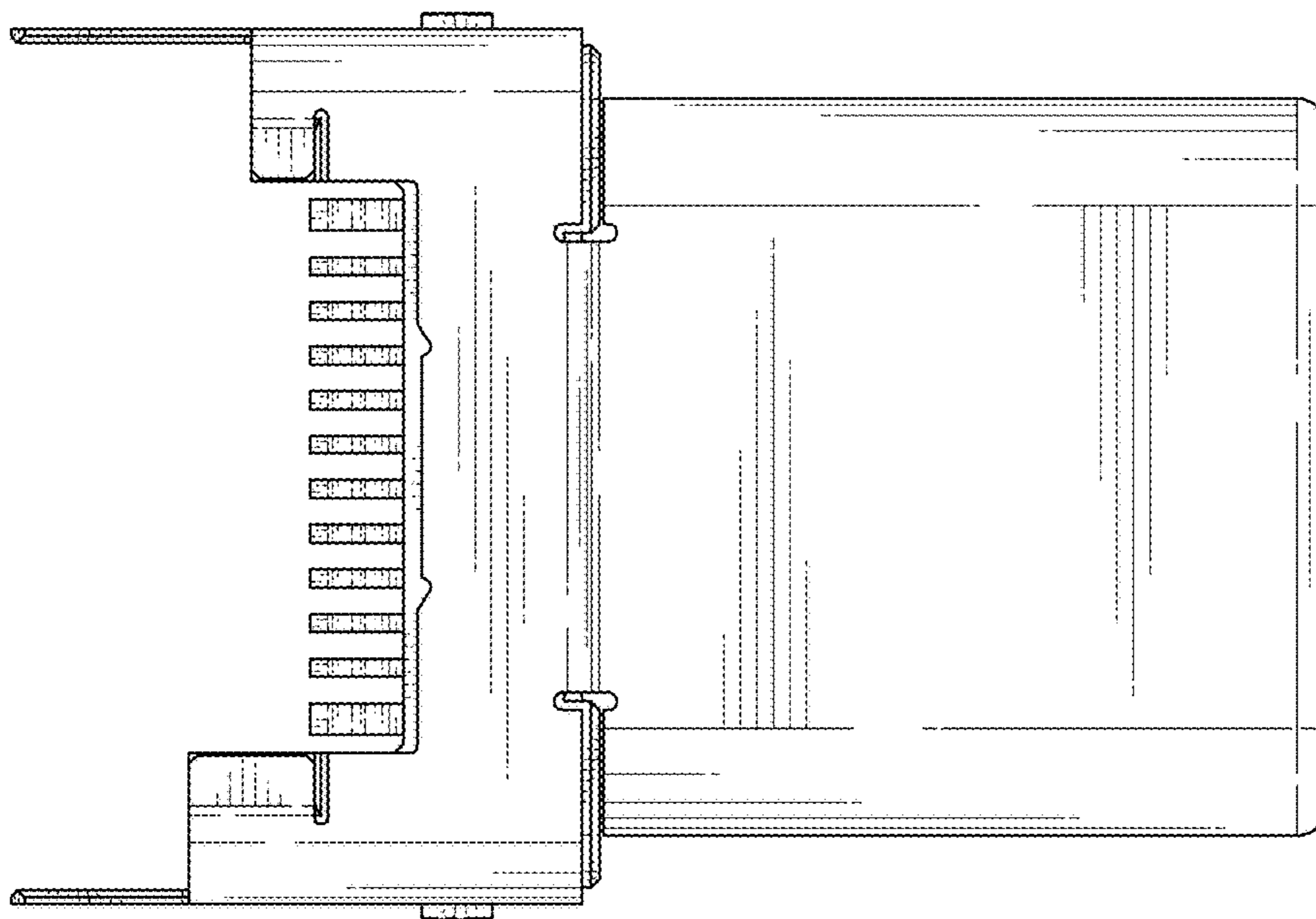


FIG. 6

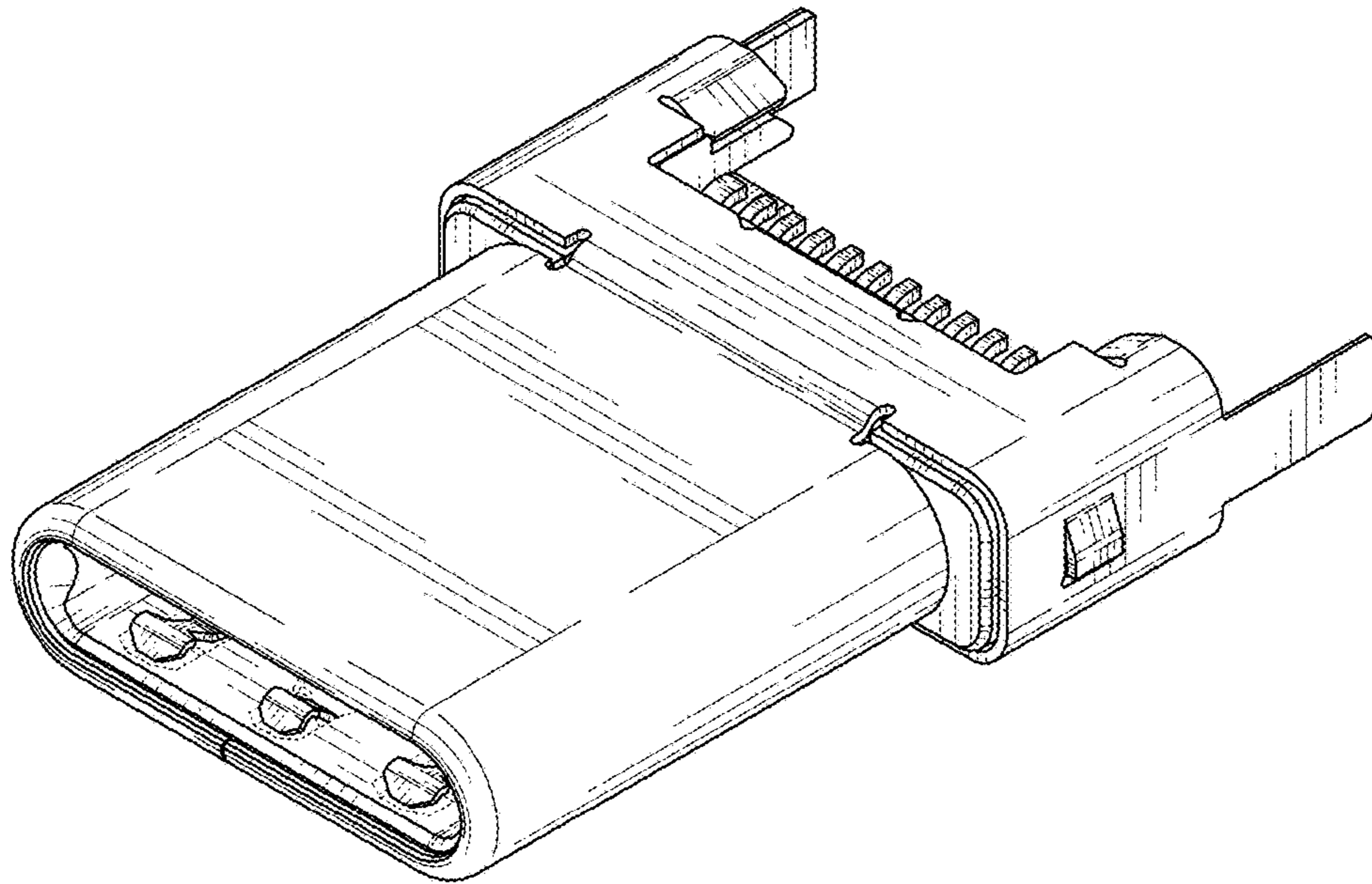


FIG. 7

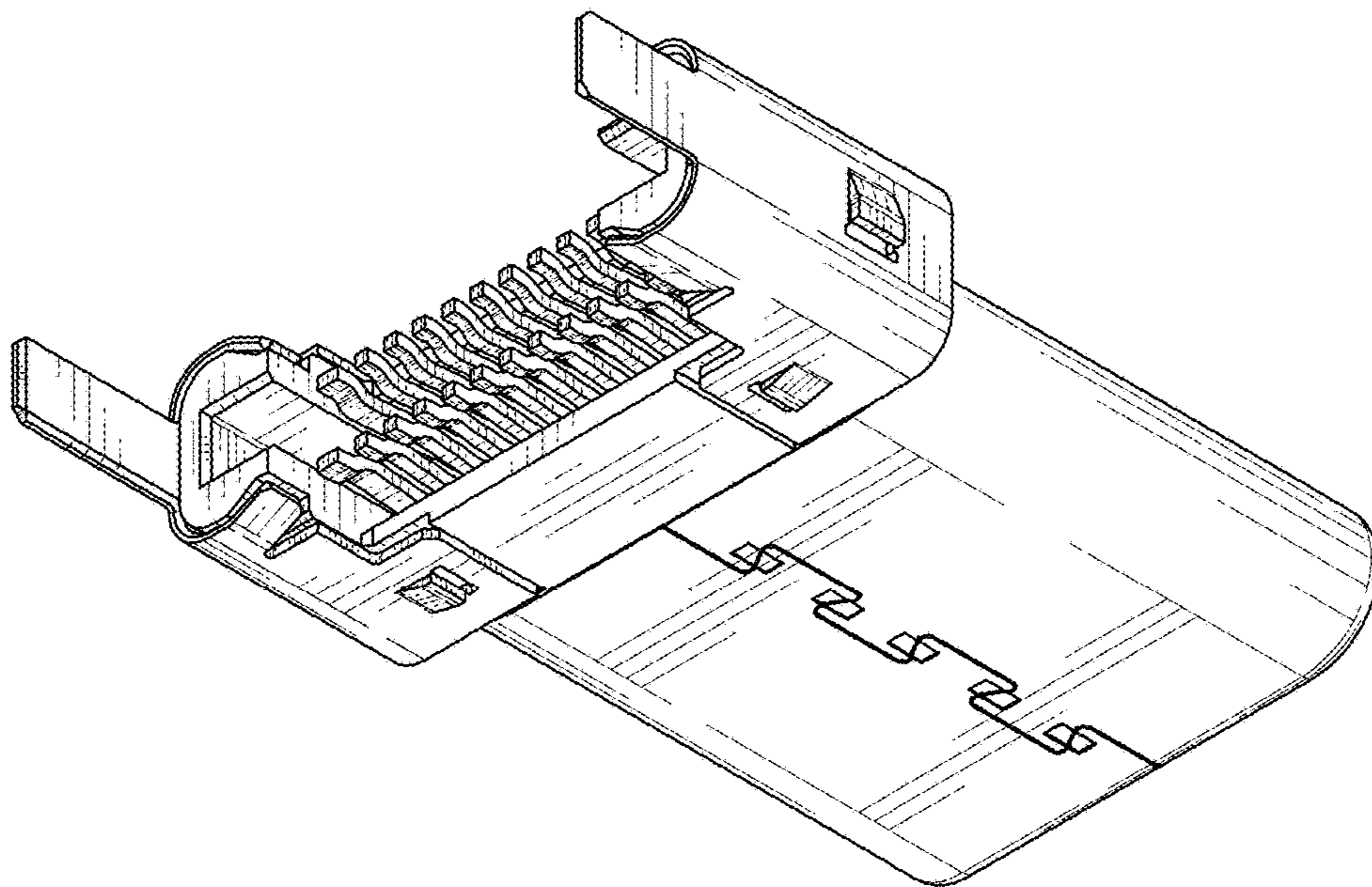


FIG. 8

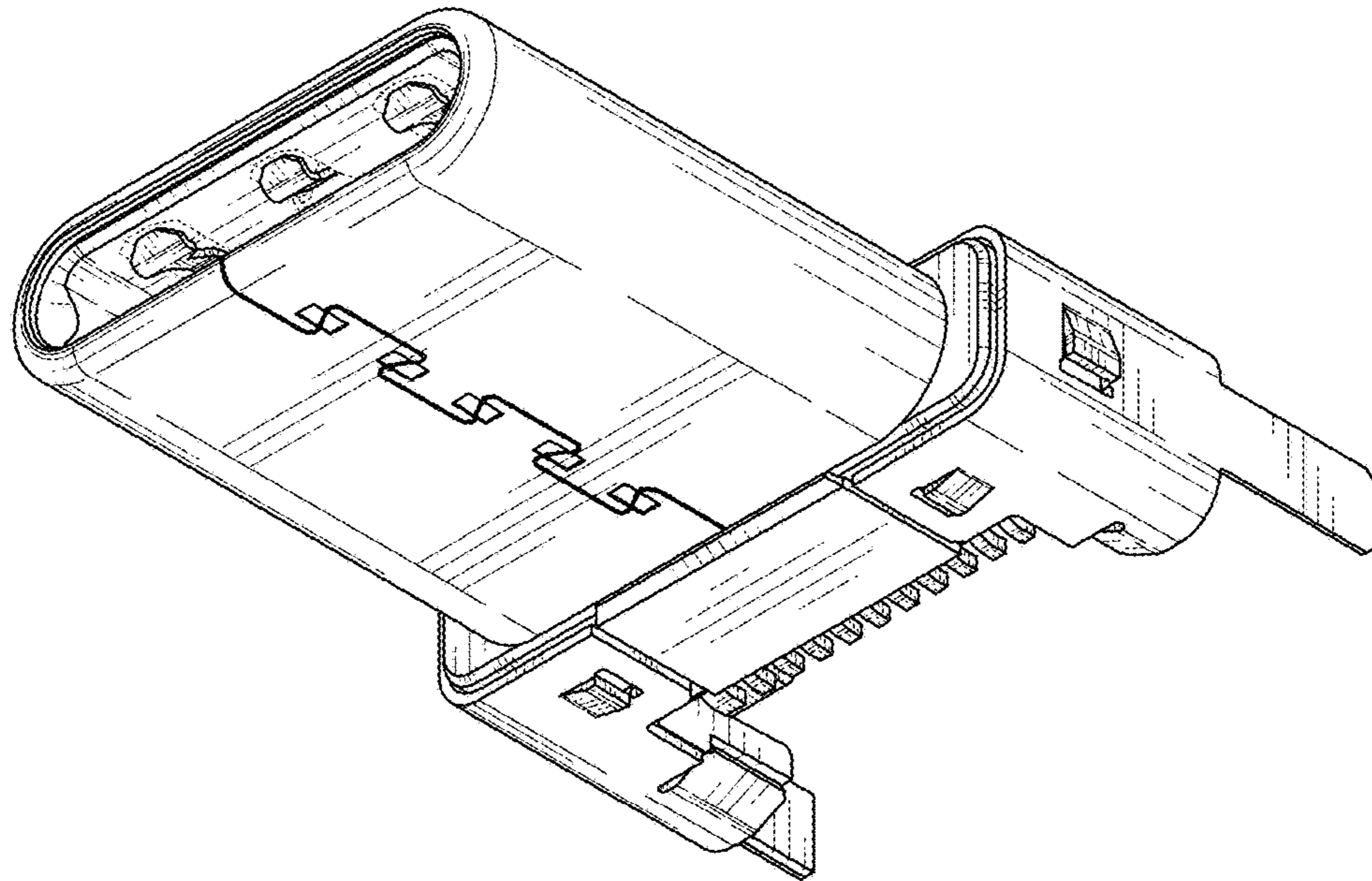


FIG. 9

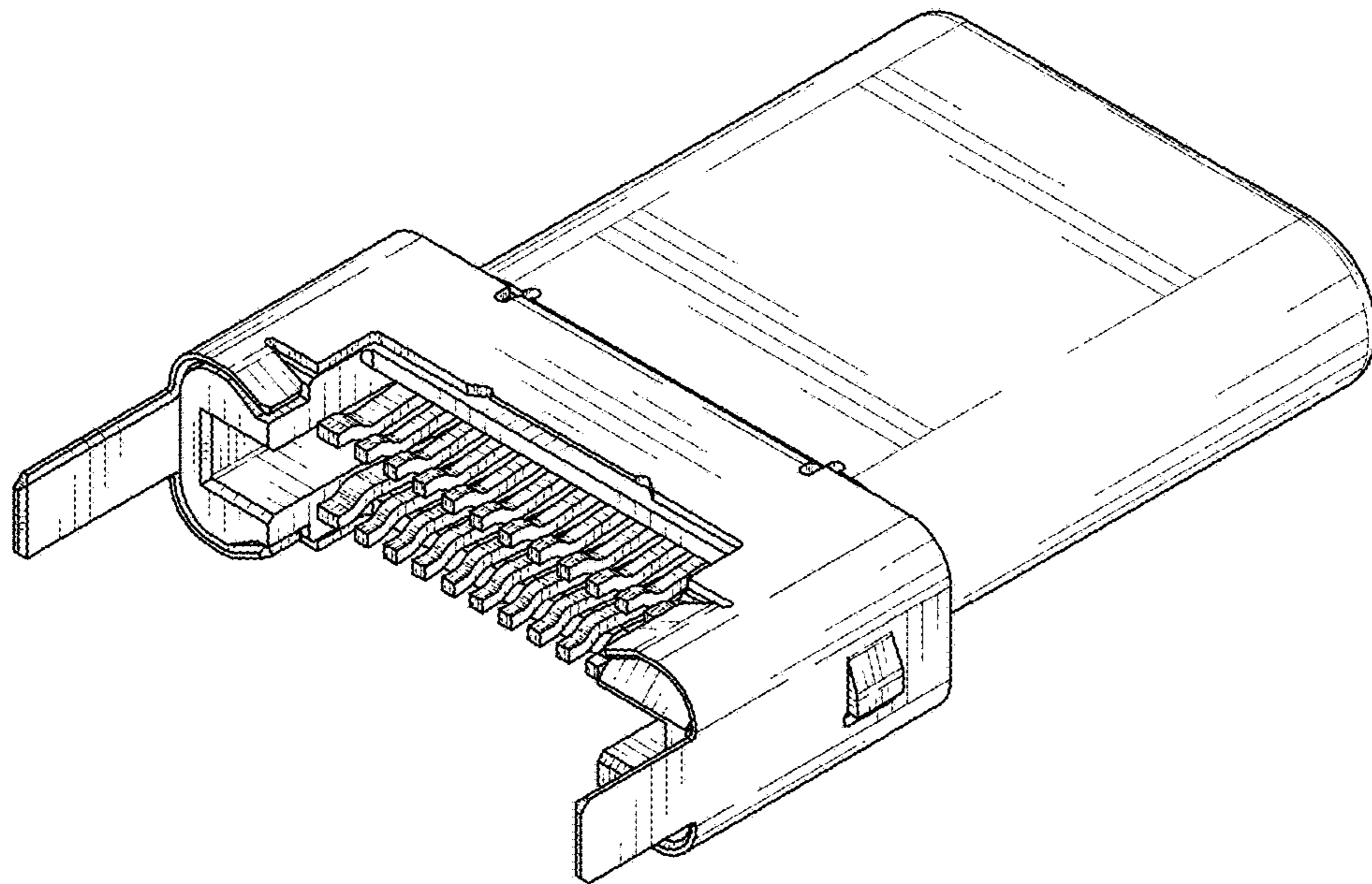


FIG. 10