



US00D837159S

(12) **United States Design Patent** (10) **Patent No.:** **US D837,159 S**  
**Untiedt et al.** (45) **Date of Patent:** **\*\* Jan. 1, 2019**

(54) **CONNECTOR**  
(71) Applicant: **LEONI KABEL GMBH**, Nürnberg (DE)  
(72) Inventors: **Christoph Untiedt**, Berßen (DE); **Jens Liebel**, Jemgum (DE)  
(73) Assignee: **LEONI Kabel GmbH**, Nuremberg (DE)  
(\*\*) Term: **15 Years**  
(21) Appl. No.: **35/503,990**  
(22) Filed: **Nov. 7, 2017**  
(80) **Hague Agreement Data**  
Int. Filing Date: **Nov. 7, 2017**  
Int. Reg. No.: **DM/098382**  
Int. Reg. Date: **Nov. 7, 2017**  
Int. Reg. Pub. Date: **Nov. 17, 2017**

(30) **Foreign Application Priority Data**  
May 8, 2017 (EM) ..... 3990571-0001  
(51) **LOC (11) Cl.** ..... **13-03**  
(52) **U.S. Cl.**  
USPC ..... **D13/133**  
(58) **Field of Classification Search**  
USPC ..... D13/133, 108, 146, 138.1, 147, 139.1, D13/156; D18/56  
CPC ..... H01R 9/0518; H01R 13/6397  
See application file for complete search history.

(56) **References Cited**  
U.S. PATENT DOCUMENTS  
5,267,882 A \* 12/1993 Davis ..... H01R 13/64 439/680  
D620,449 S \* 7/2010 Lee ..... D13/154

D622,224 S \* 8/2010 Lin ..... D13/147  
D626,073 S \* 10/2010 Skidmore ..... D13/146  
D632,255 S \* 2/2011 Victor ..... D13/147  
D634,710 S \* 3/2011 Hsieh ..... D13/147  
D635,931 S \* 4/2011 Amidon ..... D13/147  
D636,341 S \* 4/2011 Sasaki ..... D13/147  
D636,732 S \* 4/2011 Sasaki ..... D13/147  
D637,160 S \* 5/2011 Hu ..... D13/147  
D638,361 S \* 5/2011 Sasaki ..... D13/147  
D641,323 S \* 7/2011 Kondo ..... D13/147  
D642,128 S \* 7/2011 Ohkuma ..... D13/133  
D642,984 S \* 8/2011 Sasaki ..... D13/147  
D644,181 S \* 8/2011 Hu ..... D13/147  
D647,479 S \* 10/2011 Ohmori ..... D13/133  
D647,480 S \* 10/2011 Ohmori ..... D13/133  
D671,076 S \* 11/2012 Victor ..... D13/147  
D677,627 S \* 3/2013 Dobler ..... D13/133  
D693,309 S \* 11/2013 Lee ..... D13/147  
D700,576 S \* 3/2014 Torma ..... D13/133  
D704,140 S \* 5/2014 Little ..... D13/147  
D706,227 S \* 6/2014 Jiang ..... D13/156  
D709,032 S \* 7/2014 Akana ..... D13/147  
D709,454 S \* 7/2014 Takamoto ..... D13/147  
D715,739 S \* 10/2014 Chen ..... D13/139.1  
D730,291 S \* 5/2015 Chen ..... D13/138.1

(Continued)

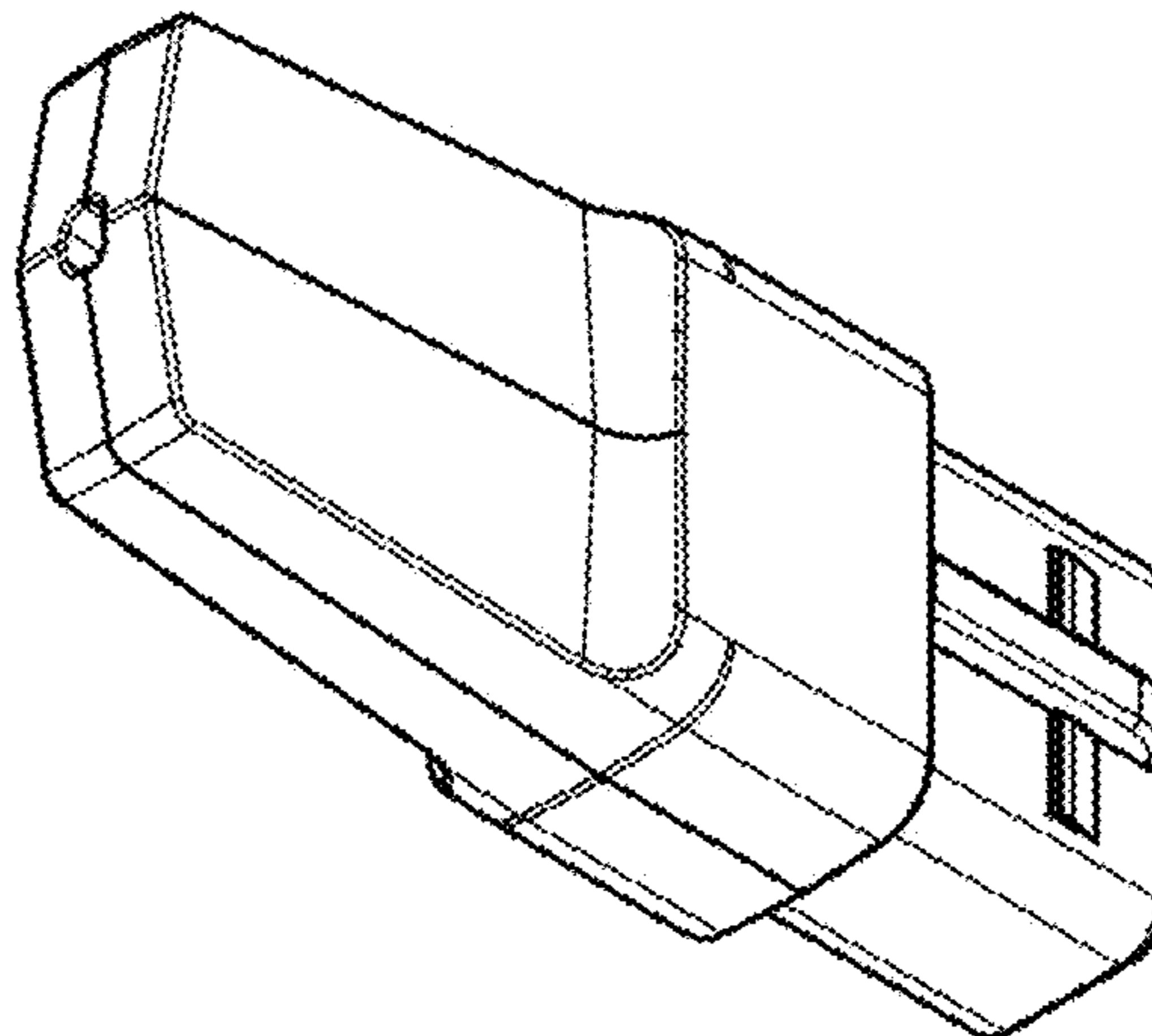
*Primary Examiner* — Rhea Shields  
(74) *Attorney, Agent, or Firm* — Laurence A. Greenberg; Werner H. Stemer; Ralph E. Locher

(57) **CLAIM**  
The ornamental design for a connector, as shown and described.

**DESCRIPTION**

- 1. Connector
- 1.1 : Perspective
- 1.2 : Right
- 1.3 : Top
- 1.4 : Left
- 1.5 : Bottom
- 1.6 : Back
- 1.7 : Front

**1 Claim, 7 Drawing Sheets**



(56)

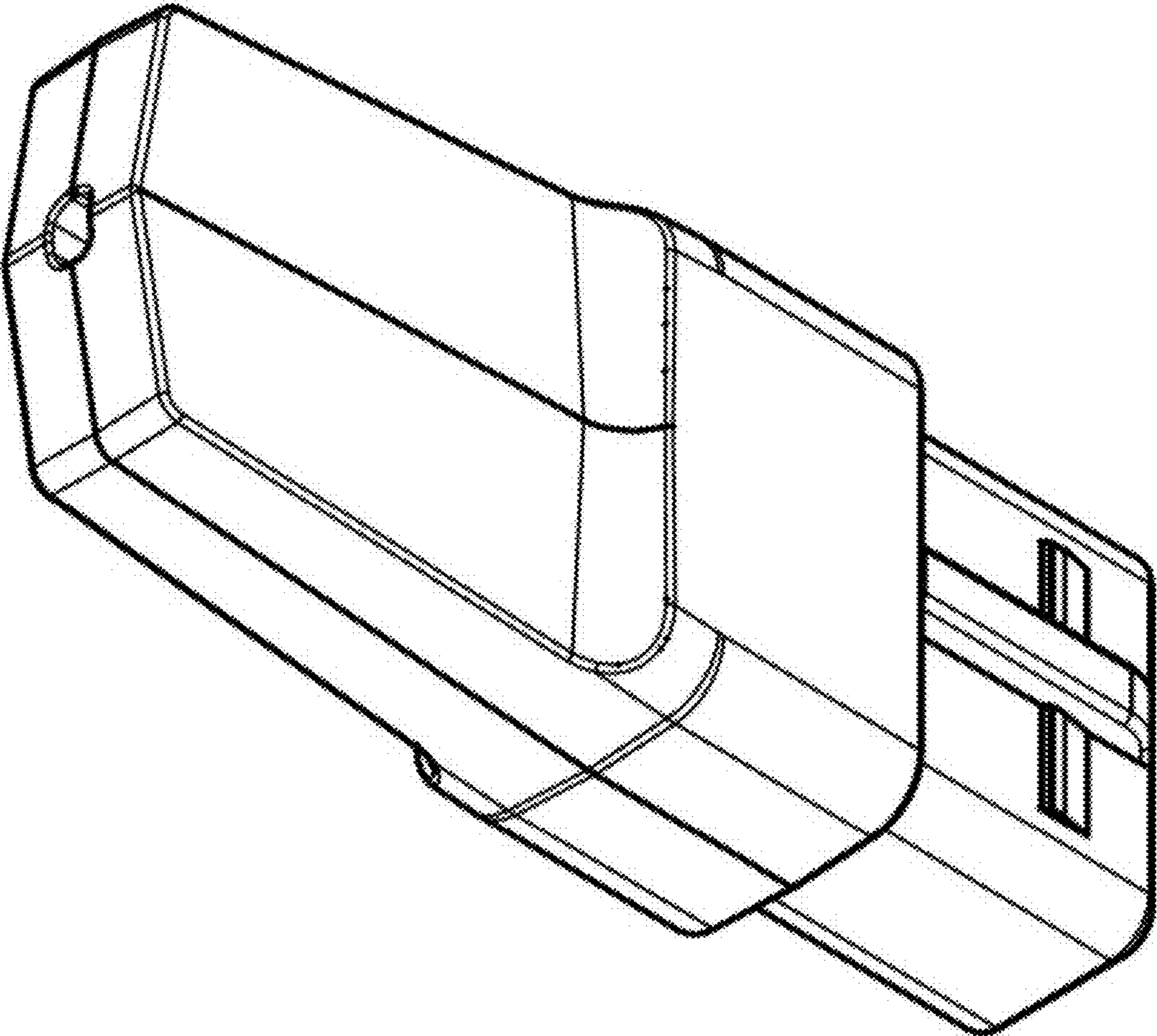
**References Cited**

U.S. PATENT DOCUMENTS

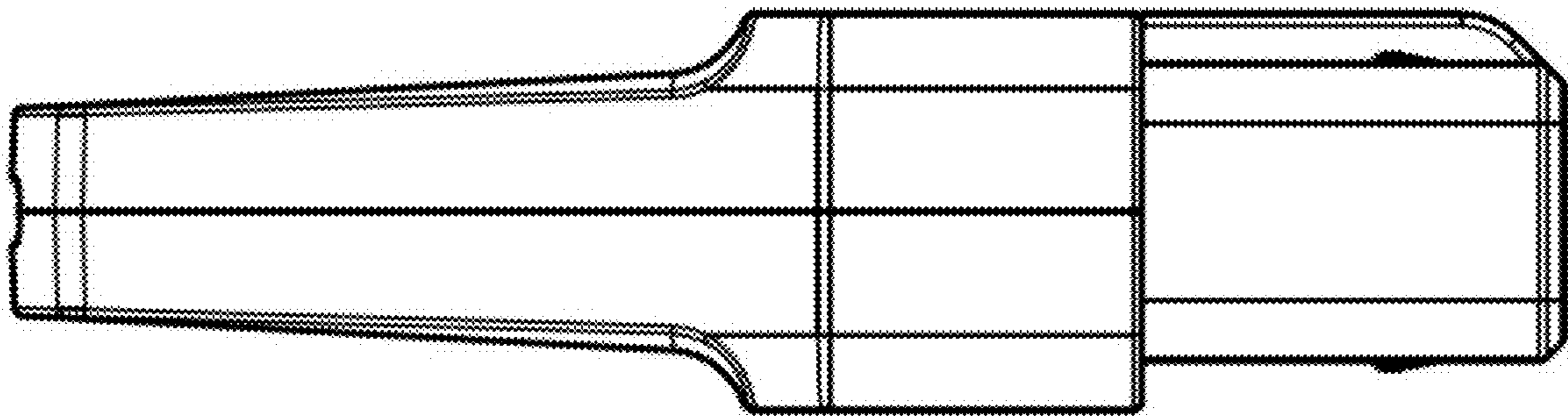
D746,232	S	*	12/2015	Chen	.....	D13/133
D791,705	S	*	7/2017	Li	.....	D13/147
D798,381	S	*	9/2017	Martin	.....	D18/56
D800,067	S	*	10/2017	Sasaki	.....	D13/133
D800,069	S	*	10/2017	Maskaly	.....	D13/146
D801,933	S	*	11/2017	Sasaki	.....	D13/133
9,812,814	B1	*	11/2017	Borkar	.....	H01R 13/6397
D815,601	S	*	4/2018	Tsay	.....	D13/147
D816,025	S	*	4/2018	Thompson	.....	D13/108
D816,040	S	*	4/2018	Corona	.....	D13/146
D821,327	S	*	6/2018	Smajda	.....	D13/138.1
D822,610	S	*	7/2018	Ramakrishna Gowda	..	D13/146
2014/0179143	A1	*	6/2014	Kapla	.....	439/310

\* cited by examiner

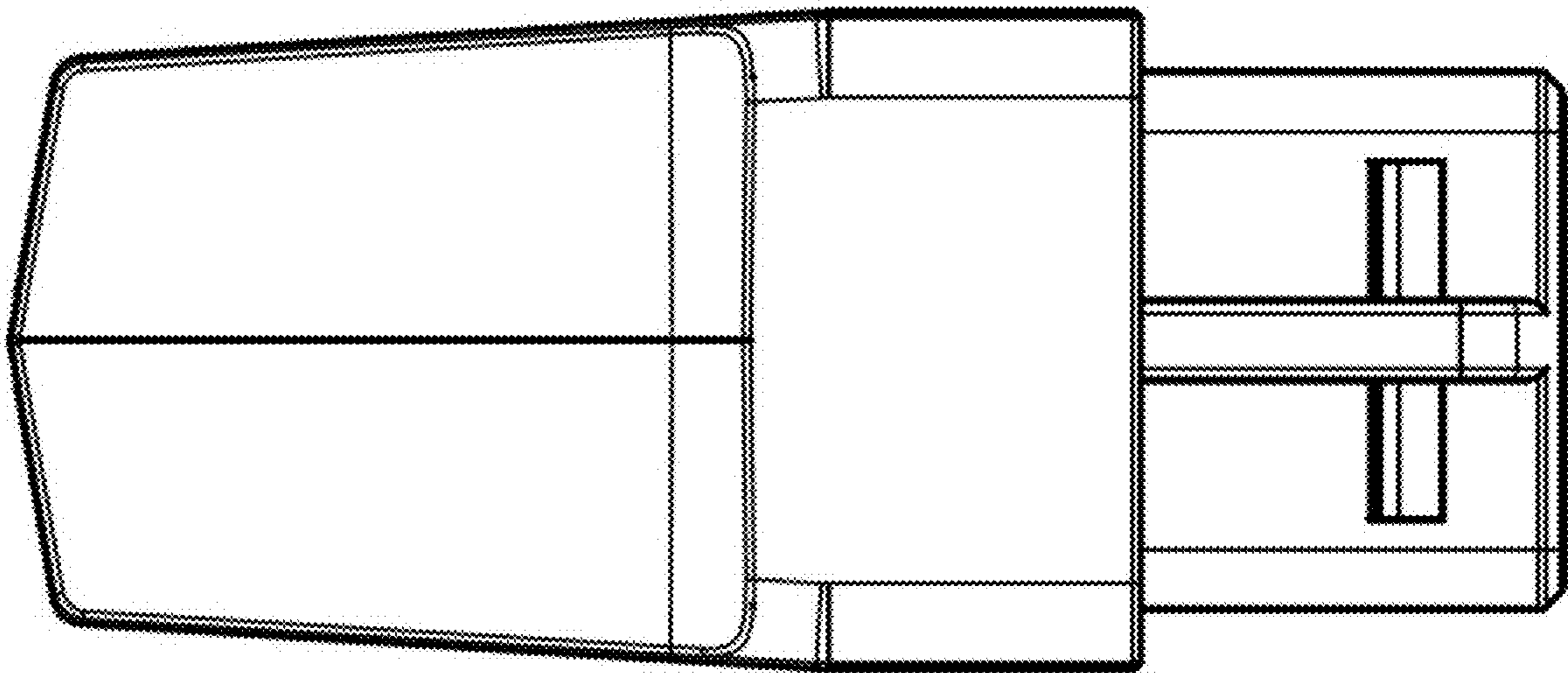
1.1



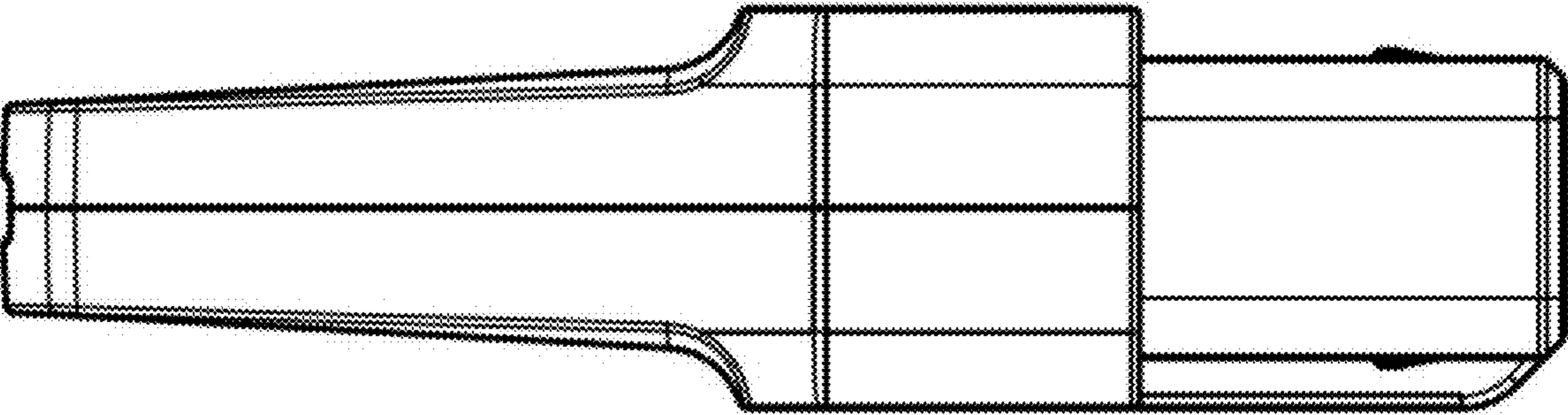
1.2



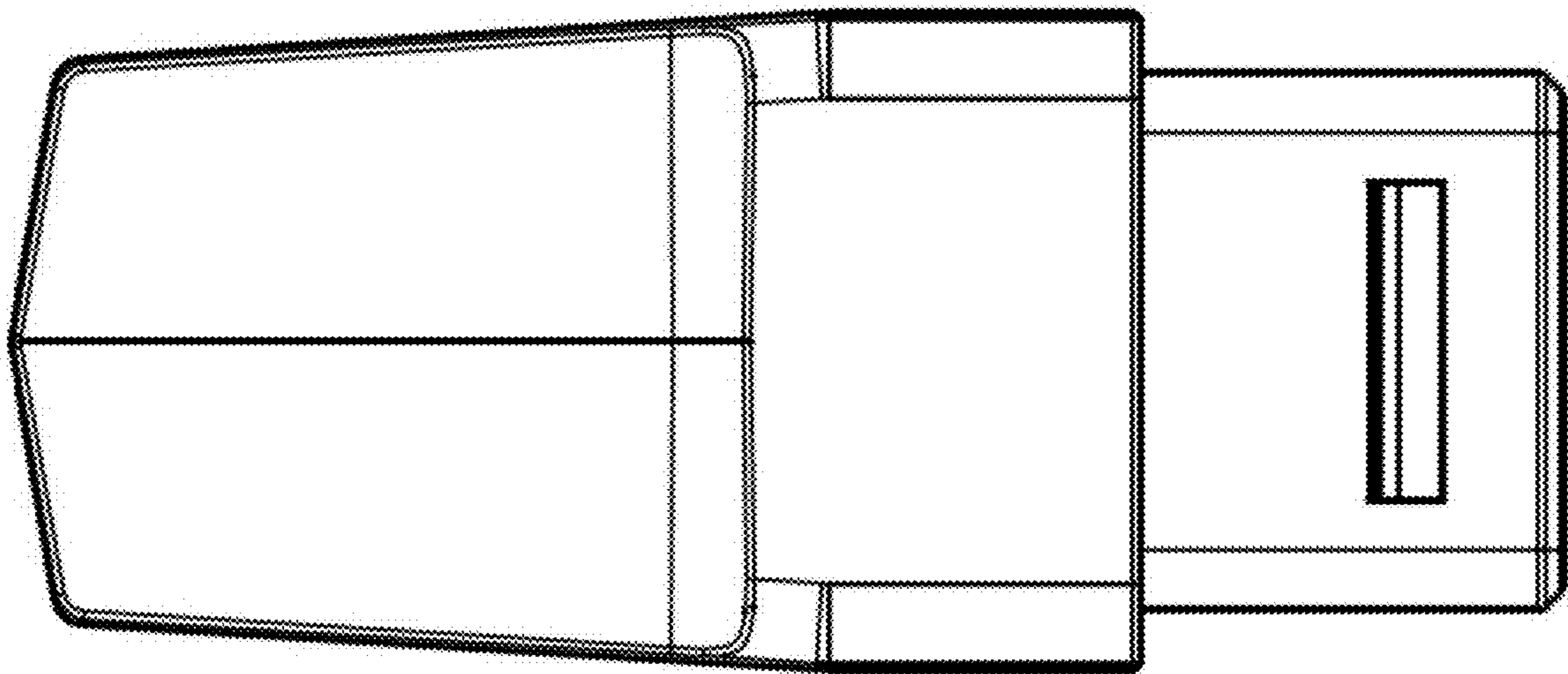
1.3



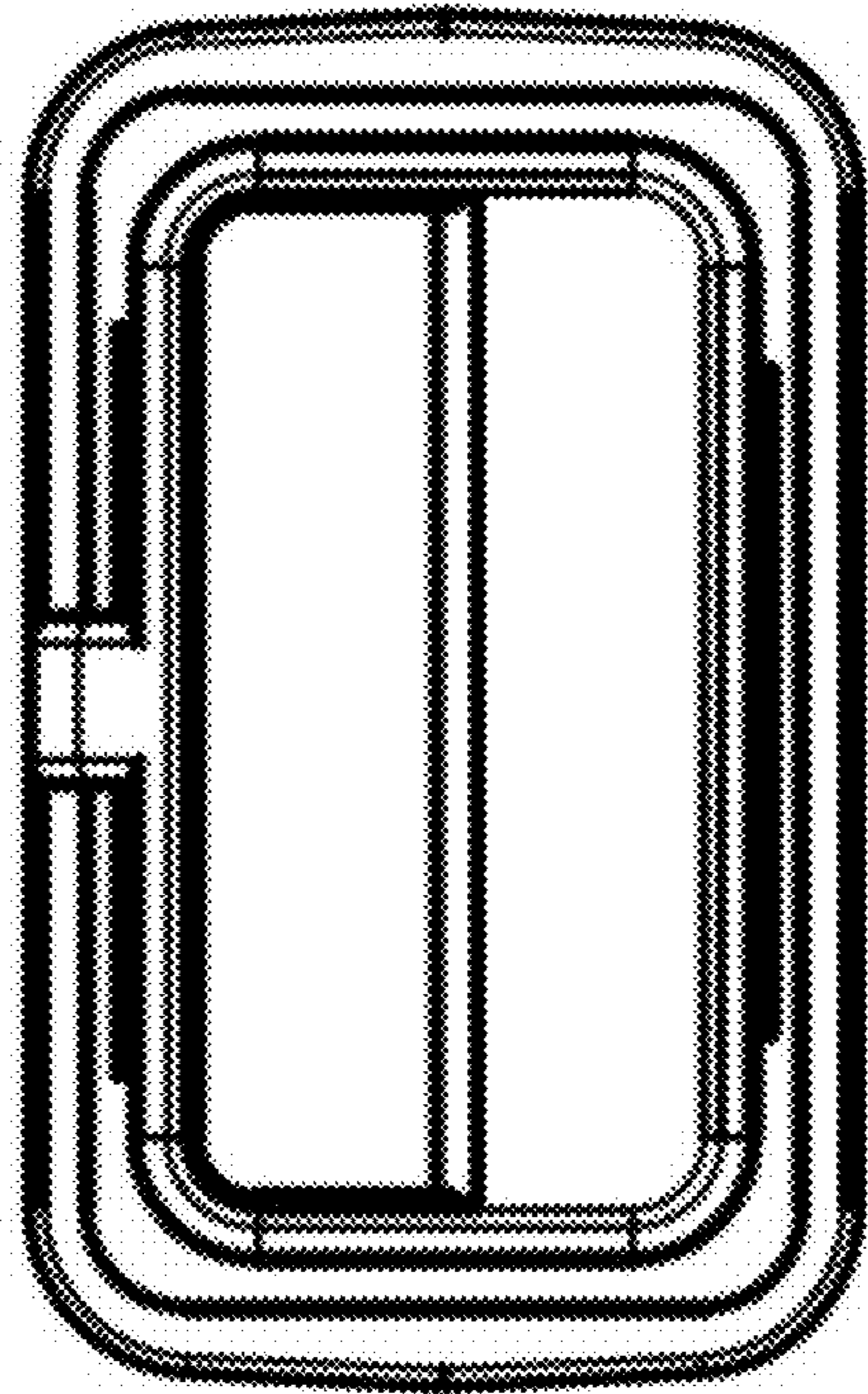
1.4



1.5



1.6





1.7

