

US00D837157S

(12) **United States Design Patent**
Boone et al.

(10) **Patent No.:** **US D837,157 S**
(45) **Date of Patent:** **** Jan. 1, 2019**

(54) **PLUG**

4,003,616 A 1/1977 Springer
D315,956 S * 4/1991 Dragan D24/112
D334,803 S * 4/1993 Discko, Jr. D24/112

(Continued)

(71) Applicants: **GYRUS ACMI, INC.**, Southborough, MA (US); **OLYMPUS WINTER & IBE GMBH**, Hamburg (DE); **GYRUS MEDICAL LIMITED**, Fortran Road (GB)

FOREIGN PATENT DOCUMENTS

(72) Inventors: **Eric Boone**, Saint Michael, MN (US); **Kester J. Batchelor**, Mound, MN (US); **Daniel Thomas**, Radyr (GB); **Mario Arnold**, Teltow (DE); **Friedemann Schreiber**, Hamburg (DE)

CN 101867122 B 10/2012
DE 19509336 A1 9/1995
EP 2469664 A1 6/2012

OTHER PUBLICATIONS

(73) Assignees: **Gyrus Acmi, Inc.**, Southborough, MA (US); **Gyrus Medical Limited**, St. Mellons, Cardiff (GB); **Olympus Winter & Ibe GmbH**, Hamburg (DE)

56PA Australia Angled Plugs, available at http://www.alibaba.com/product-detail/56PA-Australia-Angled-plugs_671348986.html, last accessed Jun. 22, 2016.

(Continued)

(**) Term: **15 Years**

Primary Examiner — David G Muller

Assistant Examiner — Nathan M Johnston

(21) Appl. No.: **29/600,264**

(74) *Attorney, Agent, or Firm* — The Dobrusin Law Firm, P.C.; Daniel P. Aleksynas

(22) Filed: **Apr. 11, 2017**

(51) **LOC (11) Cl.** **13-03**

(52) **U.S. Cl.**

USPC **D13/133**; D13/149

(58) **Field of Classification Search**

USPC D24/129, 112-114, 130, 104, 133, 186, D24/108, 127, 101; 606/181, 185; 604/264, 272, 115, 164.01-164.09, 533, 604/232, 187, 168.01, 192, 19, 48, 93.01, 604/523, 524, 526; 600/101, 139, 143; 128/200.24, 207.14, 207.15; 601/67; D13/133, 138.1, 156, 170, 110, 149
CPC H01R 24/28; H01R 13/64; H01R 13/631; H01R 2107/00

See application file for complete search history.

(56) **References Cited**

U.S. PATENT DOCUMENTS

3,104,925 A * 9/1963 MacNamara H01R 13/112 439/857
3,950,052 A 4/1976 Walter et al.

(57) **CLAIM**

The ornamental design for a plug, as shown and described.

DESCRIPTION

FIG. 1 is a rear perspective view of a plug showing our new design.

FIG. 2 is a front perspective view thereof.

FIG. 3 is a side elevation view thereof.

FIG. 4 is a side elevation view thereof.

FIG. 5 is a top plan view thereof.

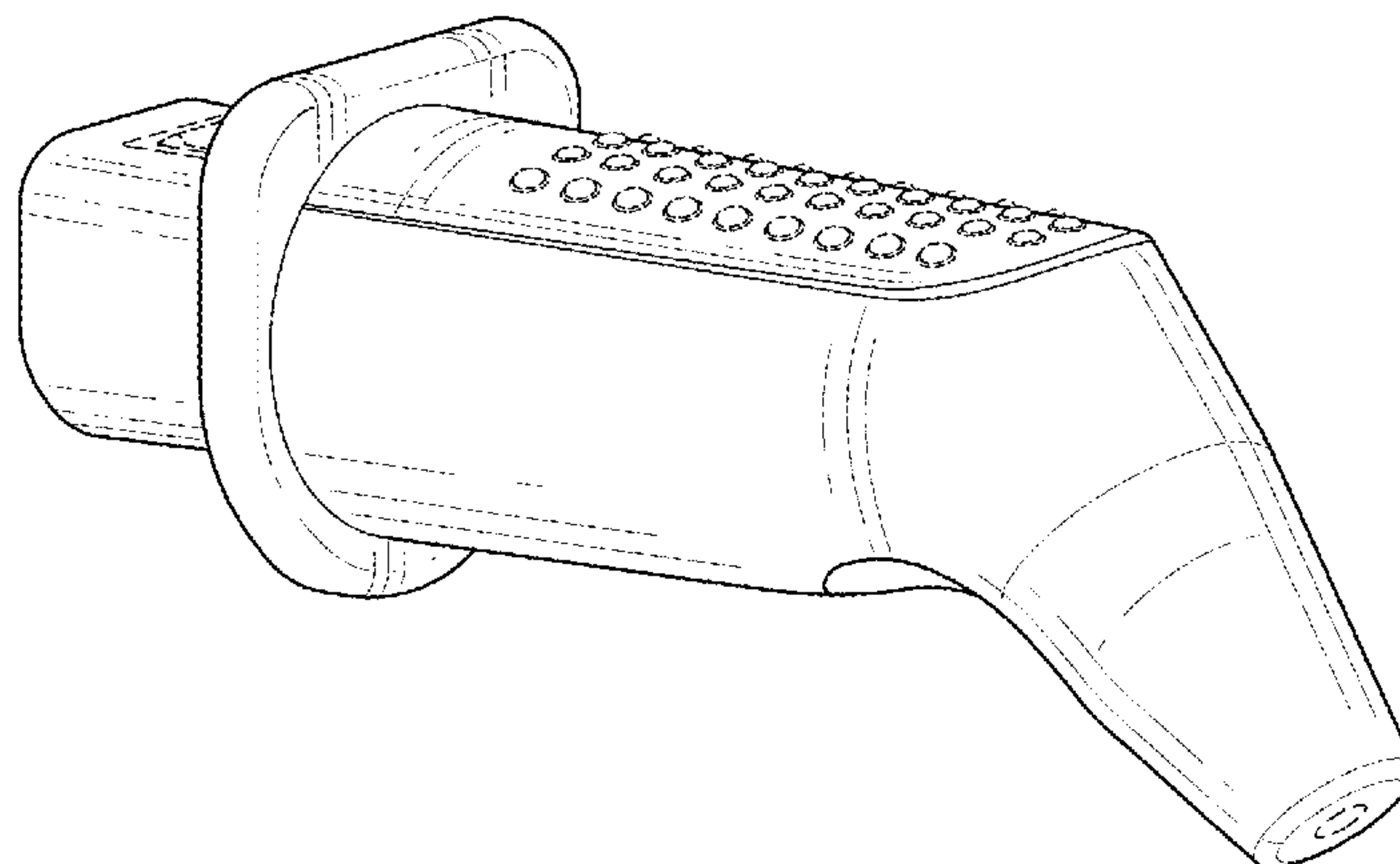
FIG. 6 is a bottom plan view thereof.

FIG. 7 is a front elevation view thereof; and,

FIG. 8 is a rear elevation view thereof.

The broken lines illustrate portions of the plug that form no part of the claimed designs.

1 Claim, 4 Drawing Sheets



(56)

References Cited

U.S. PATENT DOCUMENTS

D362,657 S * 9/1995 Tomikawa D13/110
 D373,110 S * 8/1996 Fukao D13/146
 5,567,181 A 10/1996 Lentz et al.
 D384,036 S * 9/1997 Janci D13/144
 5,713,348 A * 2/1998 Pell A61M 16/0463
 128/202.27
 D420,977 S * 2/2000 Lohrding D13/110
 D434,834 S * 12/2000 Goto D23/262
 D489,326 S * 5/2004 Nazar D13/110
 D496,904 S * 10/2004 Nazar D13/110
 D519,103 S * 4/2006 Sabick D14/205
 D544,600 S * 6/2007 Wentling D24/130
 D553,081 S * 10/2007 Victor D13/133
 D602,593 S * 10/2009 Cheetham D24/176
 D615,182 S * 5/2010 Abe D23/386
 D620,118 S * 7/2010 Cheetham D24/176
 D634,709 S * 3/2011 Ichio D13/119
 D635,241 S * 3/2011 McLean D24/110
 D644,328 S * 8/2011 Pauser D24/176
 D663,692 S * 7/2012 Sebald D13/133
 D669,033 S * 10/2012 Senk D13/133
 D688,385 S * 8/2013 Trump D24/224
 D727,848 S * 4/2015 Burgett D13/133
 D741,477 S * 10/2015 Rogers D24/129
 D743,893 S * 11/2015 Kuribayashi D13/146

D749,716 S * 2/2016 Holmgren D24/108
 D750,258 S * 2/2016 Crossley D24/129
 D770,880 S * 11/2016 Taylor D8/330
 D782,684 S * 3/2017 Pippel D24/186
 D782,692 S * 3/2017 Osada D24/220
 D795,193 S * 8/2017 Huang D13/133
 D795,423 S * 8/2017 Chen D24/133
 D799,694 S * 10/2017 Mori D24/133
 D800,316 S * 10/2017 Evers D24/176
 D808,515 S * 1/2018 Atkin D24/110
 D810,686 S * 2/2018 Cantz D13/133
 2006/0094285 A1 5/2006 Newell
 2008/0156322 A1* 7/2008 Isenberg A61M 16/0488
 128/200.26
 2015/0303737 A1 10/2015 Steinbuchel, IV et al.
 2017/0373447 A1* 12/2017 Schreiber H01R 24/28

OTHER PUBLICATIONS

AeroVironment TurboCord, available at http://store.evsolutions.com/turbocord-240v-ul-listed-p51.aspx?utm_medium=cse&utm_source=googlebase&gclid=C16Mzf-KvM0CFQqKaQodlegElQg, last accessed Jun. 22, 2016.
 Potentially related co-pending Design U.S. Appl. No. 15/610,905, filed Jun. 1, 2017.

* cited by examiner

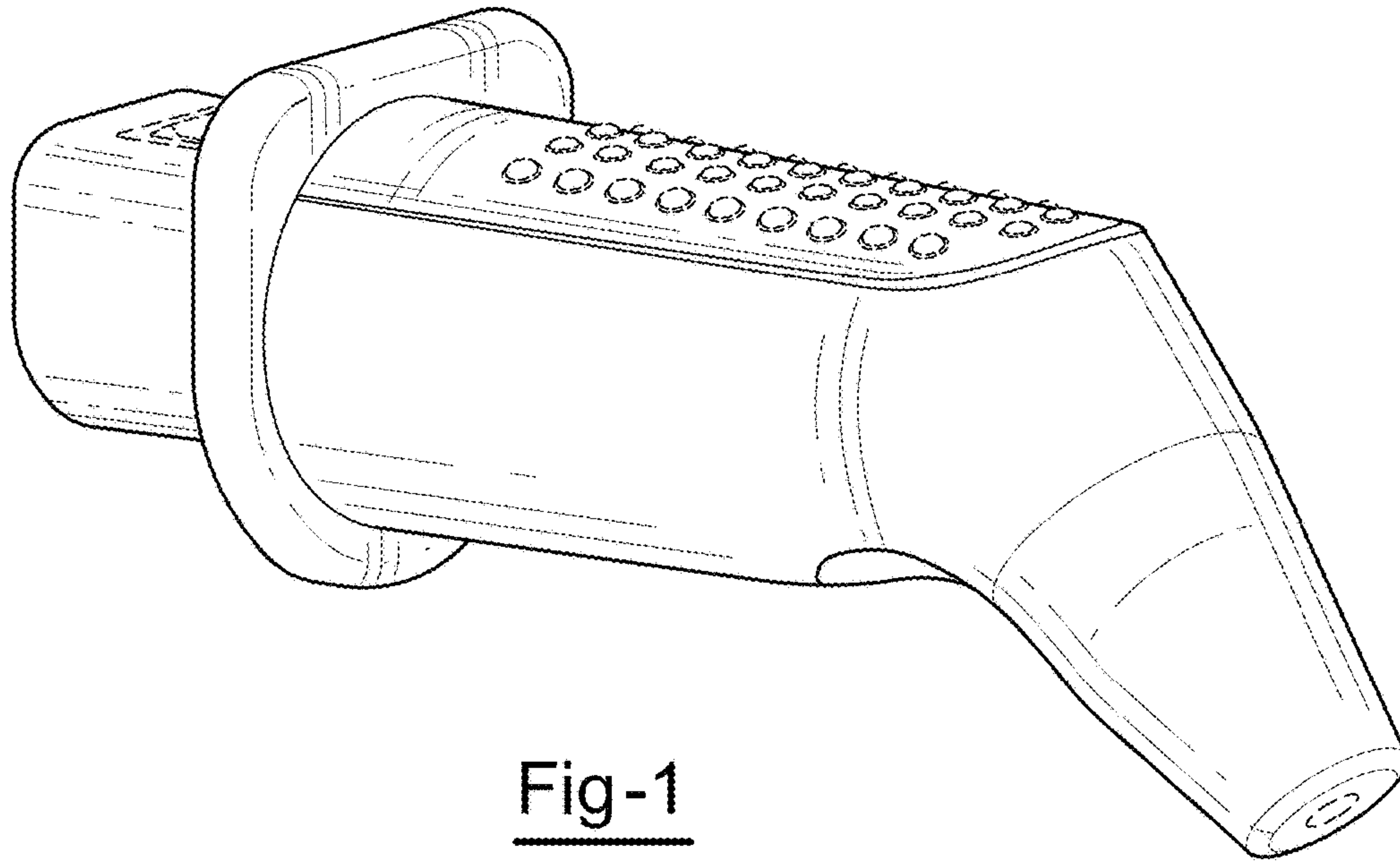


Fig-1

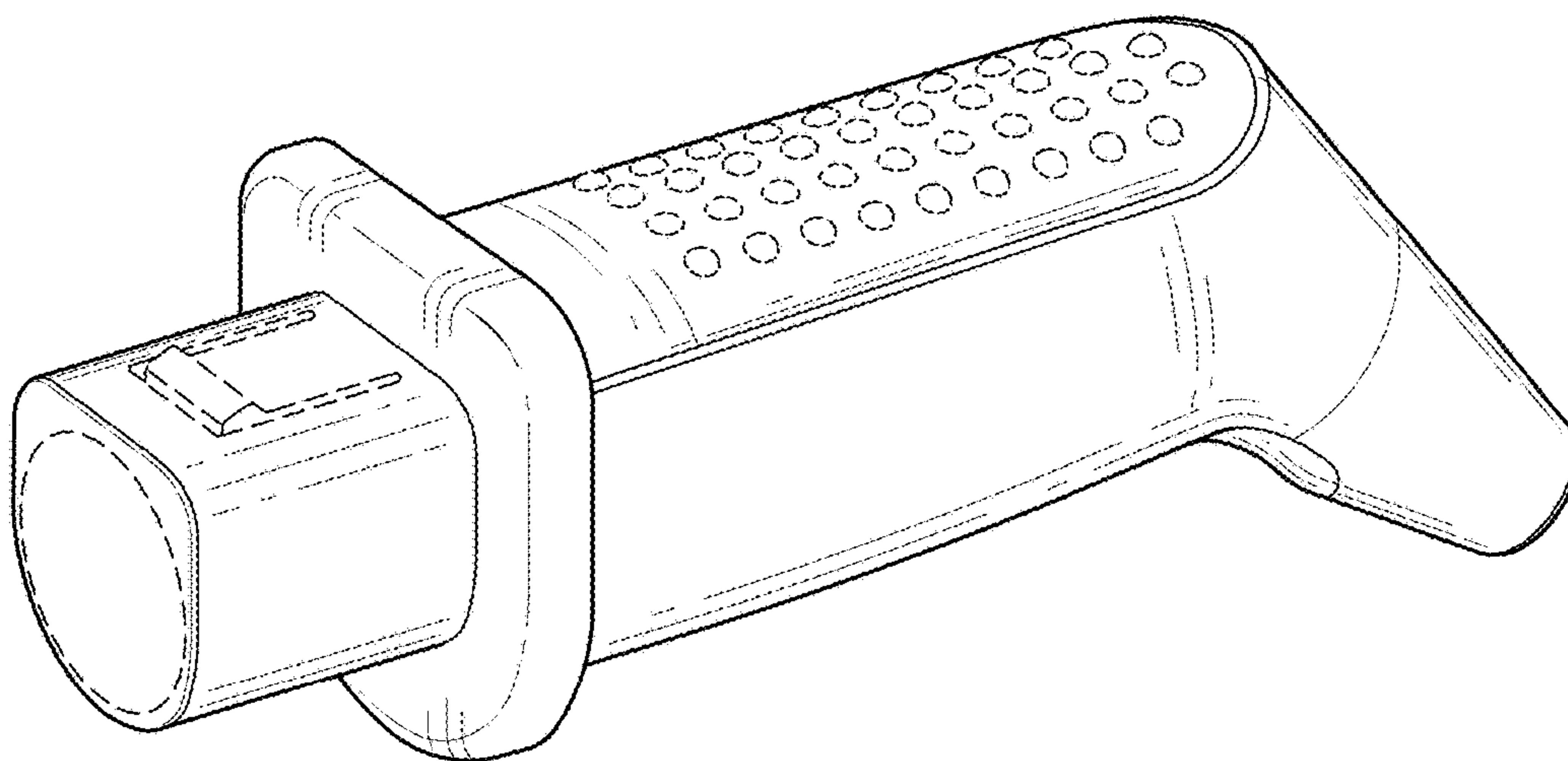


Fig-2

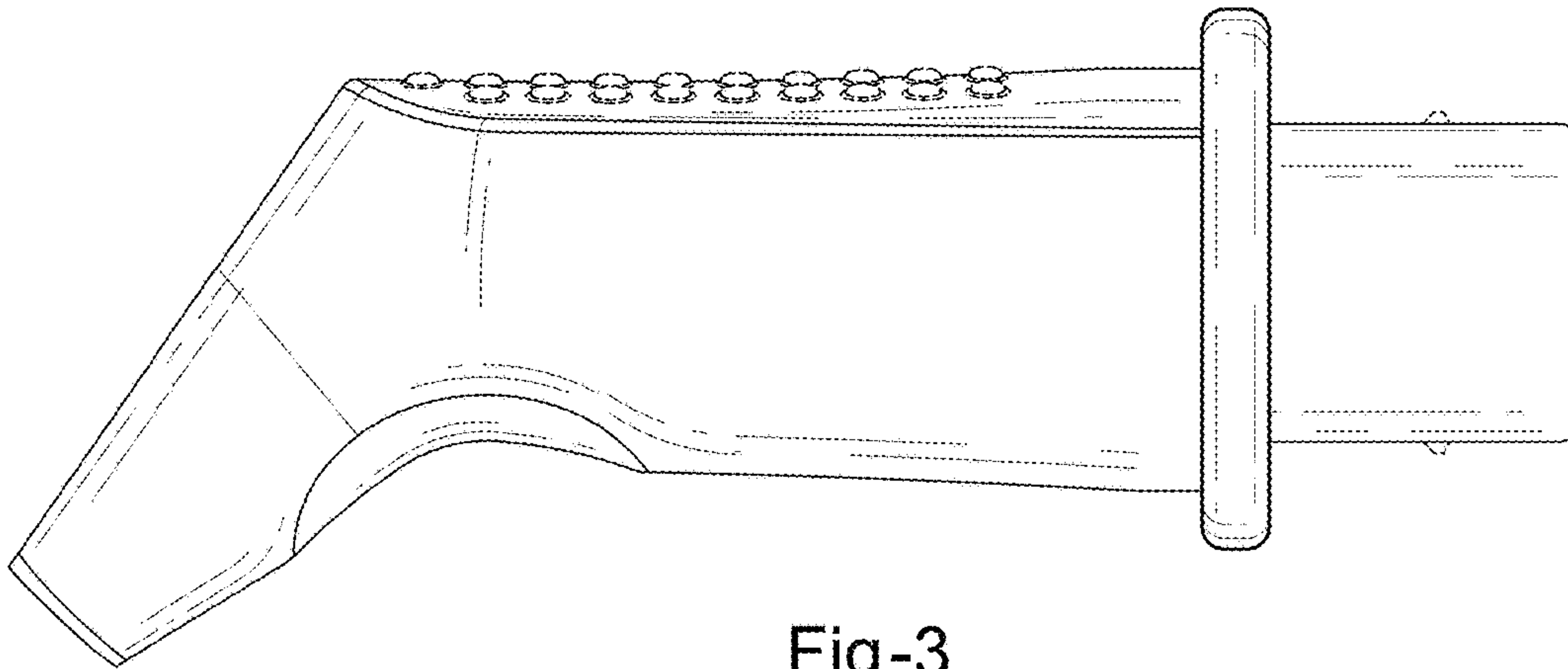


Fig-3

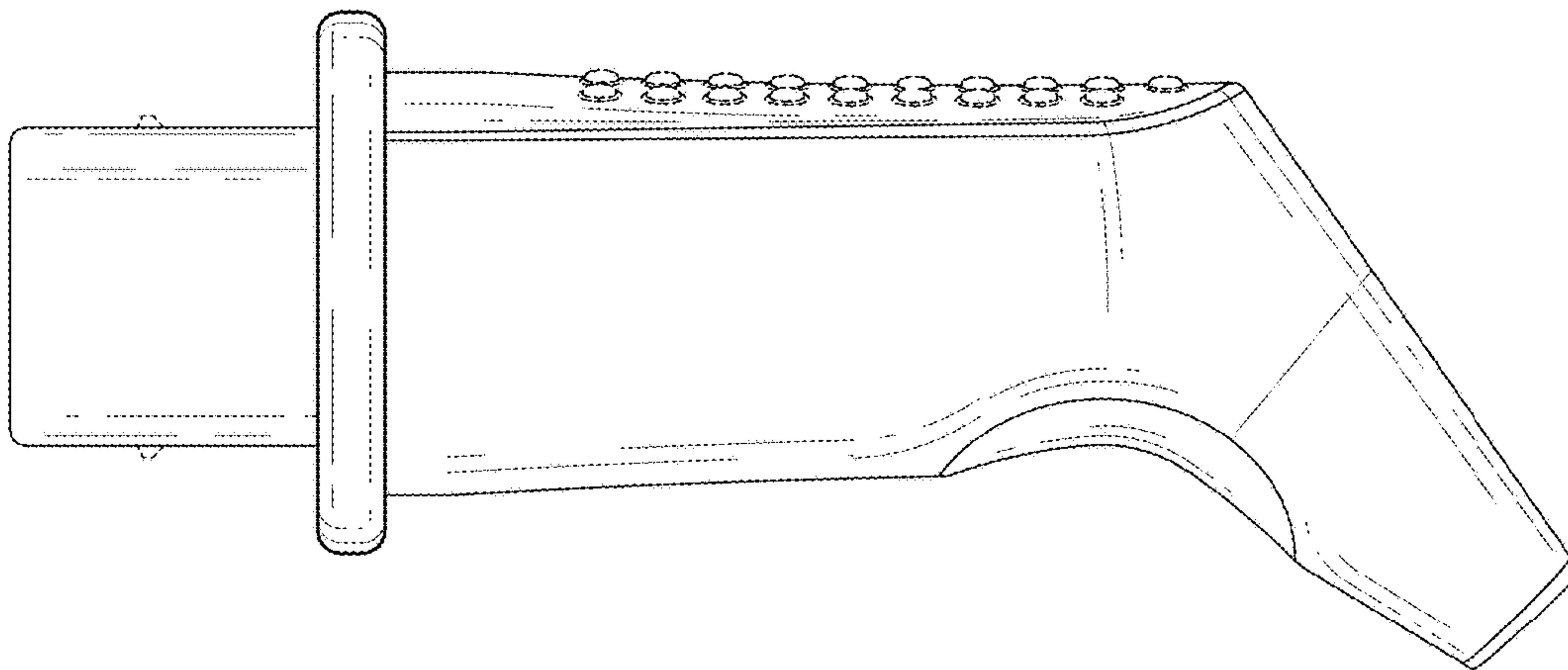


Fig-4

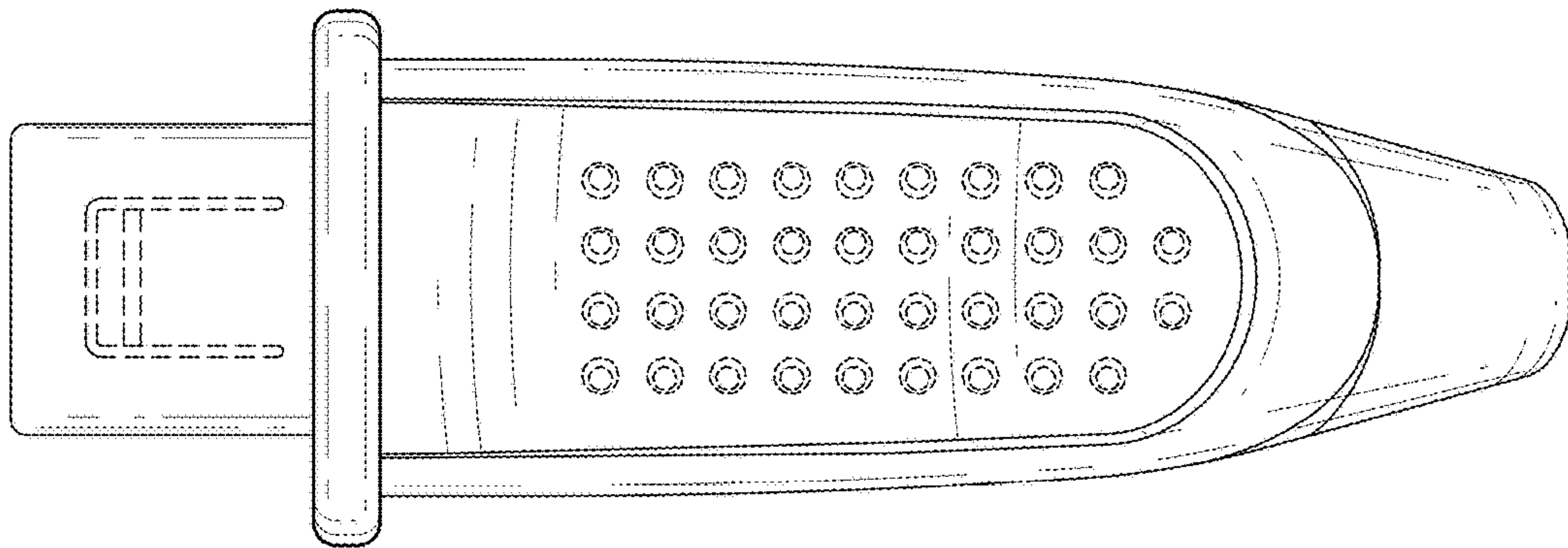


Fig-5

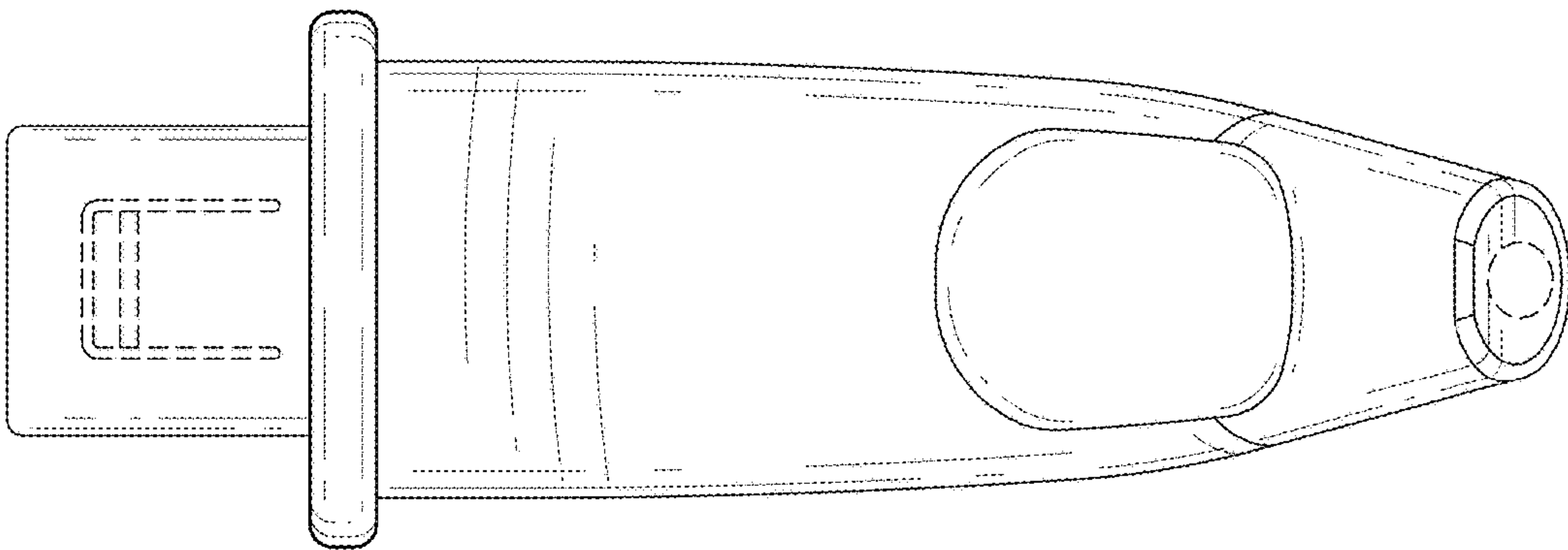


Fig-6

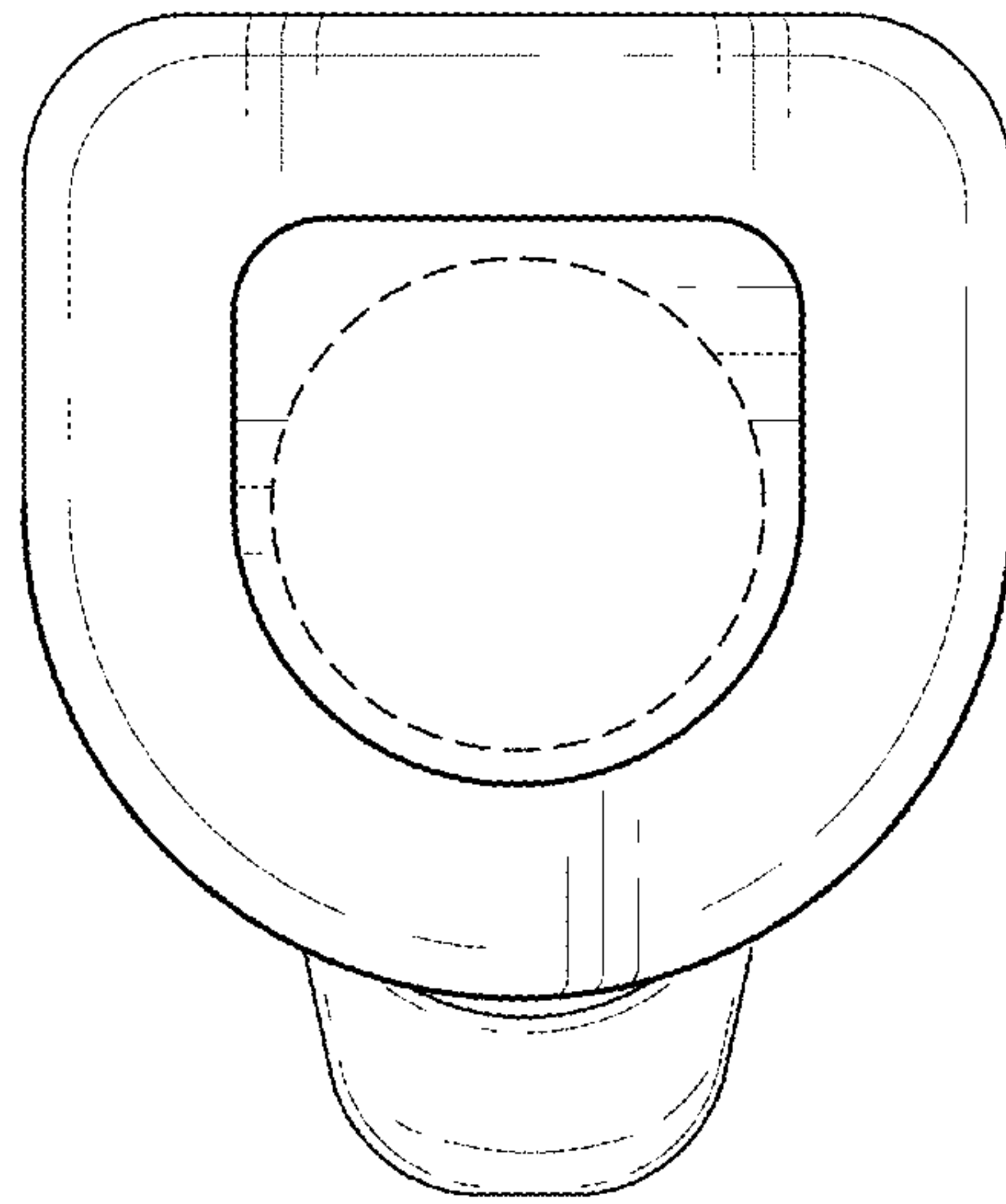


Fig-7

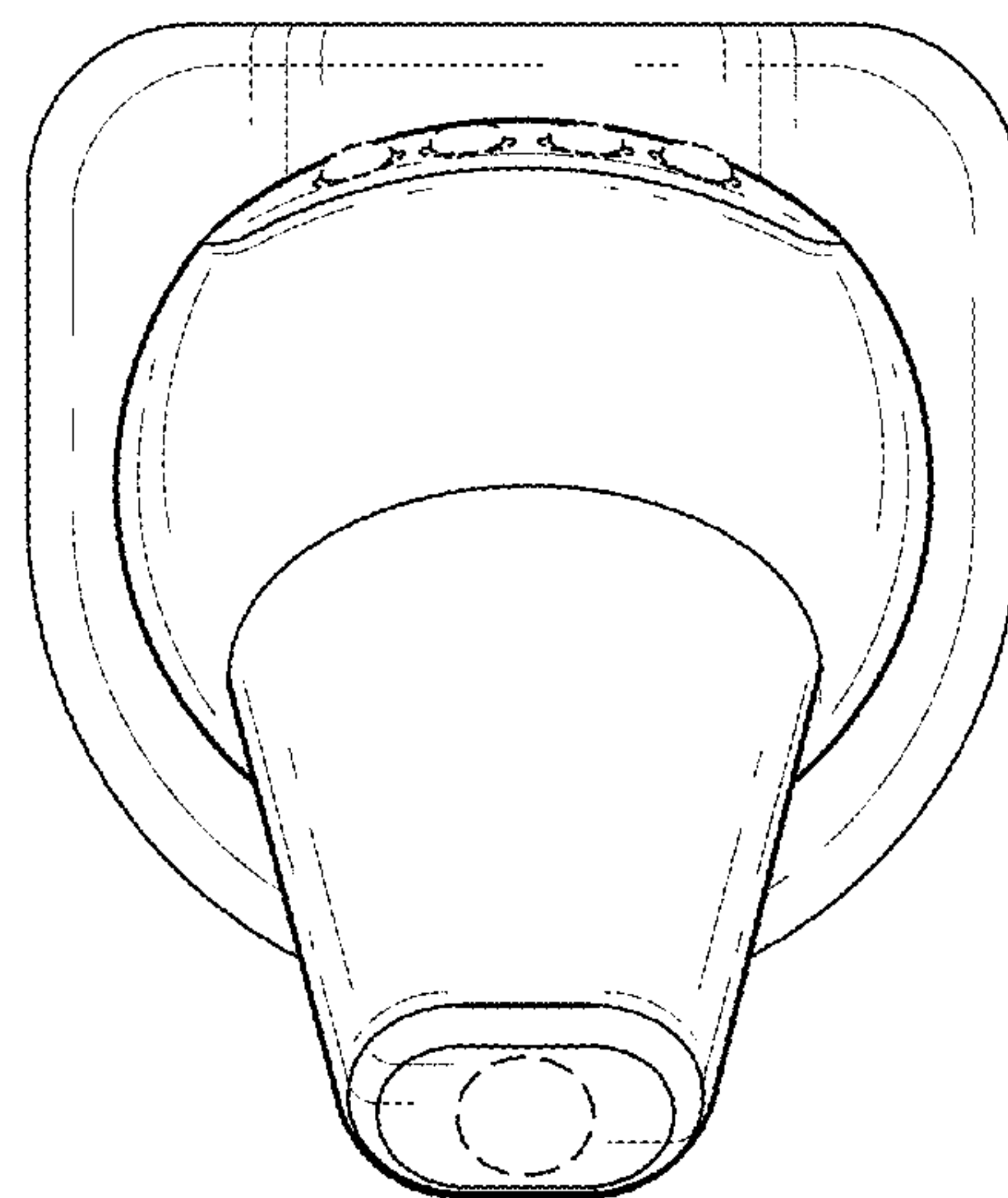


Fig-8