



US00D837156S

(12) **United States Design Patent**
Mikawa

(10) **Patent No.:** **US D837,156 S**

(45) **Date of Patent:** **** Jan. 1, 2019**

(54) **CONNECTOR**

(71) Applicant: **JAPAN AVIATION ELECTRONICS
INDUSTRY, LIMITED**, Tokyo (JP)

(72) Inventor: **Kazuya Mikawa**, Tokyo (JP)

(73) Assignee: **Japan Aviation Electronics Industry,
Limited**, Tokyo (JP)

(**) Term: **15 Years**

(21) Appl. No.: **29/584,641**

(22) Filed: **Nov. 16, 2016**

(30) **Foreign Application Priority Data**

Jun. 2, 2016 (JP) 2016-011833

(51) **LOC (11) Cl.** **13-02**

(52) **U.S. Cl.**
USPC **D13/120**

(58) **Field of Classification Search**
USPC D13/119, 120, 133, 146, 149, 154, 199
CPC H01R 12/57; H01R 12/714; H01R 11/24;
H01R 11/281; H01R 11/286
See application file for complete search history.

(56) **References Cited**

U.S. PATENT DOCUMENTS

- 6,113,440 A * 9/2000 Fijten H01R 13/2492
439/862
- D500,735 S * 1/2005 Shirae D13/133
- D537,037 S * 2/2007 Takehara D13/133
- D538,228 S * 3/2007 Wang D13/146

- D571,723 S * 6/2008 Chen D13/120
- D575,229 S * 8/2008 Chen D13/120
- D584,688 S * 1/2009 Sasada D13/133
- D591,676 S * 5/2009 Hung D13/120
- D602,865 S * 10/2009 Zhang D13/120
- D694,191 S * 11/2013 Lien D13/149
- D725,046 S * 3/2015 Kuo D13/154

* cited by examiner

Primary Examiner — Derrick E Holland

Assistant Examiner — Jennifer O King

(74) *Attorney, Agent, or Firm* — Cermak Nakajima &
McGowan LLP; Tomoko Nakajima

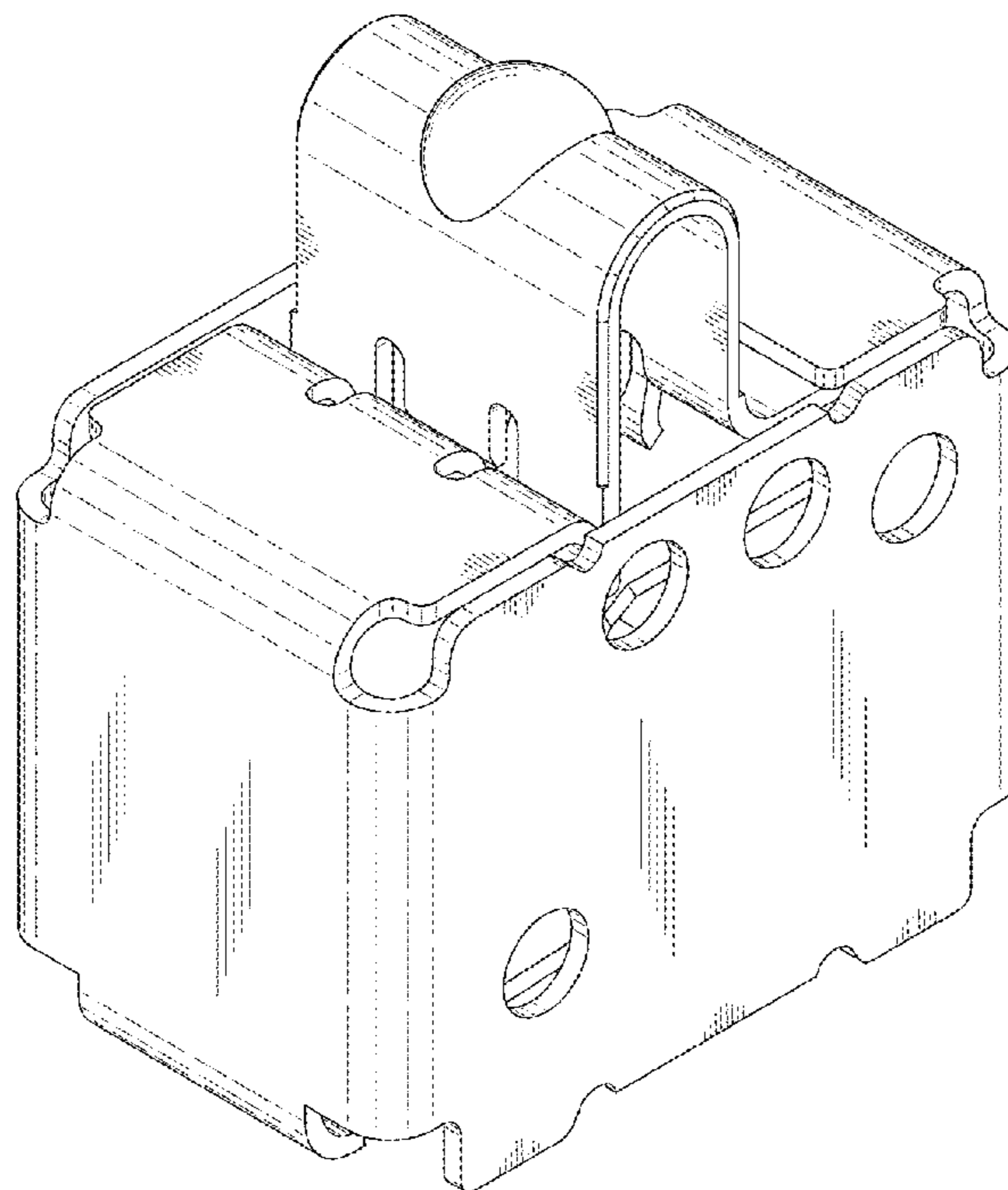
(57) **CLAIM**

The ornamental design for a connector, as shown and described.

DESCRIPTION

FIG. 1 is a front elevational view of a connector showing my new design;
 FIG. 2 is a top plan view thereof;
 FIG. 3 is a right side elevational view thereof;
 FIG. 4 is a left side elevational view thereof;
 FIG. 5 is a rear elevational view thereof; and
 FIG. 6 is a bottom plan view thereof.
 FIG. 7 is a front and top perspective view thereof;
 FIG. 8 is a rear and top perspective view thereof;
 FIG. 9 is a front and bottom perspective view thereof; and
 FIG. 10 is a rear and bottom perspective view thereof; and,
 FIG. 11 is a cross sectional view thereof taken along the line 11-11 shown in FIG. 2.

1 Claim, 11 Drawing Sheets



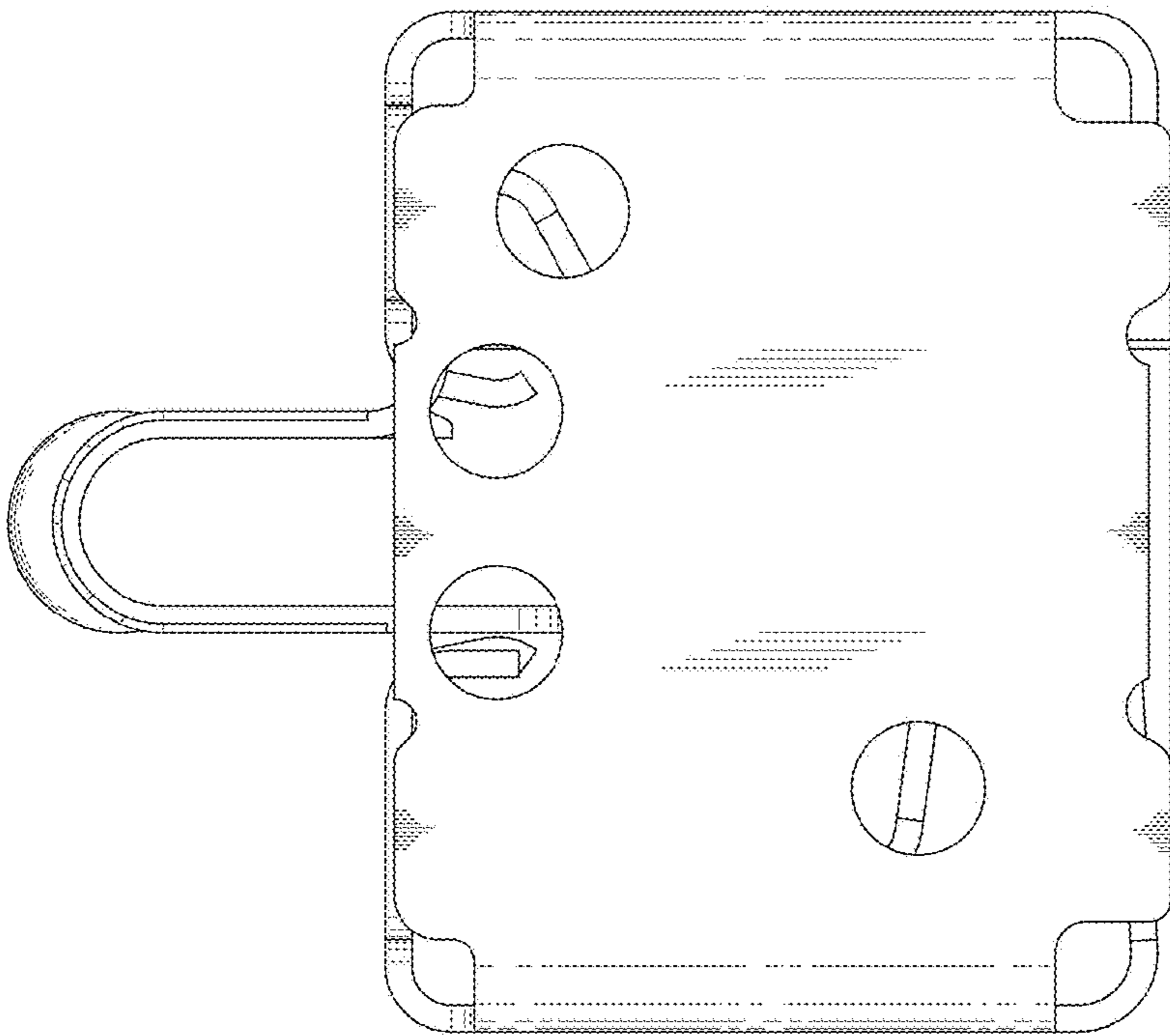


FIG.1

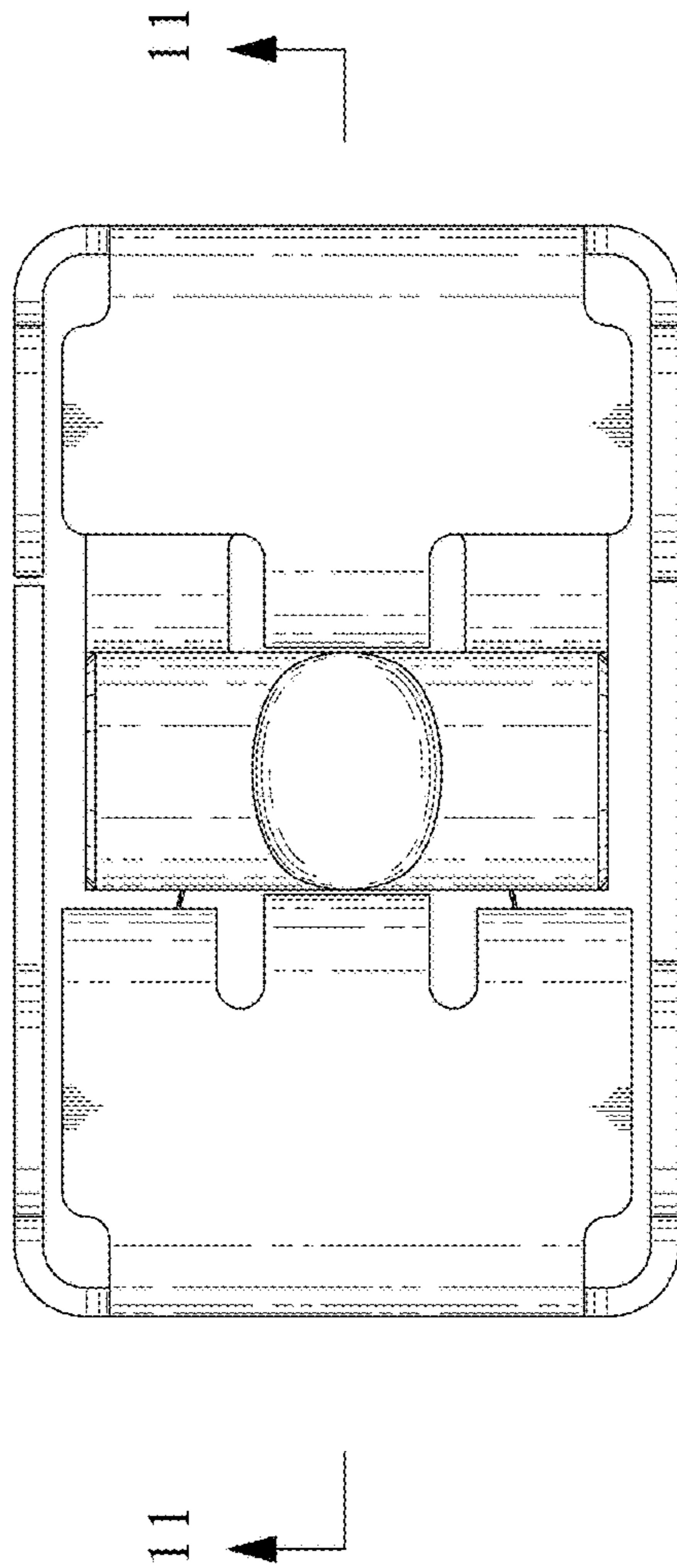


FIG.2

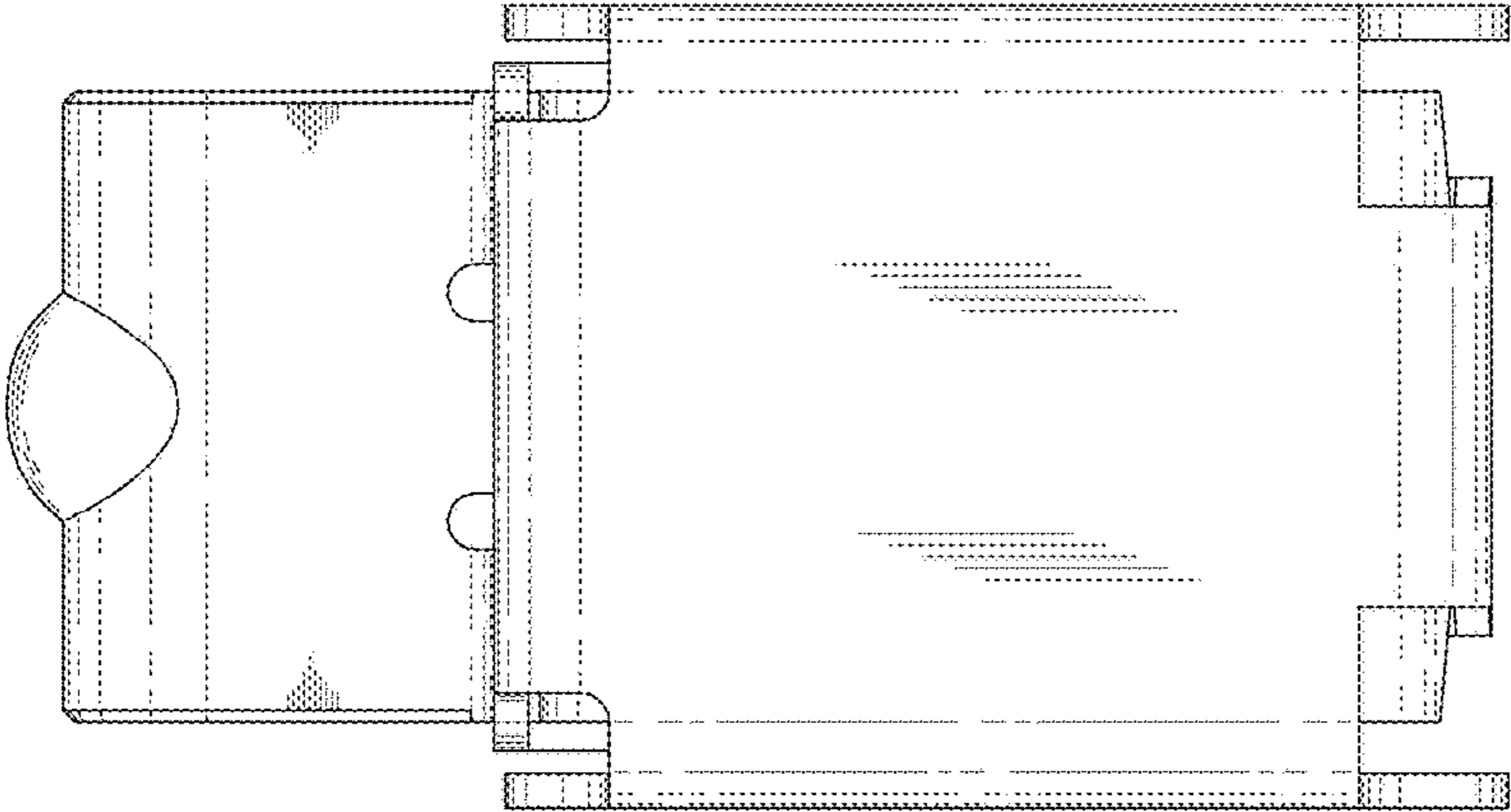


FIG.3

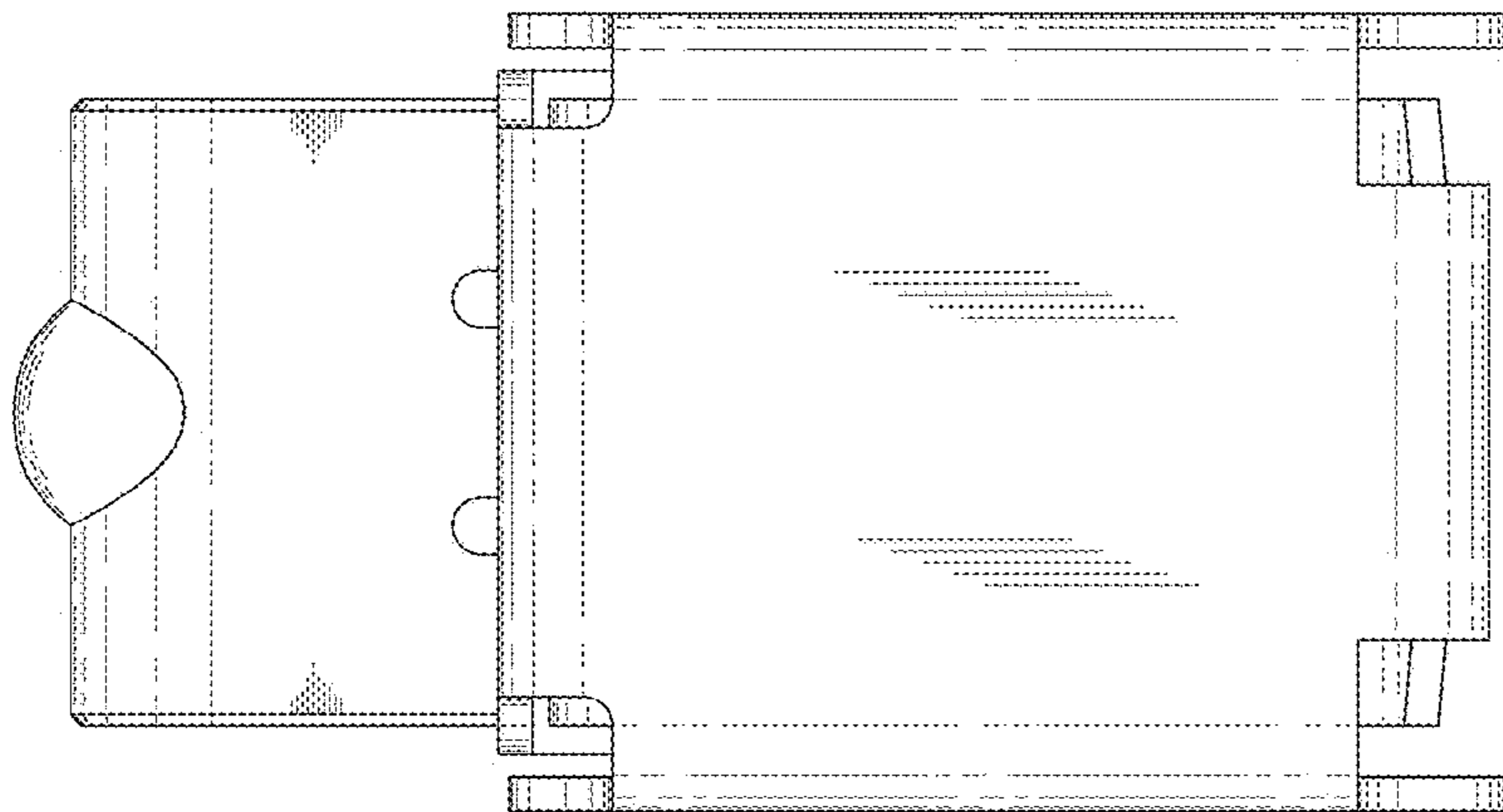


FIG.4

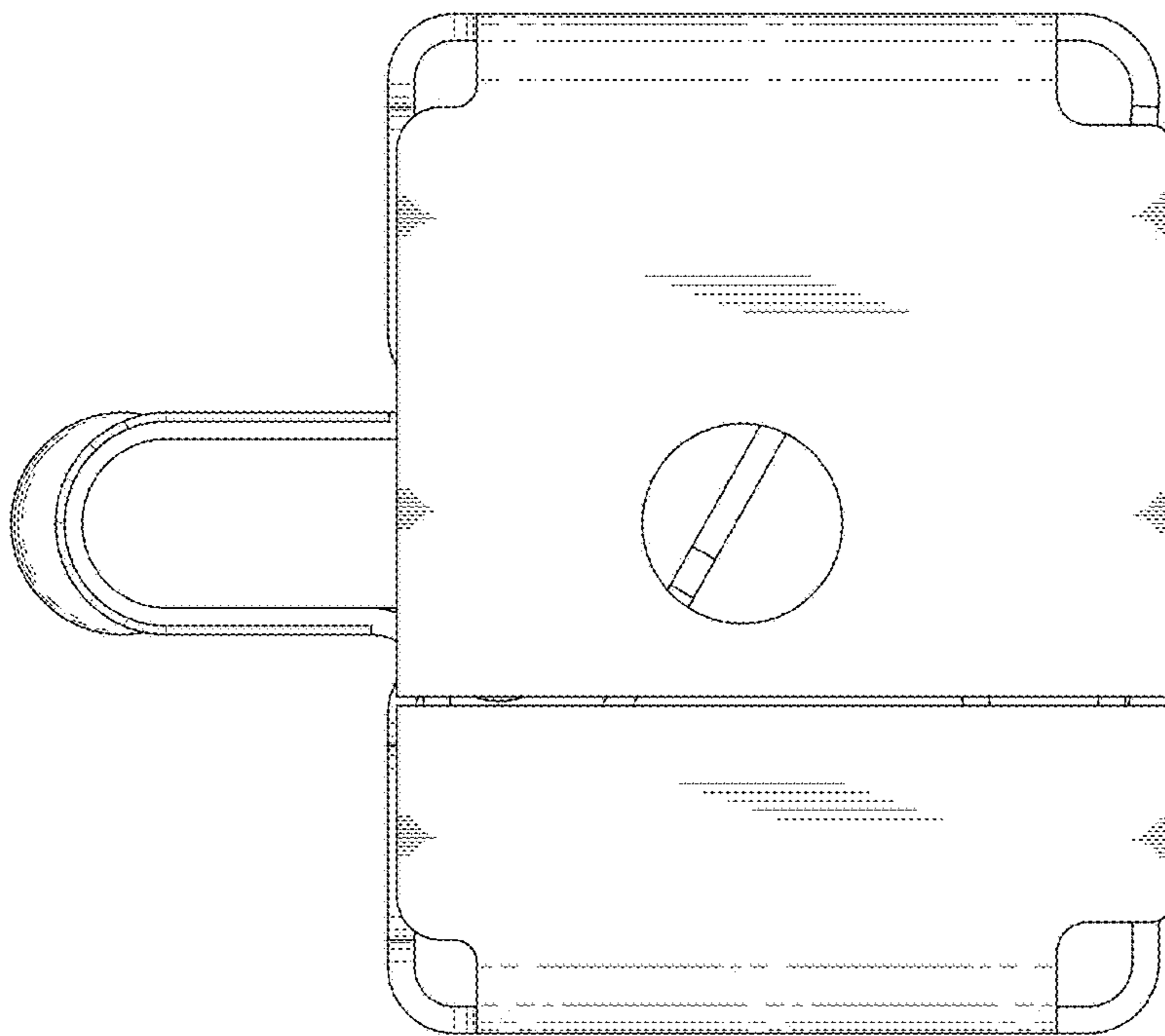


FIG.5

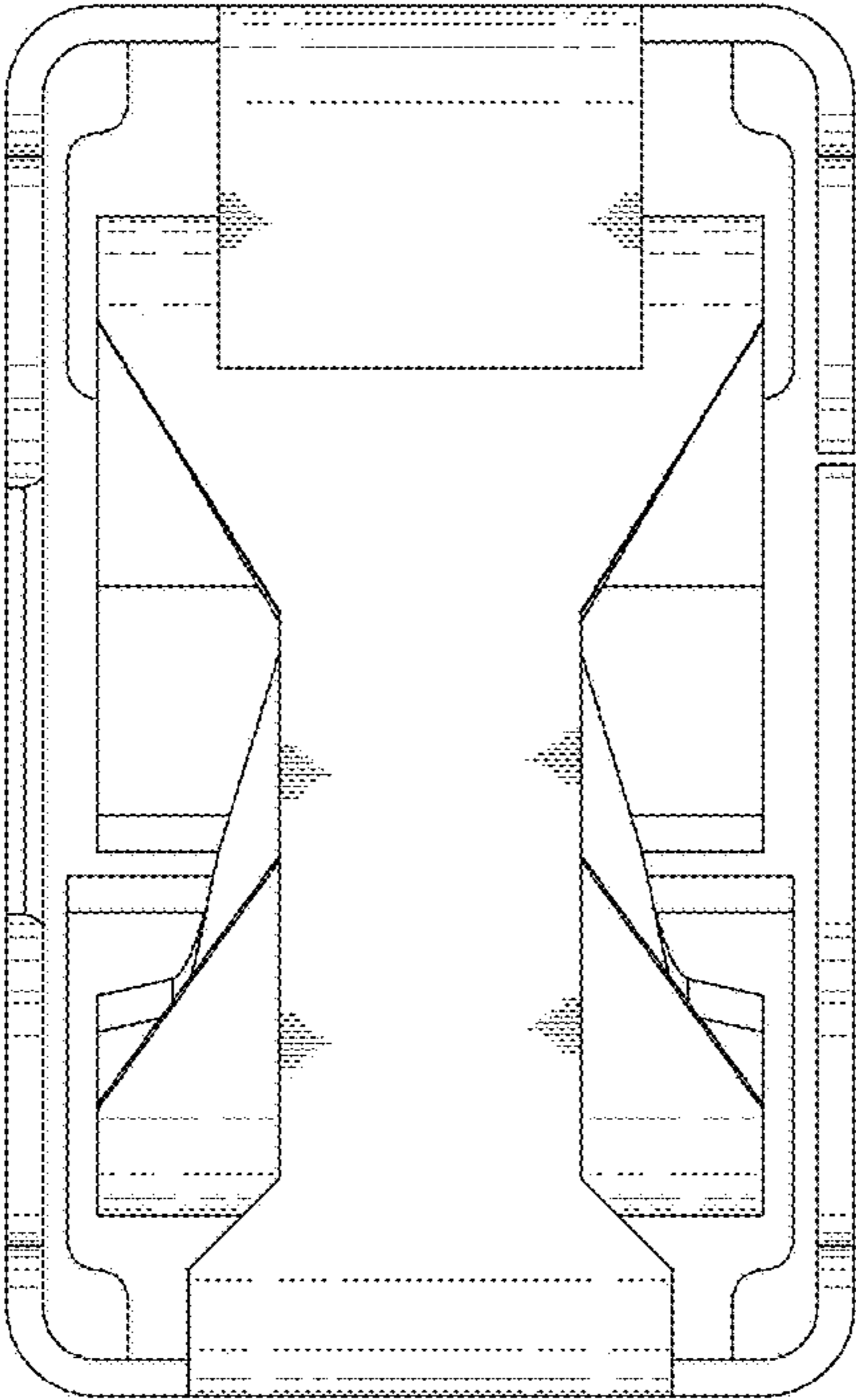


FIG.6

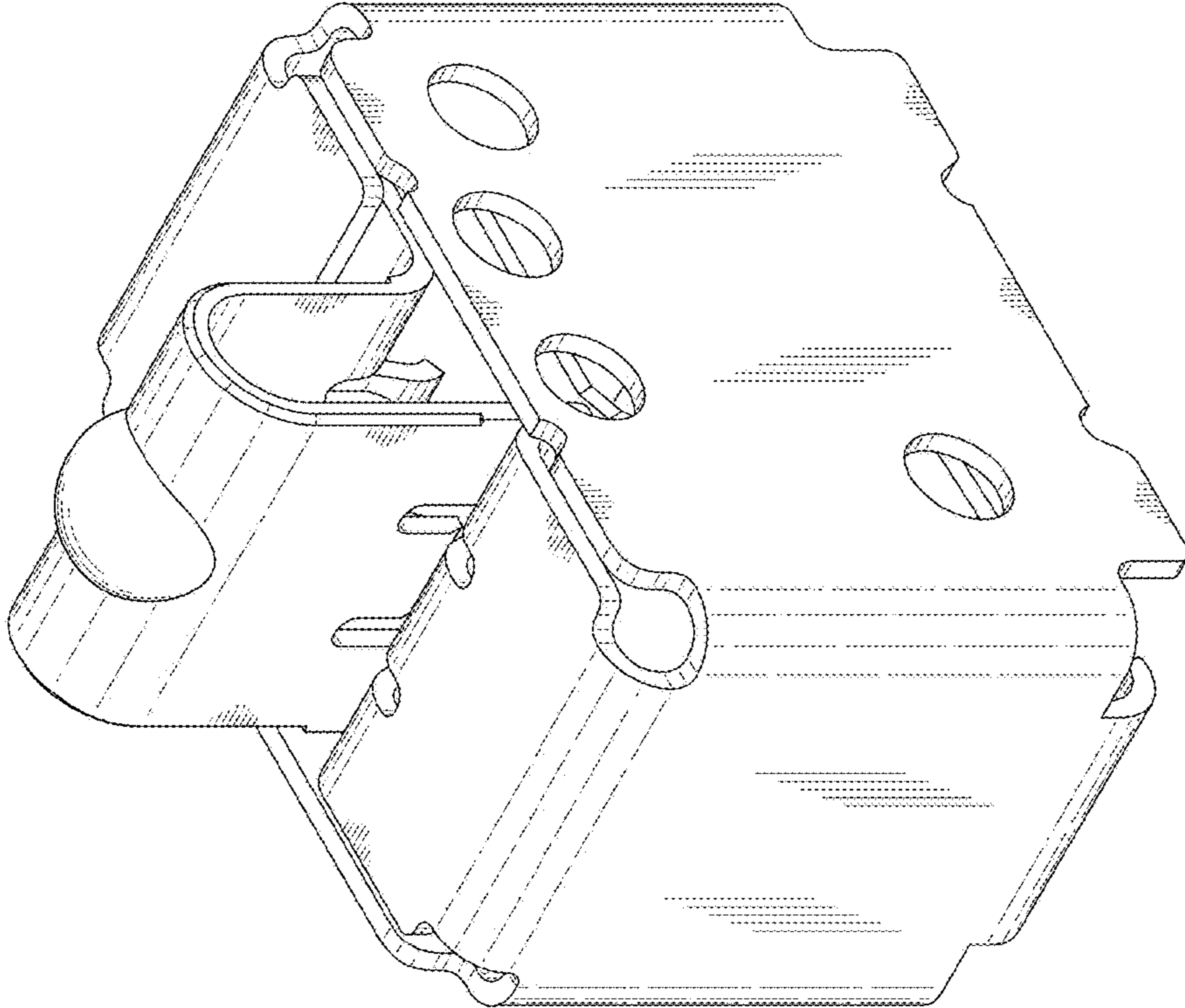


FIG.7

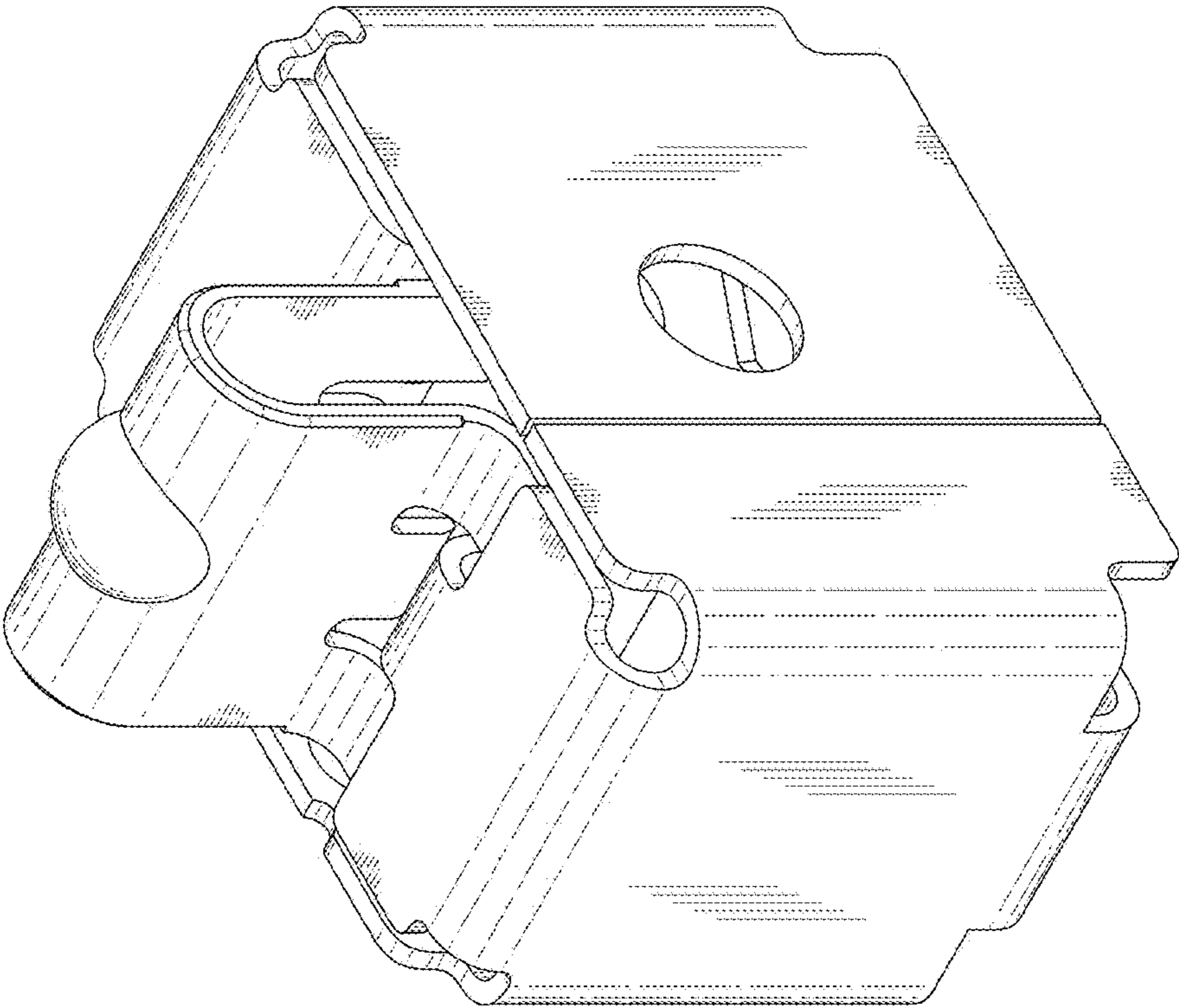


FIG.8

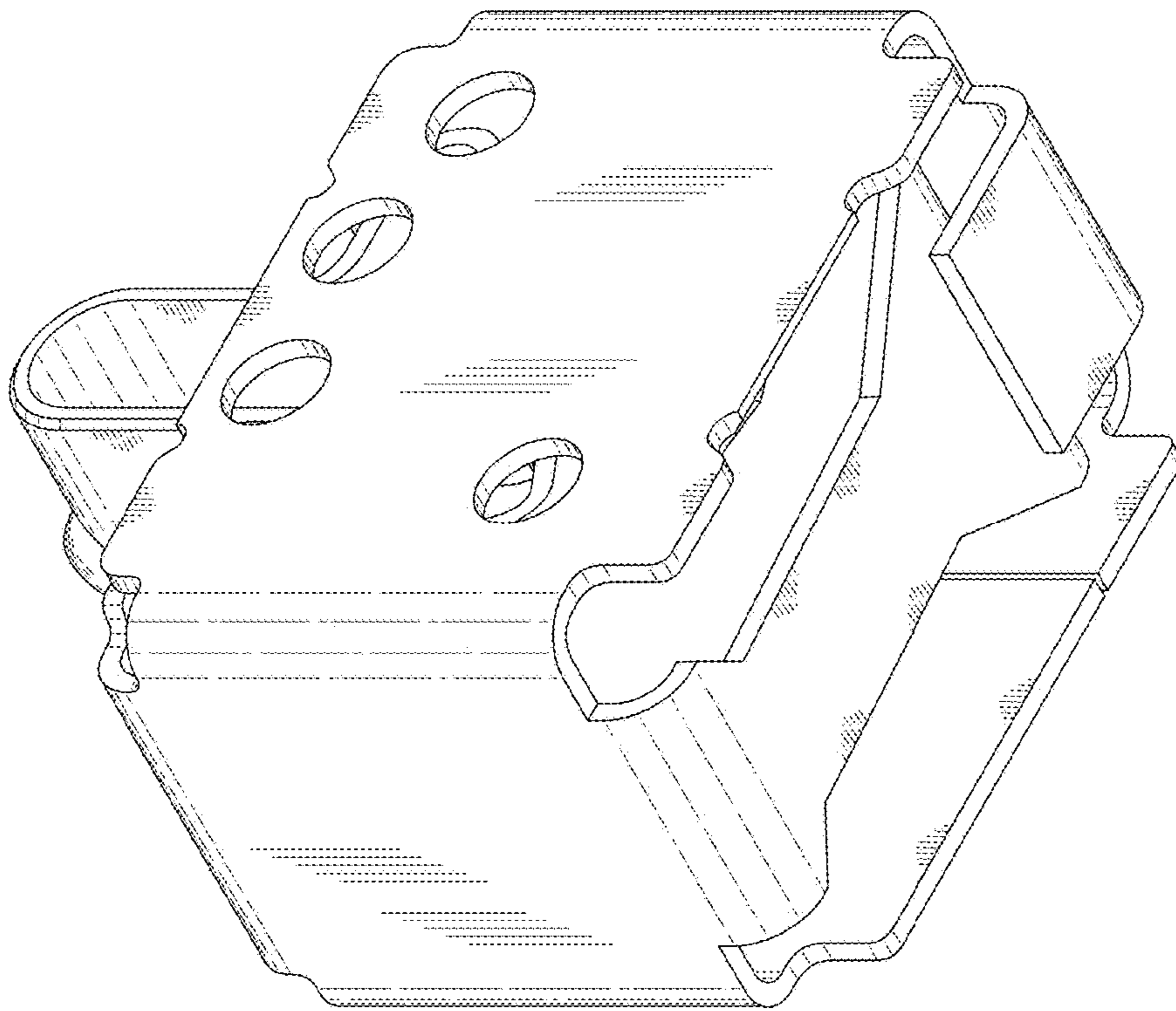


FIG.9

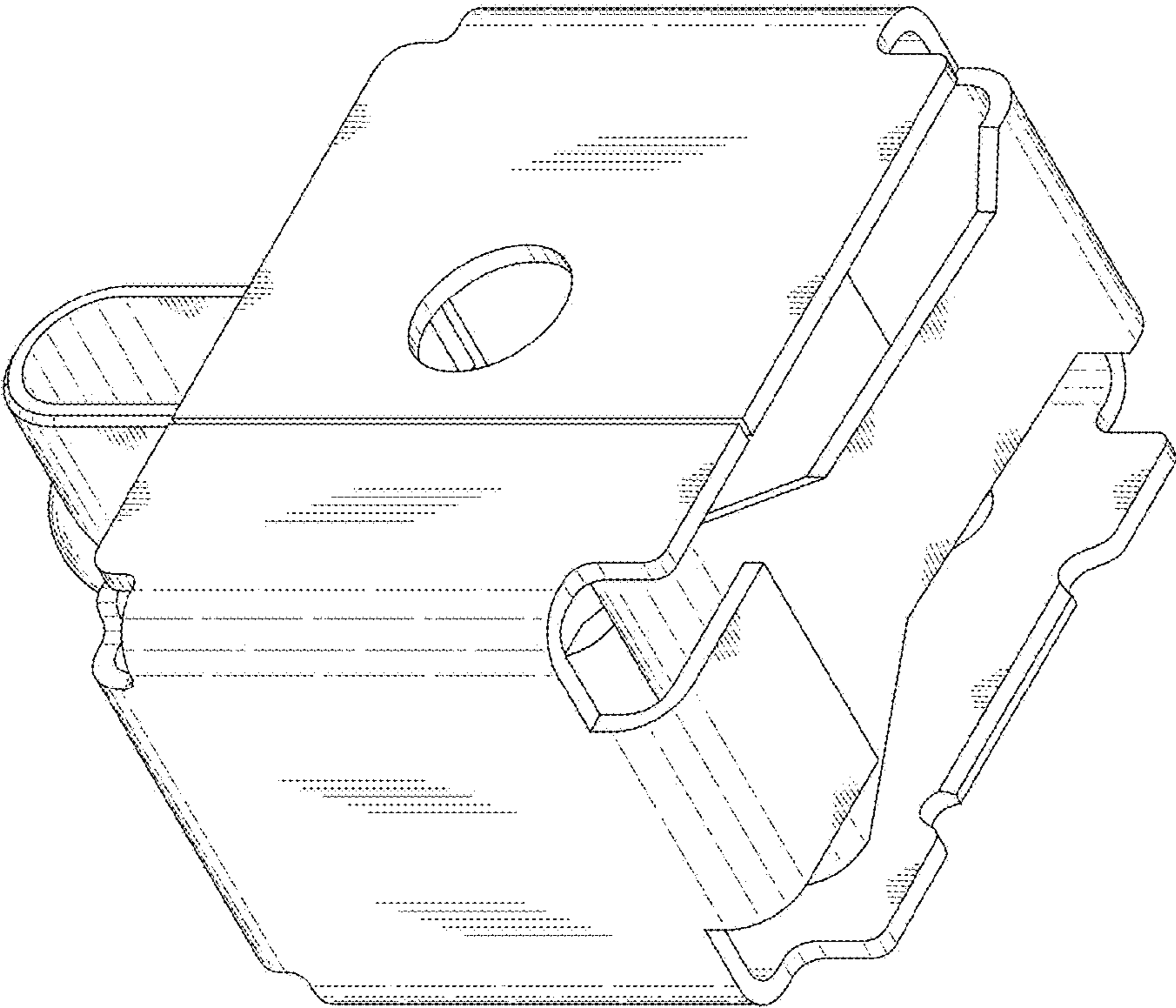


FIG.10

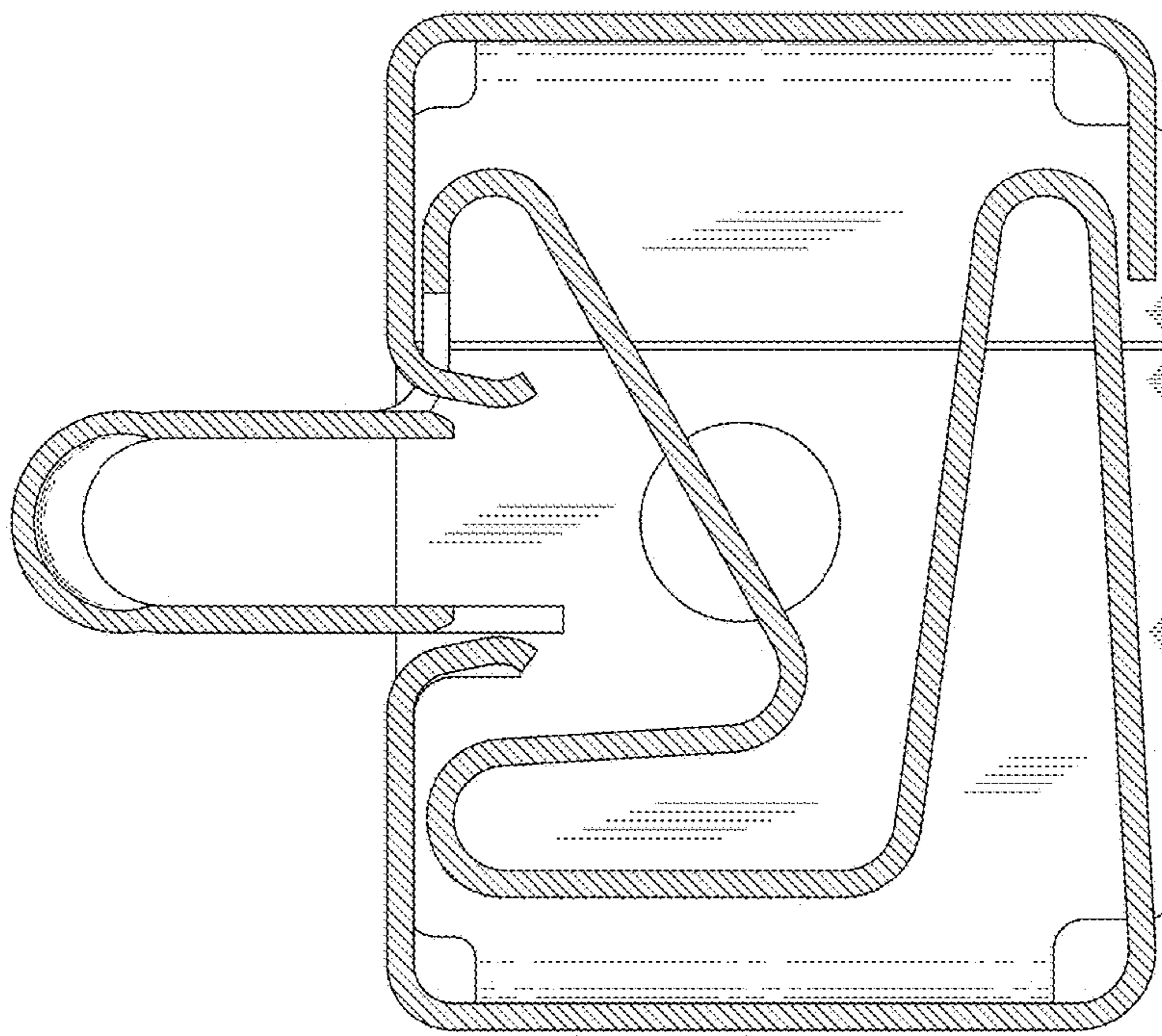


FIG.11