



US00D837155S

(12) **United States Design Patent** (10) **Patent No.:** **US D837,155 S**
Yamada et al. (45) **Date of Patent:** **** Jan. 1, 2019**

(54) **TOBACCO SUCTION TOOL BATTERY**

(71) Applicant: **Japan Tobacco Inc.**, Tokyo (JP)

(72) Inventors: **Manabu Yamada**, Tokyo (JP);
Masafumi Tarora, Tokyo (JP);
Hirofumi Matsumoto, Tokyo (JP)

(73) Assignee: **JAPAN TOBACCO INC.**, Tokyo (JP)

(**) Term: **15 Years**

(21) Appl. No.: **29/572,030**

(22) Filed: **Jul. 25, 2016**

(30) **Foreign Application Priority Data**

Jan. 25, 2016 (JP) 2016-001330

(51) **LOC (11) Cl.** **13-02**

(52) **U.S. Cl.**
USPC **D13/120**

(58) **Field of Classification Search**

USPC D13/102-106, 118-121, 184, 199;
D27/101, 167, 193, 194

CPC Y02E 60/12; Y02E 60/122; Y02E 60/124;
Y02E 60/50; Y02E 60/15; H01M 2/02;
H01M 2/022; H01M 2/0202; H01M
2/0207; H01M 2/0212; H01M 2/1061;
H01M 2/1022; H01M 2/1055; H01M
2/1066; H01M 2/105; H01M 2/204;
H01M 10/4257; H01M 10/0436; H01M
10/48

See application file for complete search history.

(56) **References Cited**

U.S. PATENT DOCUMENTS

D56,741 S * 12/1920 Cook D13/119
D103,790 S * 3/1937 Raney D13/119
D169,479 S * 5/1953 Gulick D13/119
D309,888 S * 8/1990 Cheng D13/110
D376,579 S * 12/1996 Bunyea D13/103

D401,901 S * 12/1998 Bunyea D13/119
D459,297 S * 6/2002 Searle D13/103
D476,619 S * 7/2003 Katsumoto D13/103
D476,620 S * 7/2003 Tada D13/103
D476,947 S * 7/2003 Kasahara D13/103
D477,276 S * 7/2003 Katsumoto D13/103
D633,034 S * 2/2011 Heine D13/103
D633,035 S * 2/2011 Heine D13/103

(Continued)

FOREIGN PATENT DOCUMENTS

CN 302715975 S 1/2014
JP D1385677 D 3/2010

(Continued)

Primary Examiner — Rosemary K Tarcza

(74) *Attorney, Agent, or Firm* — Ohlandt, Greeley,
Ruggiero & Perle, LLP

(57) **CLAIM**

The ornamental design for a tobacco suction tool battery, as shown and described.

DESCRIPTION

FIG. 1 is a perspective view from the left side of a tobacco suction tool battery.

FIG. 2 is a perspective view from the right side thereof.

FIG. 3 is a front elevation view thereof.

FIG. 4 is a rear elevation view thereof.

FIG. 5 is a top plan view thereof.

FIG. 6 is a bottom plan view thereof.

FIG. 7 is a left side elevation view thereof.

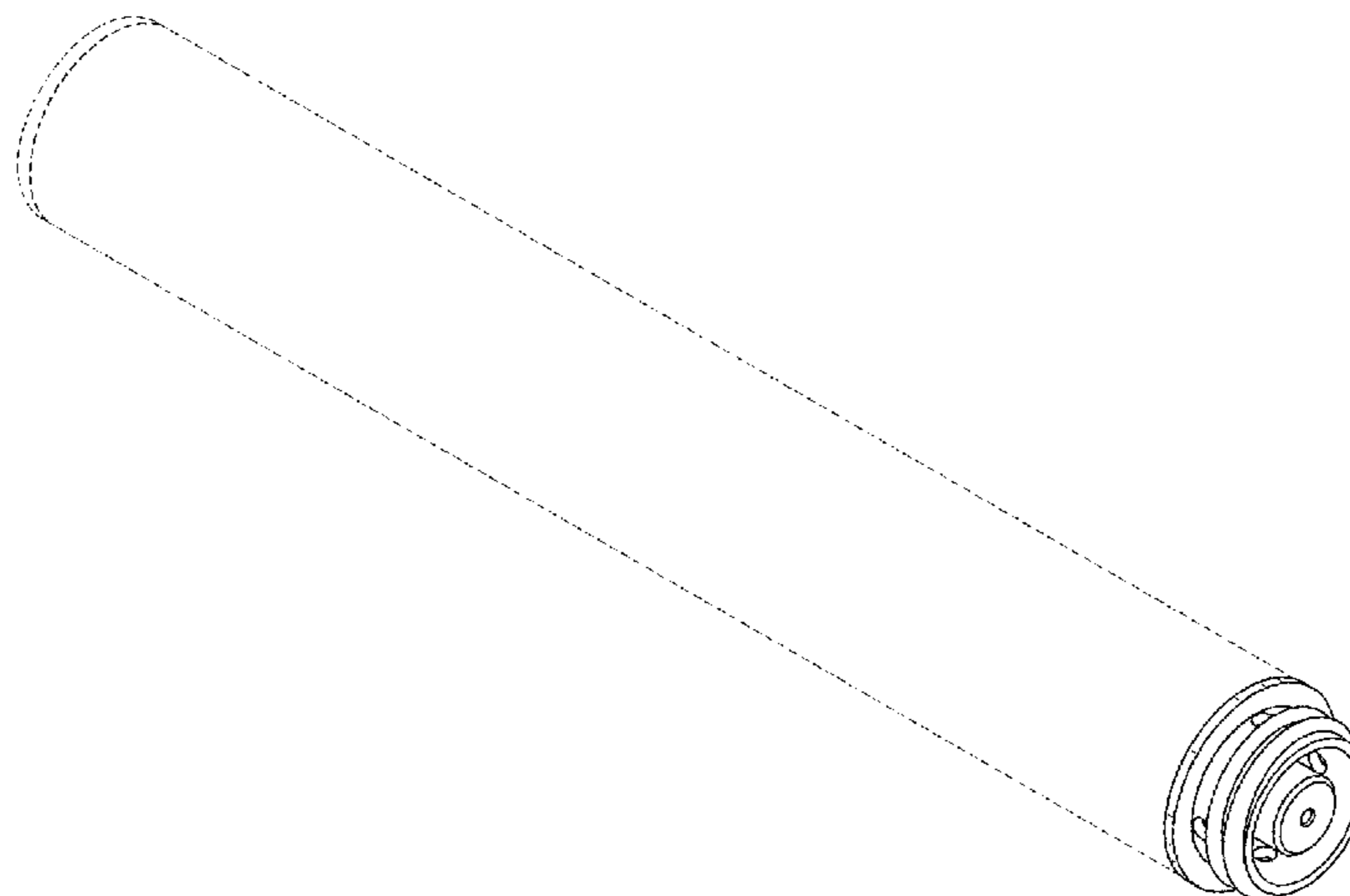
FIG. 8 is a right side elevation view thereof.

FIG. 9 is an enlarged perspective view thereof; and,

FIG. 10 is an enlarged cross-sectional view taken along the line 10-10 in FIG. 7, which omits the internal structure thereof.

The broken lines shown in the drawings illustrate portions of the tobacco suction tool battery that form no part of claimed design.

1 Claim, 10 Drawing Sheets



(56)

References Cited

U.S. PATENT DOCUMENTS

D655,036	S	*	2/2012	Zhou	D27/101
D664,498	S	*	7/2012	Liu	D13/103
D720,291	S	*	12/2014	Liu	D13/119
D722,956	S	*	2/2015	Alima	D13/103
D724,265	S	*	3/2015	Alima	D27/167
D726,364	S	*	4/2015	Weigensberg	D27/101
D729,162	S	*	5/2015	Liu	D13/119
D730,286	S	*	5/2015	Liu	D13/119
D733,650	S	*	7/2015	Liu	D13/108
D740,488	S	*	10/2015	Leidel	D27/167
D747,545	S	*	1/2016	Liu	D27/101
D747,546	S	*	1/2016	Liu	D27/101
D747,547	S	*	1/2016	Liu	D27/101
D749,505	S	*	2/2016	Verleur	D13/108
D777,372	S	*	1/2017	Liu	D27/167
D806,942	S	*	1/2018	Qiu	D27/101
D813,155	S	*	3/2018	Yamada	D13/103

FOREIGN PATENT DOCUMENTS

JP	D1385679	D	3/2010
JP	D1385677	D	4/2010
JP	D1385679	D	4/2010
KR	30-2013-0040813		12/2013
KR	30-0721091		12/2013
KR	30-2013-0064261		9/2014
KR	30-0763926		9/2014

* cited by examiner

FIG. 1

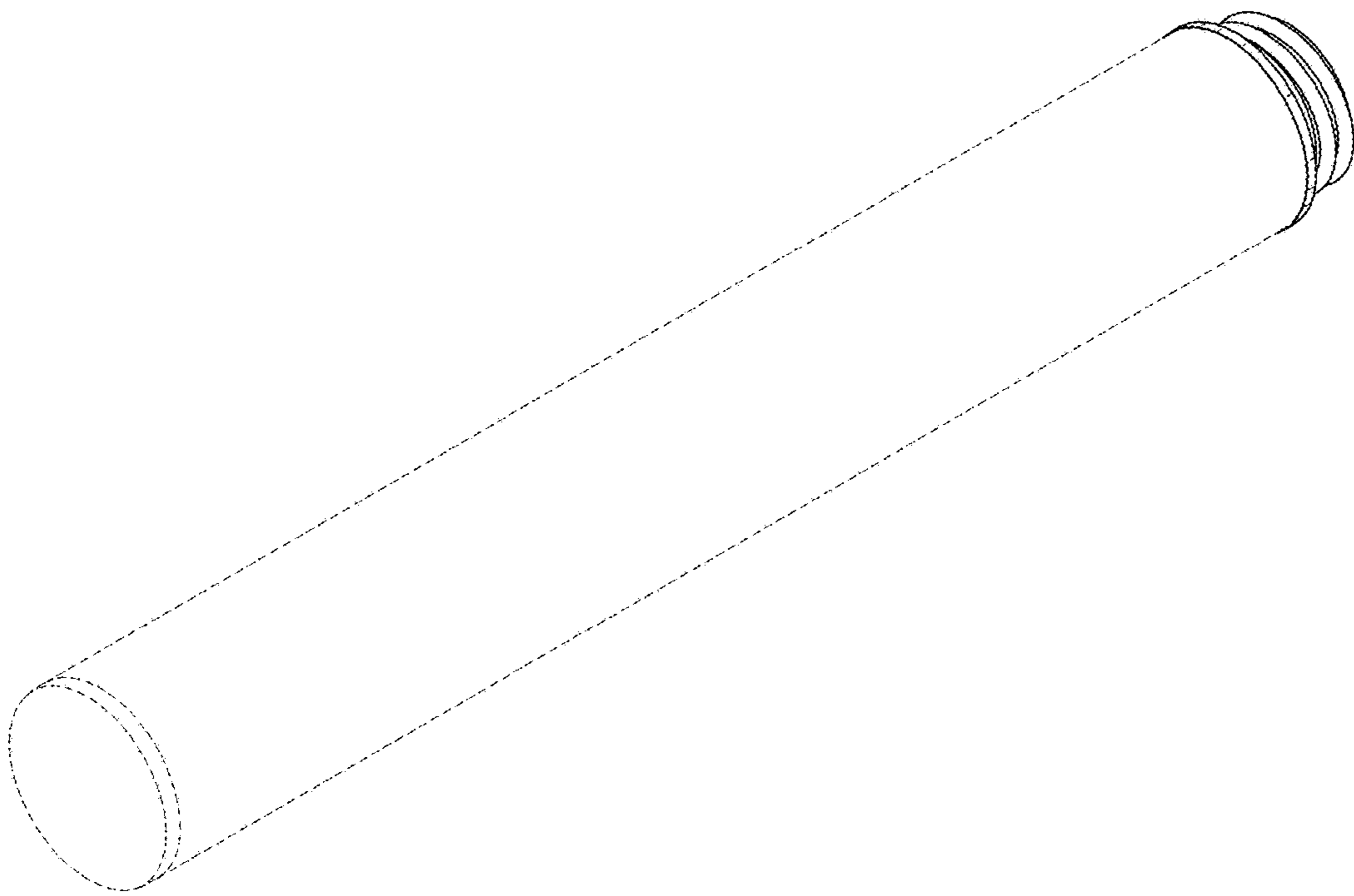


FIG. 2

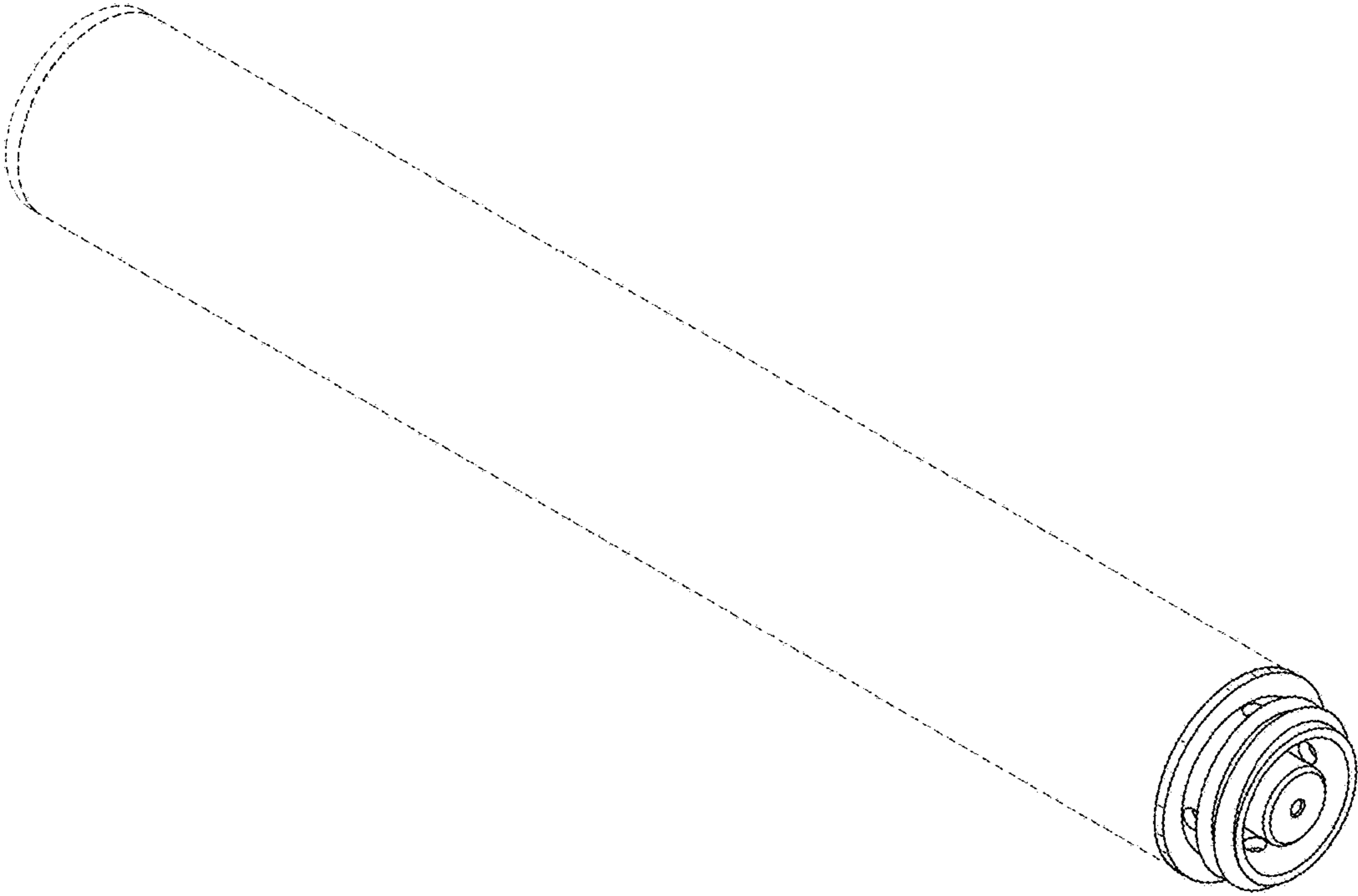


FIG. 3



FIG. 4



FIG. 5

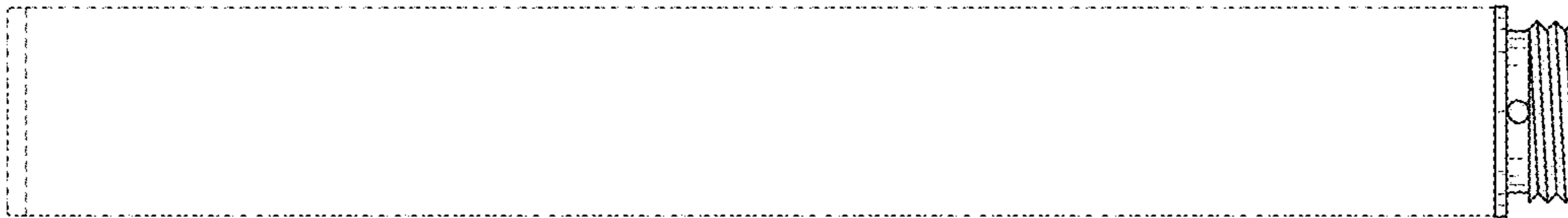


FIG. 6

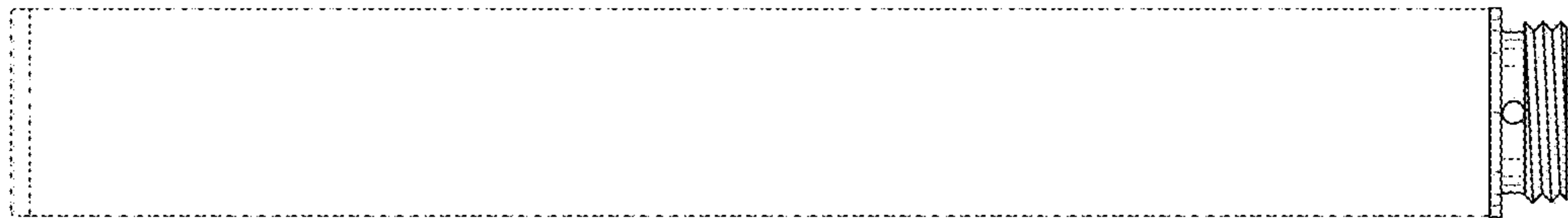


FIG. 7

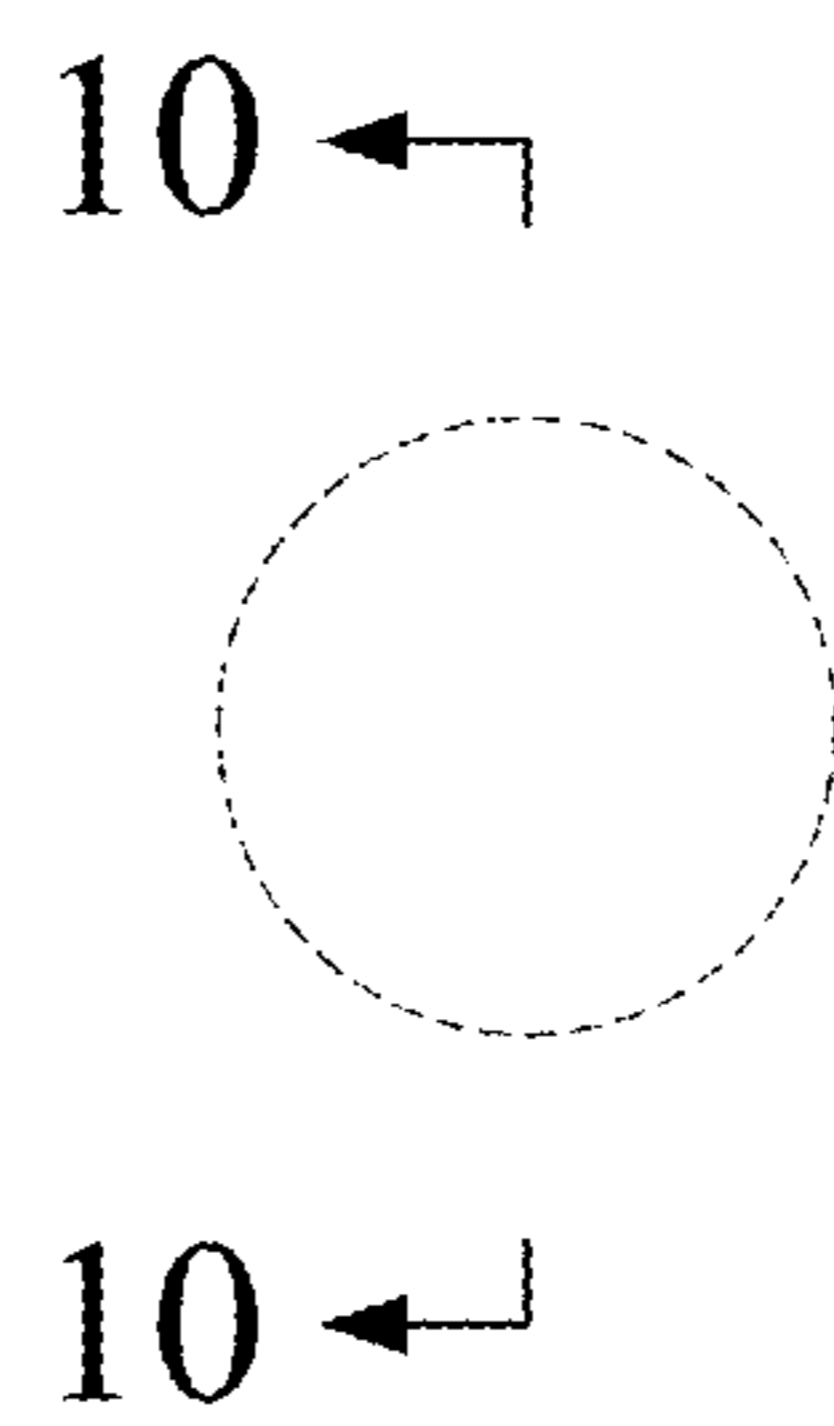


FIG. 8

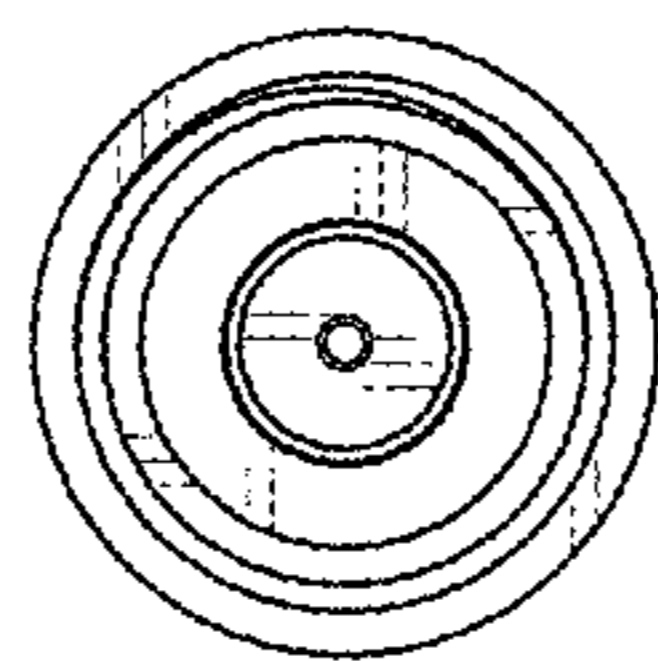


FIG. 9

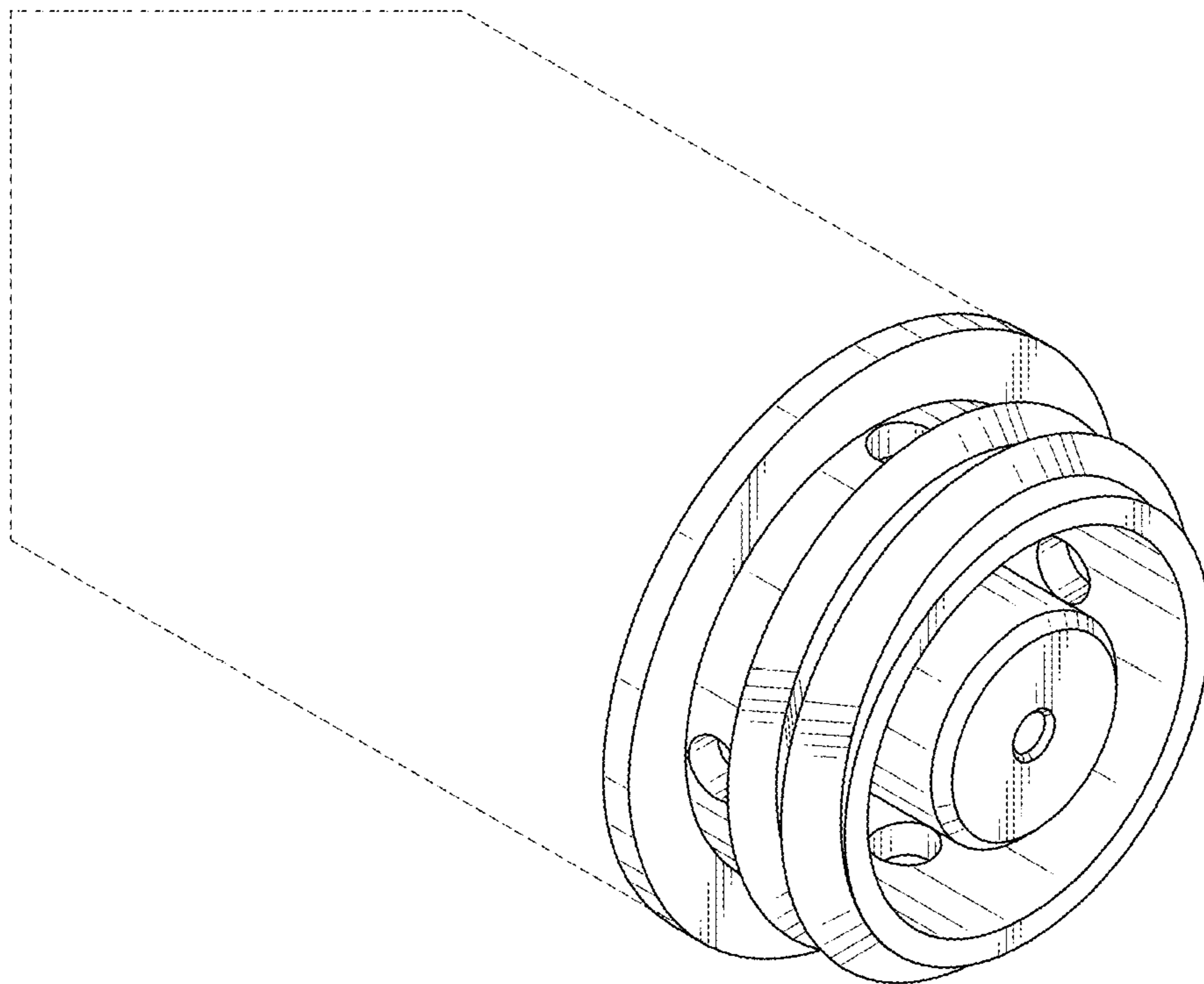


FIG. 10

