



US00D837150S

(12) **United States Design Patent**
Näslund et al.

(10) **Patent No.:** **US D837,150 S**

(45) **Date of Patent:** **** Jan. 1, 2019**

(54) **CHARGING STATION**

(71) Applicant: **HUSQVARNA AB**, Huskvarna (SE)

(72) Inventors: **Jens Näslund**, Spånga (SE); **Taras Czornyj**, Järna (SE)

(73) Assignee: **HUSQVARNA AB**, Huskvarna (SE)

(**) Term: **15 Years**

(21) Appl. No.: **29/619,463**

(22) Filed: **Sep. 29, 2017**

(30) **Foreign Application Priority Data**

Mar. 29, 2017 (EM) 003829431-0002

(51) **LOC (11) Cl.** **13-02**

(52) **U.S. Cl.**
USPC **D13/108**

(58) **Field of Classification Search**
USPC D13/107-110, 118-119, 184; D14/251,
D14/253, 432, 434; D32/31, 25
CPC Y02E 60/12; Y02T 90/14; Y02T 90/122;
Y02T 90/128; Y02T 90/163; H02J 7/025;
H02J 7/0042; H02J 7/0044; H02J 7/0045;
H02J 7/0003; H01F 38/14; H01R
13/6675; H01M 2/1022; H01M 2/1055;
H01M 10/44; H01M 10/46; H01M
10/425; B60L 11/182; A01D 34/008;
A01D 34/00; G05D 2201/0208

See application file for complete search history.

(56) **References Cited**

U.S. PATENT DOCUMENTS

D639,735 S * 6/2011 Lee D13/108
D675,154 S * 1/2013 Nam D13/108

D704,628 S * 5/2014 Tajik D13/108
D712,827 S * 9/2014 Maeda D13/108
D749,508 S * 2/2016 Ireland D13/108
D760,649 S * 7/2016 Cmich D13/108
D776,054 S * 1/2017 Cmich D13/108
D782,411 S * 3/2017 Mischke D13/108
D788,031 S * 5/2017 Holzer D13/107
2014/0327389 A1 * 11/2014 Elonsson H01R 13/24
320/107
2015/0328775 A1 * 11/2015 Shamlan B25J 9/1676
700/258
2015/0359168 A1 * 12/2015 Higashikawa A01D 34/001
56/14.7
2017/0094897 A1 * 4/2017 Balutis A01D 34/008

* cited by examiner

Primary Examiner — Rosemary K Tarca

Assistant Examiner — Nathaniel D. Buckner

(74) *Attorney, Agent, or Firm* — McNair Law Firm, P.A.

(57) **CLAIM**

The ornamental design for a charging station, as shown and described.

DESCRIPTION

FIG. 1 is a perspective view of a charging station showing our new design;

FIG. 2 is a top view of a charging station of FIG. 1;

FIG. 3 is a bottom view of a charging station of FIG. 1;

FIG. 4 is a left side view of a charging station of FIG. 1;

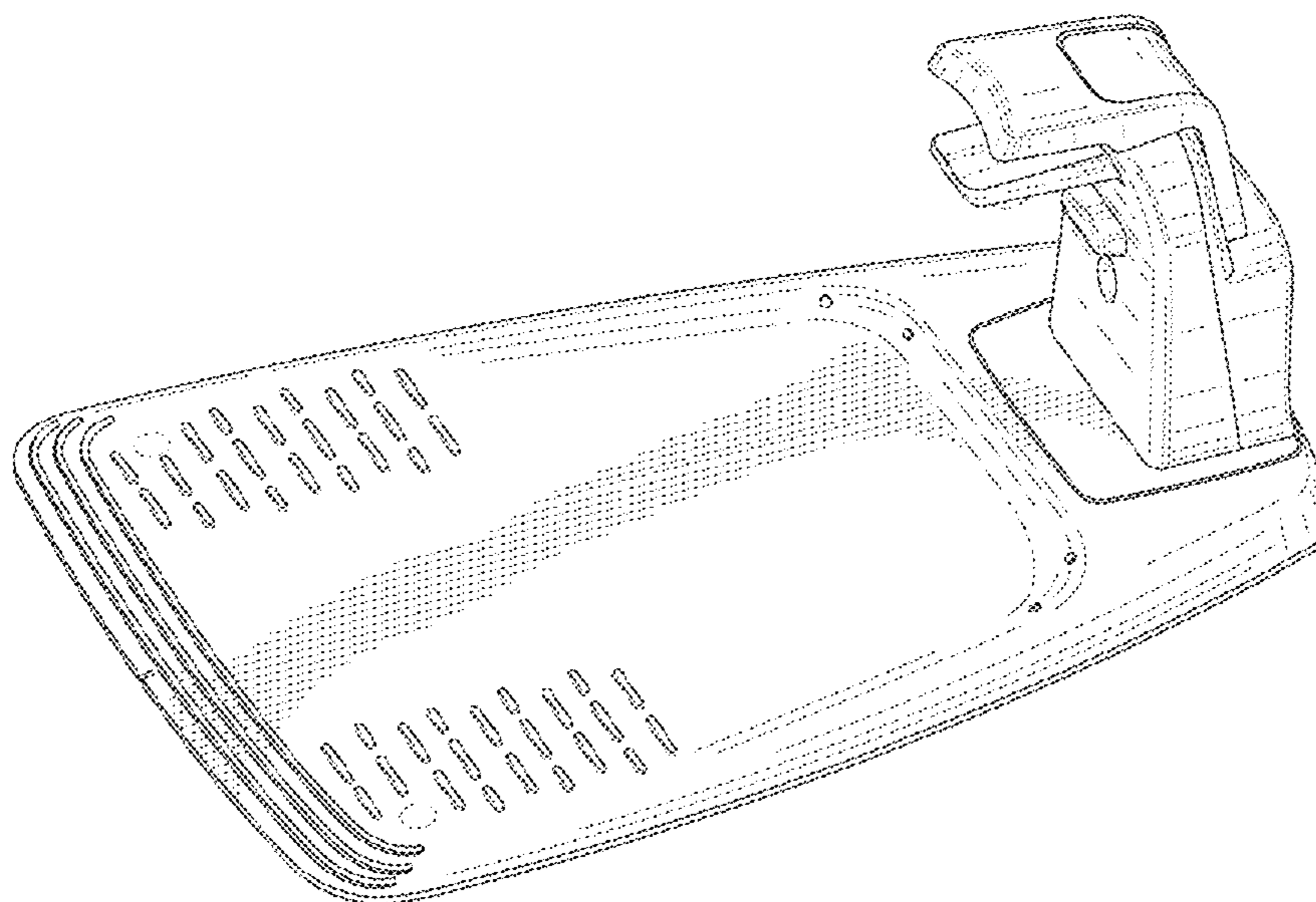
FIG. 5 is a right side view of a charging station of FIG. 1;

FIG. 6 is a front view of a charging station of FIG. 1; and,

FIG. 7 is a rear view of a charging station of FIG. 1.

The broken lines in the figures represent portions of the article which form no part of the claimed design.

1 Claim, 6 Drawing Sheets



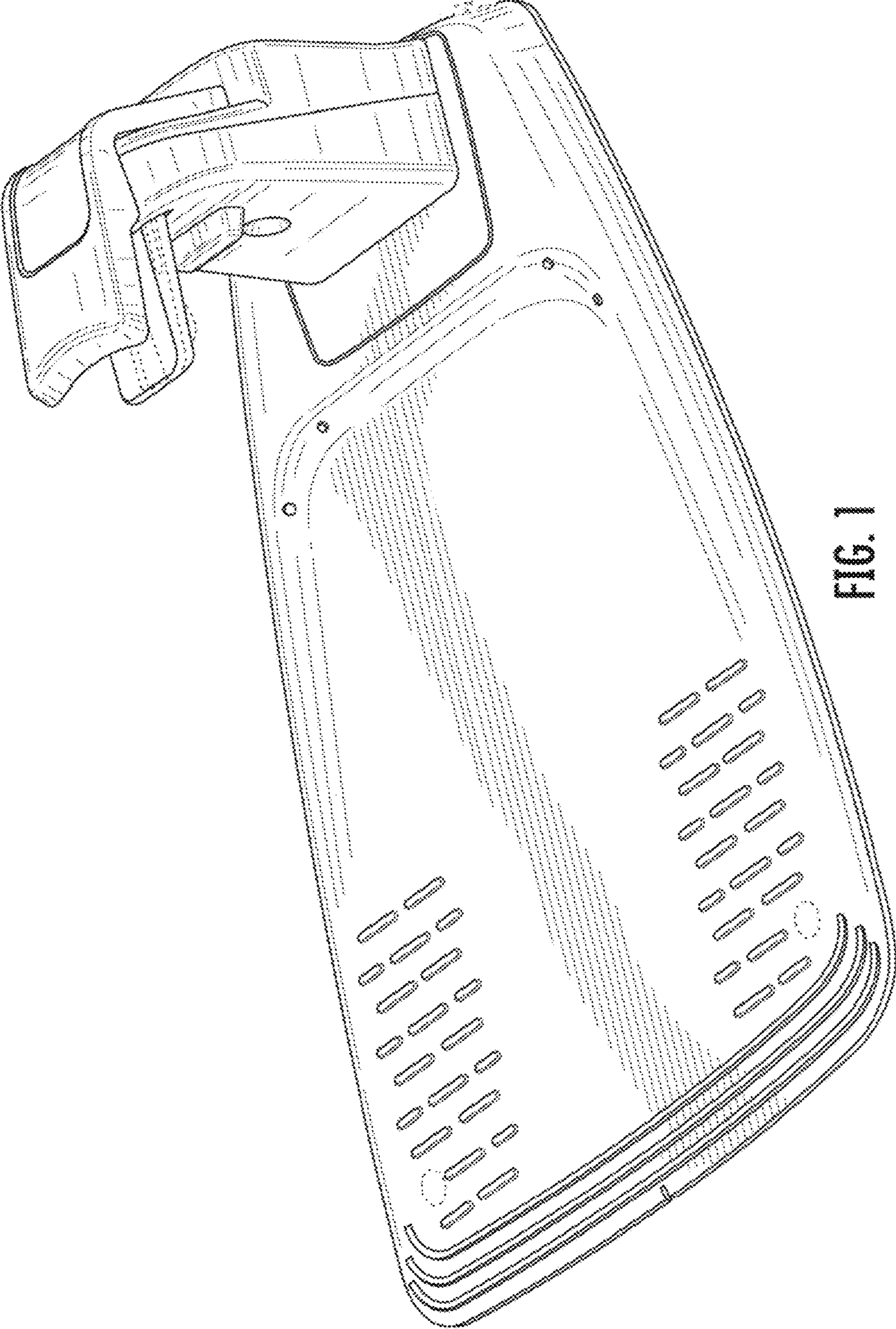


FIG. 1

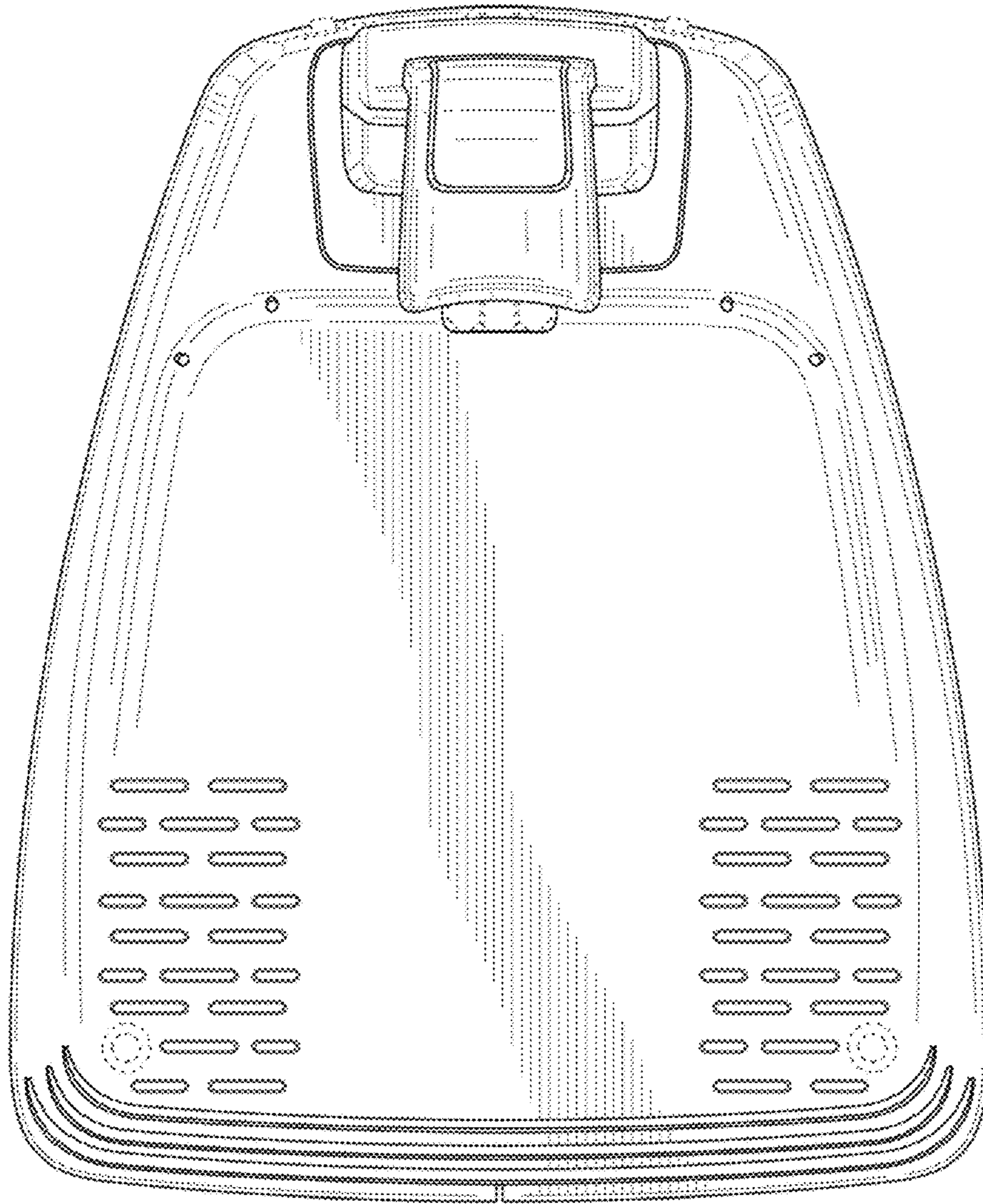


FIG. 2

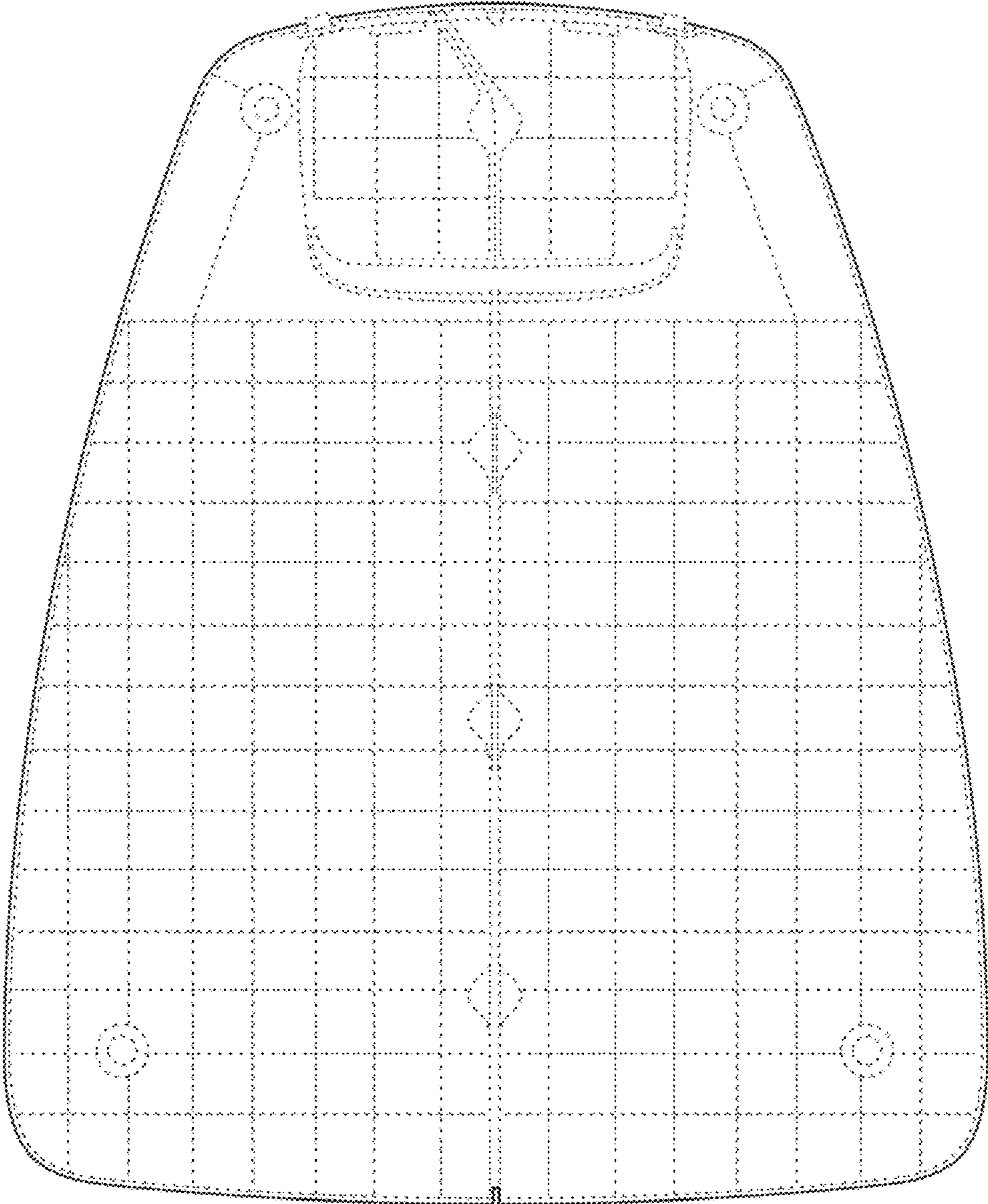


FIG. 3

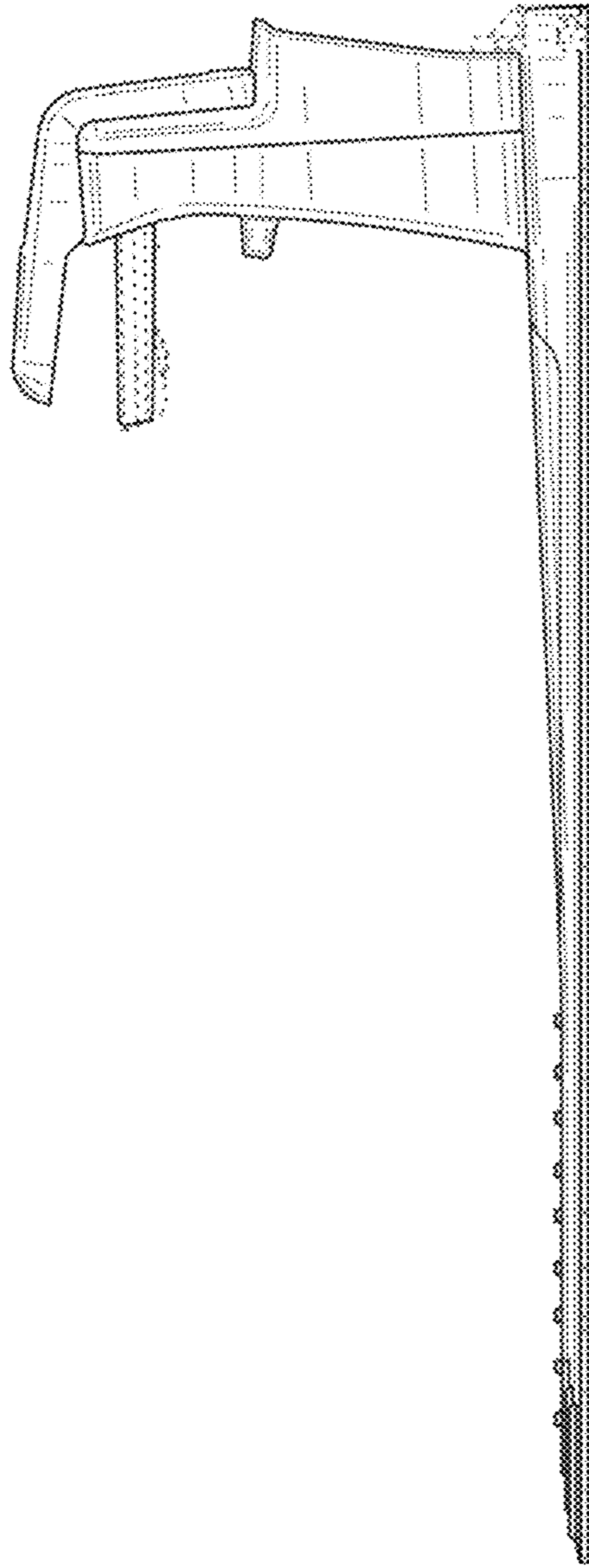


FIG. 4

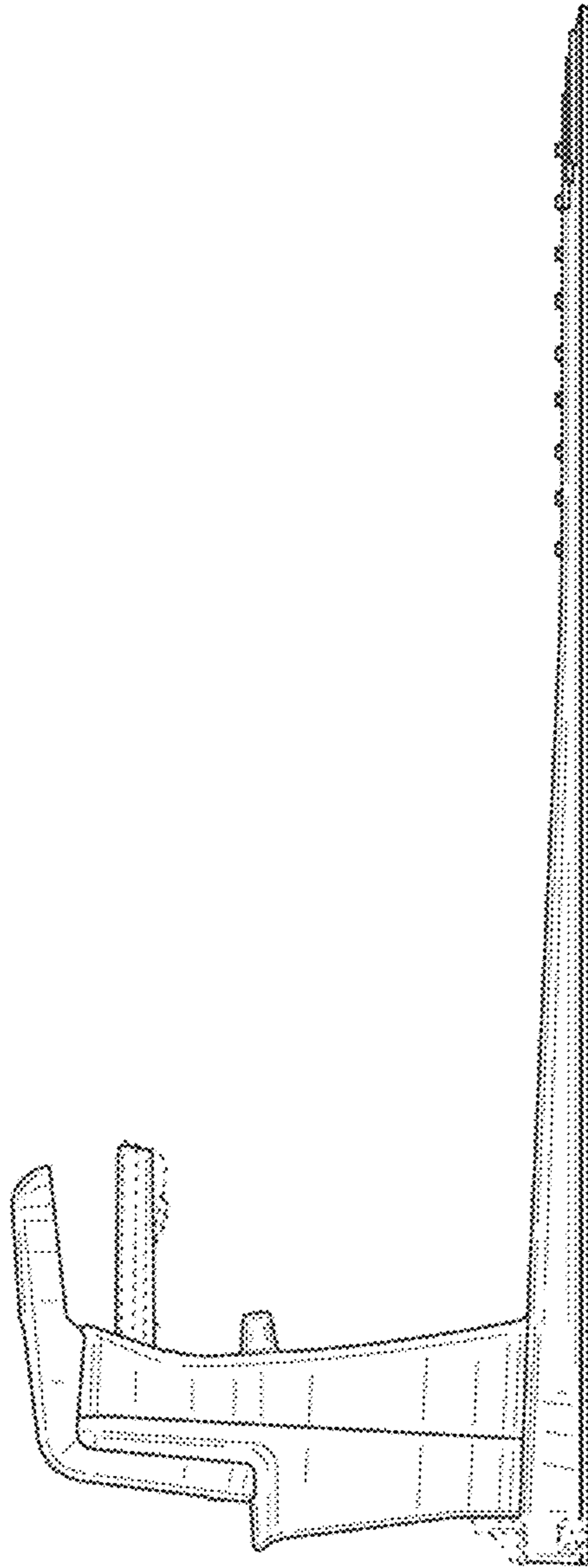


FIG. 5

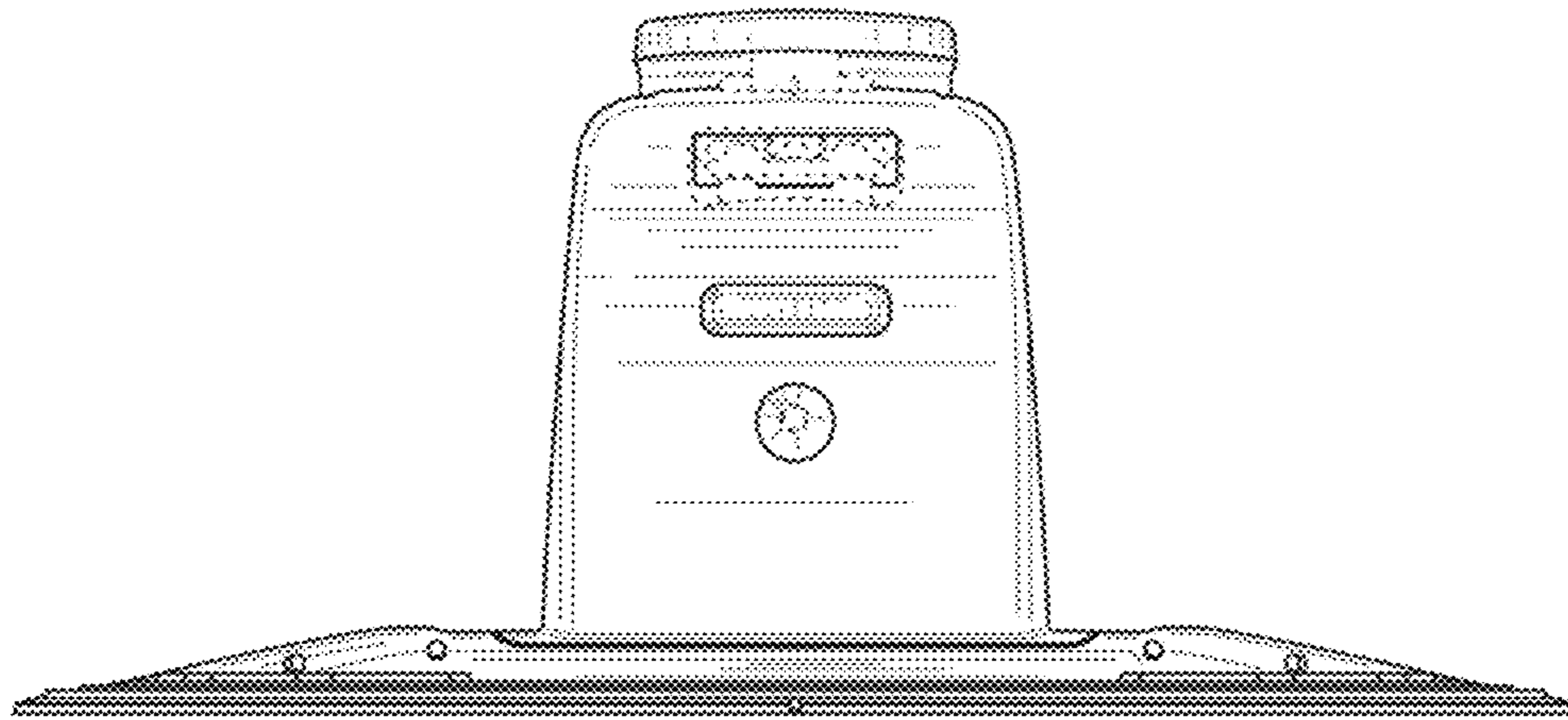


FIG. 6

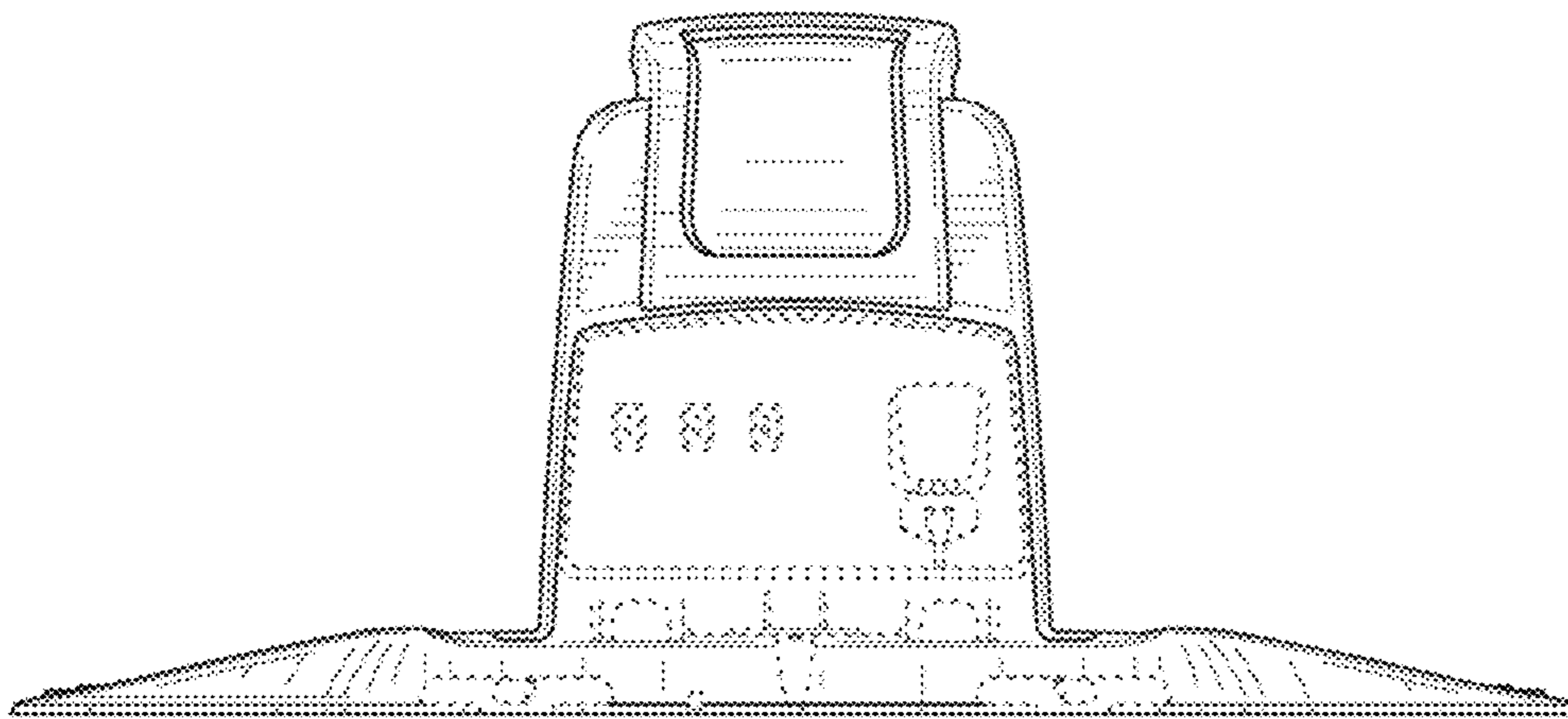


FIG. 7