

US00D837148S

(12) **United States Design Patent**
Brown

(10) **Patent No.:** **US D837,148 S**

(45) **Date of Patent:** **** Jan. 1, 2019**

(54) **POWER SUPPLY**

(71) Applicant: **Critical Tattoo Supply, LLC**, Reno, NV (US)

(72) Inventor: **Kenneth M. Brown**, Reno, NV (US)

(73) Assignee: **CRITICAL TATTOO SUPPLY, LLC**, Reno, NV (US)

(**) Term: **15 Years**

(21) Appl. No.: **29/602,538**

(22) Filed: **May 1, 2017**

(51) **LOC (11) Cl.** **13-02**

(52) **U.S. Cl.**

USPC **D13/108**; D13/103

(58) **Field of Classification Search**

USPC D13/102-110, 118, 119, 184, 199;
D14/356, 432

CPC Y02E 60/10; Y02E 60/12; Y02E 60/122;

Y02E 60/124; Y02E 60/50; H01M

2/1061; H01M 2/1022; H01M 2/1055;

H01M 2/1066; H01M 2/105; H01M 2/20;

H01M 2/202; H01M 2/204; H01M 2/206;

H01M 2/02; H01M 2/022; H01M 2/0202;

H01M 2/0207; H01M 2/0212; H01M

10/44; H01M 10/46; H01M 10/465;

H01M 10/482; H01M 10/4257; H01M

10/0436; H01M 10/48; H01M 2250/30;

H01M 2250/40; H02J 7/00; H02J 7/0003;

H02J 7/0011; H02J 7/0013; H02J 7/0054;

H02J 7/0055; H02J 7/0057; H02J

2007/0062; A61M 37/00

See application file for complete search history.

(56) **References Cited**

U.S. PATENT DOCUMENTS

D601,564 S * 10/2009 Maeno D14/400

D647,227 S * 10/2011 Kaule D26/24

D720,289 S * 12/2014 Chiang D13/108
D730,826 S * 6/2015 Moanack D13/110
D789,373 S * 6/2017 King D14/413
D800,060 S * 10/2017 Solland D13/108
D811,462 S * 2/2018 Axelsson D16/203
D812,559 S * 3/2018 Xu D13/107
2005/0022485 A1* 2/2005 Park A47L 7/04
55/385.1
2013/0292481 A1* 11/2013 Filson G05D 23/1902
236/1 C

OTHER PUBLICATIONS

YouTube.com: The Atom X by Critical Tattoo. Published Jun. 12, 2017. Retrieved from the internet at <https://www.youtube.com/watch?v=ioMRBSc2vDQ>, May 3, 2018. 1 page. (Year: 2017).*

* cited by examiner

Primary Examiner — Rosemary K Tarcza

Assistant Examiner — Christy M Nemeth

(74) *Attorney, Agent, or Firm* — Hankin Patent Law,

APC; Kevin Schraven; Anooj Patel

(57)

CLAIM

The ornamental design for the power supply, as shown and described.

DESCRIPTION

FIG. 1 is a top perspective view of a power supply showing my new design.

FIG. 2 is a bottom perspective view thereof.

FIG. 3 is a left side elevational view thereof.

FIG. 4 is a right side elevational view thereof.

FIG. 5 is a front side elevational view thereof.

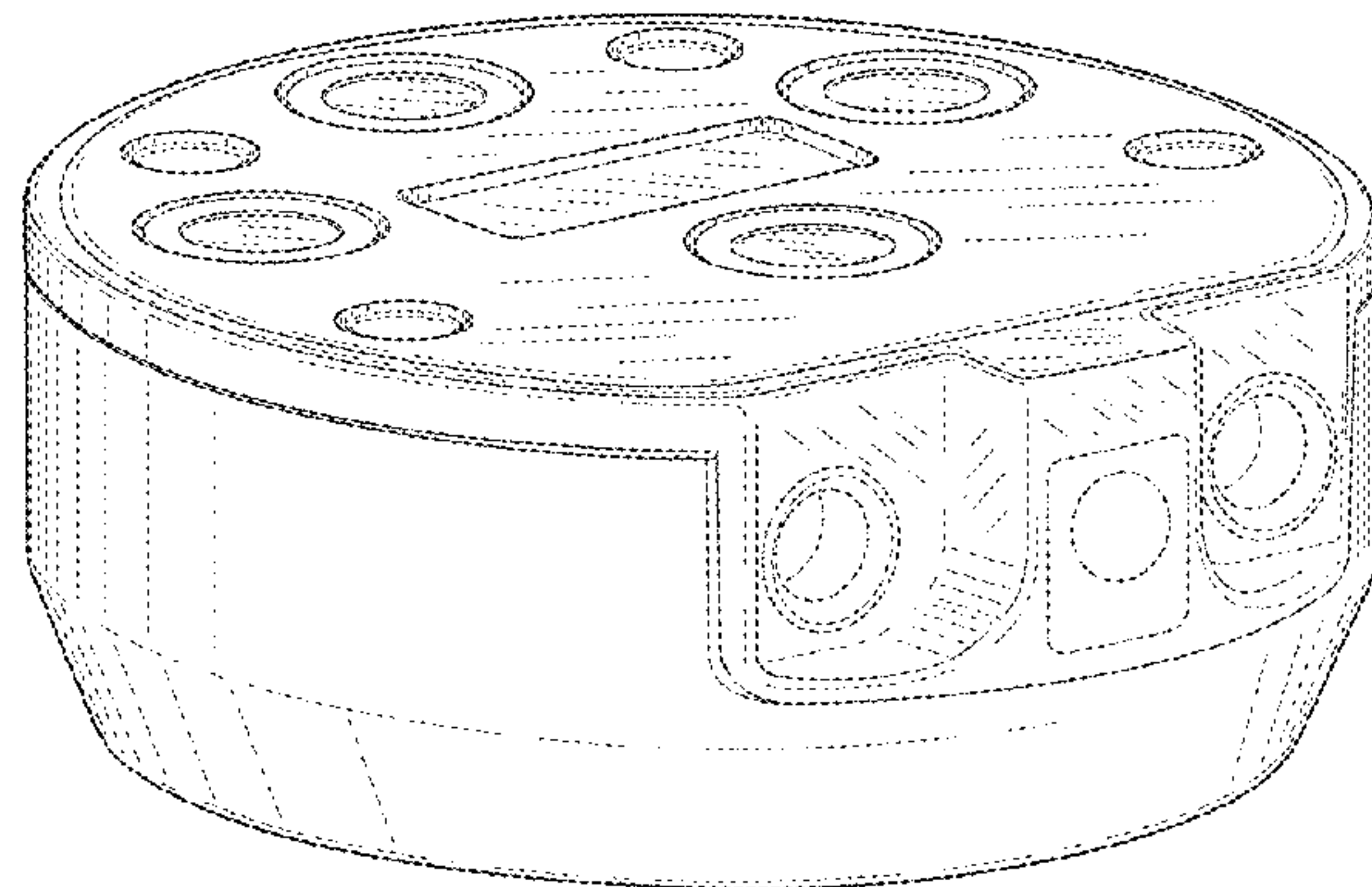
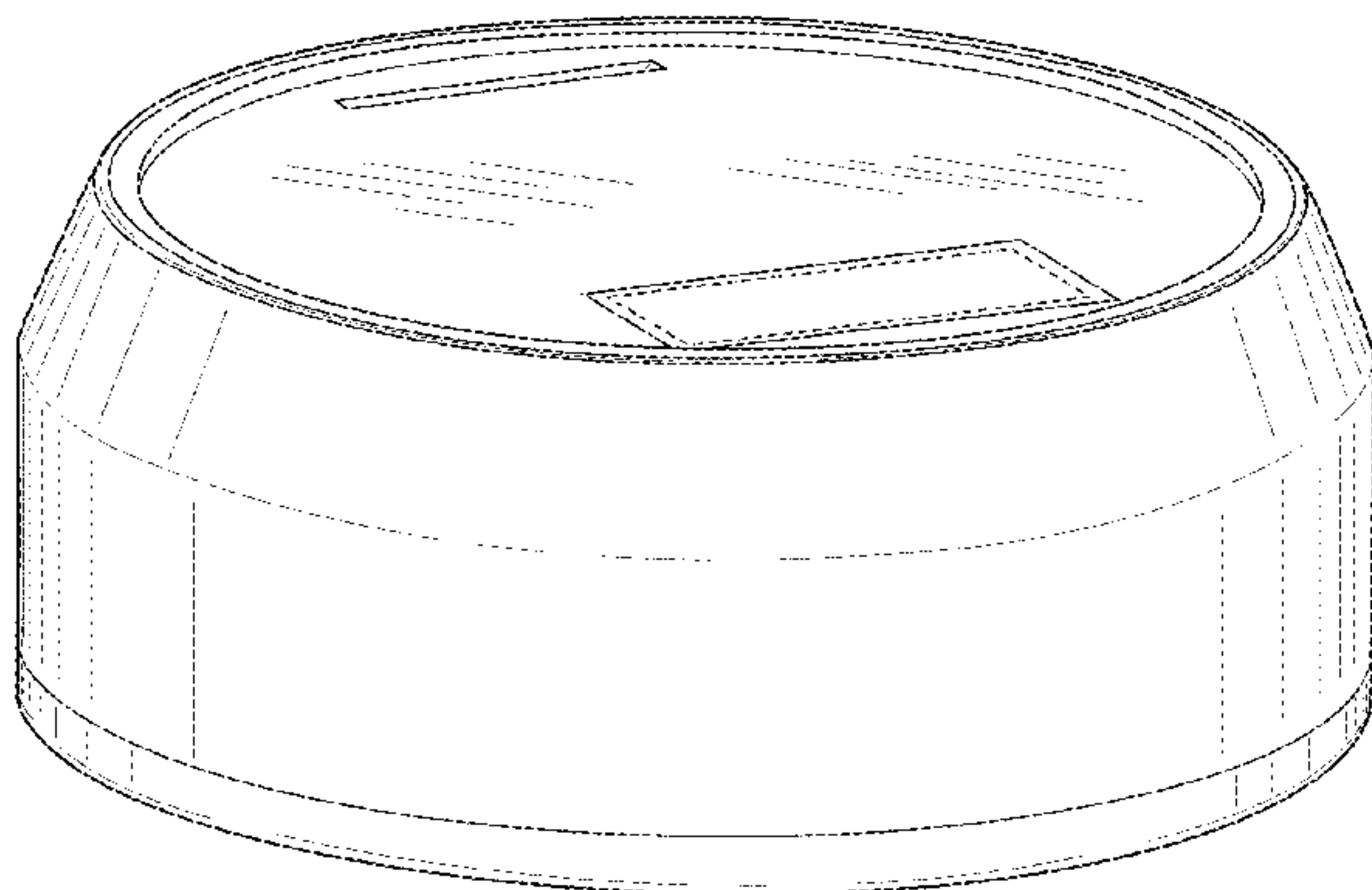
FIG. 6 is a rear side elevational view thereof.

FIG. 7 is a top plan view thereof; and,

FIG. 8 is a bottom plan view thereof.

The broken lines in the drawings are for the purpose of illustrating portions of the power supply that form no part of the claimed design.

1 Claim, 8 Drawing Sheets



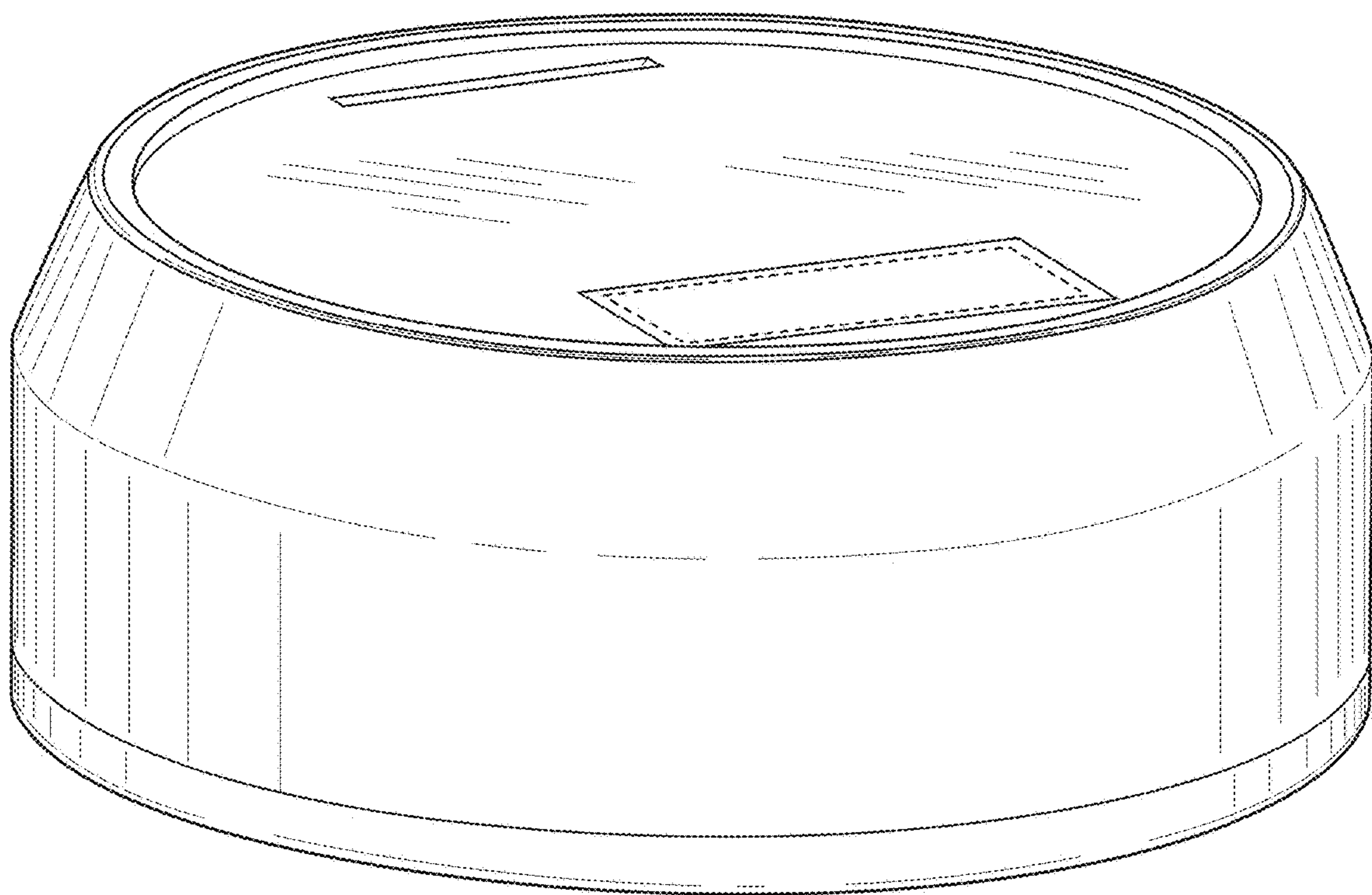


Fig. 1

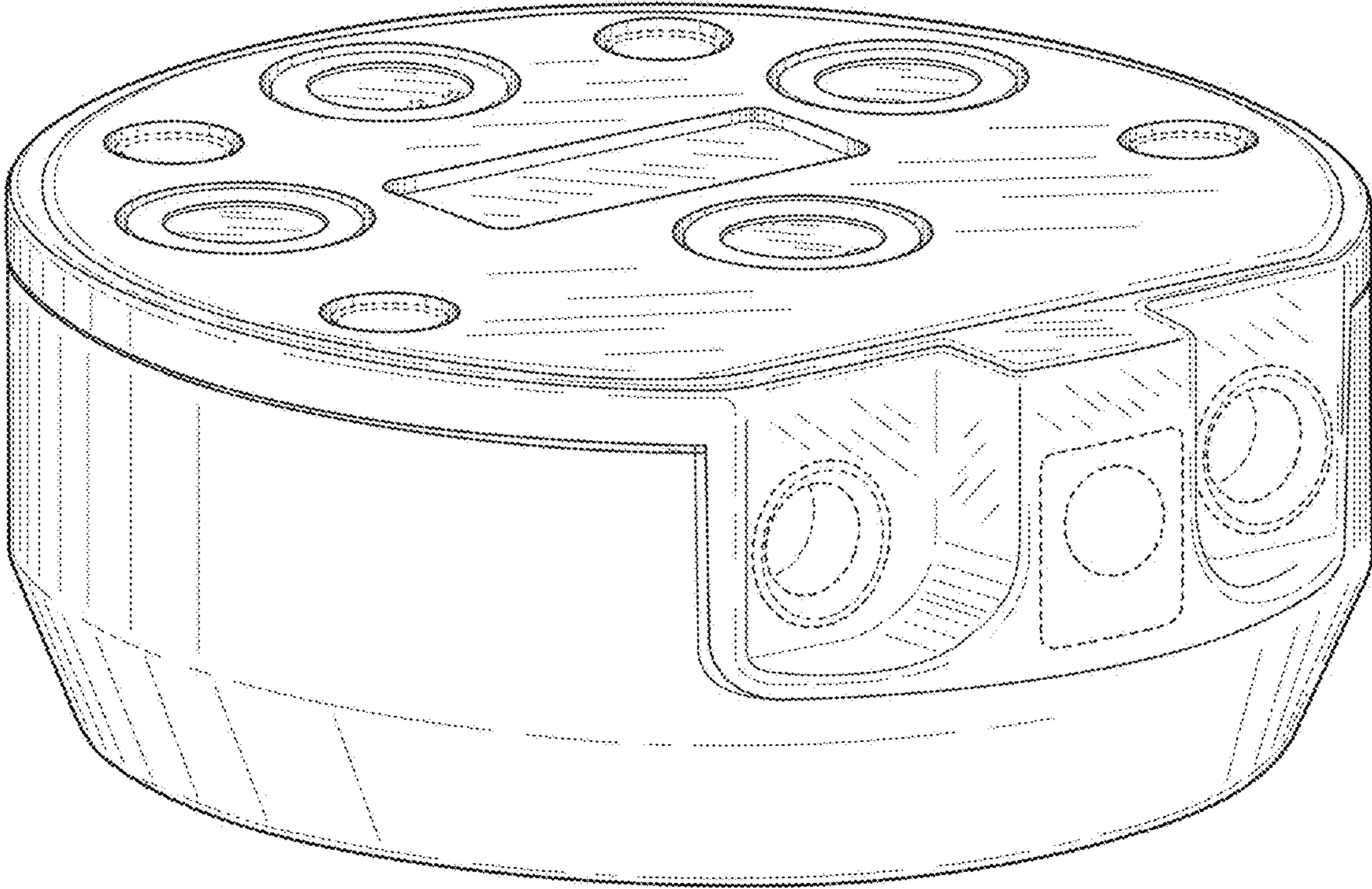


Fig.2

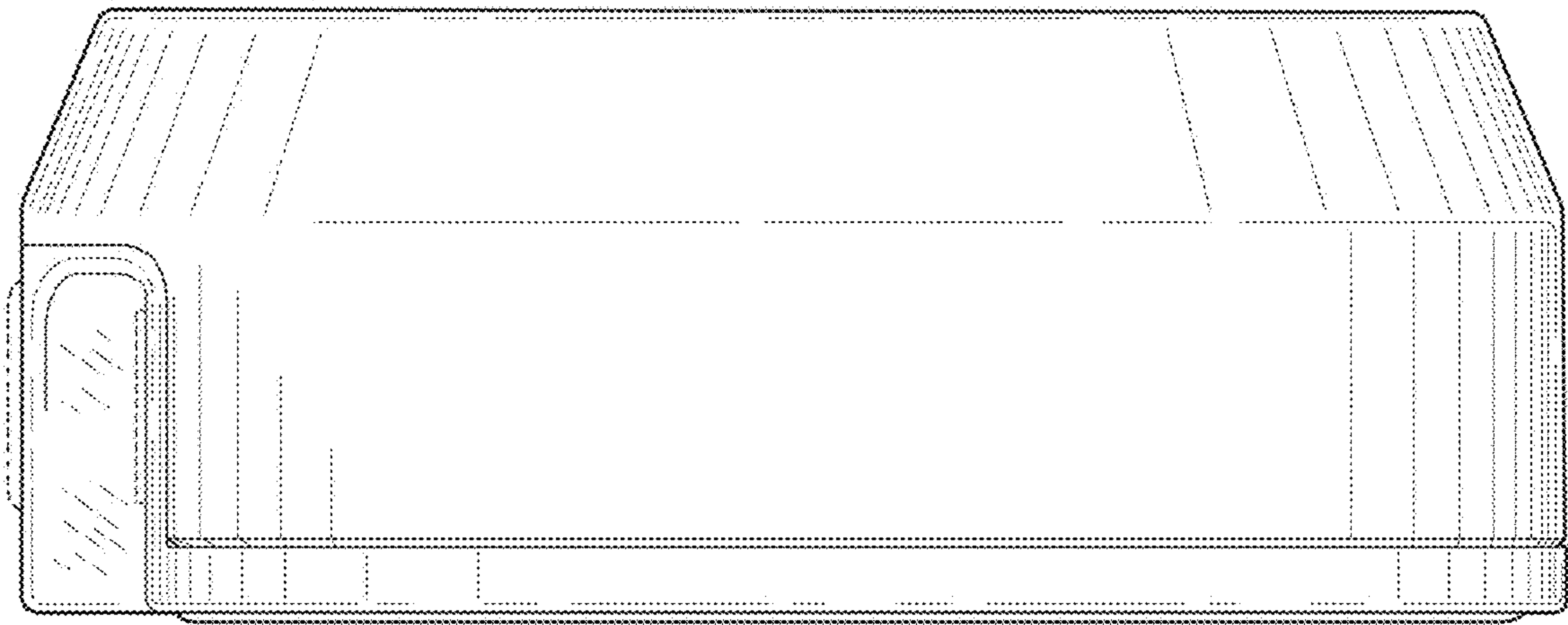


Fig.3

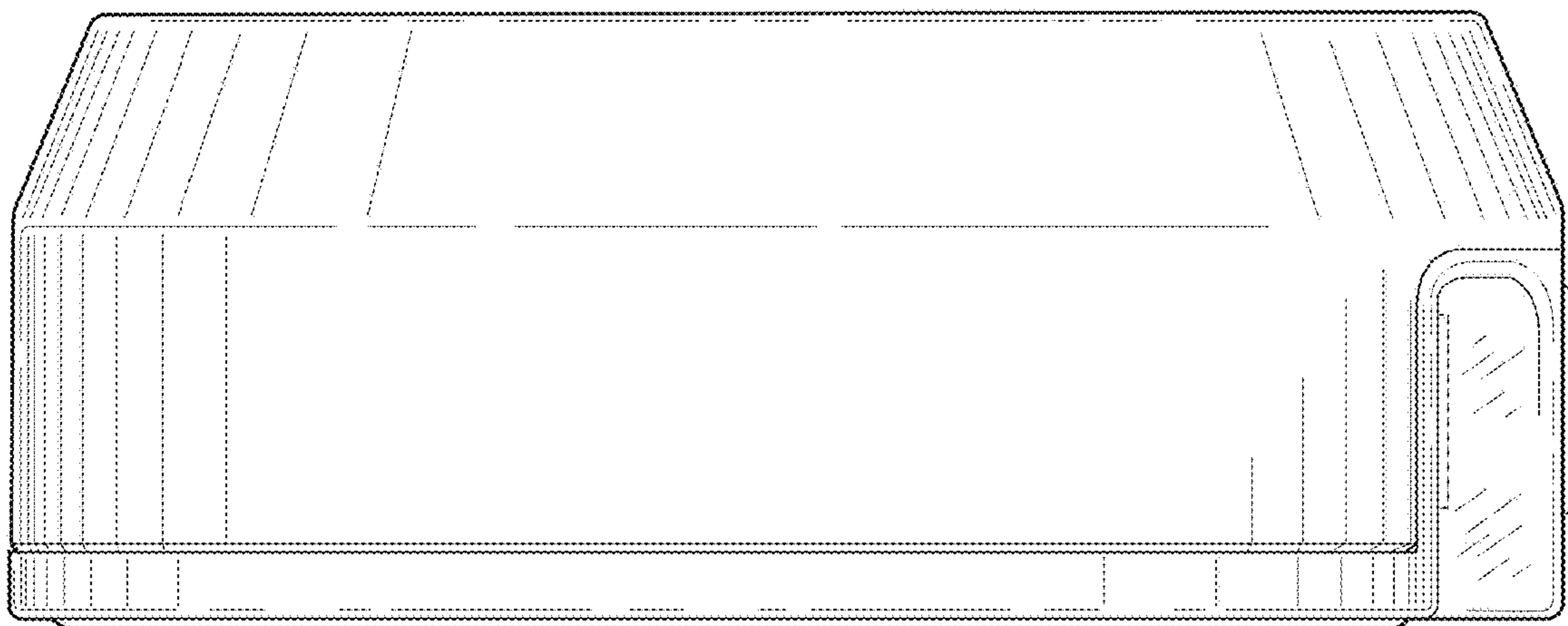


Fig.4

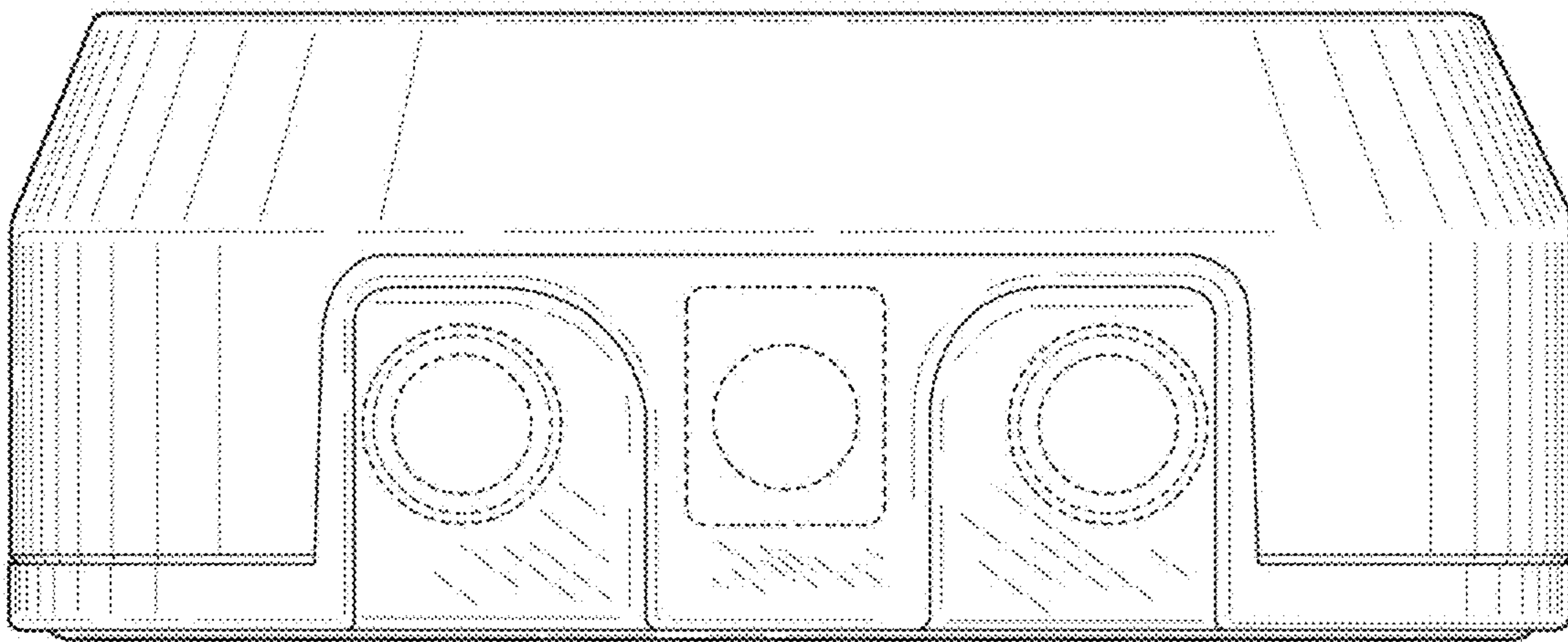


Fig.5

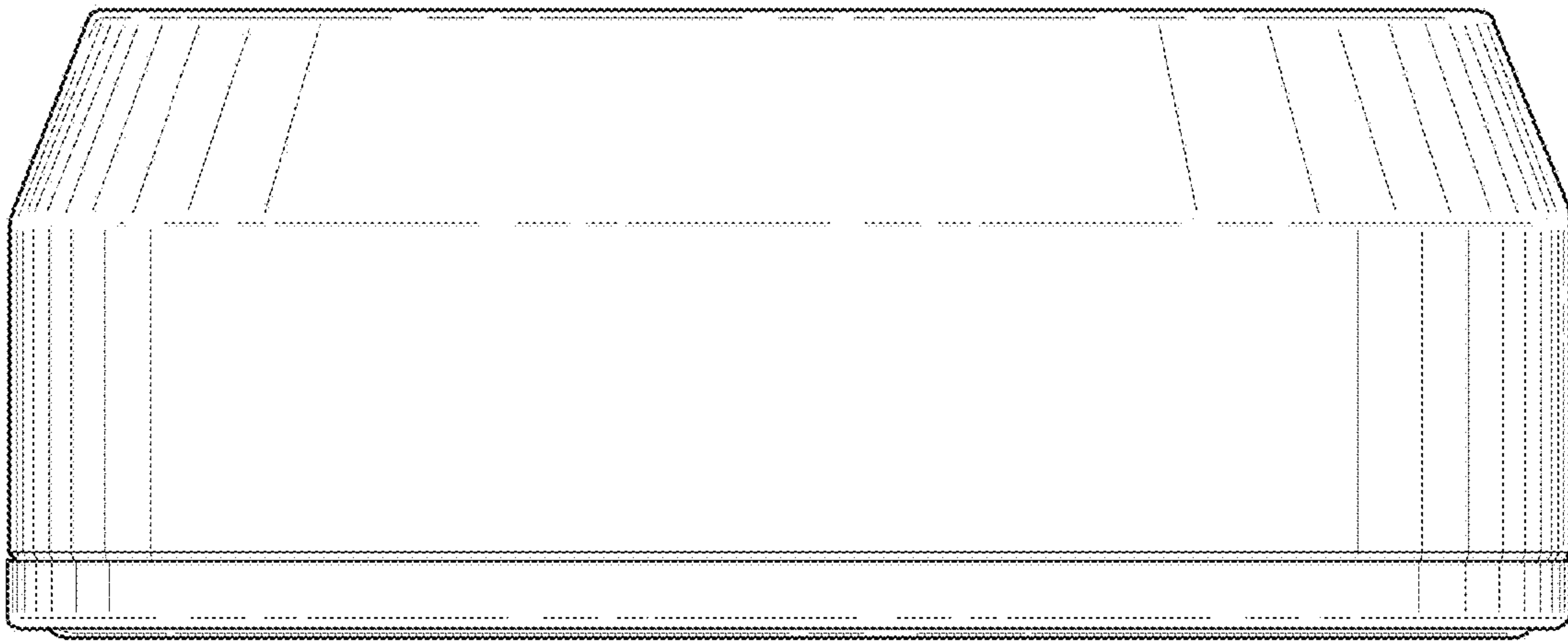


Fig.6

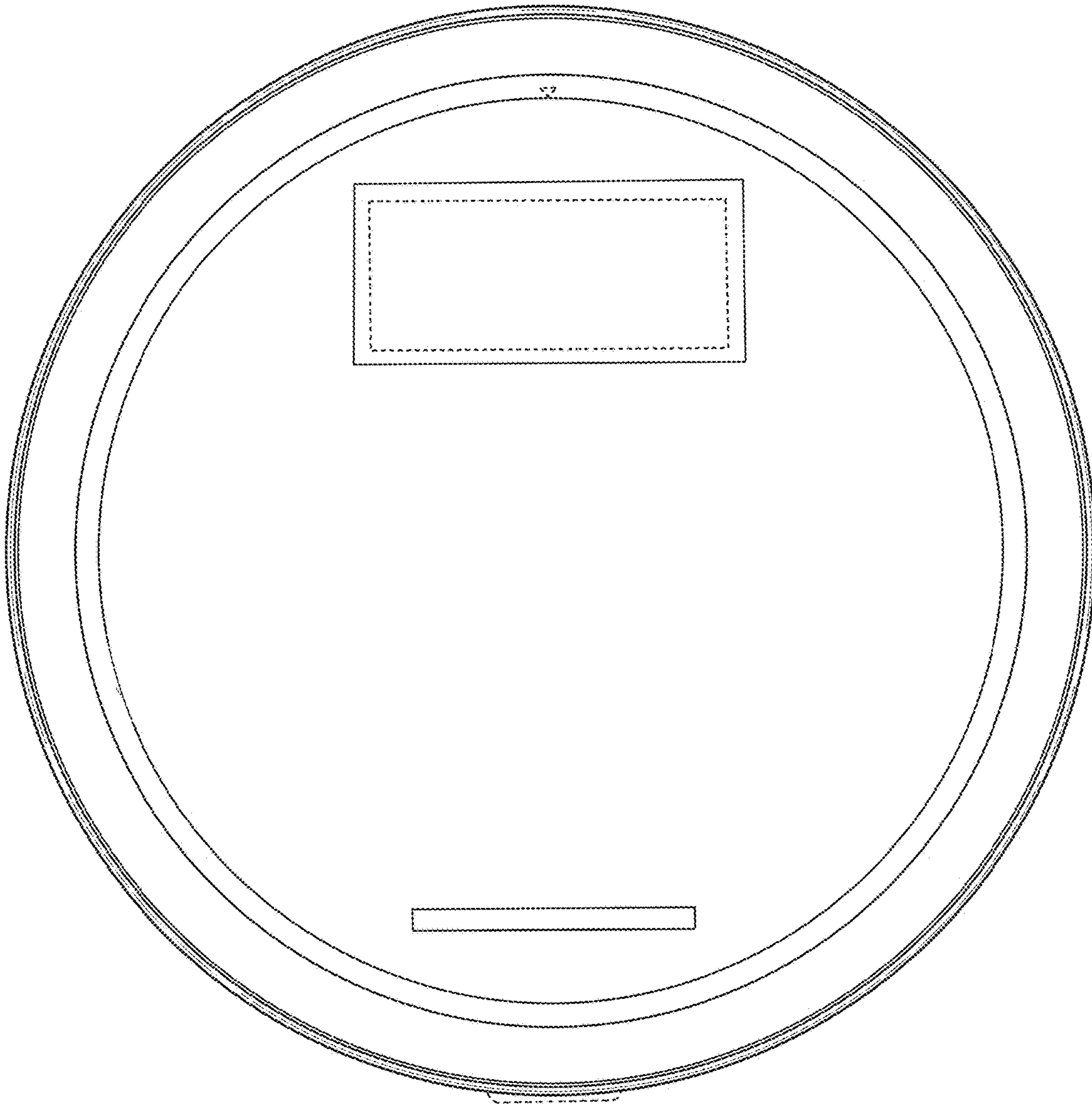


Fig.7

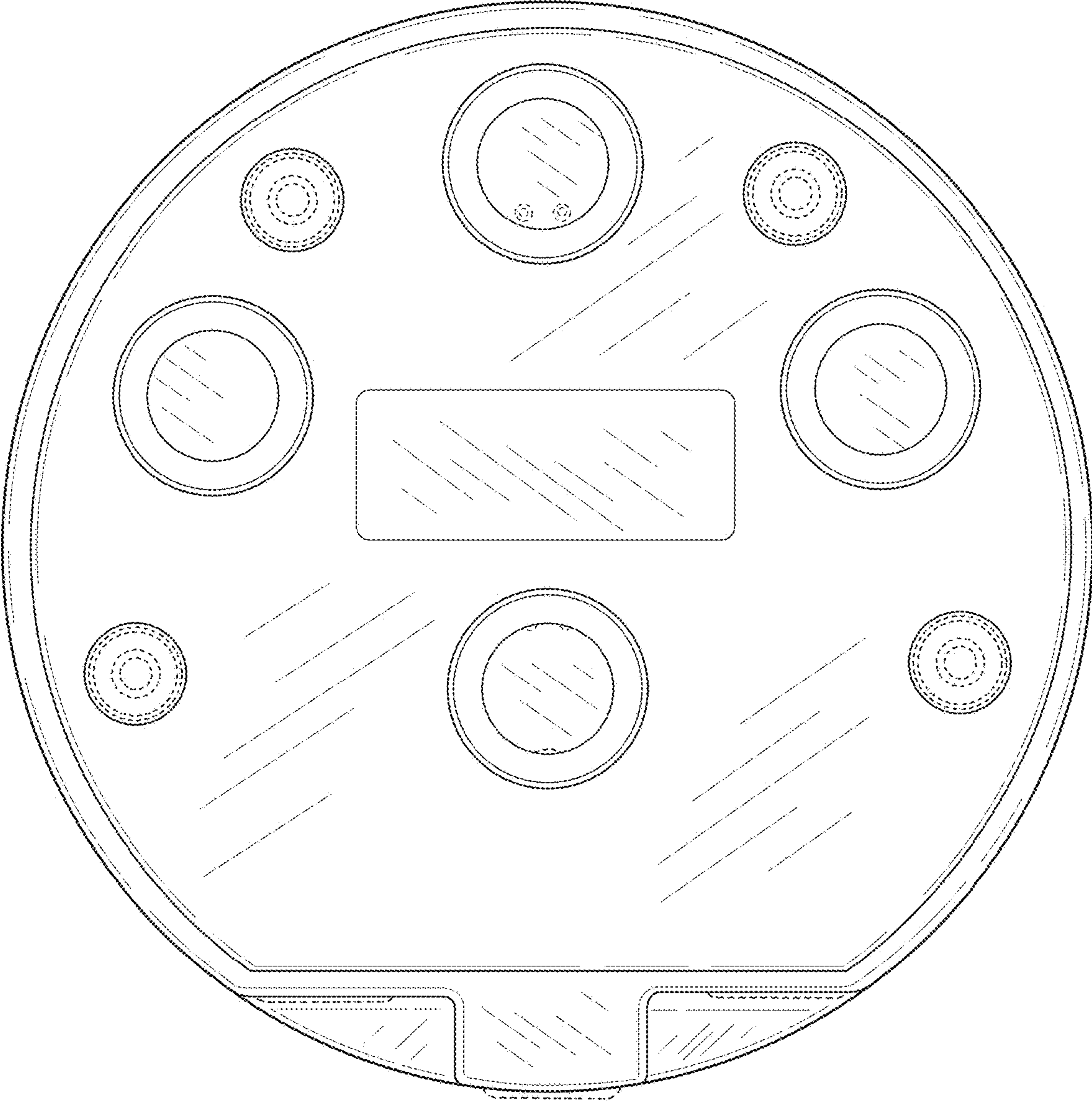


Fig.8