



US00D837147S

(12) **United States Design Patent**
Baxter et al.

(10) **Patent No.:** **US D837,147 S**

(45) **Date of Patent:** **** Jan. 1, 2019**

(54) **POWER MODULE**

(71) Applicant: **ChargePoint, Inc.**, Campbell, CA (US)

(72) Inventors: **David Baxter**, Monte Sereno, CA (US);
Darren Chin-Ho Kim, Oakland, CA (US);
Peter H. Muller, Portland, OR (US);
Pasquale Romano, Los Gatos, CA (US);
Price B. Terzis, Los Altos Hills, CA (US)

(73) Assignee: **CHARGEPOINT, INC.**, Campbell, CA (US)

(**) Term: **15 Years**

(21) Appl. No.: **29/589,815**

(22) Filed: **Jan. 4, 2017**

(51) **LOC (11) Cl.** **13-02**

(52) **U.S. Cl.**
USPC **D13/108**; D13/103

(58) **Field of Classification Search**
USPC D13/102–110, 118–119, 184, 199;
D14/356, 432
CPC Y02E 60/10; Y02E 60/12; Y02E 60/122;
Y02E 60/124; Y02E 60/50; H01M 2/02;
H01M 2/022; H01M 2/0202; H01M 2/0207;
H01M 2/0212; H01M 2/1061; H01M 2/1022;
H01M 2/1055; H01M 2/1066; H01M 2/105; H01M 2/20; H01M 2/204;
H01M 2/206; H01M 10/44; H01M 10/46;

(Continued)

(56) **References Cited**

U.S. PATENT DOCUMENTS

D483,725 S * 12/2003 Thompson D13/184
D566,650 S * 4/2008 McGowan D13/110

(Continued)

Primary Examiner — Rosemary K Tarcza

Assistant Examiner — Nathaniel D. Buckner

(74) *Attorney, Agent, or Firm* — Nicholson De Vos
Webster & Elliott LLP

(57) **CLAIM**

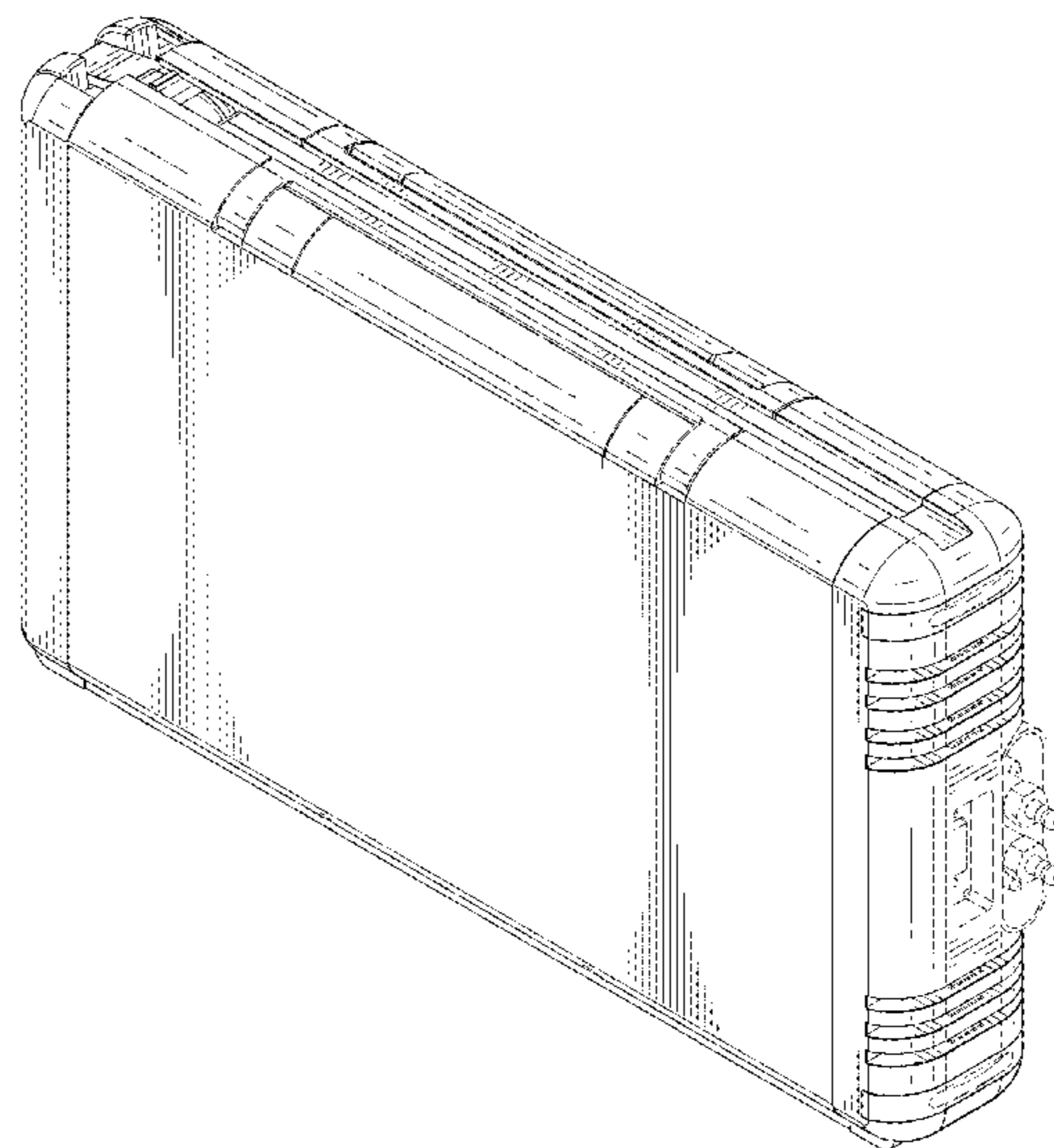
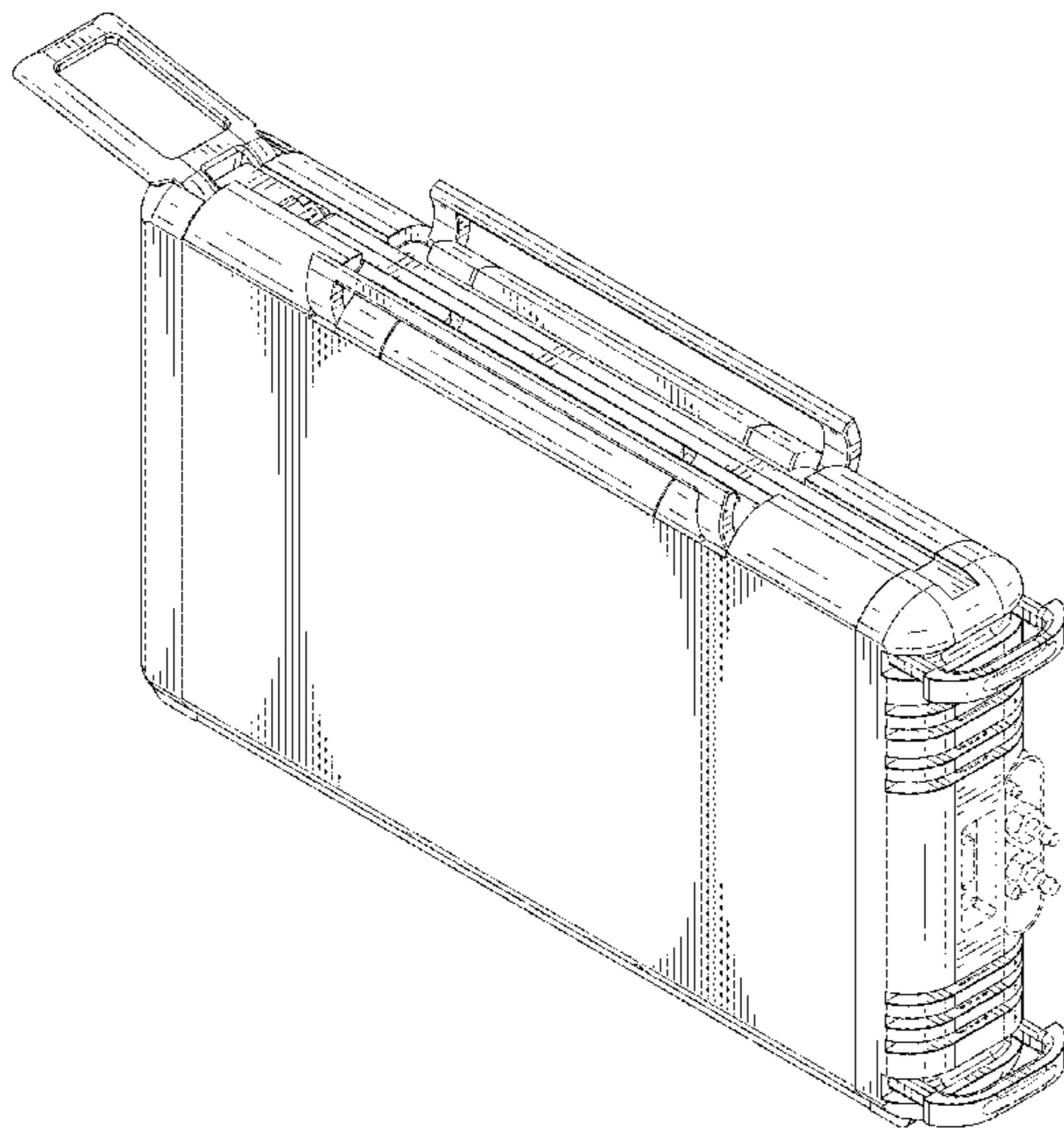
The ornamental design for a power module, as shown and described.

DESCRIPTION

FIG. 1 shows a front perspective view of a power module showing our new design in an open configuration; FIG. 2 shows a front view of the power module of FIG. 1; FIG. 3 shows a back view of the power module of FIG. 1; FIG. 4 shows a right view of the power module of FIG. 1; FIG. 5 shows a left view of the power module of FIG. 1; FIG. 6 shows a top view of the power module of FIG. 1; FIG. 7 shows a bottom view of the power module of FIG. 1; FIG. 8 shows a rear perspective view of the power module of FIG. 1; FIG. 9 is a front perspective view of the power module of FIG. 1, shown in a closed position; FIG. 10 shows a front view of the power module of FIG. 9; FIG. 11 shows a back view of the power module of FIG. 9; FIG. 12 shows a right view of the power module of FIG. 9; FIG. 13 shows a left view of the power module of FIG. 9; FIG. 14 shows a top view of the power module of FIG. 9; FIG. 15 shows a bottom view of the power module of FIG. 9; and, FIG. 16 shows a rear perspective view of the power module of FIG. 9.

The broken lines illustrate environmental structure and form no part of the claimed design.

1 Claim, 12 Drawing Sheets



(58) **Field of Classification Search**

CPC H01M 10/465; H01M 10/482; H01M
2200/30; H01M 2250/30; H01M 2250/40;
H02J 7/00; H02J 7/0003; H02J 7/0011;
H02J 7/0013; H02J 7/0054; H02J 7/0055;
H02J 7/0057; H02J 2007/0062

See application file for complete search history.

(56) **References Cited**

U.S. PATENT DOCUMENTS

D632,643	S	*	2/2011	Tanaka	D13/103
D638,787	S	*	5/2011	Tanaka	D13/103
D659,694	S	*	5/2012	Sumita	D14/356
D682,206	S	*	5/2013	Farris-Gilbert	H01R 13/652 D13/110
D686,981	S	*	7/2013	Koyabu	D13/103
D760,164	S	*	6/2016	Aida	D13/110
D785,563	S	*	5/2017	Yang	D13/103
D786,191	S	*	5/2017	McSweyn	D13/103
D803,151	S	*	11/2017	Zhou	D13/107
D810,021	S	*	2/2018	Iwai	D13/119
2018/0029497	A1	*	2/2018	Shieh	B60L 11/1879

* cited by examiner

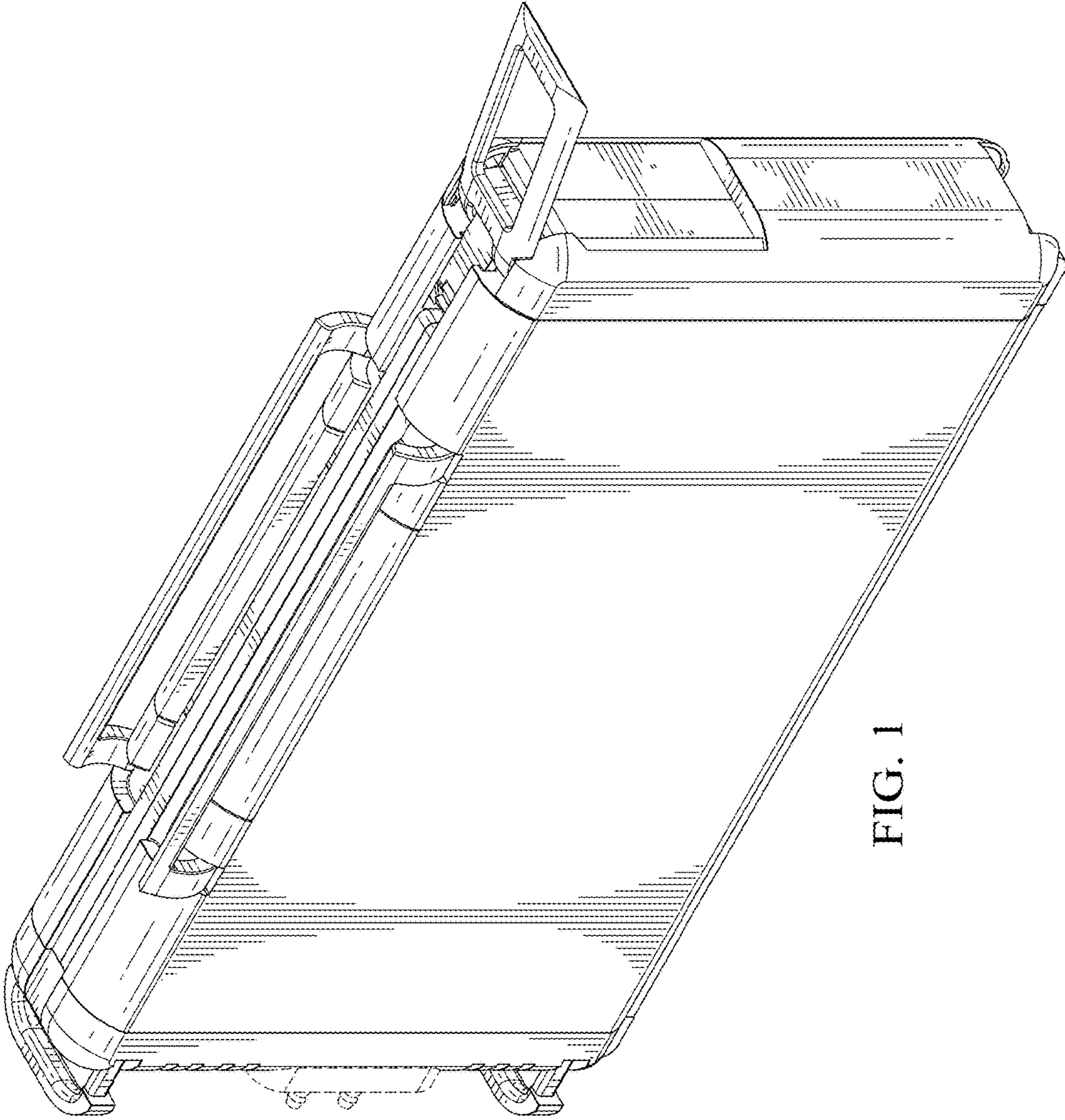


FIG. 1

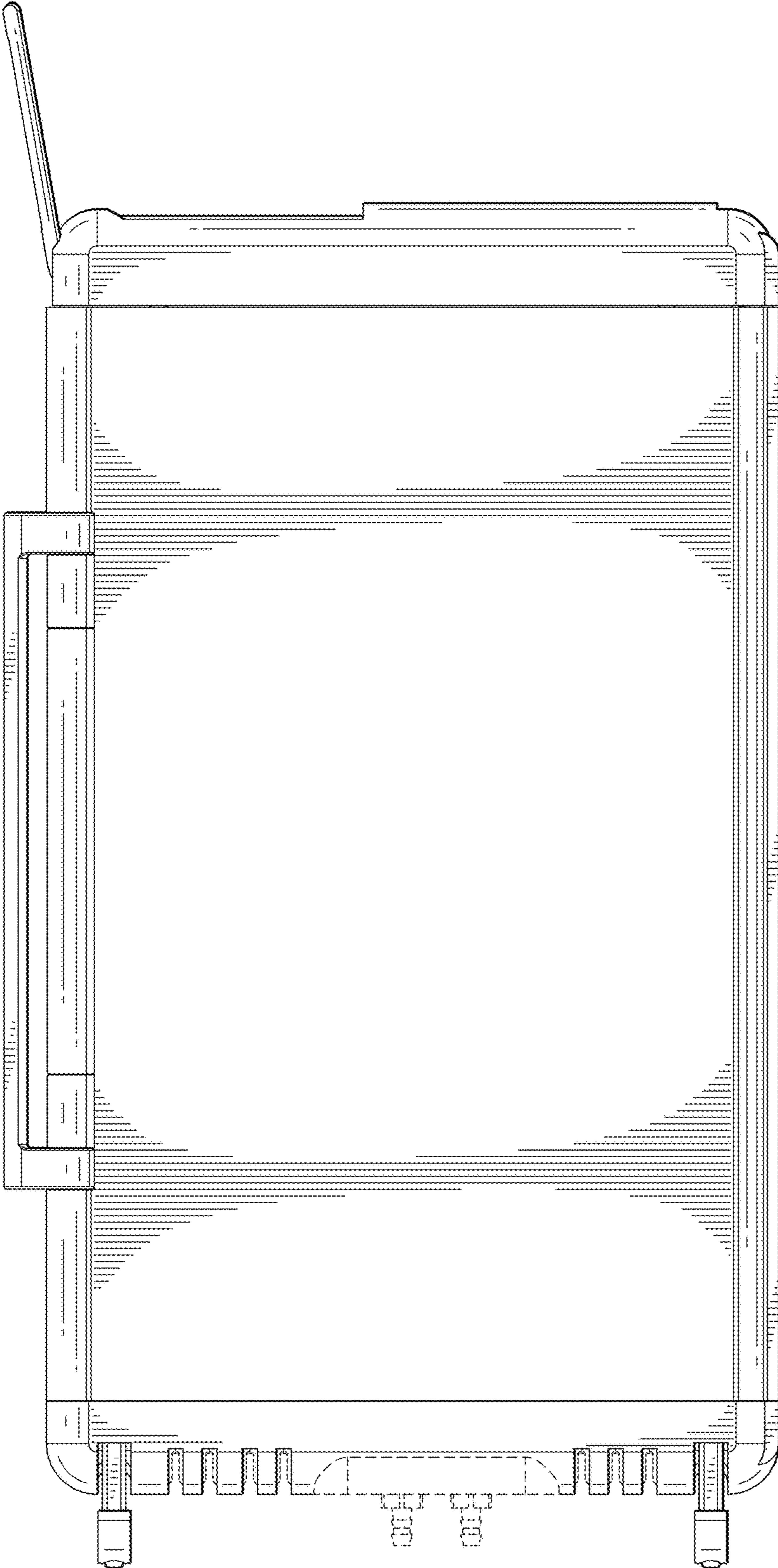


FIG. 2

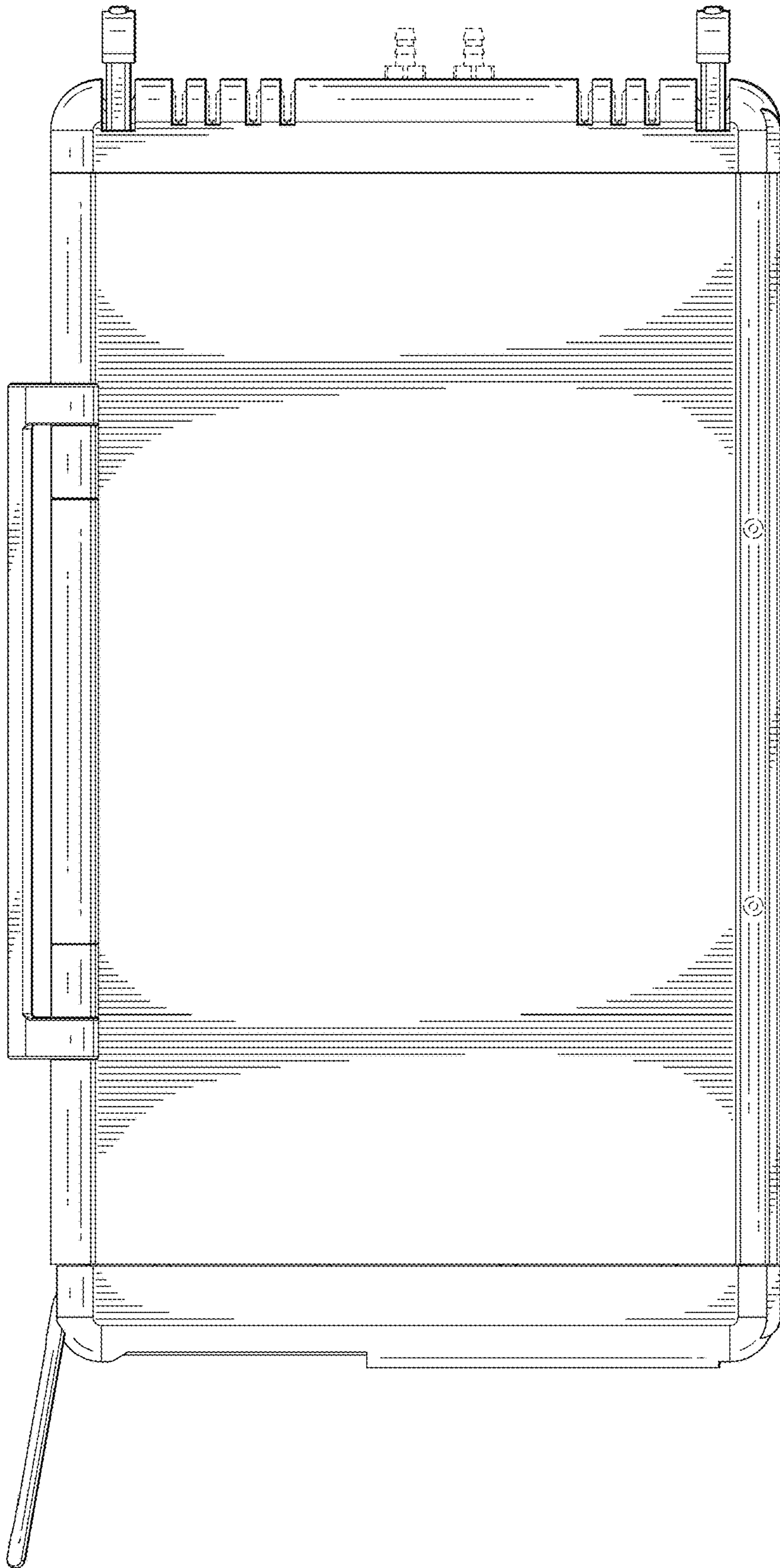


FIG. 3

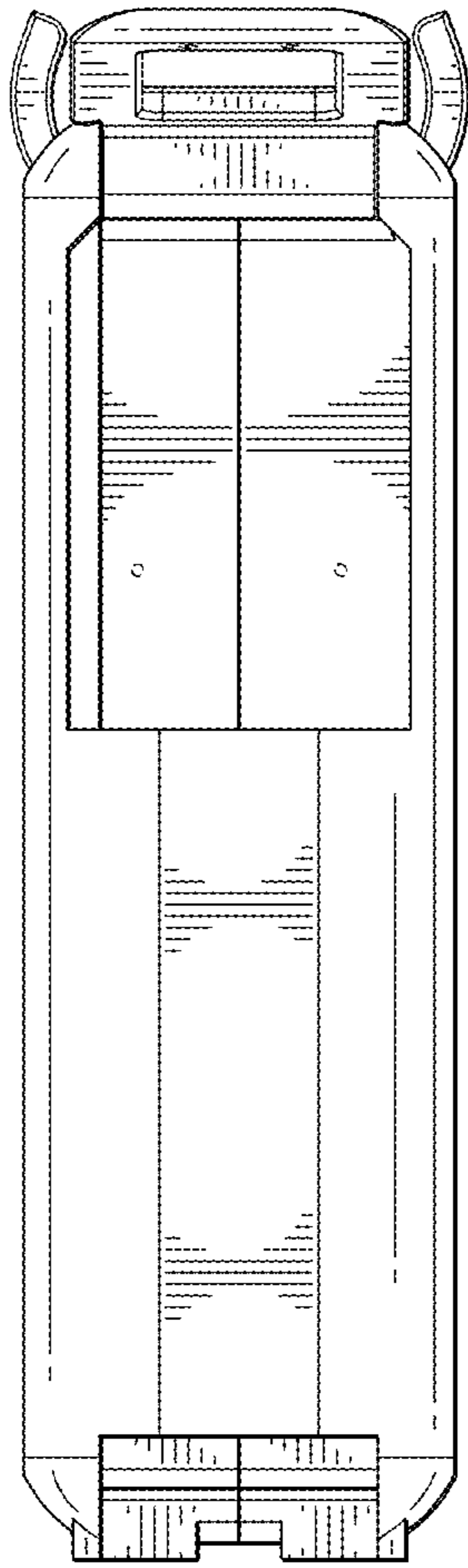


FIG. 4

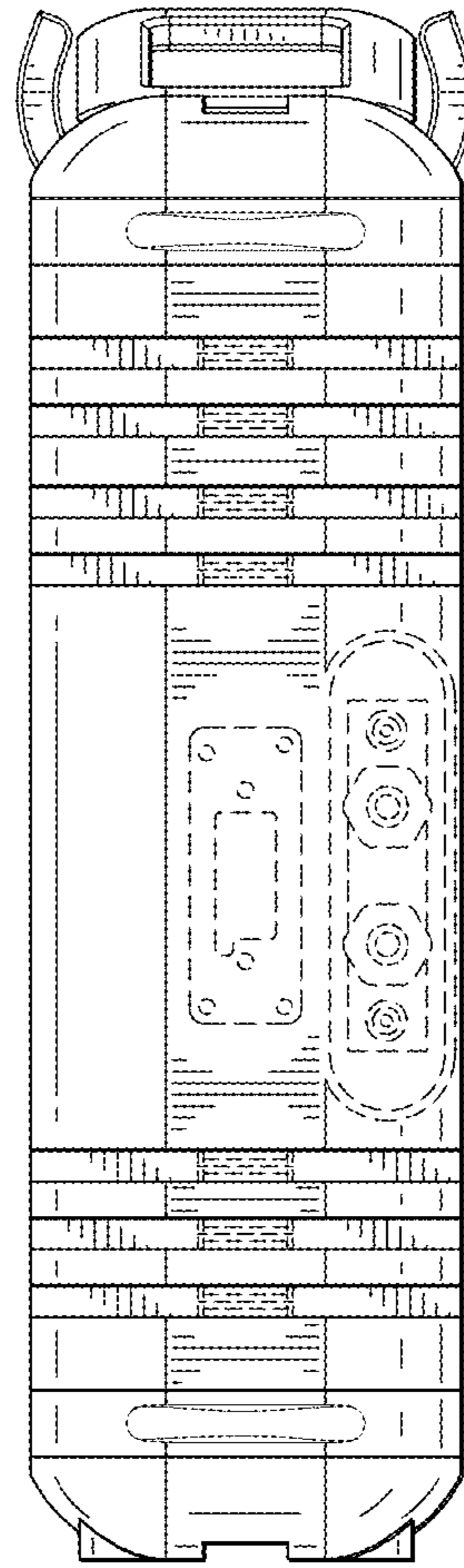


FIG. 5

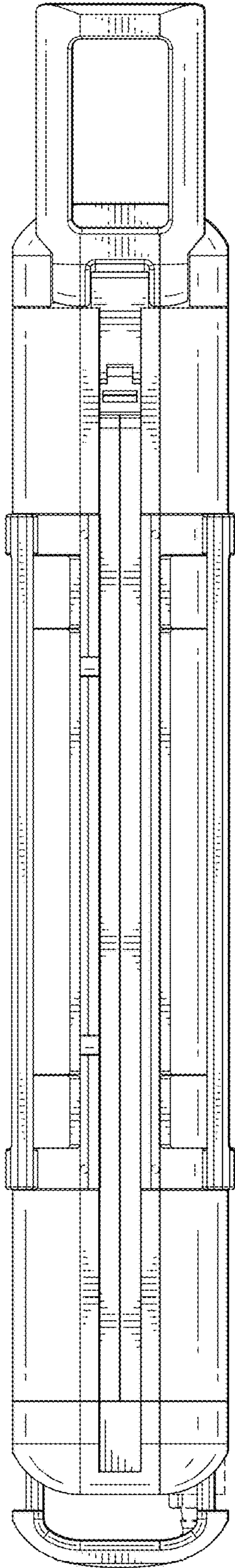


FIG. 6

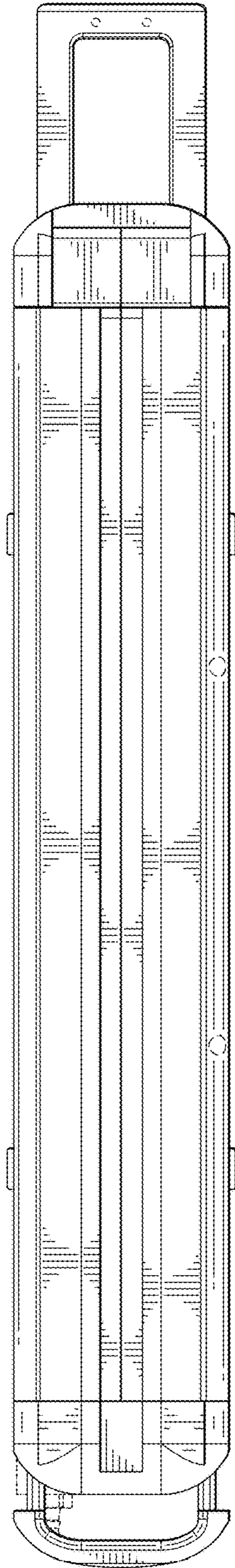


FIG. 7

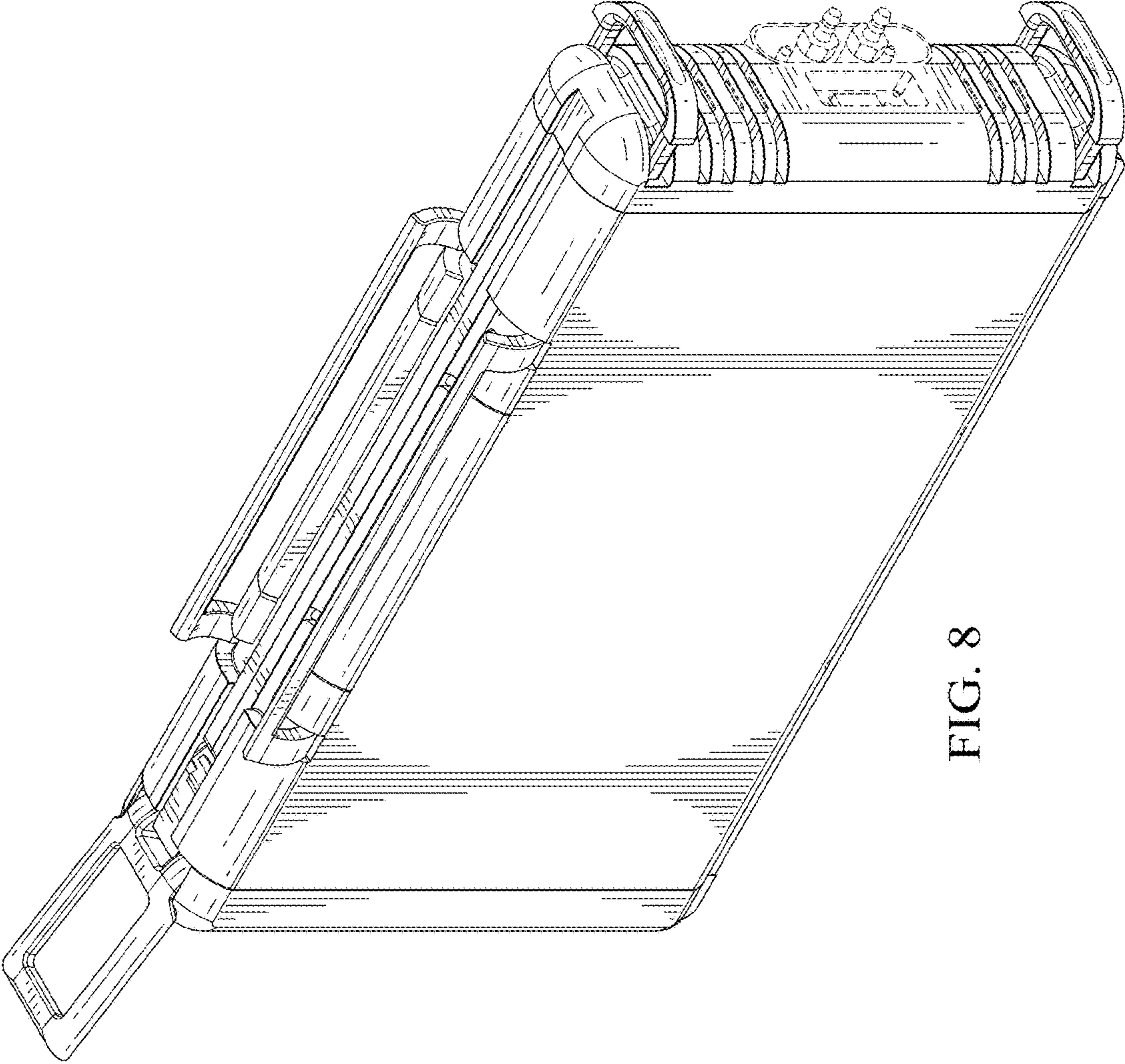


FIG. 8

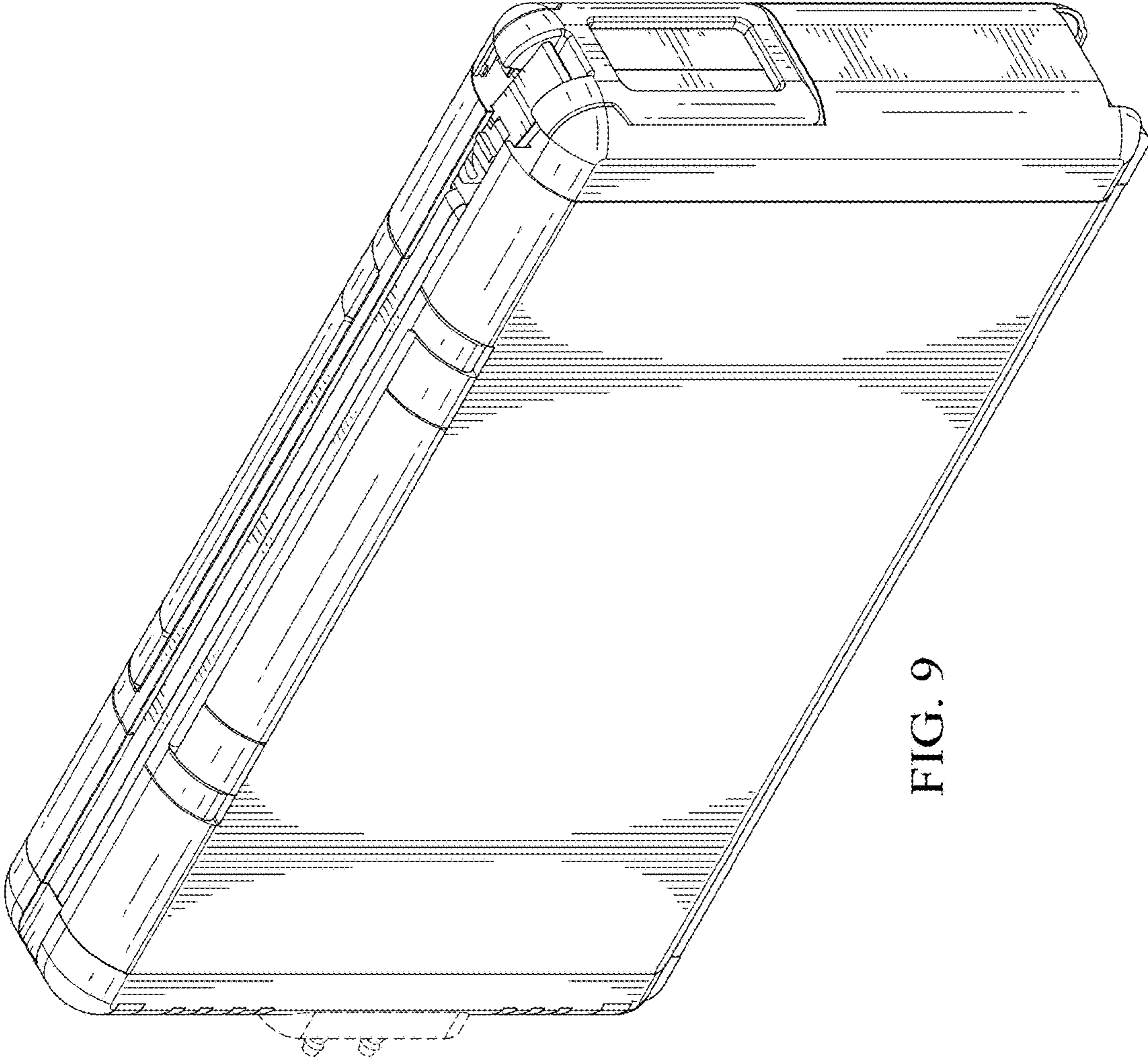


FIG. 9

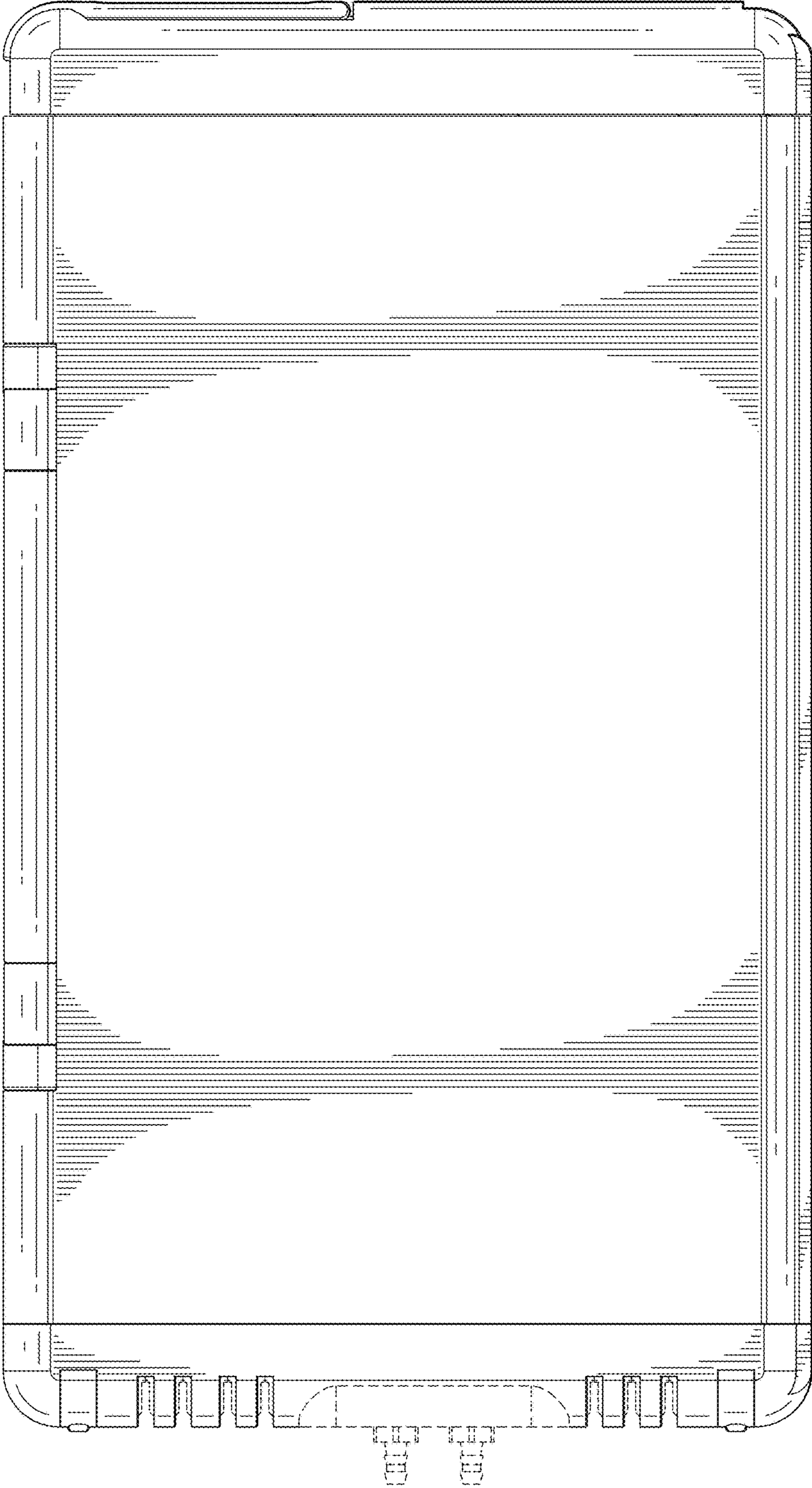


FIG. 10

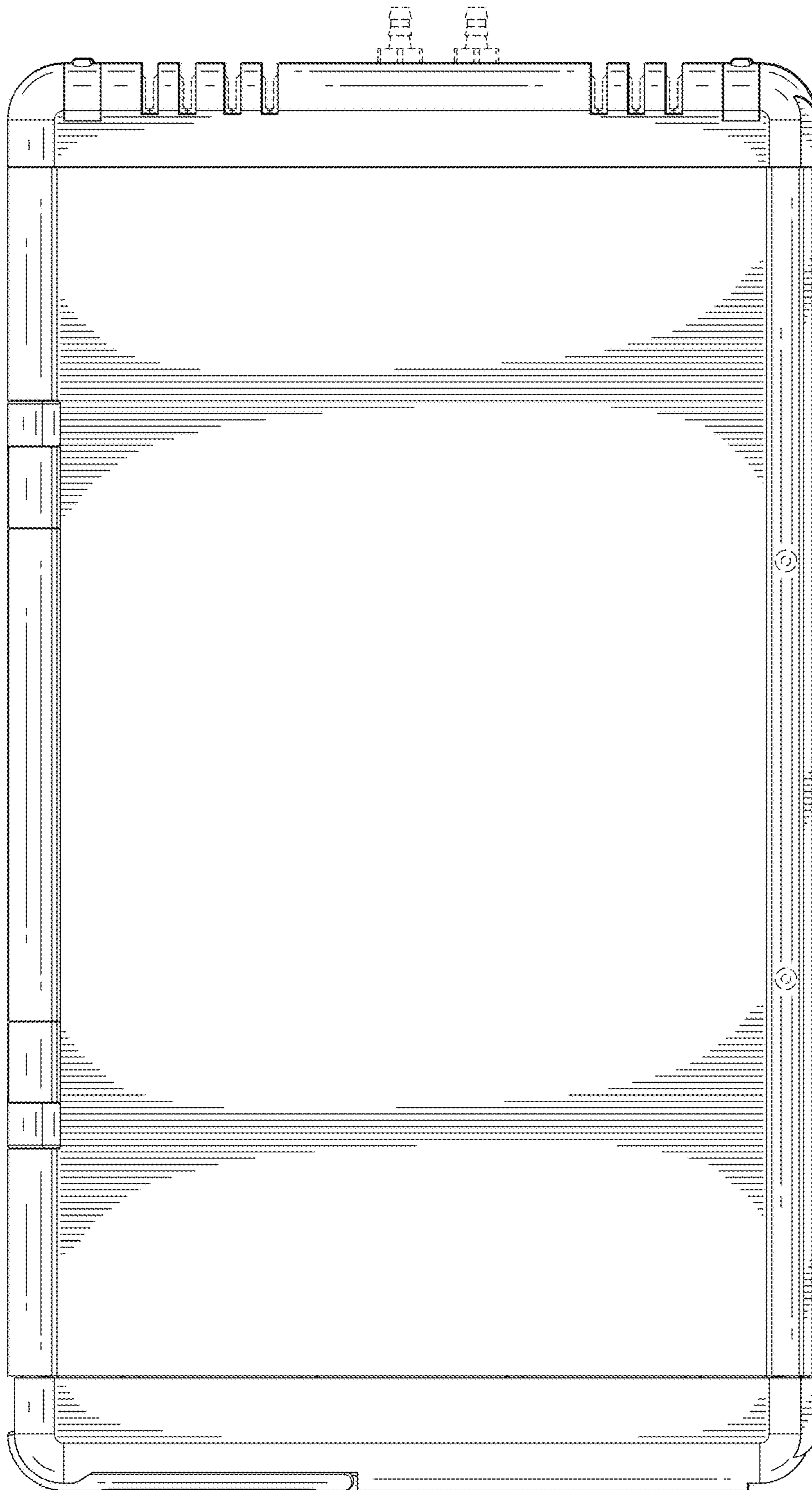


FIG. 11

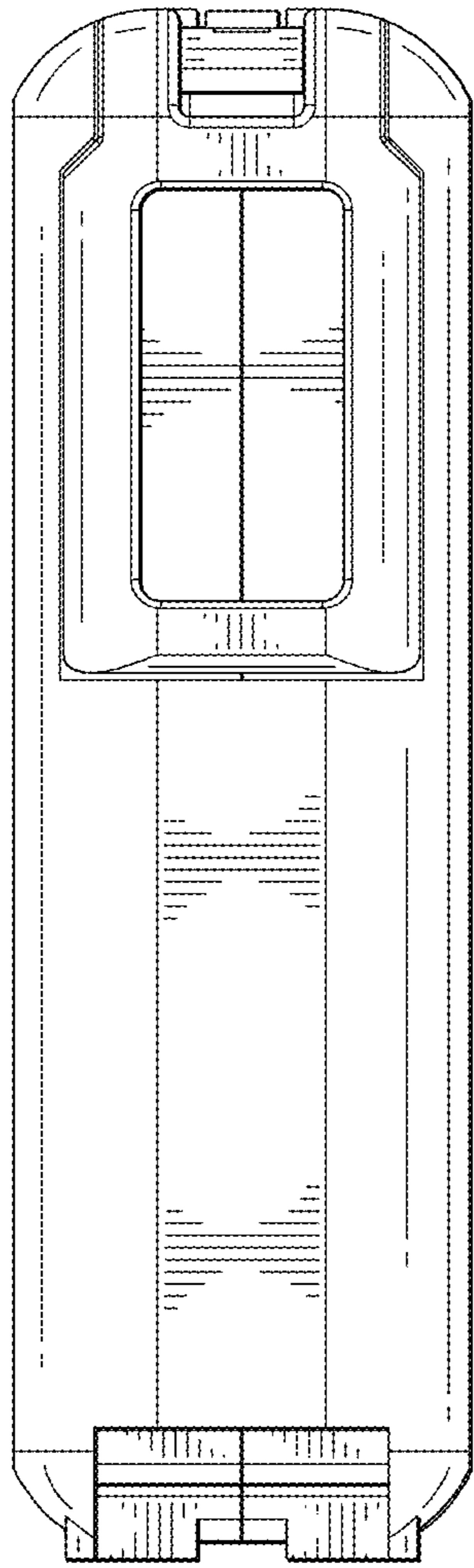


FIG. 12

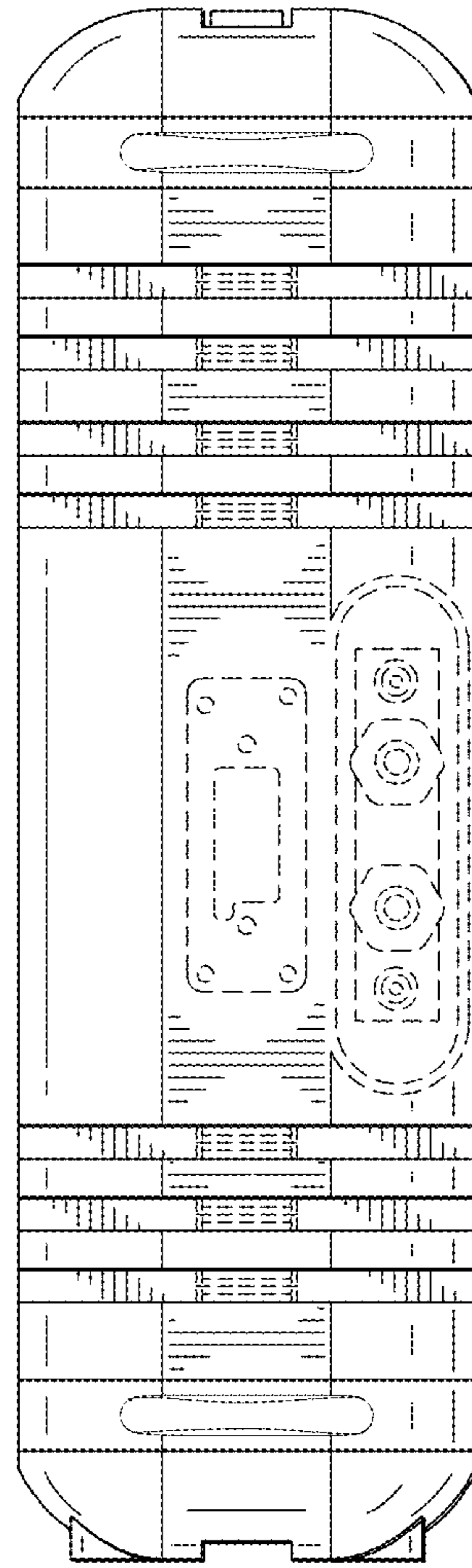


FIG. 13

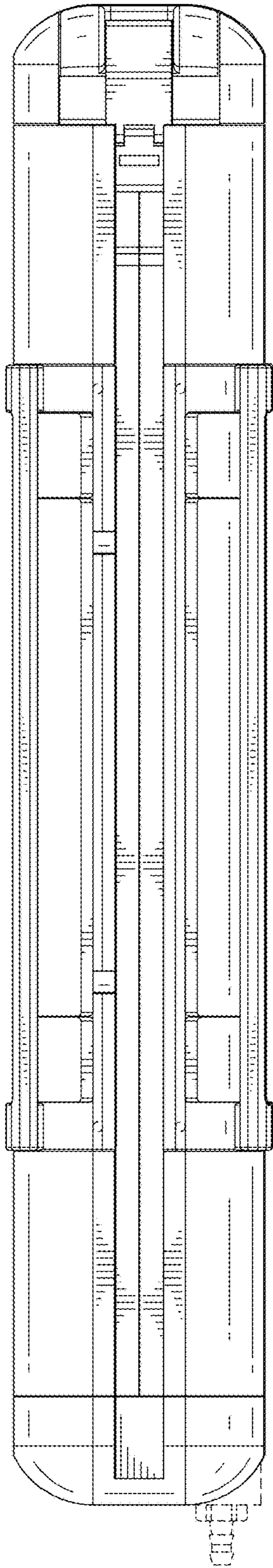


FIG. 14

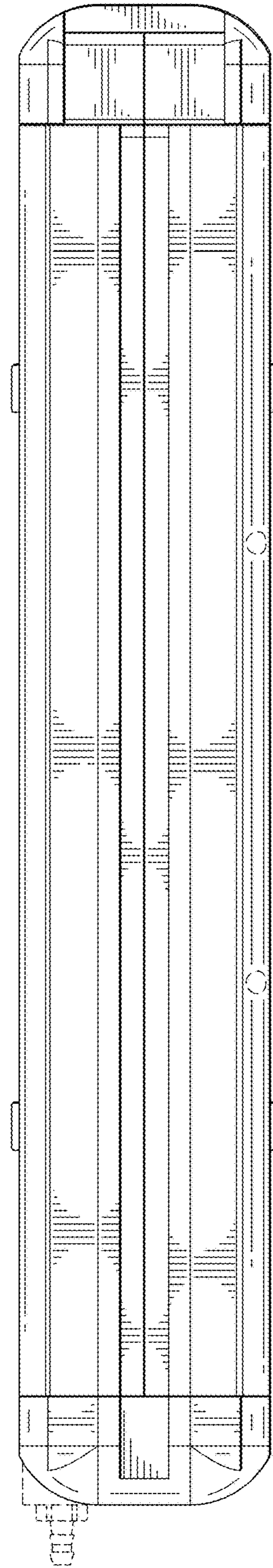


FIG. 15

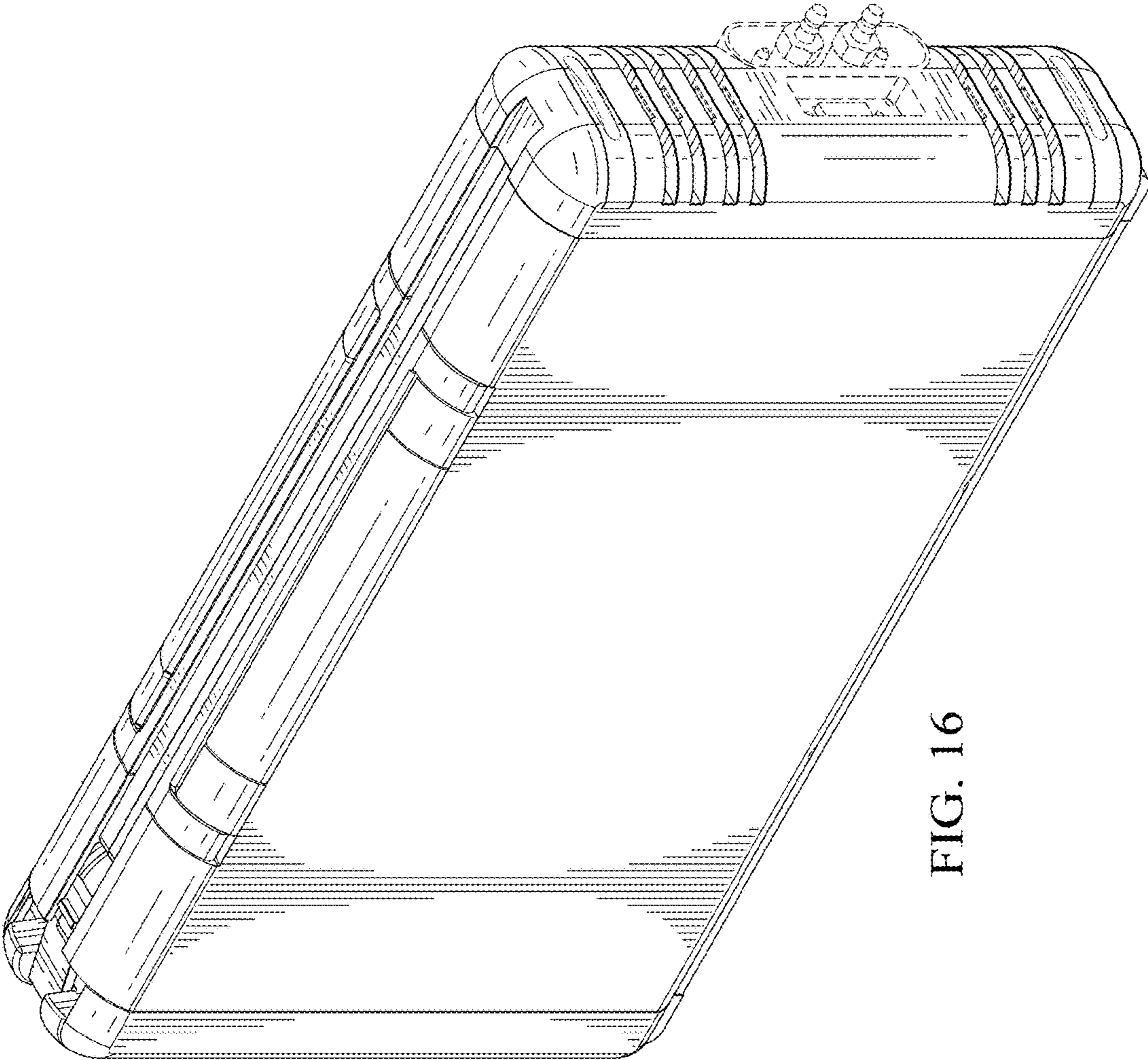


FIG. 16