



US00D837146S

(12) **United States Design Patent**
Kong et al.

(10) **Patent No.:** **US D837,146 S**
(45) **Date of Patent:** **** Jan. 1, 2019**

(54) **CHARGING PAD**

(71) Applicant: **Intel Corporation**, Santa Clara, CA
(US)

(72) Inventors: **Duck Young Kong**, Beaverton, OR
(US); **Randall W Martin**, Hillsboro,
OR (US)

(73) Assignee: **Intel Corporation**, Santa Clara, CA
(US)

(**) Term: **15 Years**

(21) Appl. No.: **29/589,159**

(22) Filed: **Dec. 28, 2016**

(51) **LOC (11) Cl.** **13-02**

(52) **U.S. Cl.**
USPC **D13/108**

(58) **Field of Classification Search**
USPC D13/102, 107-110, 118-119, 184;
D14/251, 253, 432, 434
CPC Y02E 60/12; Y02T 90/14; Y02T 90/122;
Y02T 90/128; Y02T 90/163; H02J 7/025;
H02J 7/0042; H02J 7/0044; H02J 7/0045;
H02J 7/0003; H01F 38/14; H01R
13/6675; H01M 2/1022; H01M 2/1055;
H01M 10/44; H01M 10/46; H01M
10/425; B60L 11/182

See application file for complete search history.

(56) **References Cited**

U.S. PATENT DOCUMENTS

D476,262 S *	6/2003	Hensley	D11/118
D479,191 S *	9/2003	Peress	D13/102
D617,265 S *	6/2010	Sasada	D13/102
D617,266 S *	6/2010	Sasada	D13/102
D620,431 S *	7/2010	Sasada	D13/102
D628,148 S *	11/2010	English	D13/102
D659,086 S *	5/2012	Grauer	D13/102
D689,016 S *	9/2013	Nook	D13/102

D700,134 S *	2/2014	Fallon	D13/102
D734,248 S *	7/2015	Nook	D13/102
D750,556 S *	3/2016	Morad	D13/102
D754,598 S *	4/2016	Munshi	D13/102
D755,119 S *	5/2016	Munshi	D13/102
D767,484 S *	9/2016	Morad	D13/102
D776,050 S *	1/2017	Awad	D13/102
D781,230 S *	3/2017	Gibson	D13/102
D784,948 S *	4/2017	Brown, III	D14/138 G

(Continued)

Primary Examiner — Rosemary K Tarcza

Assistant Examiner — Nathaniel D. Buckner

(74) *Attorney, Agent, or Firm* — Schwegman Lundberg &
Woessner, P.A.

(57) **CLAIM**

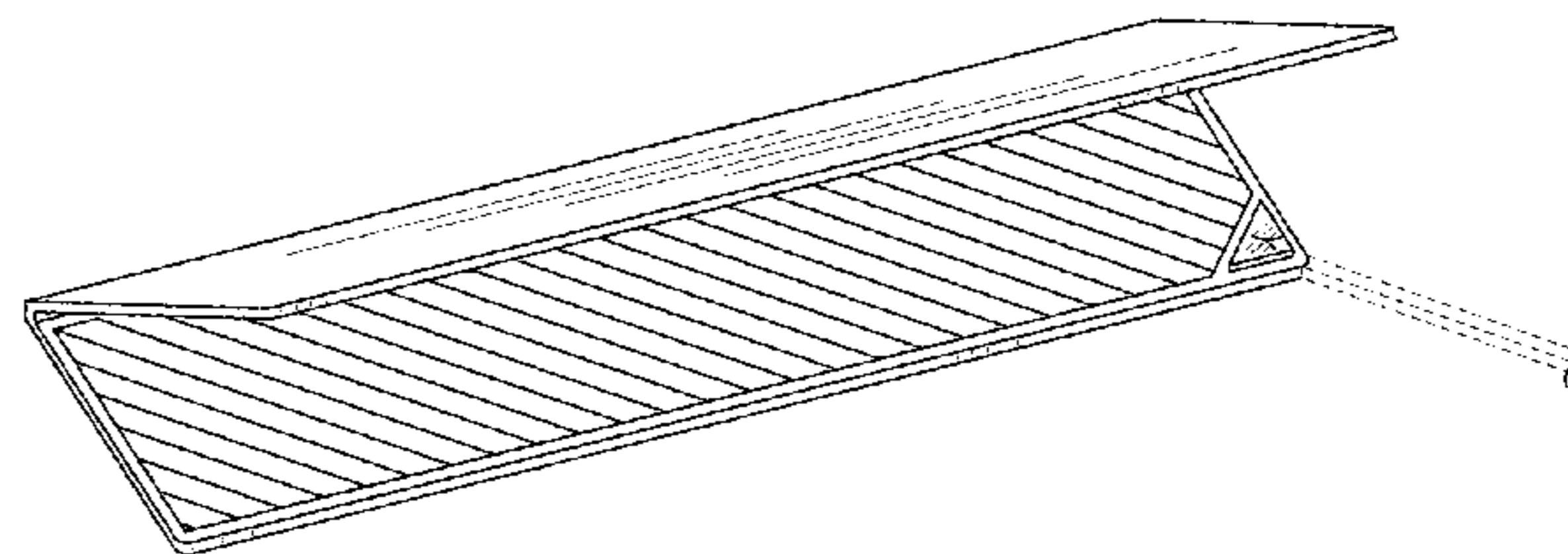
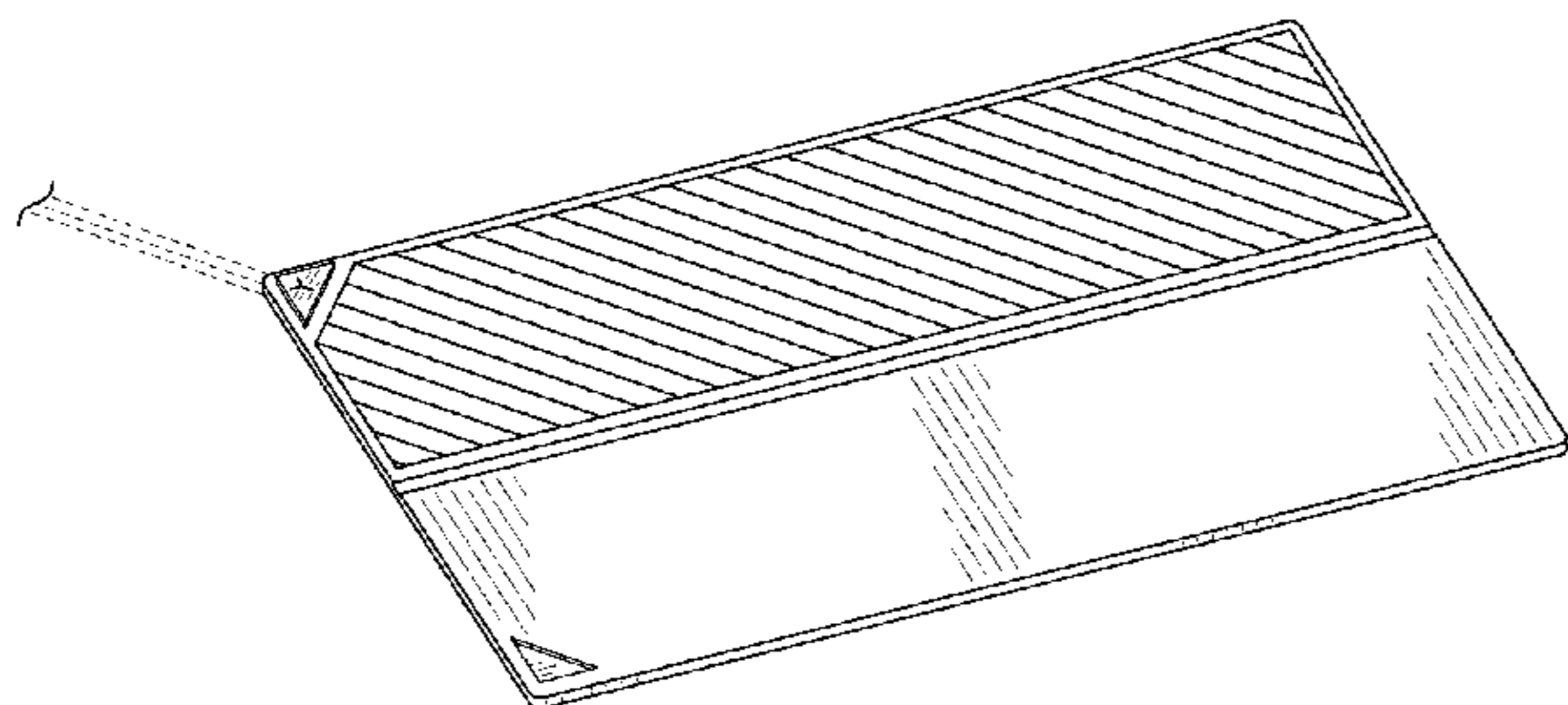
The ornamental design for a charging pad, as shown and described.

DESCRIPTION

FIG. 1 is a top-left-perspective view of a charging pad showing our new design; FIG. 2 is a top view thereof; FIG. 3 is a bottom view thereof; FIG. 4 is a right-side view thereof; FIG. 5 is a left-side view thereof; FIG. 6 is a back view thereof; FIG. 7 is a front view thereof; FIG. 8 is a top-back-right-perspective view thereof, shown in a partially folded position; and, FIG. 9 is a top-back-right-perspective view thereof, shown in a completely folded position.

The dot-dash broken lines represent the bounds of the claimed design while all other broken lines are directed to environment and are for illustrative purposes only; the broken lines form no part of the claimed design. It is to be understood that, in the case of dot-dash boundary lines, the claimed design extends to but does not include the defined boundary.

1 Claim, 4 Drawing Sheets



(56)

References Cited

U.S. PATENT DOCUMENTS

D790,452 S *	6/2017	Kojima	D13/102
D795,800 S *	8/2017	Derkacs	D13/102
D806,011 S *	12/2017	Chang	D13/102
D807,285 S *	1/2018	Krantz	D13/102
D810,009 S *	2/2018	Anderson	D13/102
D810,676 S *	2/2018	Detrick	D13/102
D812,553 S *	3/2018	Anderson	D13/102
D812,554 S *	3/2018	Gibson	D13/102
D813,802 S *	3/2018	Krantz	D13/102

* cited by examiner

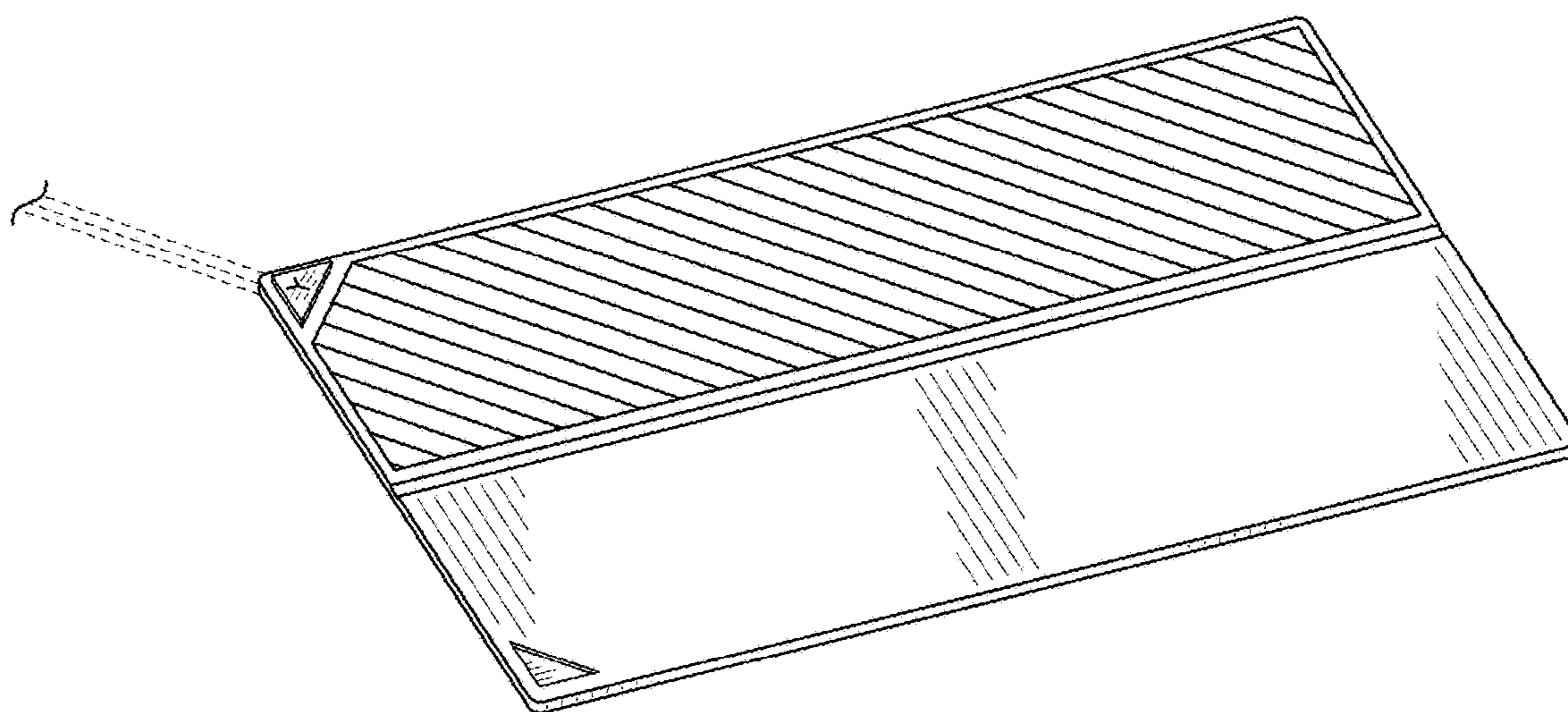


FIG. 1

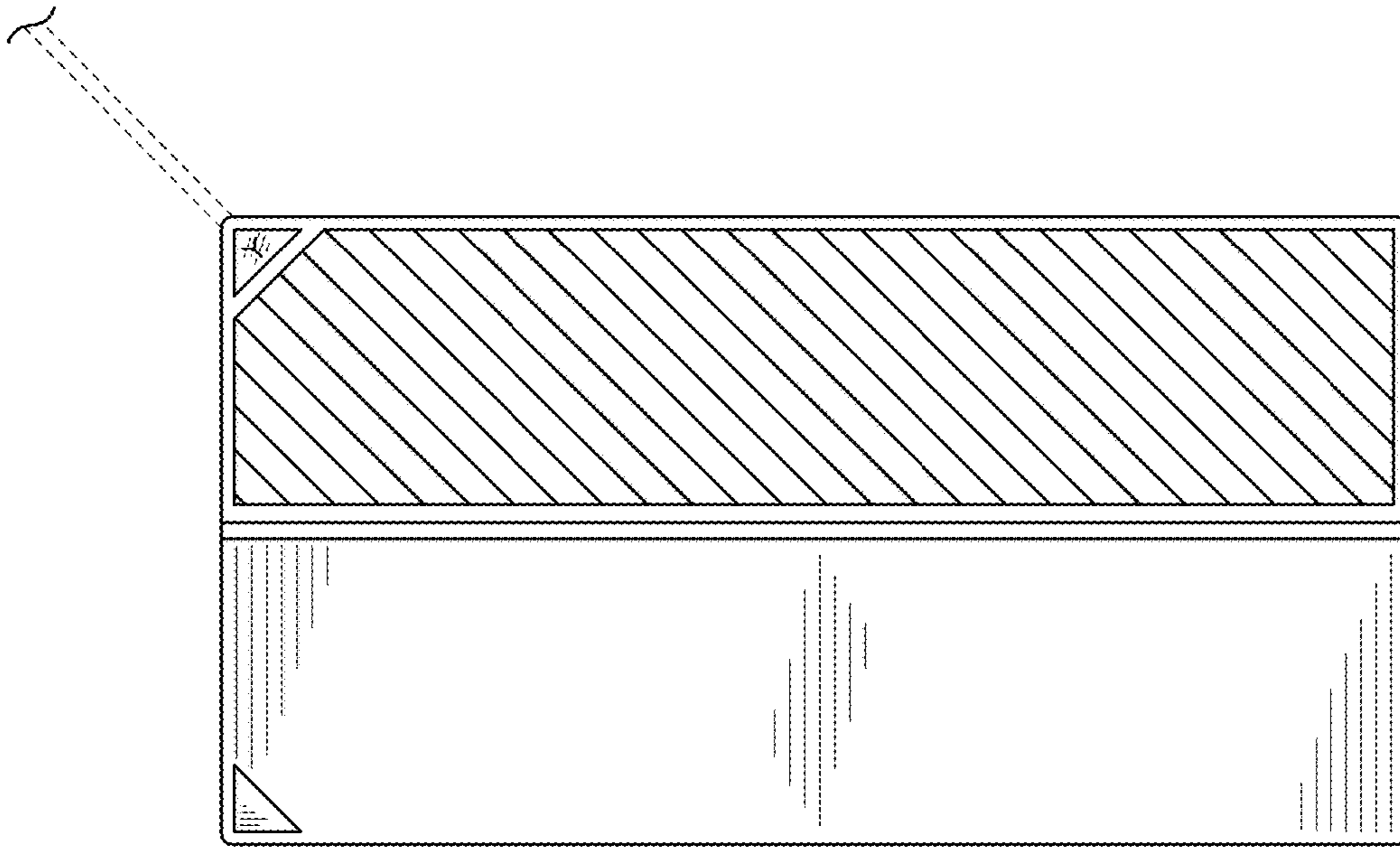


FIG. 2

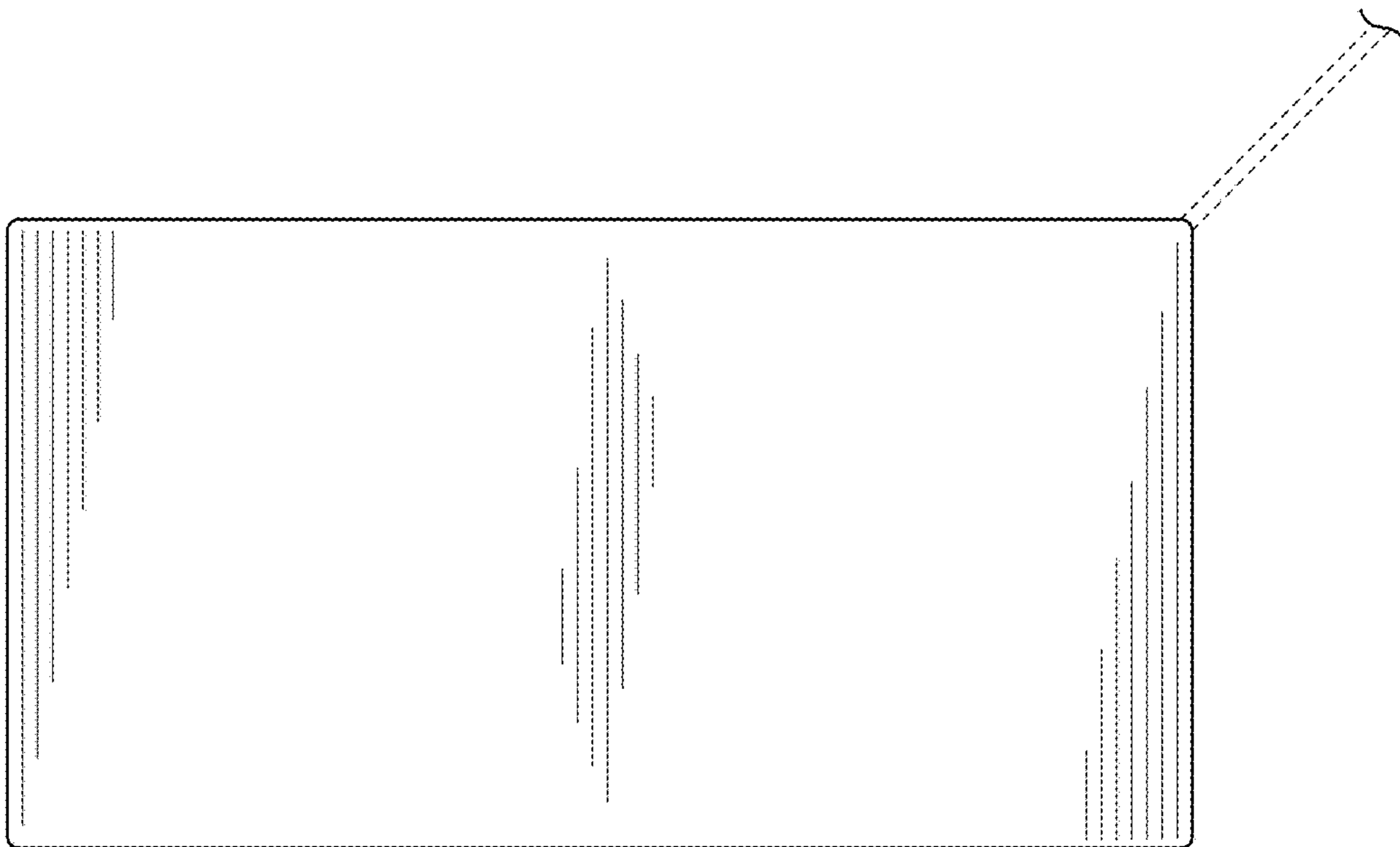


FIG. 3



FIG. 4

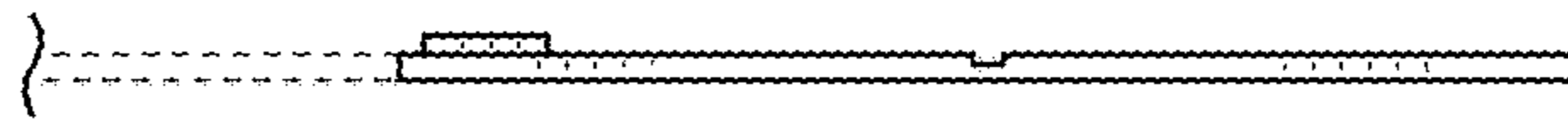


FIG. 5

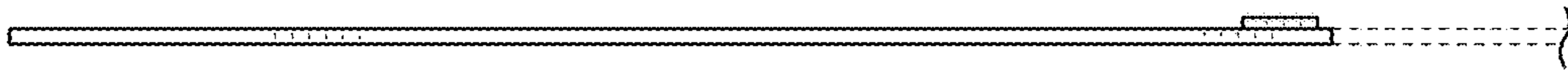


FIG. 6

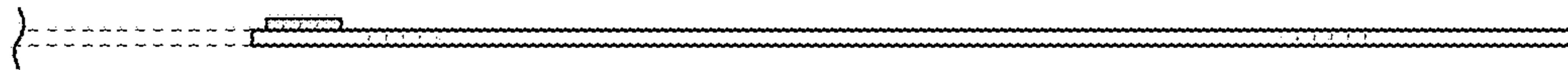


FIG. 7

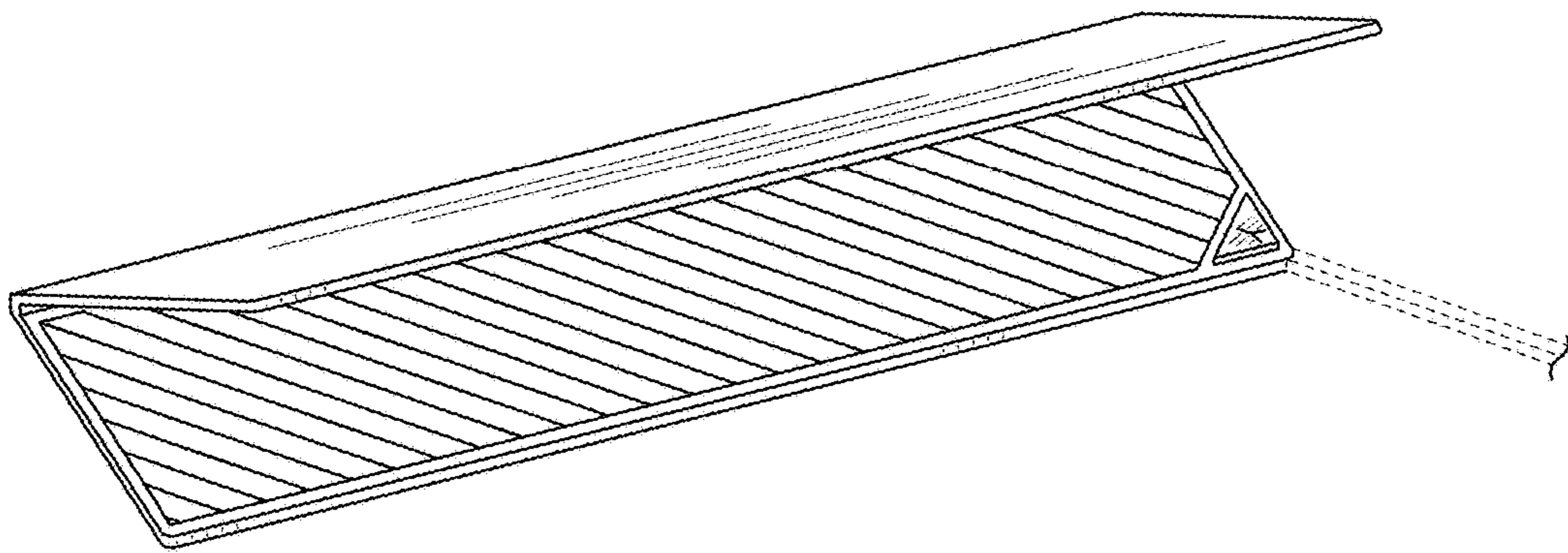


FIG. 8

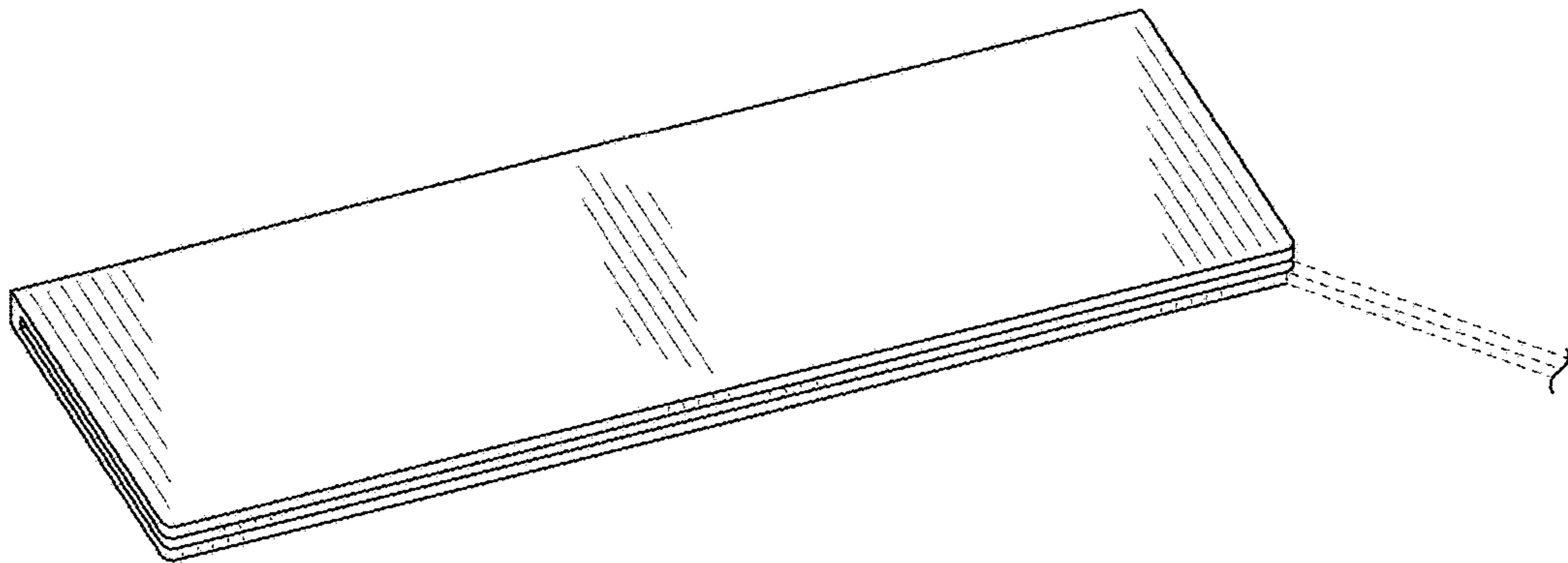


FIG. 9