

US00D837144S

(12) **United States Design Patent**
Nam et al.

(10) **Patent No.:** **US D837,144 S**
(45) **Date of Patent:** **** Jan. 1, 2019**

(54) **CHARGING HOLDER FOR VACUUM CLEANER**

5,344,331 A * 9/1994 Hoffman B60L 11/1818
439/138
5,686,811 A * 11/1997 Bushong H02J 7/0042
320/110
D642,521 S * 8/2011 Markowitz D13/108
D654,860 S * 2/2012 Holthusen D13/107
D659,090 S * 5/2012 deRoo D13/107
D694,179 S * 11/2013 Zeppetzaer D13/107
D709,828 S * 7/2014 Fiaschetti D13/108
D731,414 S * 6/2015 Chin-Ho Kim D13/107
D778,818 S * 2/2017 Bruining D13/107
D782,412 S * 3/2017 Kim D13/108
D790,456 S * 6/2017 Aiello D13/107

(71) Applicant: **LG ELECTRONICS INC.**, Seoul (KR)

(72) Inventors: **Bohyun Nam**, Seoul (KR); **Jinju Kim**, Seoul (KR); **Namhee Kim**, Seoul (KR); **Sehwan Bae**, Seoul (KR)

(73) Assignee: **LG ELECTRONICS INC.**, Seoul (KR)

(Continued)

(**) Term: **15 Years**

Primary Examiner — Rhea Shields

(21) Appl. No.: **35/502,616**

(74) *Attorney, Agent, or Firm* — Birch, Stewart, Kolasch & Birch, LLP

(22) Filed: **Sep. 12, 2016**

(80) **Hague Agreement Data**

Int. Filing Date: **Sep. 12, 2016**
Int. Reg. No.: **DM/092677**
Int. Reg. Date: **Sep. 12, 2016**
Int. Reg. Pub. Date: **Mar. 17, 2017**

(57) **CLAIM**

The ornamental design for a charging holder for vacuum cleaner, as shown and described.

(30) **Foreign Application Priority Data**

Apr. 1, 2016 (KR) 30-2016-0015440

(51) **LOC (11) Cl.** **13-02**

(52) **U.S. Cl.**
USPC **D13/107**

(58) **Field of Classification Search**
USPC D13/107, 108-110, 102; 439/138;
320/110
CPC H02J 7/0013; H02J 7/0042; A47L 5/42;
B60L 11/1818
See application file for complete search history.

DESCRIPTION

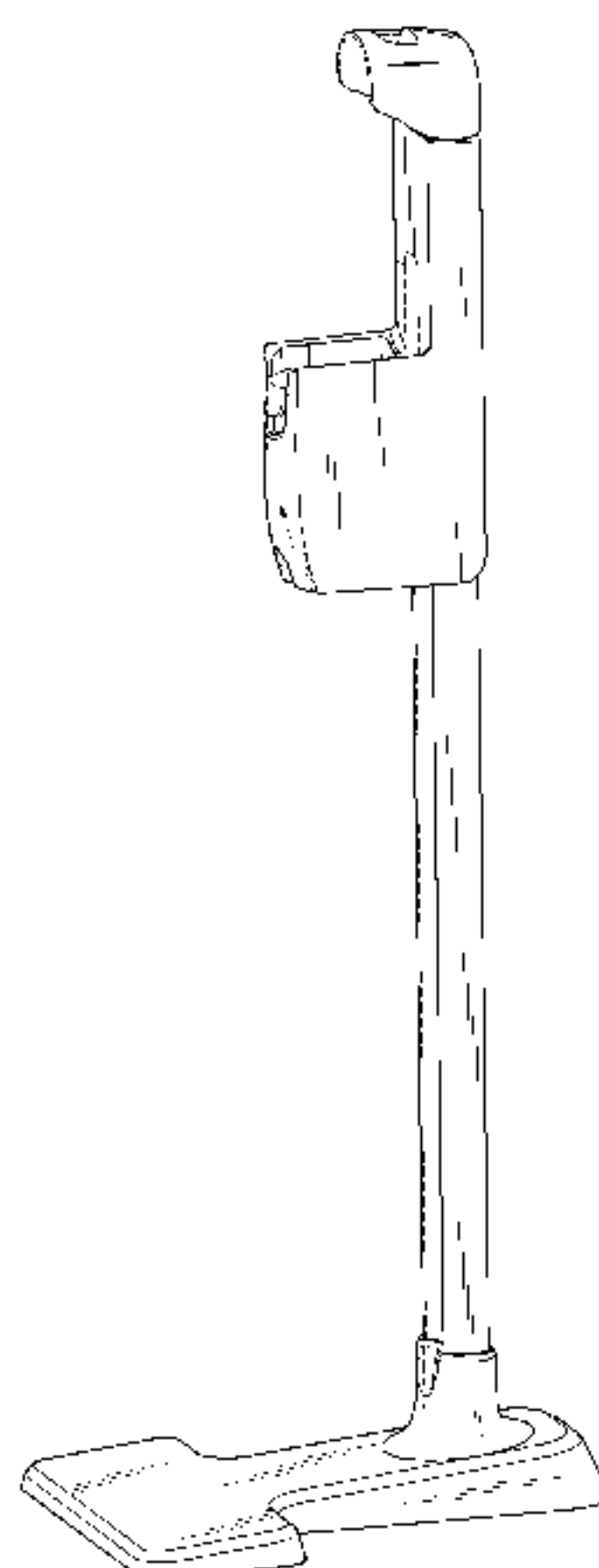
1. Charging holder for vacuum cleaner
1.1 is a side perspective view;
1.2 is a front view;
1.3 is a rear view;
1.4 is a side view;
1.5 is a side view;
1.6 is a top view;
1.7 is a bottom view; and
1.8 is another perspective view shown in an environment.
The broken line showing in figures 1.1-1.6 is included for the purpose of illustrating portions of the charging holder for vacuum cleaner and forms no part of the claimed design. The broken line showing in figure 1.8 is included for the purpose of illustrating portions of the charging holder for vacuum cleaner and environment and forms no part of the claimed design.

(56) **References Cited**

U.S. PATENT DOCUMENTS

4,591,777 A * 5/1986 McCarty H02J 7/0013
15/DIG. 1
4,670,701 A * 6/1987 Sako A47L 5/24
15/DIG. 1

1 Claim, 7 Drawing Sheets



(56)

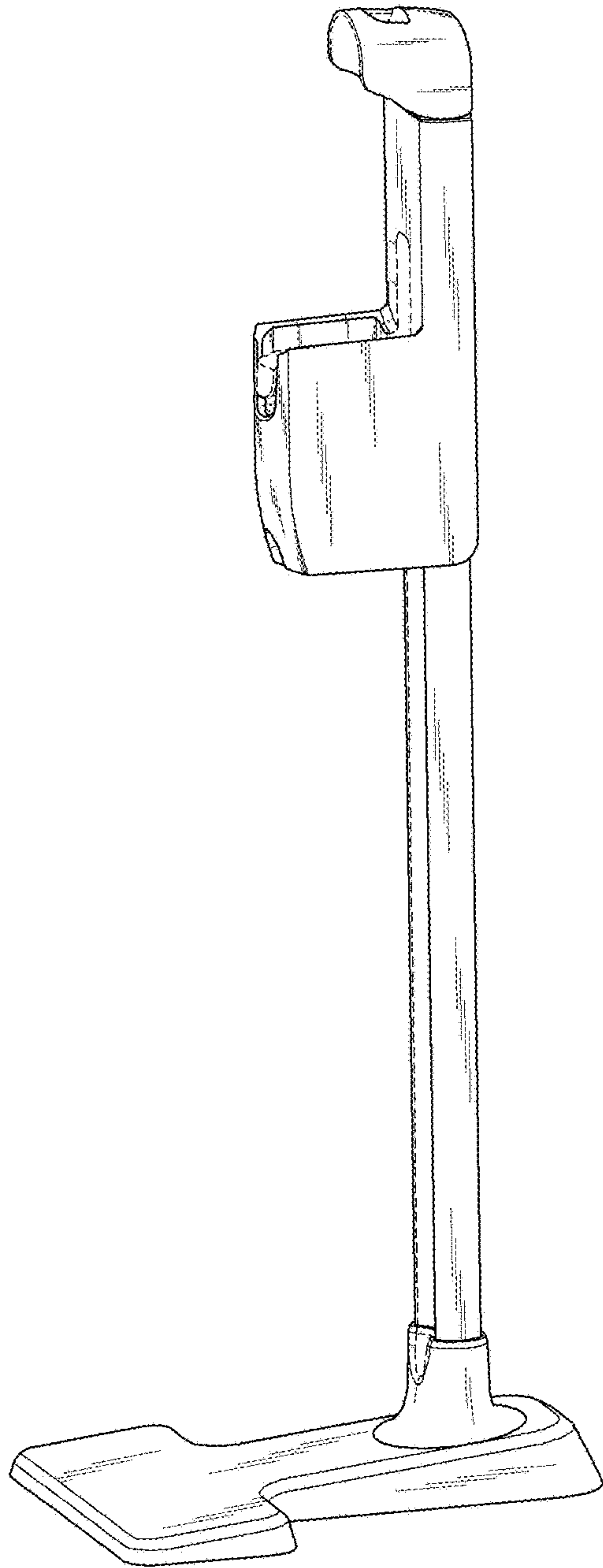
References Cited

U.S. PATENT DOCUMENTS

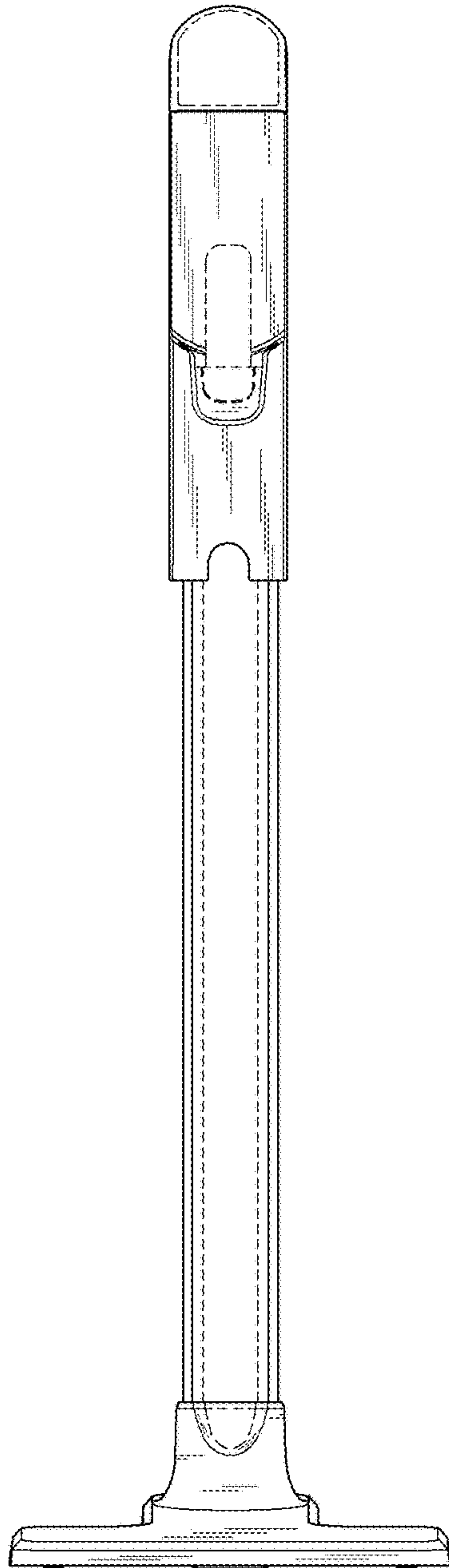
D790,457 S *	6/2017	Vargas	D13/108
D794,558 S *	8/2017	Zhou	D13/108
D795,189 S *	8/2017	Skurdal	D13/108
D797,658 S *	9/2017	Feller	D13/102
D806,022 S *	12/2017	Waring	D13/107
D806,024 S *	12/2017	Swen	D13/108

* cited by examiner

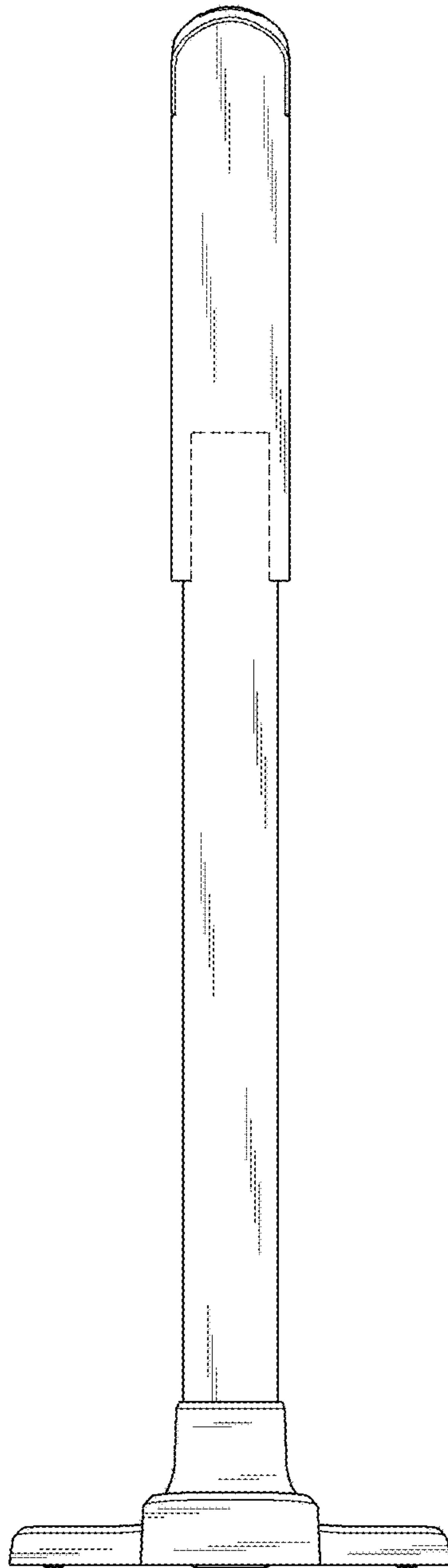
1.1



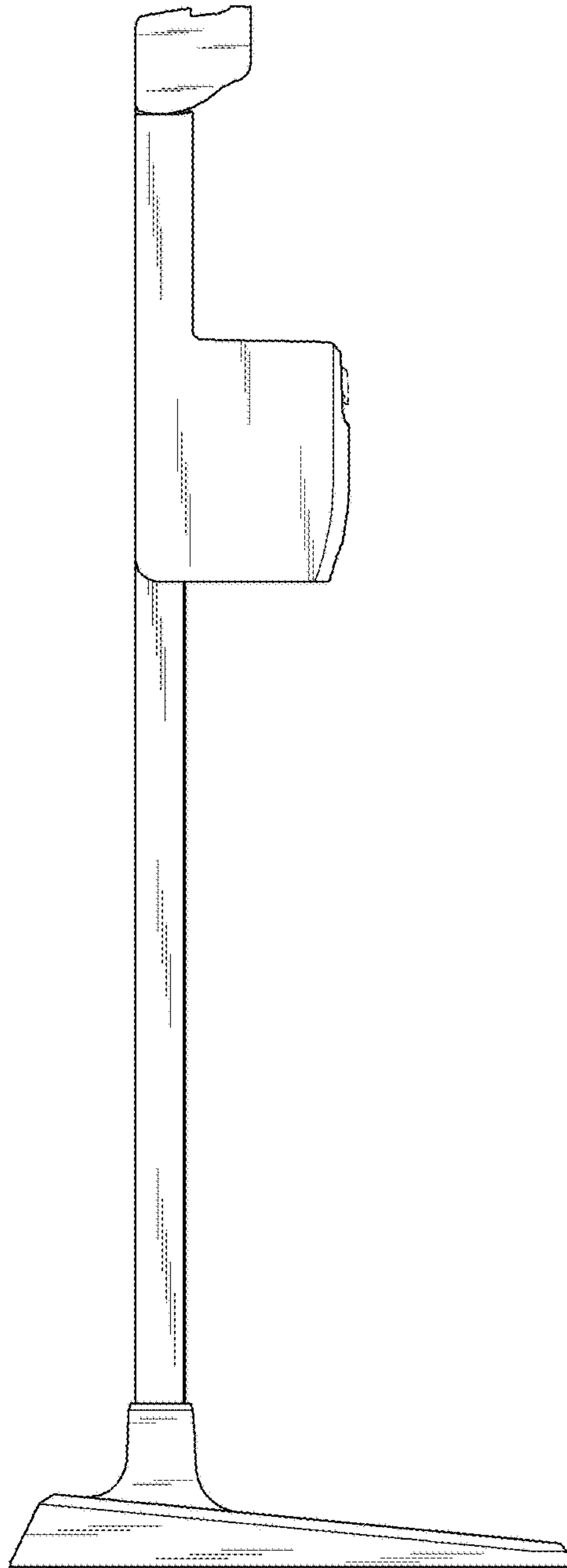
1.2



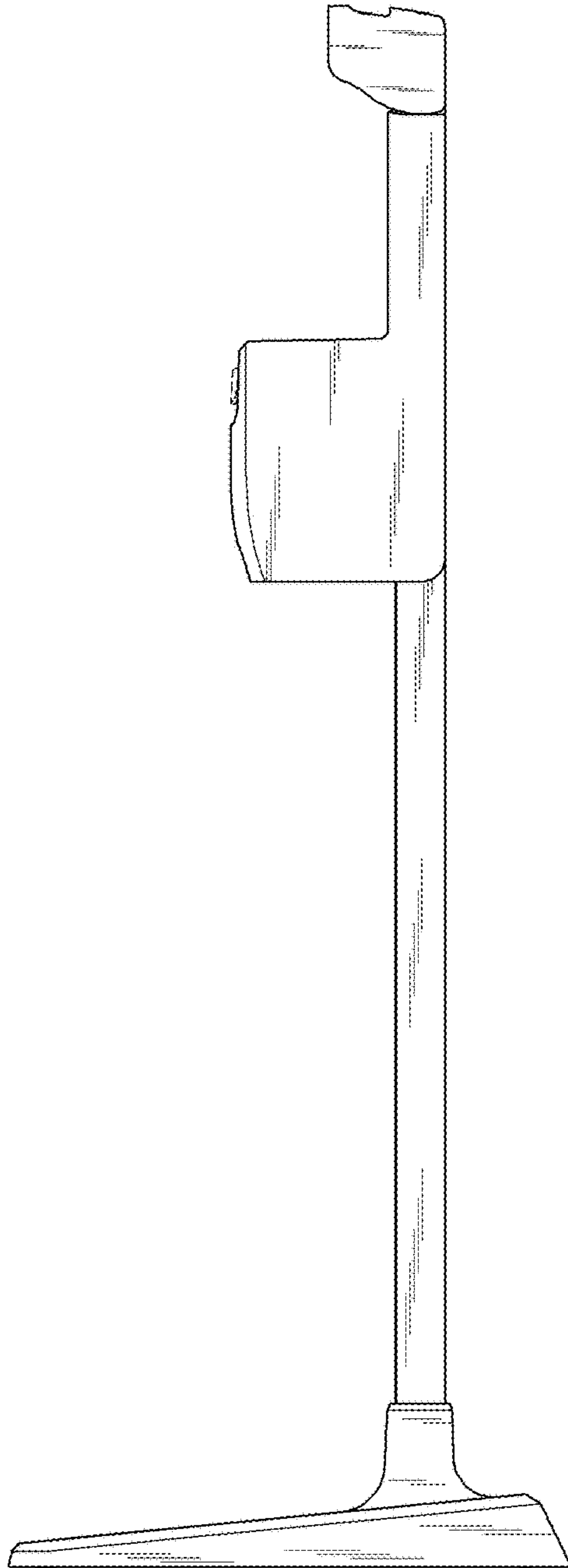
1.3



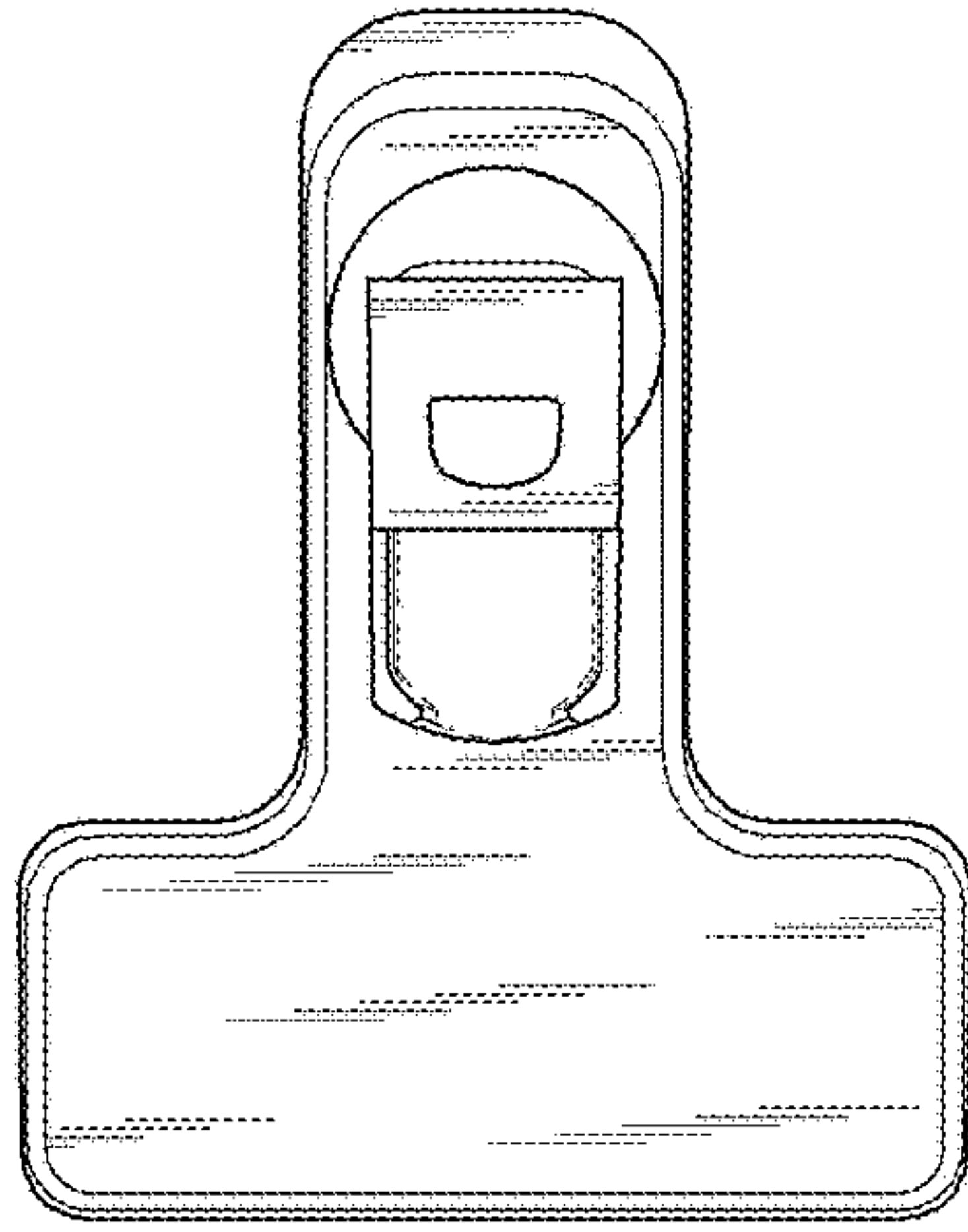
1.4



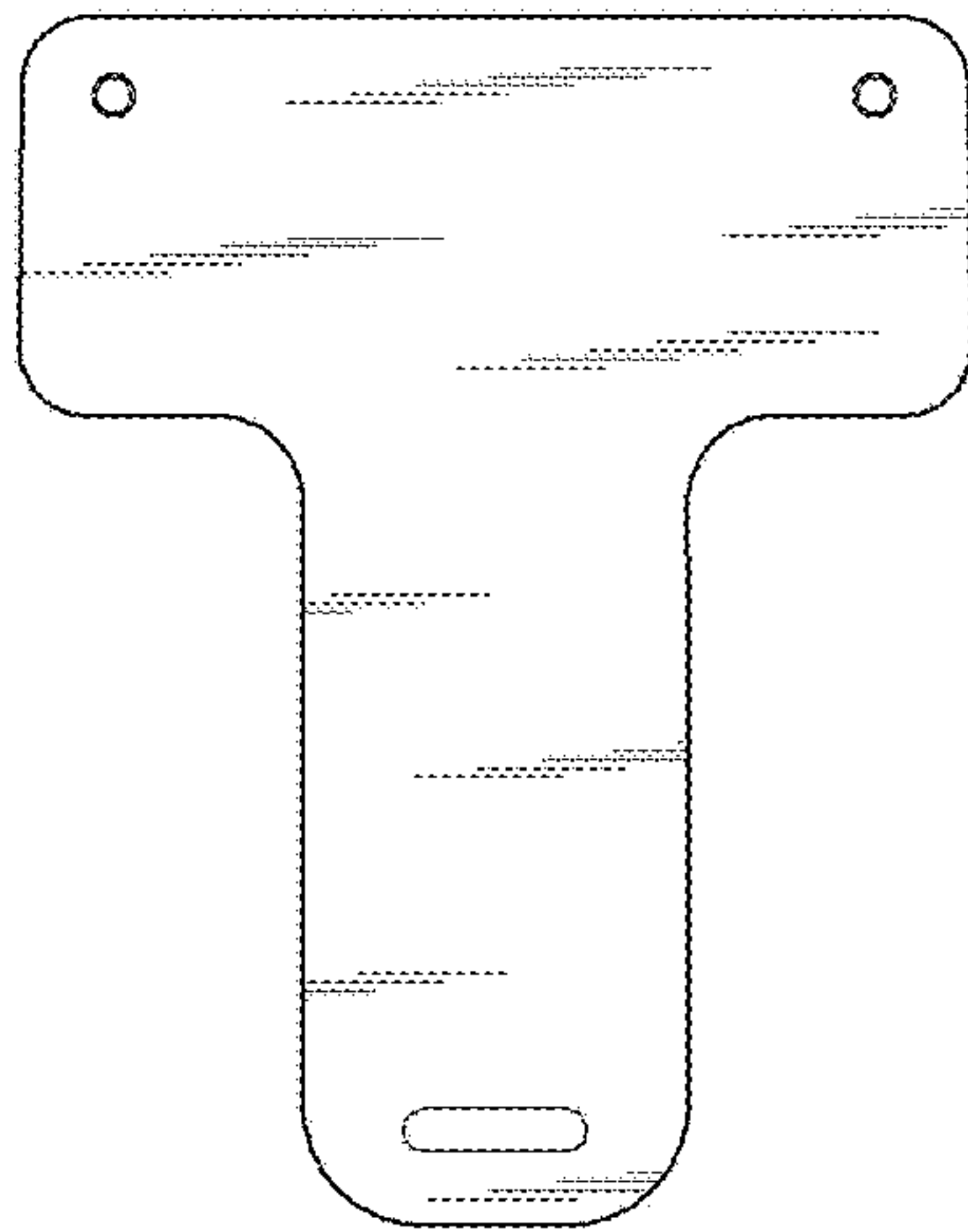
1.5



1.6



1.7



1.8

