



US00D837131S

(12) **United States Design Patent**
Robillard

(10) **Patent No.:** **US D837,131 S**

(45) **Date of Patent:** **** *Jan. 1, 2019**

(54) **MOBILE DEVICE VEHICLE DASHBOARD SHELF**

(71) Applicant: **Thomas Robillard**, Waunakee, WI (US)

(72) Inventor: **Thomas Robillard**, Waunakee, WI (US)

(73) Assignee: **Vehroot, LLC**, Waunakee, WI (US)

(*) Notice: This patent is subject to a terminal disclaimer.

(**) Term: **15 Years**

(21) Appl. No.: **29/547,932**

(22) Filed: **Dec. 9, 2015**

(51) **LOC (11) Cl.** **12-16**

(52) **U.S. Cl.**
USPC **D12/415**

(58) **Field of Classification Search**
USPC D12/415, 223, 16, 1, 87, 114, 604, 406, D12/192, 195, 400; D8/19, 71, 349, 354, D8/373, 380, 382; D14/251, 253, 256
CPC .. B60R 7/00; B60R 7/04; B60R 7/046; B60R 7/08; B60R 11/00; B60R 2011/0042; B60R 2011/005; B60R 2011/0059; B60R 2011/0071; B60R 2011/00756; B60R 2011/008; B60R 2011/0084
See application file for complete search history.

(56) **References Cited**

U.S. PATENT DOCUMENTS

D590,404 S * 4/2009 Kim D14/447
7,900,988 B2 3/2011 Ryu
D688,235 S * 8/2013 Song D14/253
D715,284 S * 10/2014 Iwamoto D12/415
8,892,172 B2 11/2014 Grivas et al.
9,150,105 B2 10/2015 Crepaldi et al.
9,251,627 B2 2/2016 Carl

D765,648 S * 9/2016 Starkenburg D12/415
9,446,720 B1 9/2016 Prazeres et al.
D771,545 S * 11/2016 Kasparian D12/415
9,521,224 B2 12/2016 An et al.
D810,655 S * 2/2018 Dabel D12/415
2007/0015537 A1 1/2007 Debiasio et al.
2014/0128049 A1 5/2014 Aoki et al.
2015/0172432 A1 6/2015 An
2016/0173667 A1 6/2016 Torres Gutierrez et al.

(Continued)

OTHER PUBLICATIONS

“Mobile Home adds a Siri button to any car,” internet printout, <https://www.engadget.com/2014/08/02/mobile-home-adds-a-siri-button-to-any-car/>, printed Aug. 21, 2017, 13 pgs.

(Continued)

Primary Examiner — Abraham Bahta

(74) *Attorney, Agent, or Firm* — Boardman & Clark LLP

(57) **CLAIM**

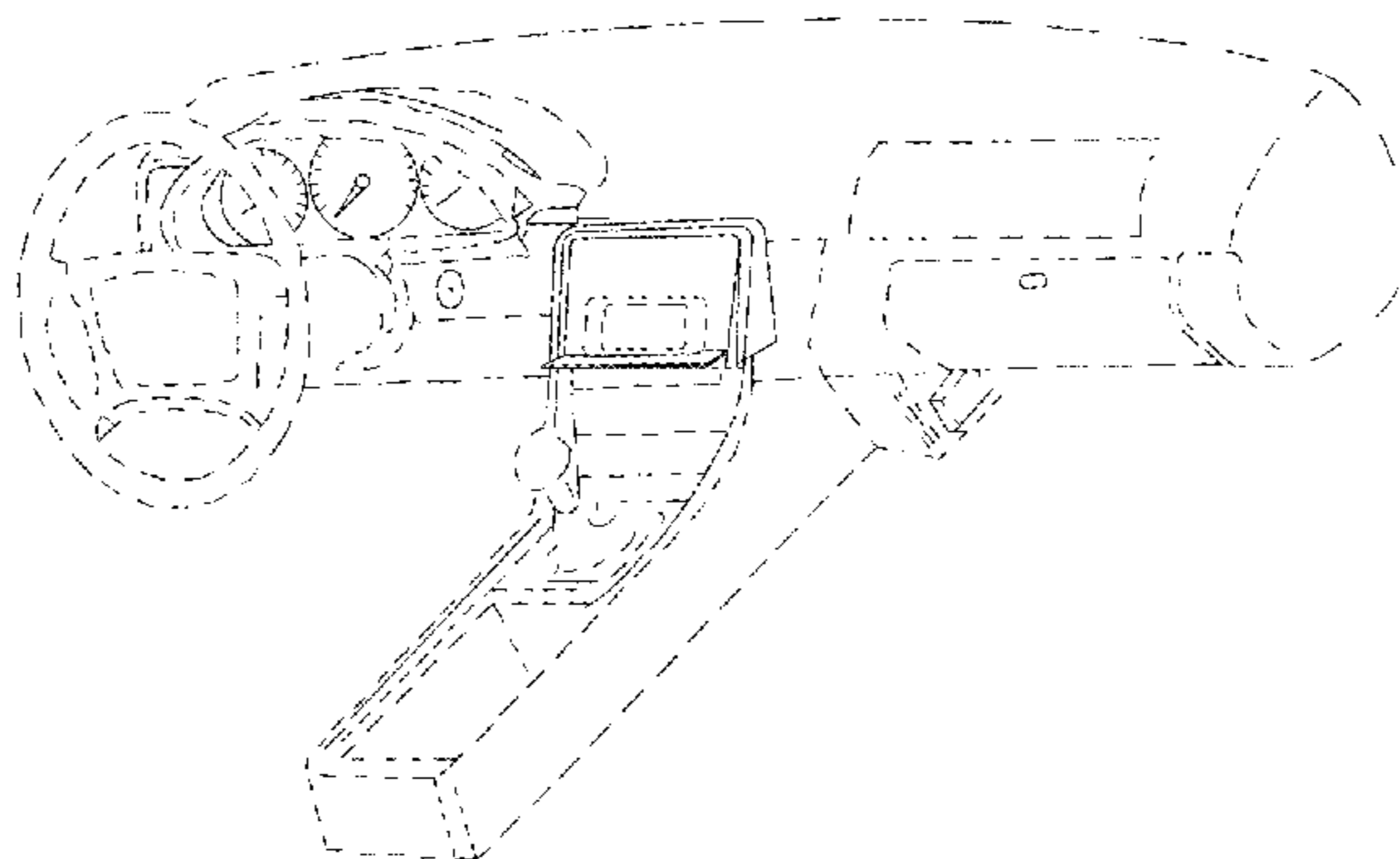
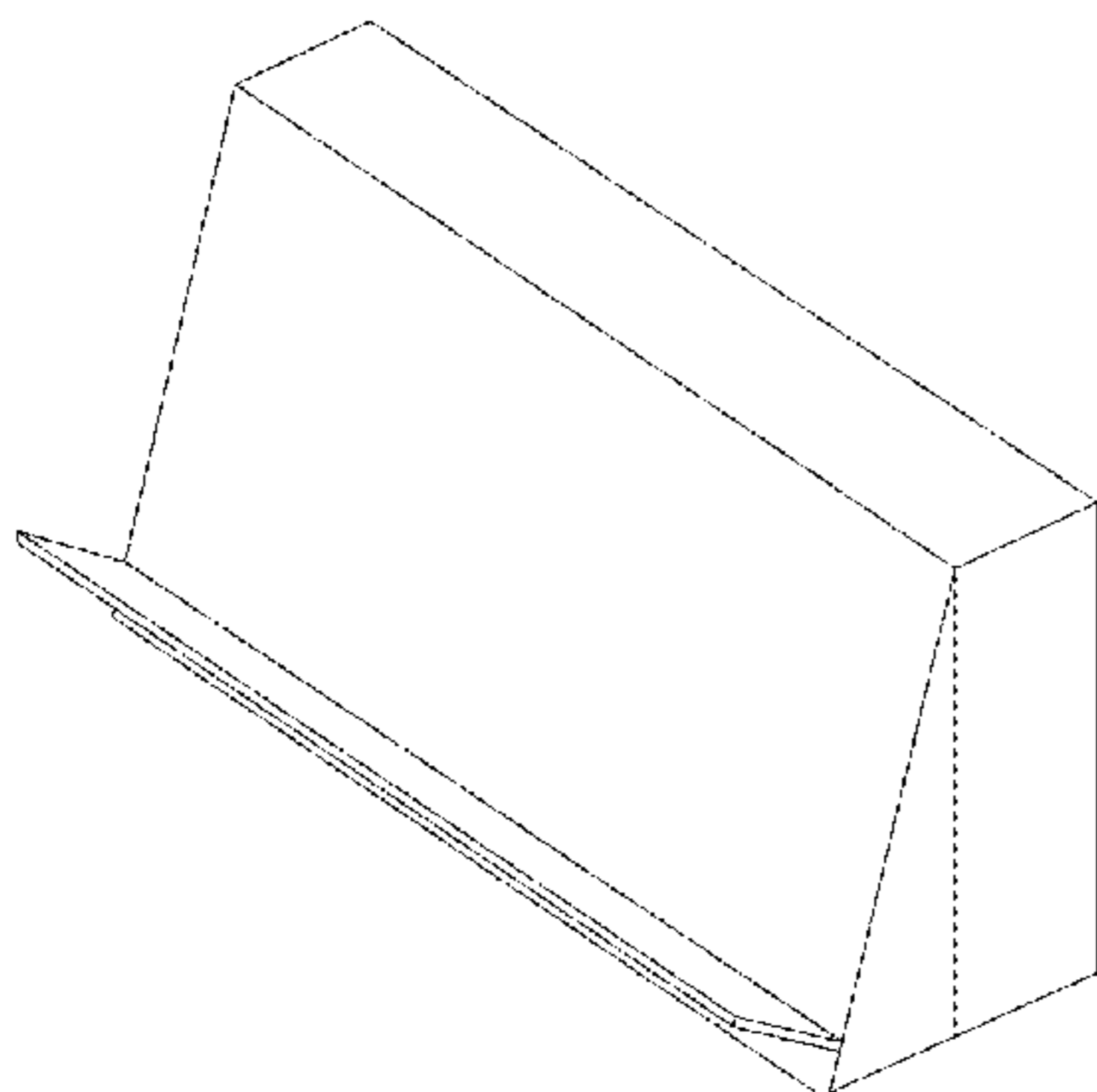
The ornamental design for a mobile device vehicle dashboard shelf, as shown and described.

DESCRIPTION

FIG. 1 is a perspective view of the mobile device vehicle dashboard shelf;
FIG. 2 is a front view thereof;
FIG. 3 is a rear view thereof;
FIG. 4 is a left side elevational view thereof;
FIG. 5 is a right side elevational view thereof;
FIG. 6 is a top view thereof;
FIG. 7 is a bottom view thereof; and,
FIG. 8 is a reference perspective view of the mobile device vehicle dashboard shelf installed on a vehicle dashboard and shown holding a smartphone.

The broken line showing the inside of a vehicle dashboard and smartphone is for illustrative purposes only and forms no part of the claimed design.

1 Claim, 8 Drawing Sheets



(56)

References Cited

U.S. PATENT DOCUMENTS

2018/0004250 A1 1/2018 Barnett et al.

OTHER PUBLICATIONS

“Mobile Electronics Pro-Series, MobileDock Dash Mount,” Mobile Electronic Dash Mounting Hardware, product literature for Model No. IPM-228-BL, 2 pgs.

Sonic Electronix, printout of Sony XSP-N 1BT, Smartphone Cradle Bluetooth Car Stereo Cell Phone in Dash Radio CD, 4 pgs.

Wireless Power Consortium, www.wirelesspowerconsortium.com/blog, Qi Wireless Charging and Cardiovascular Electronic Devices, 8 pgs.

www.amazon.com/TYLT-Wireless-Phone-Charging-Pad/dp/B00DG8NVQI/, TYLT VUQi Wireless Phone Charging Pad: 3 Coil Stand & Fast Battery Charger Station for compqatible iPhone Galaxy Note Lumia Droid DNA LG Google & Android Cell Phones, item on Amazon, printed Feb. 7, 2018, 9 pgs.

www.ebay.com/itm/Bracketron-IPM-228-BL-MobileDock-Dash-Mount-Brand-New, Bracketron IPM-228-BL MobileDock Dash Mount (Brand New), item on eBay, printed Feb. 7, 2018, 6 pgs.

www.sony.com/en-sa/electronics/in-car-receivers-players/xsp-n1bt, In-Car Bluetooth Audio Receiver & Smartphone Cradle, XSP-N1BT, Sony SA, printed May 31, 2017, 14 pgs.

www.tylt.com/vu-wireless-charger, TYLT Vu Wireless Charger, Qi Charging Station & Iphone 8, 8 Plus & X Pad, printed Feb. 8, 2018, 4 pgs.

Goodwin, Antuan, “What should you look for when choosing a car stereo?”, dated Jan. 24, 2014, <https://www.cnet.com/roadshow/news/what-should-you-look-for-when-choosing-a-car-stereo/>.

* cited by examiner

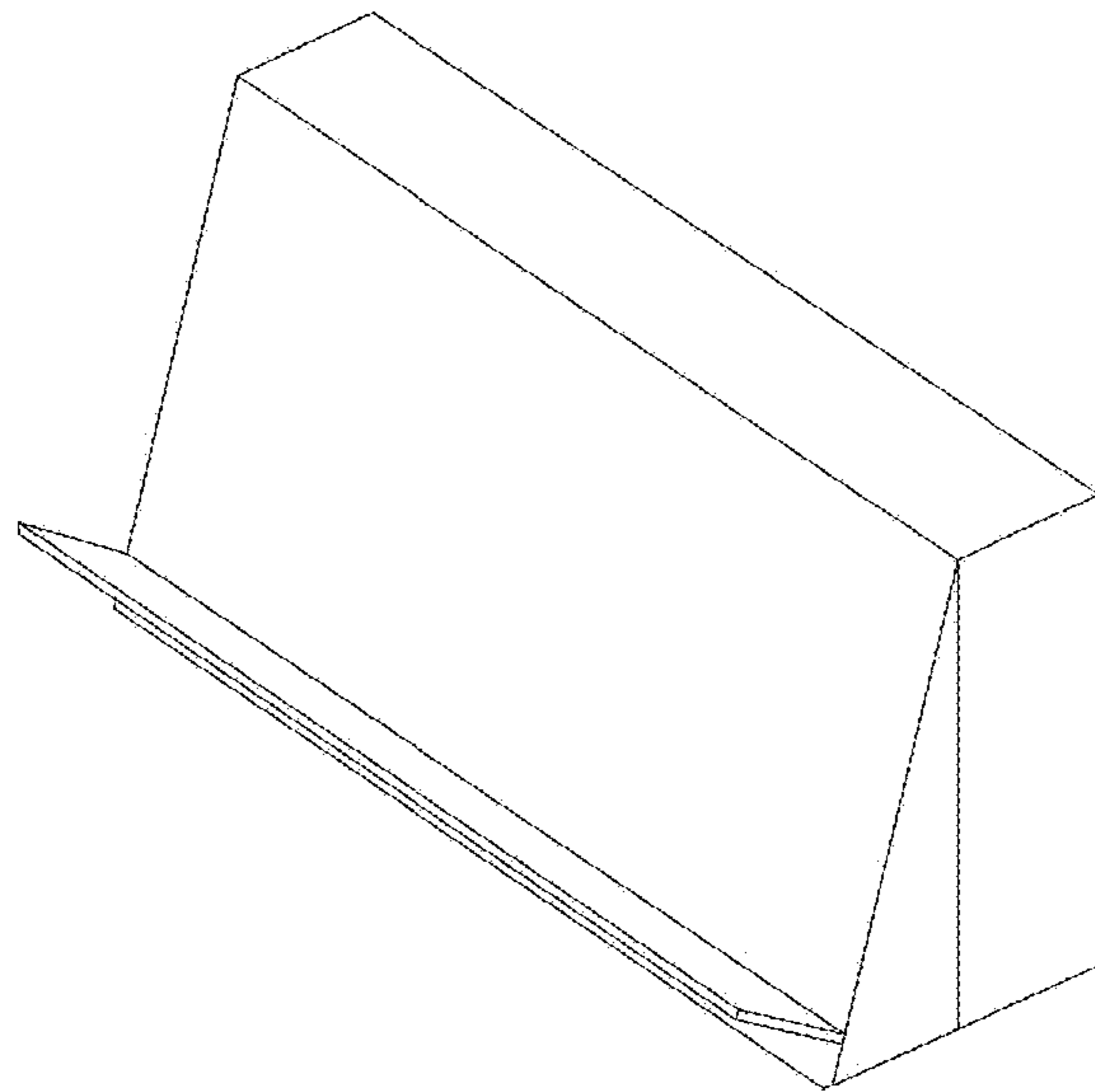


FIGURE 1

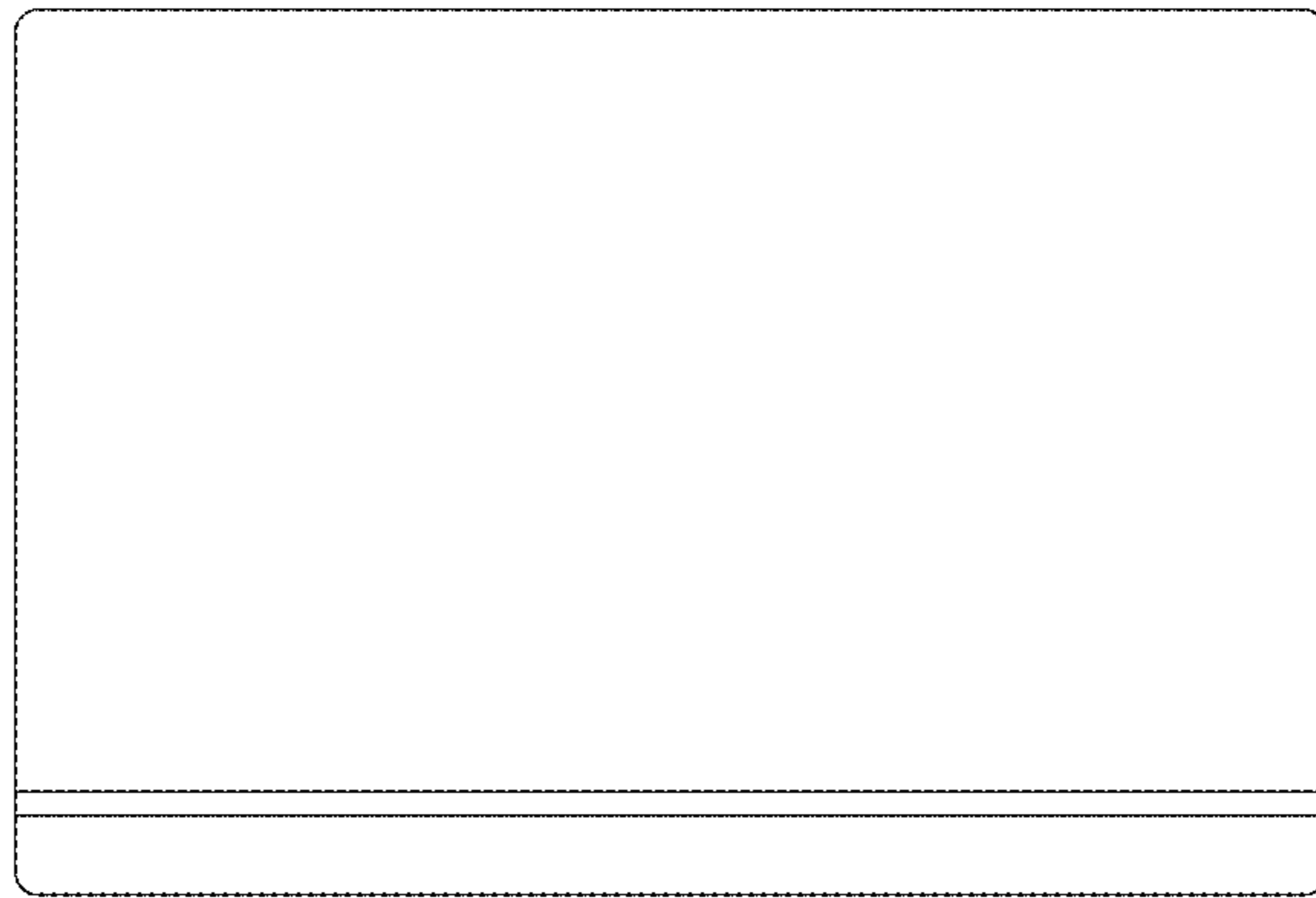


FIGURE 2



FIGURE 3

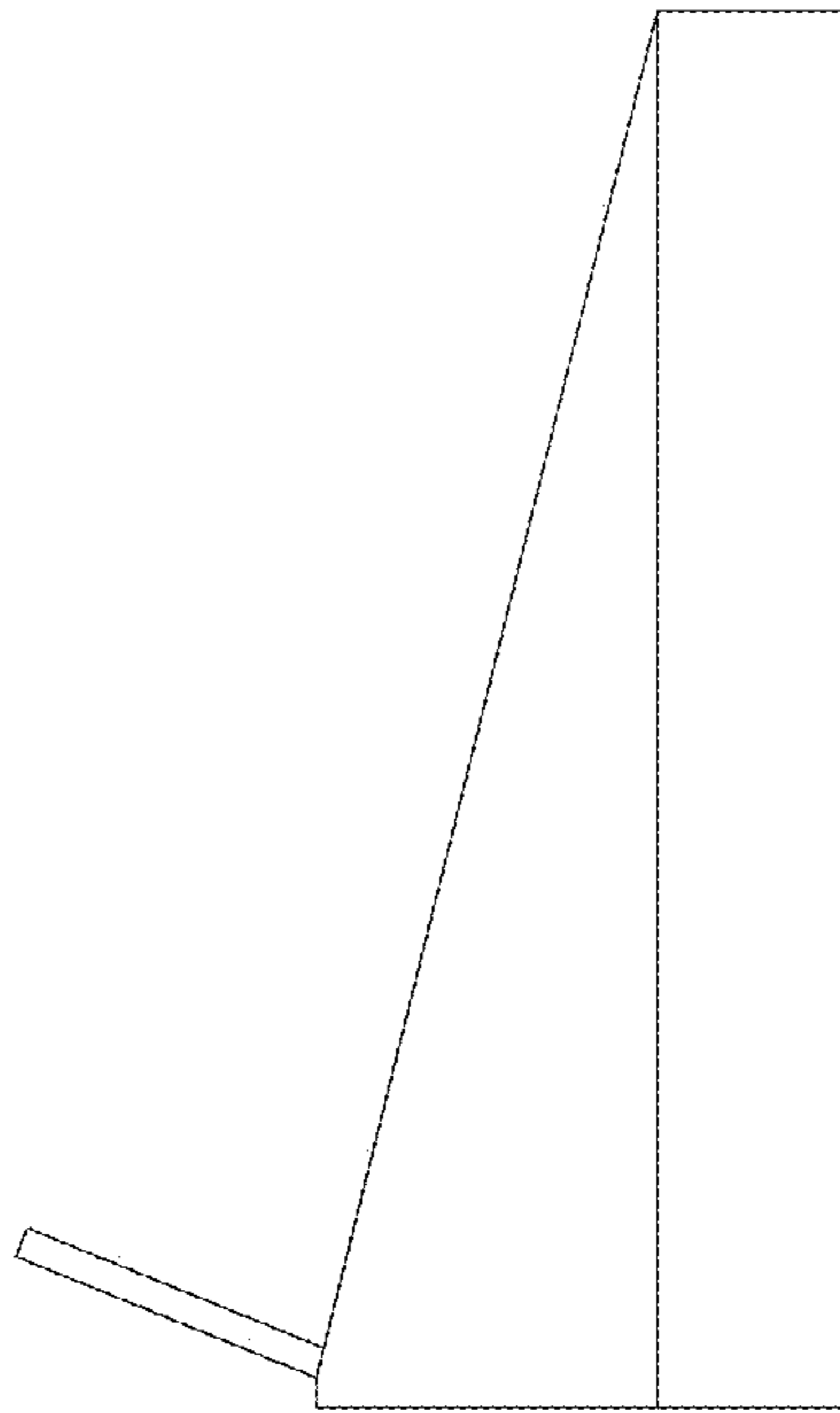


FIGURE 4

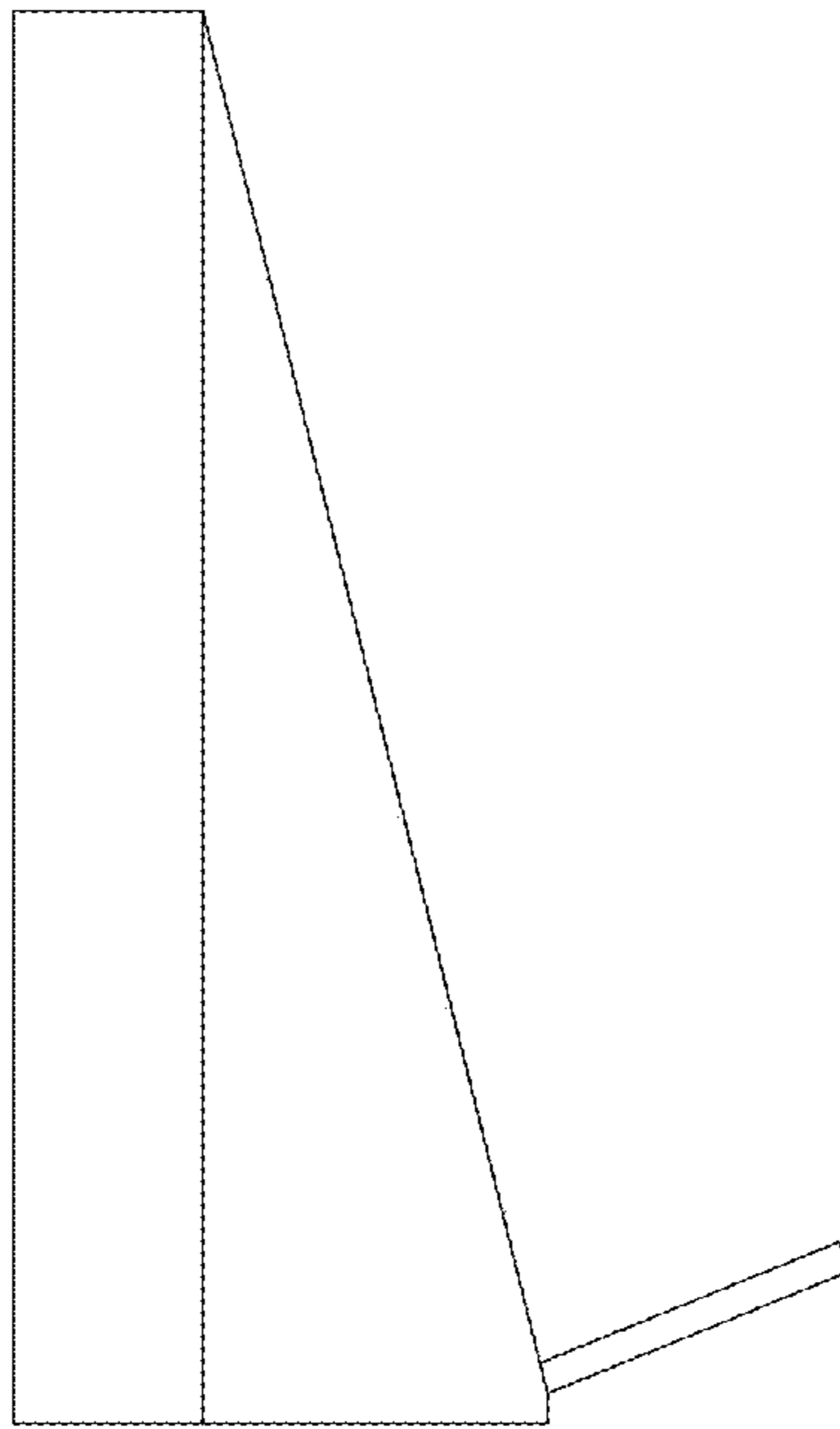


FIGURE 5

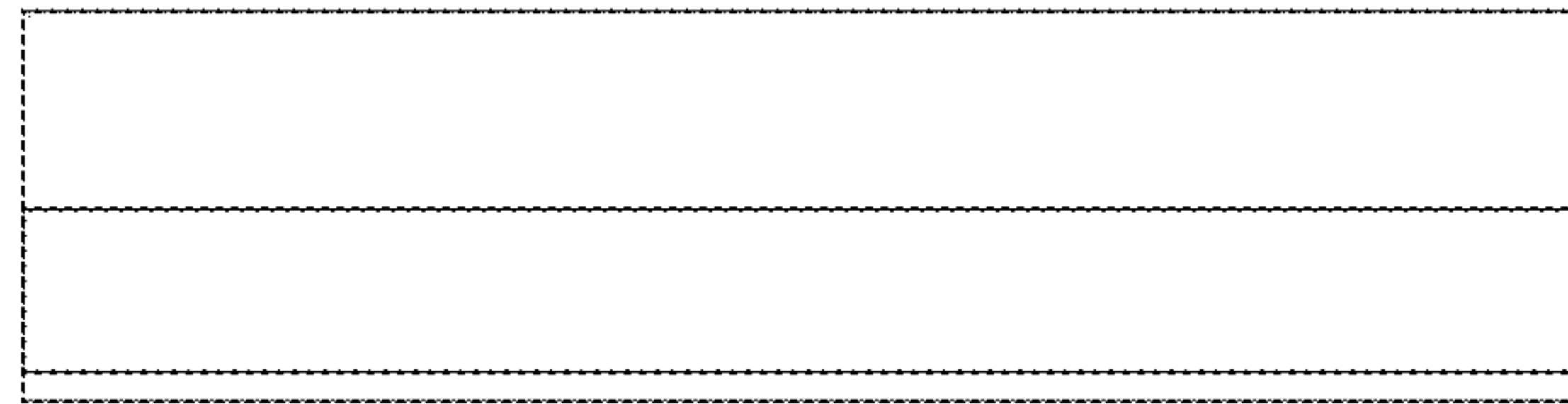


FIGURE 6



FIGURE 7

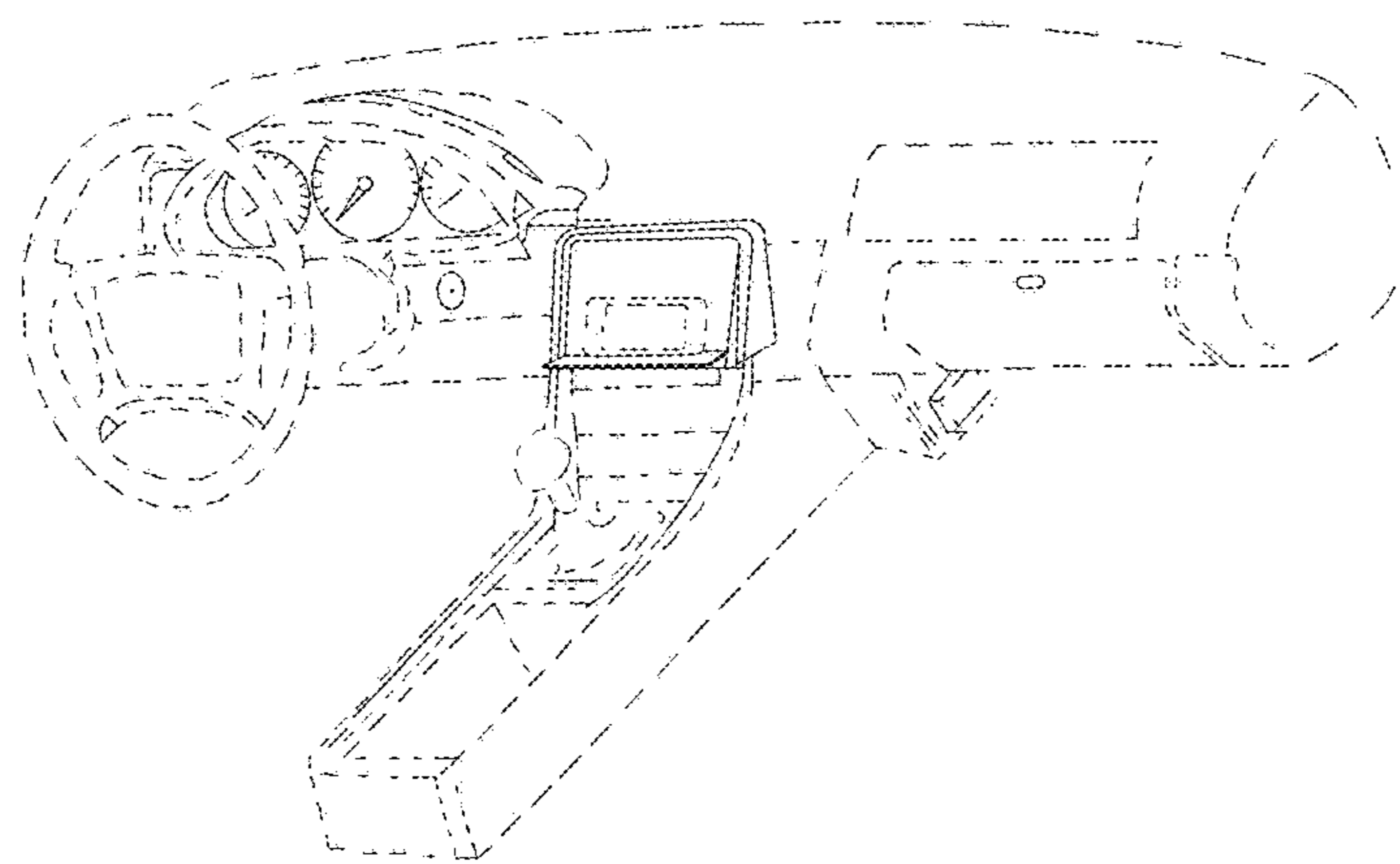


FIGURE 8