



US00D837129S

(12) **United States Design Patent**
Martins et al.

(10) **Patent No.:** **US D837,129 S**
(45) **Date of Patent:** **** Jan. 1, 2019**

- (54) **AWNING FOR THE SIDE OF A VEHICLE**
- (71) Applicant: **CAPAVENTURE—EQUIPAMENTOS PARA LAZER E TEMPOS LIVRES, LDA.,** Castelo de Paiva (PT)
- (72) Inventors: **Mário José Oliveira Martins,** Castelo de Paiva (PT); **Tony René Partenio,** Castelo de Paiva (PT)
- (73) Assignee: **CAPAVENTURE—EQUIPAMENTOS PARA LAZER E TEMPOS LIVRES, LDA.,** Castelo de Paiva (PT)
- (**) Term: **15 Years**
- (21) Appl. No.: **29/611,807**
- (22) Filed: **Jul. 26, 2017**
- (51) **LOC (11) Cl.** **12-16**
- (52) **U.S. Cl.**
USPC **D12/401**
- (58) **Field of Classification Search**
USPC D12/401–405; D6/610, 611, 596, 601, D6/602, 603, 615, 617, 621; D7/332, D7/334–337
CPC E04H 15/08
See application file for complete search history.

- D770,358 S * 11/2016 Fernandez D12/401
- D805,460 S * 12/2017 Printup, III D12/401
- 2015/0330087 A1* 11/2015 Taylor E04F 10/0625
160/69
- 2017/0101802 A1* 4/2017 Greentree B60P 3/36
- 2017/0138056 A1* 5/2017 Albertson E04F 10/0614
- 2017/0275885 A1* 9/2017 Thompson E04F 10/0614
- 2017/0284122 A1* 10/2017 Ma B60P 3/32
- 2018/0118086 A1* 5/2018 Stojkovic B60P 7/0807

* cited by examiner

Primary Examiner — Katrina A Betton
(74) *Attorney, Agent, or Firm* — John Alunit

(57) **CLAIM**

The ornamental design for an awning for the side of a vehicle, as shown and described.

DESCRIPTION

FIG. 1. is a perspective view of an awning for the side of a vehicle according to the present invention.

FIG. 2 is a perspective view of the awning for the side of a vehicle shown in the context of a vehicle according to the present invention.

FIG. 3 is a perspective view of the detachable tunnel forming a part of the awning for the side of a vehicle according to the present invention.

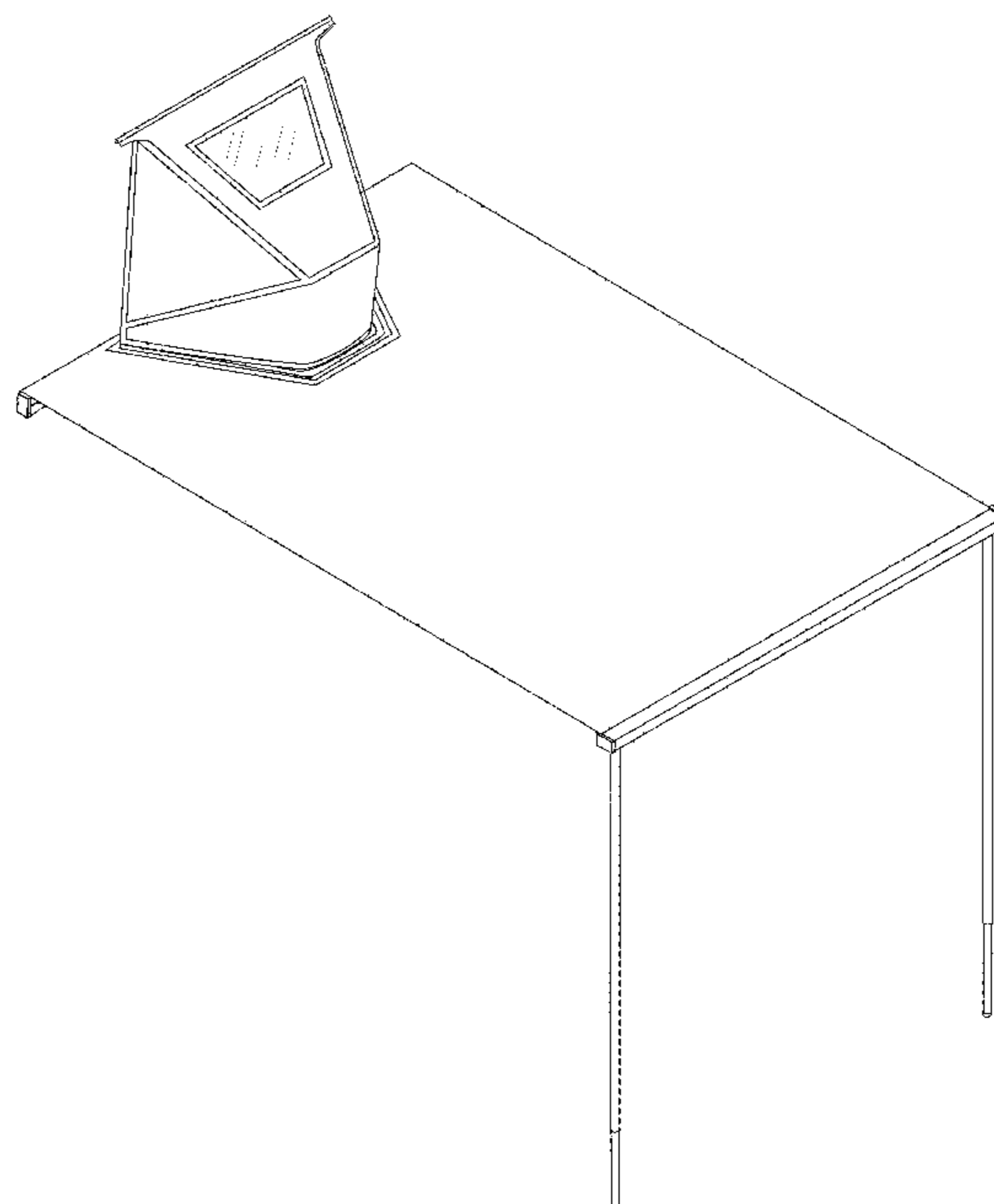
FIG. 4 is a perspective view of the awning for the side of a vehicle with the tunnel detached and the flap closed shown according to the present invention; and,

FIG. 5 is a perspective view of the awning for the side of a vehicle with the tunnel detached and the open according to the present invention.

The broken lines in the drawings show environmental structure that form no part of the design to be patented.

1 Claim, 5 Drawing Sheets

- (56) **References Cited**
U.S. PATENT DOCUMENTS
5,029,933 A * 7/1991 Gillem B60J 11/00
150/166
D574,764 S * 8/2008 Scheer D12/402
D679,771 S * 4/2013 Muggleton D12/401



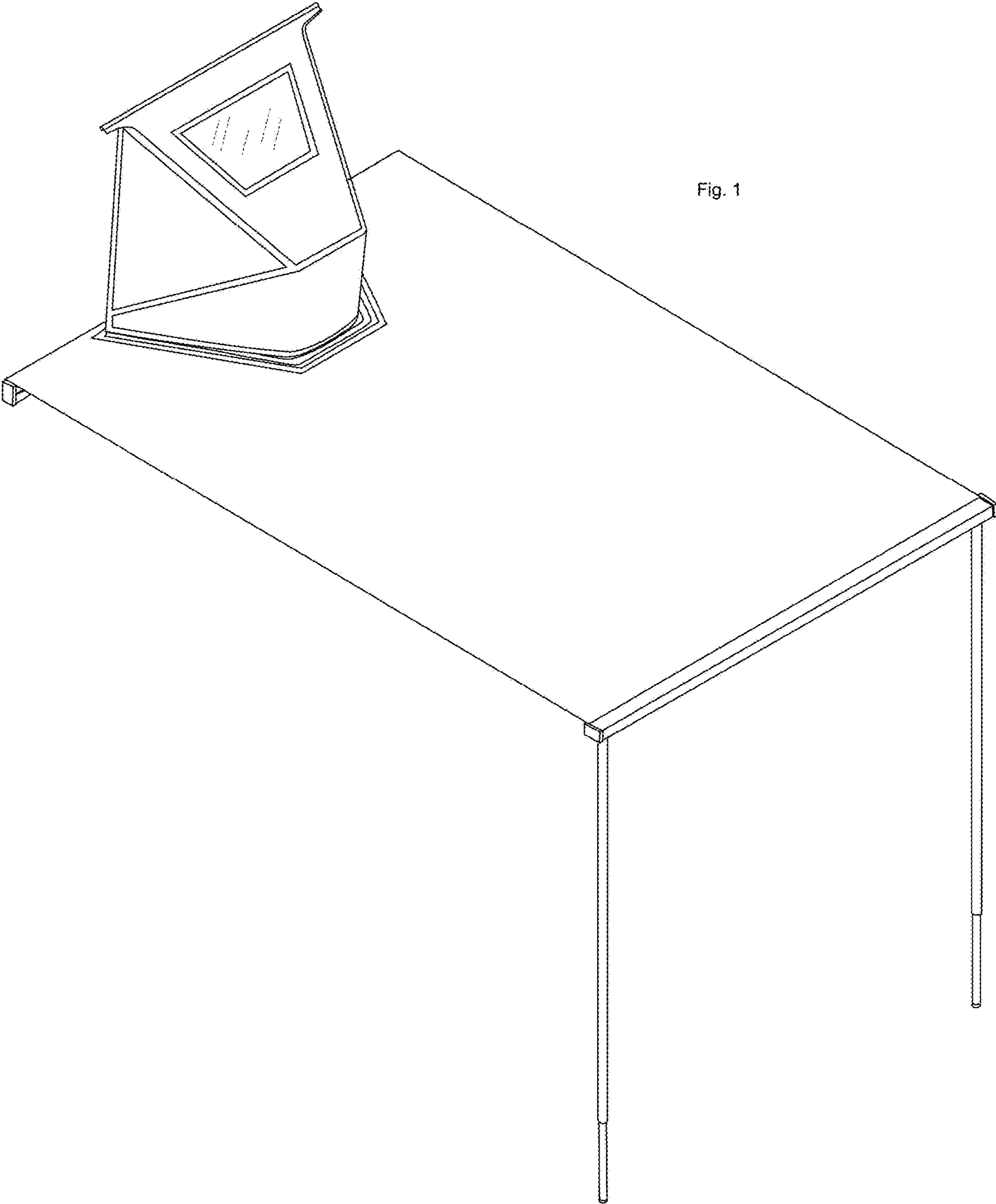


Fig. 1

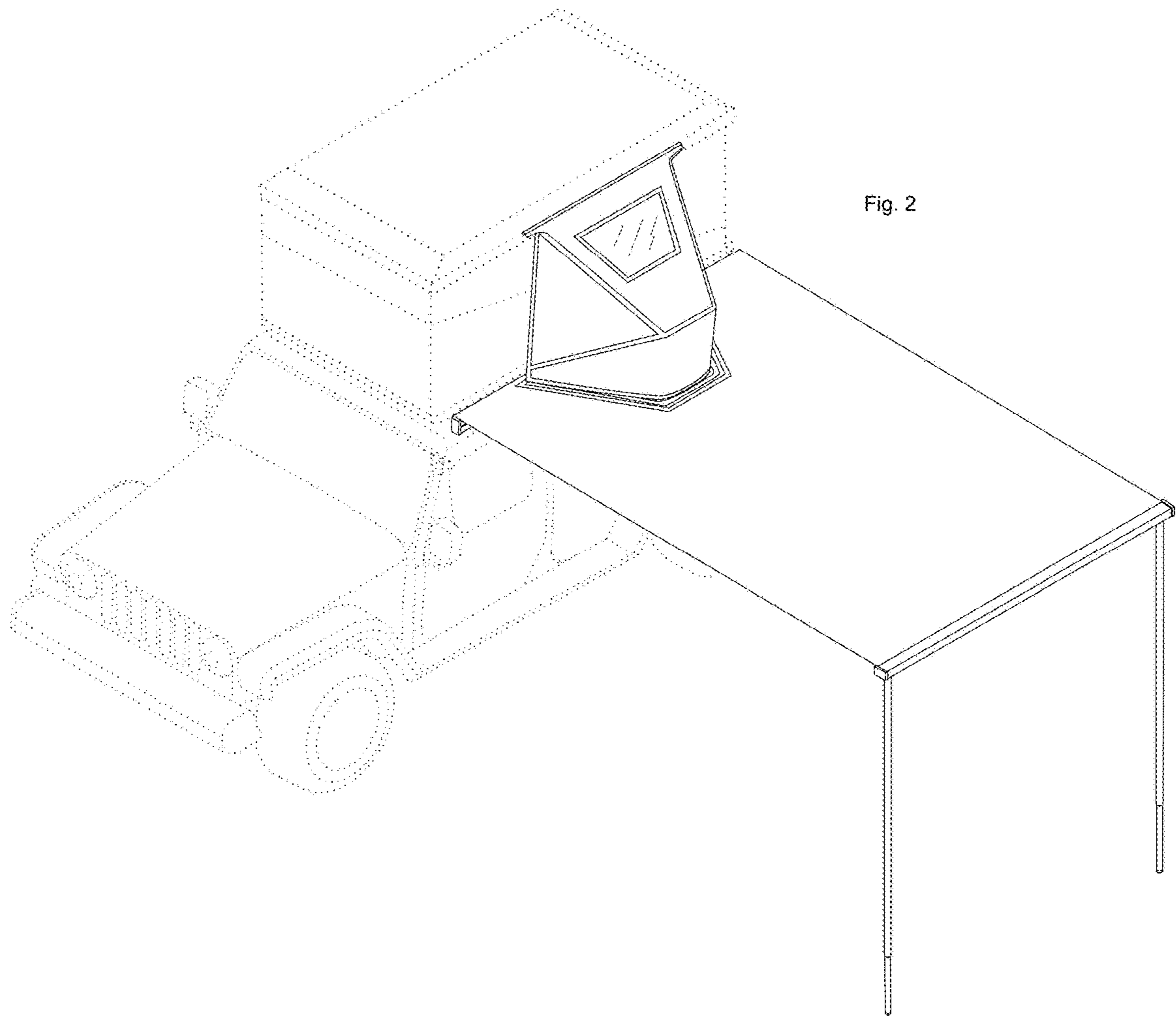


Fig. 2

Fig. 3

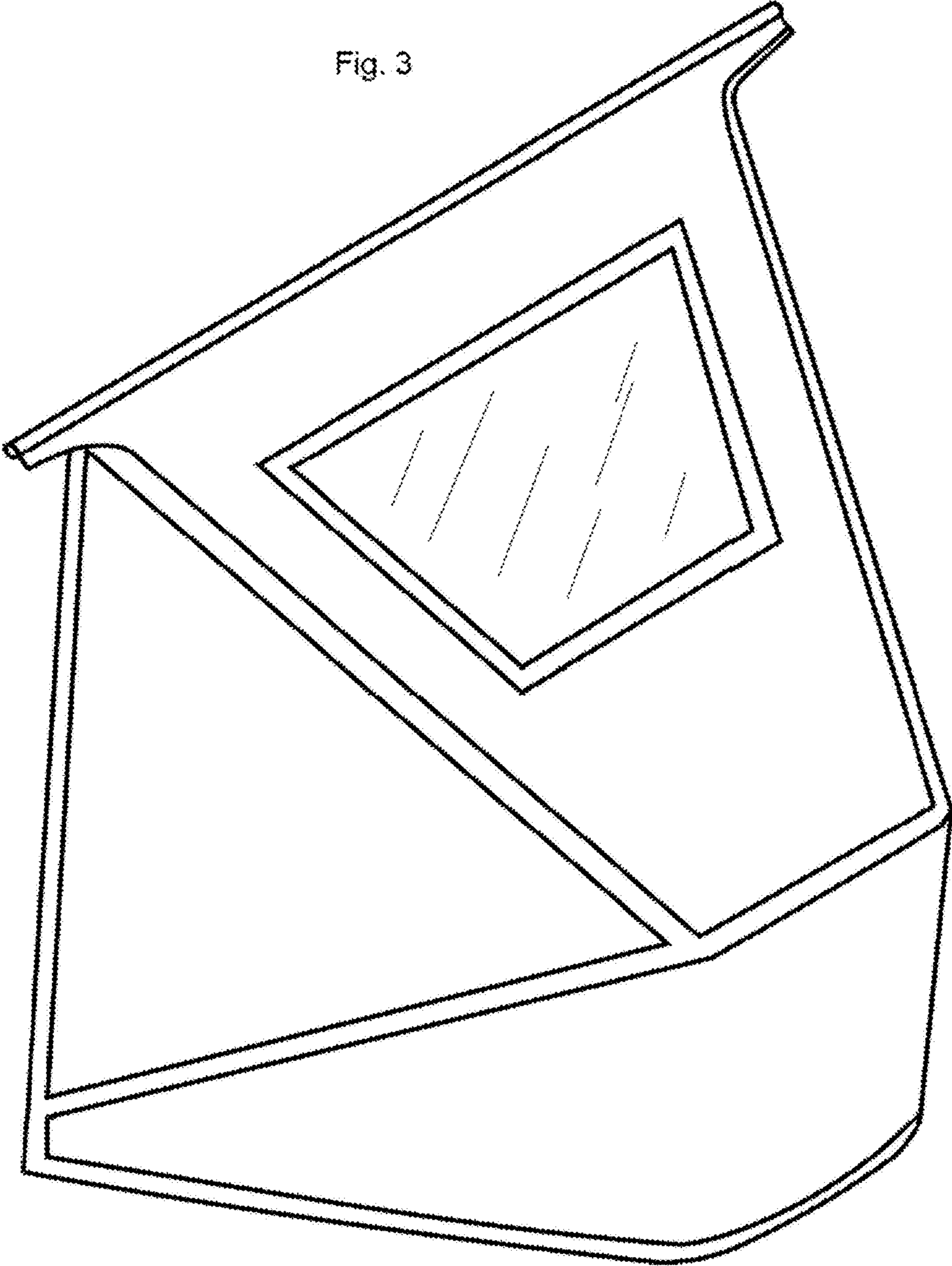


Fig. 4

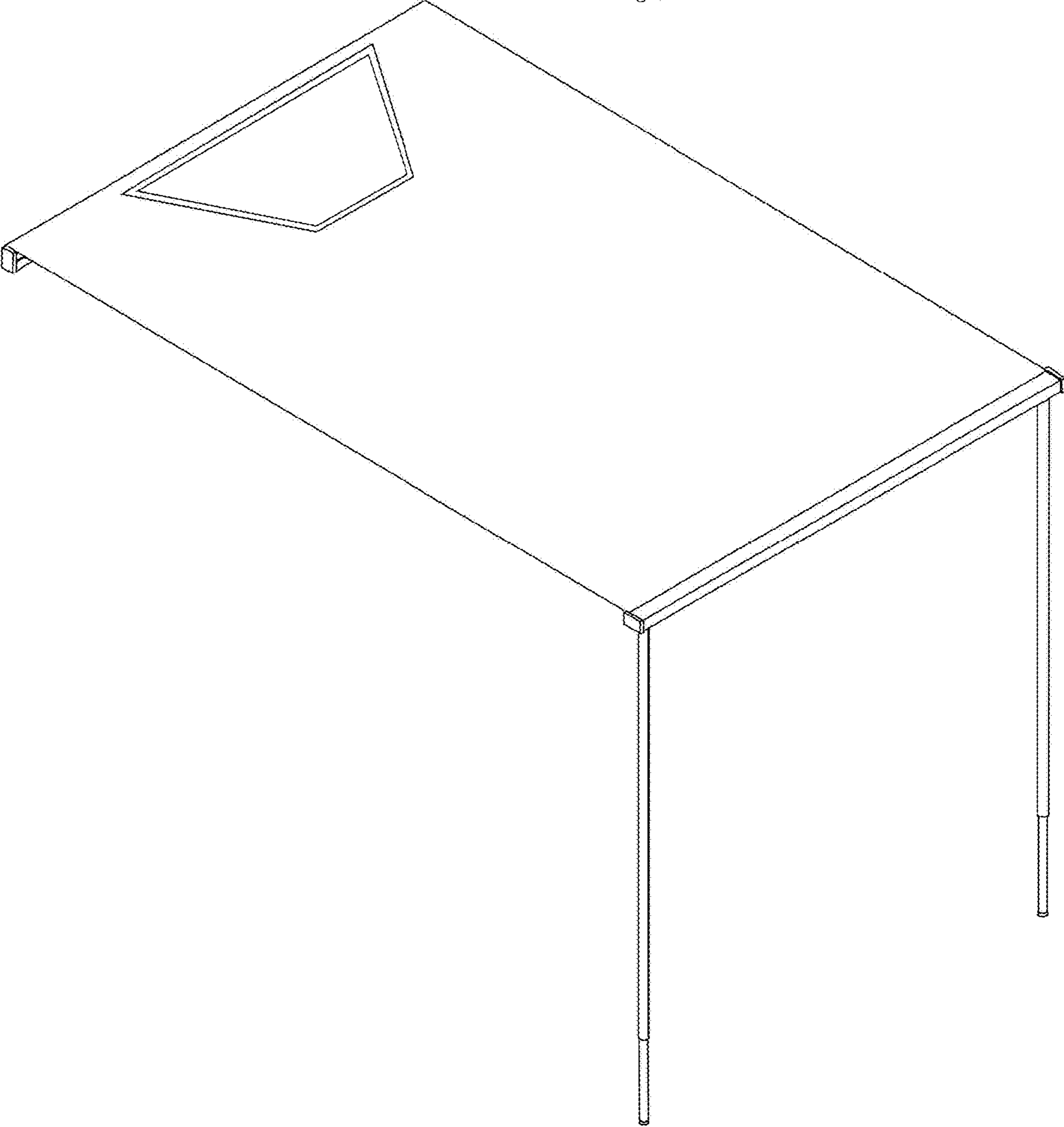


Fig. 5

