



US00D837121S

(12) **United States Design Patent**
Battams

(10) **Patent No.:** **US D837,121 S**

(45) **Date of Patent:** **** Jan. 1, 2019**

(54) **WHEEL**

(71) Applicant: **Jaguar Land Rover Limited**, Whitley,
Coventry (GB)

(72) Inventor: **Robert Battams**, Coventry (GB)

(73) Assignee: **Jaguar Land Rover Limited**, Whitley,
Coventry (GB)

(**) Term: **15 Years**

(21) Appl. No.: **29/622,357**

(22) Filed: **Oct. 17, 2017**

(30) **Foreign Application Priority Data**

Apr. 21, 2017 (EM) 003866789

(51) **LOC (11) Cl.** **12-16**

(52) **U.S. Cl.**
USPC **D12/209**

(58) **Field of Classification Search**

USPC D12/204–213; D21/533, 561, 563
CPC B60B 7/00; B60B 7/02; B60B 7/04; B60B
7/06; B60B 3/02; B60B 3/04; B60B 3/06;
B60B 3/10; B60B 1/00; B60B 1/08;
B60B 1/10; B60B 1/12

See application file for complete search history.

(56) **References Cited**

U.S. PATENT DOCUMENTS

D377,640 S * 1/1997 Neepor D12/209
D673,494 S * 1/2013 Lemke D12/209

D694,694 S * 12/2013 Wheel D12/209
D759,565 S * 6/2016 Cybulski D12/209
D774,438 S * 12/2016 Valencia Pollex D12/209
D781,761 S * 3/2017 Lee D12/209
D790,424 S * 6/2017 Valencia Pollex D12/209
D792,309 S * 7/2017 Wolff D12/211
D795,777 S * 8/2017 Valencia Pollex D12/211
D807,269 S * 1/2018 Peat D12/209
D823,224 S * 7/2018 Nakamura D12/211

* cited by examiner

Primary Examiner — Sheryl Lane

Assistant Examiner — Calvin E Vansant

(74) *Attorney, Agent, or Firm* — Wood Herron & Evans
LLP

(57) **CLAIM**

The ornamental design for a wheel, as shown and described.

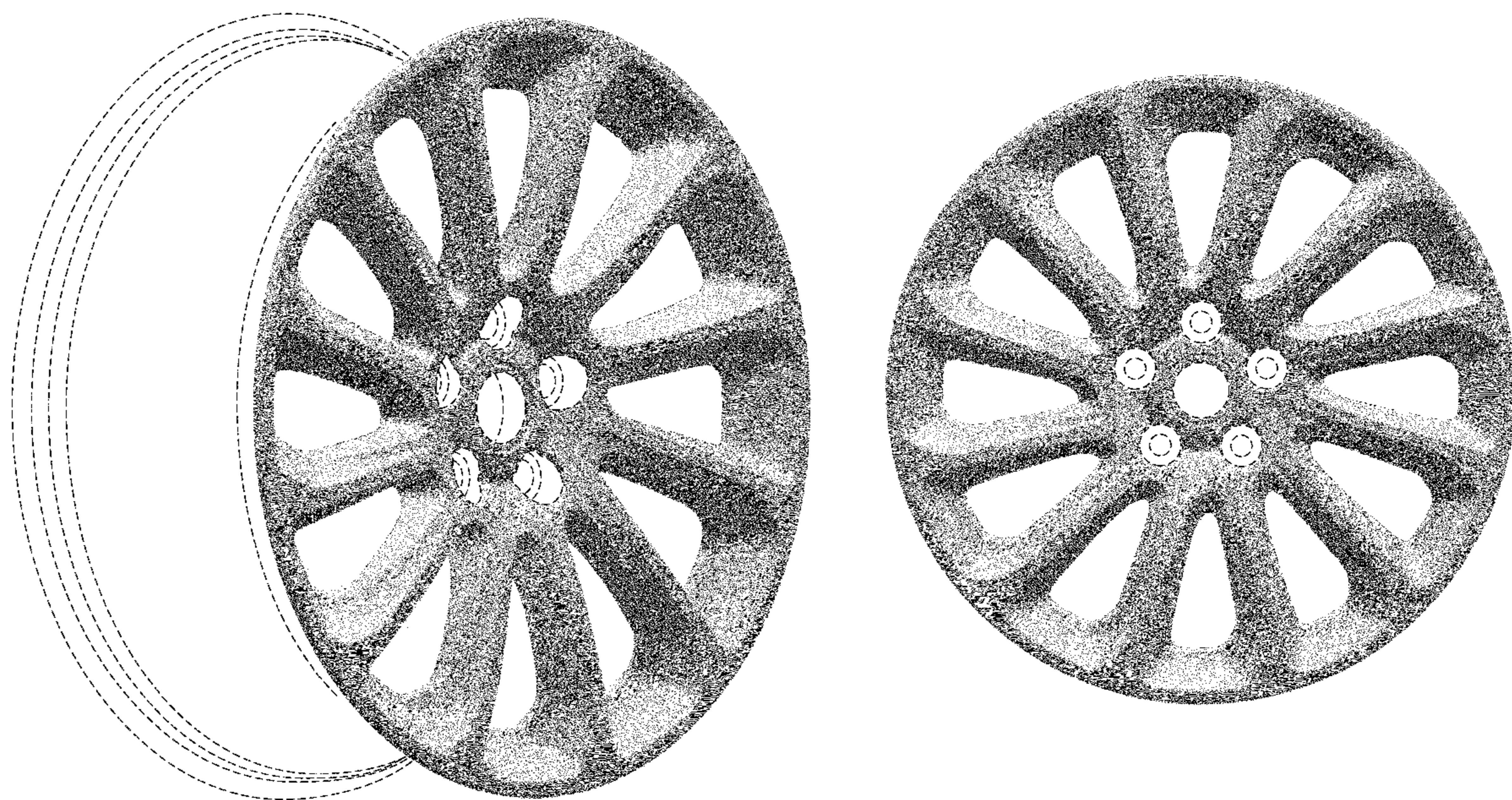
DESCRIPTION

FIG. 1 is a front left perspective view of a wheel for a vehicle according to the present invention.

FIG. 2 is a front view of the wheel shown in FIG. 1; and, FIG. 3 is a left side view thereof, the right side being a mirror image thereof.

The broken lines depict portions of the wheel that form no part of the claim.

1 Claim, 2 Drawing Sheets



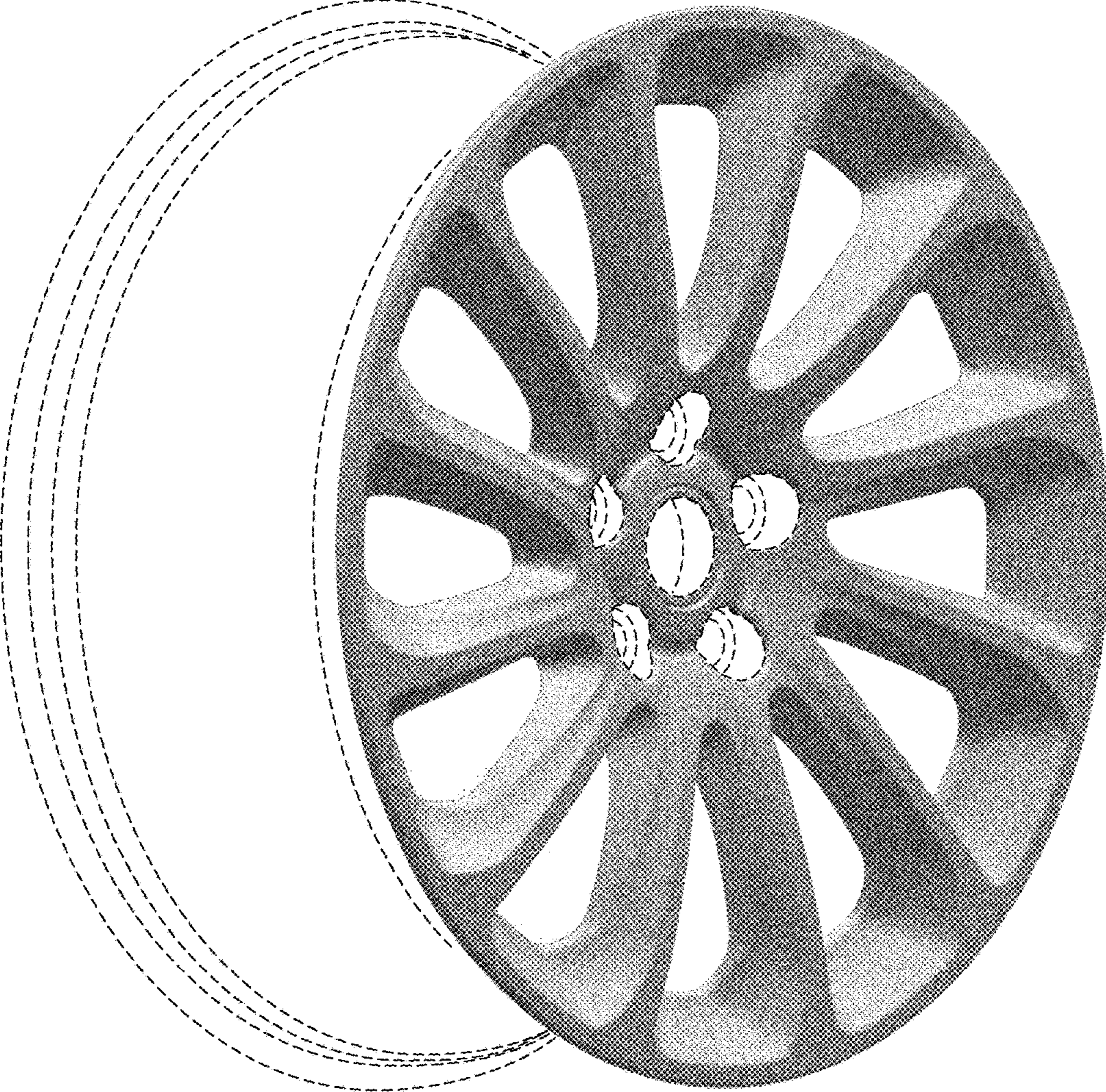


FIG. 1

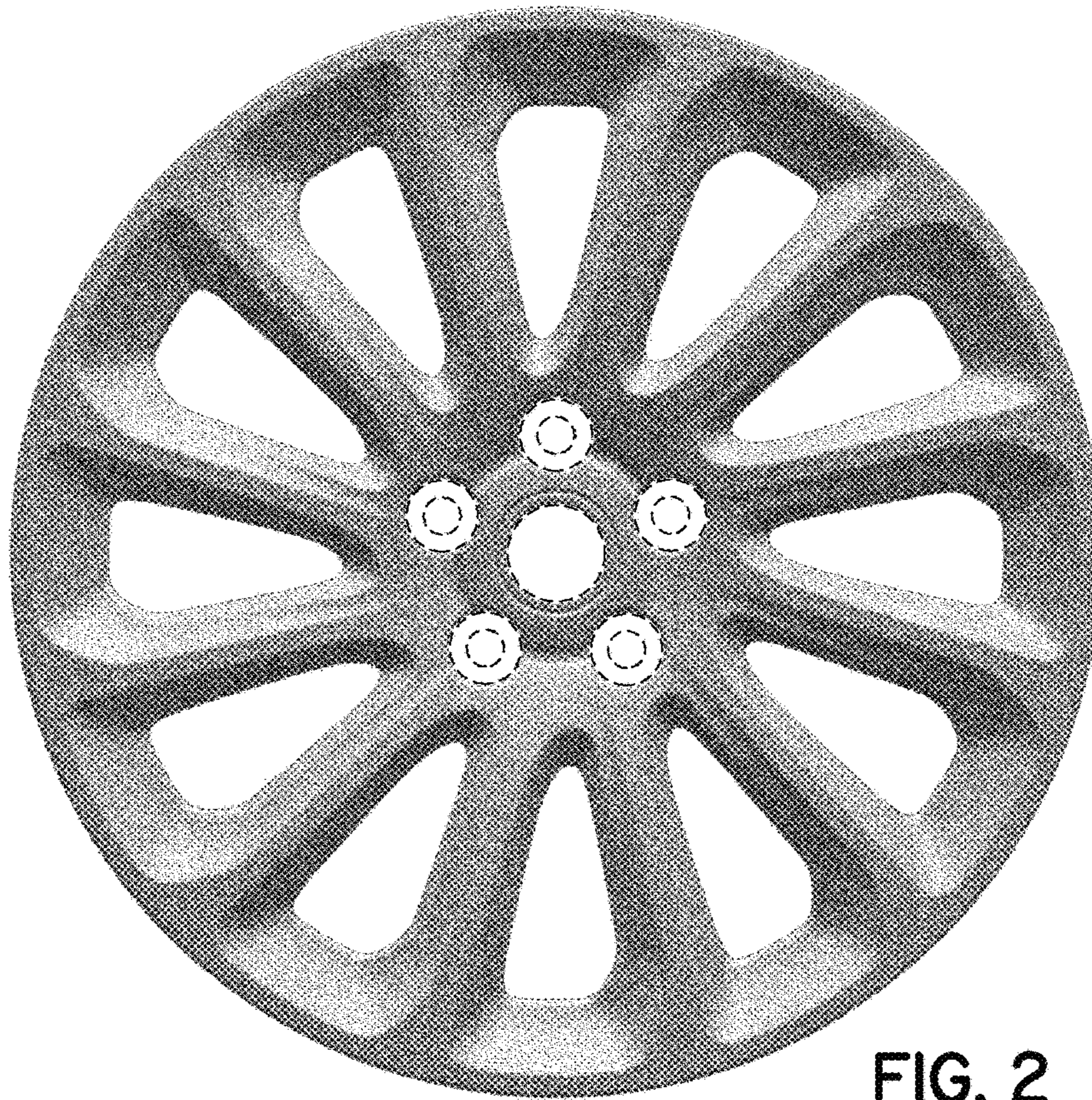


FIG. 2

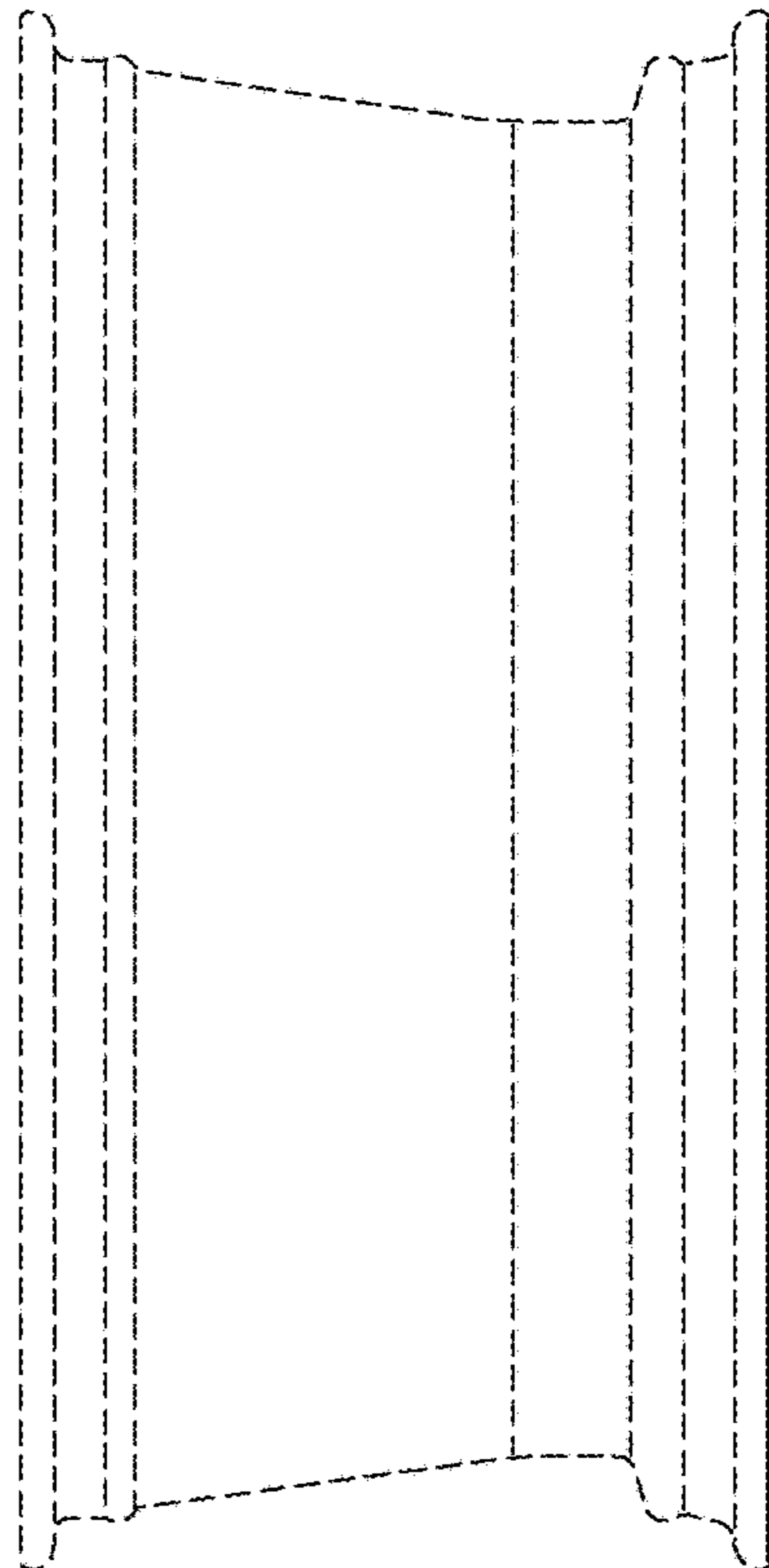


FIG. 3