



US00D837118S

(12) **United States Design Patent**
Takada et al.

(10) **Patent No.:** **US D837,118 S**
(45) **Date of Patent:** **** Jan. 1, 2019**

- (54) **INSTRUMENT PANEL**
- (71) Applicant: **HONDA MOTOR CO., LTD.**,
Minato-ku, Tokyo (JP)
- (72) Inventors: **Leonard Takada**, Ladera Ranch, CA
(US); **Takashi Kumamoto**, Gardena,
CA (US)
- (73) Assignee: **Honda Motor Co., Ltd.**, Tokyo (JP)
- (**) Term: **15 Years**
- (21) Appl. No.: **29/584,387**
- (22) Filed: **Nov. 14, 2016**
- (51) **LOC (11) Cl.** **12-16**
- (52) **U.S. Cl.**
USPC **D12/192**
- (58) **Field of Classification Search**
USPC 10/46, 98, 102–103, 122–127; 12/110,
12/114, 192, 345, 415; 15/17, 28, 199
CPC B60H 3/06; B60K 35/00; B60K 37/00;
B60R 11/02; G01C 21/16; G01C 21/30;
G01C 21/3688; G08G 1/096883
See application file for complete search history.

(56) **References Cited**

U.S. PATENT DOCUMENTS

- 6,398,256 B1 * 6/2002 Saito B29C 37/0032
280/732
- D795,145 S * 8/2017 Miyashita D12/192
- D795,146 S * 8/2017 Ogawa D12/192
- D796,402 S * 9/2017 Tanaka D12/192
- D798,783 S * 10/2017 Li D12/192
- D800,040 S * 10/2017 Kasano D12/192
- D801,245 S * 10/2017 Giolito D12/192
- D803,120 S * 11/2017 Boas D12/192
- D804,380 S * 12/2017 Nakai D12/192
- D806,623 S * 1/2018 Kato D12/192
- D808,873 S * 1/2018 Joyce D12/192

- D809,967 S * 2/2018 Lampkin D12/16
- D812,536 S * 3/2018 Matsuda D12/192
- 2003/0155793 A1 * 8/2003 Yoshihara B62D 25/142
296/208
- 2004/0041432 A1 * 3/2004 Baker B60H 1/0055
296/70
- 2004/0166302 A1 * 8/2004 Lee B29C 44/1257
428/304.4
- 2005/0196600 A1 * 9/2005 Lee B29C 44/1257
428/304.4
- 2007/0228762 A1 * 10/2007 Vander Sluis B60K 37/00
296/70
- 2008/0315610 A1 * 12/2008 Sutou B60Q 3/225
296/70
- 2009/0149098 A1 * 6/2009 Andronis B60H 1/00564
442/181
- 2009/0261612 A1 * 10/2009 Takayama B60K 37/02
296/70
- 2010/0110657 A1 * 5/2010 Weindorf B60K 35/00
362/23.01

(Continued)

Primary Examiner — Patricia A Palasik

(74) Attorney, Agent, or Firm — Arent Fox LLP

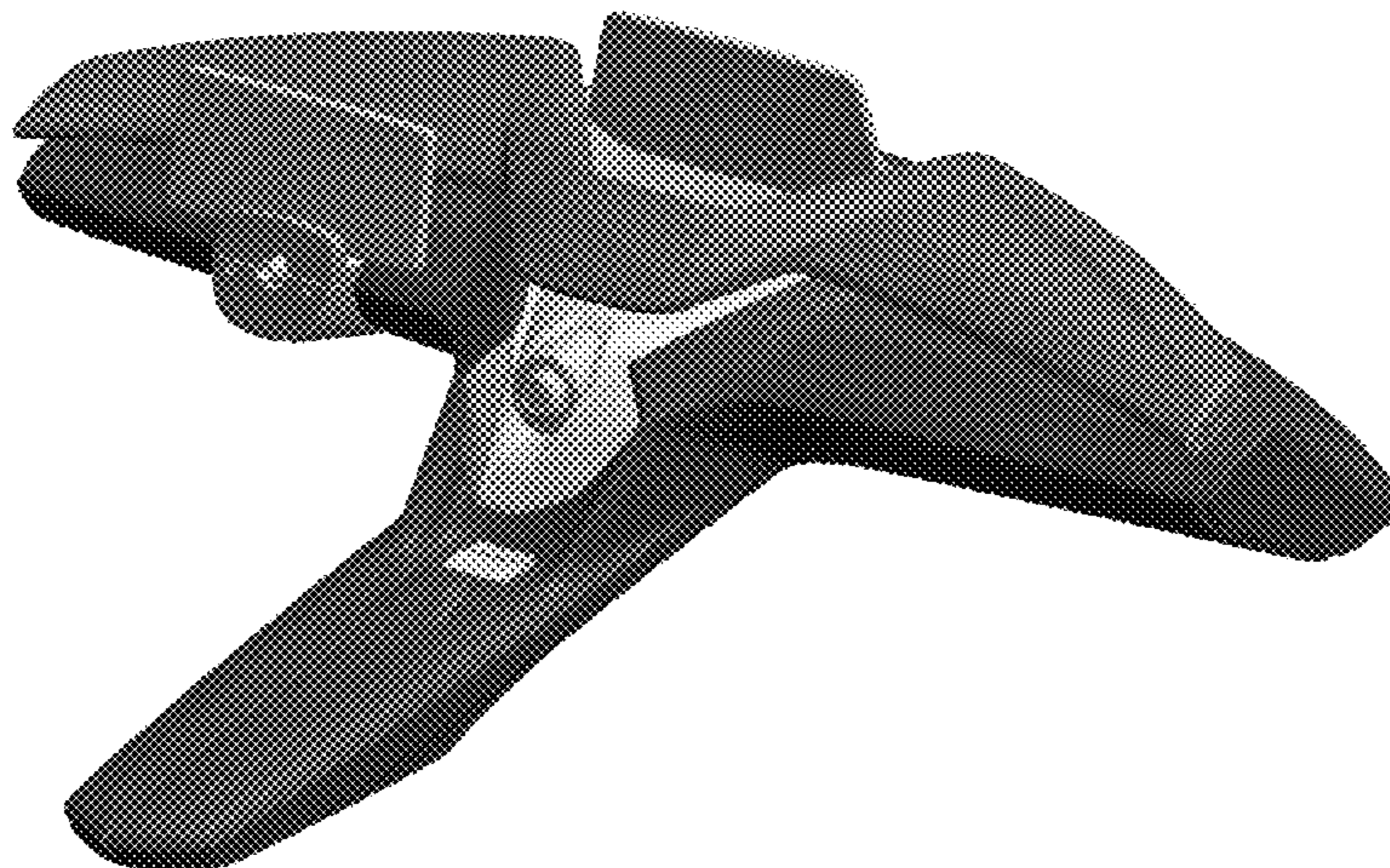
(57) **CLAIM**

The ornamental design for an instrument panel, as shown and described.

DESCRIPTION

FIG. 1 is a front right perspective view of an instrument panel showing our new design; FIG. 2 is a rear view of the design shown of FIG. 1; FIG. 3 is a front view of the design shown of FIG. 1; FIG. 4 is a top view of the design shown of FIG. 1; FIG. 5 is a left side view of the design shown of FIG. 1; and, FIG. 6 is a right side view of the design shown of FIG. 1. The broken lines depict portions of the instrument panel that form no part of the claimed design. The bottom of the instrument panel forms no part of the claimed design.

1 Claim, 6 Drawing Sheets



(56)

References Cited

U.S. PATENT DOCUMENTS

2011/0187147 A1* 8/2011 Kober B62D 21/157
296/70
2012/0112488 A1* 5/2012 Iwamoto B60R 7/06
296/37.12
2012/0139283 A1* 6/2012 Ono B60R 7/06
296/70
2012/0274090 A1* 11/2012 Carter B62D 25/145
296/70
2013/0023192 A1* 1/2013 Niwa B60H 1/0055
454/127
2013/0257085 A1* 10/2013 Zellner, Jr. B60K 37/00
296/70
2014/0232140 A1* 8/2014 Nagai B60K 37/00
296/193.02
2016/0129871 A1* 5/2016 Knauf B60K 35/00
280/730.1
2017/0344181 A1* 11/2017 Kneuper G08G 5/0034

* cited by examiner

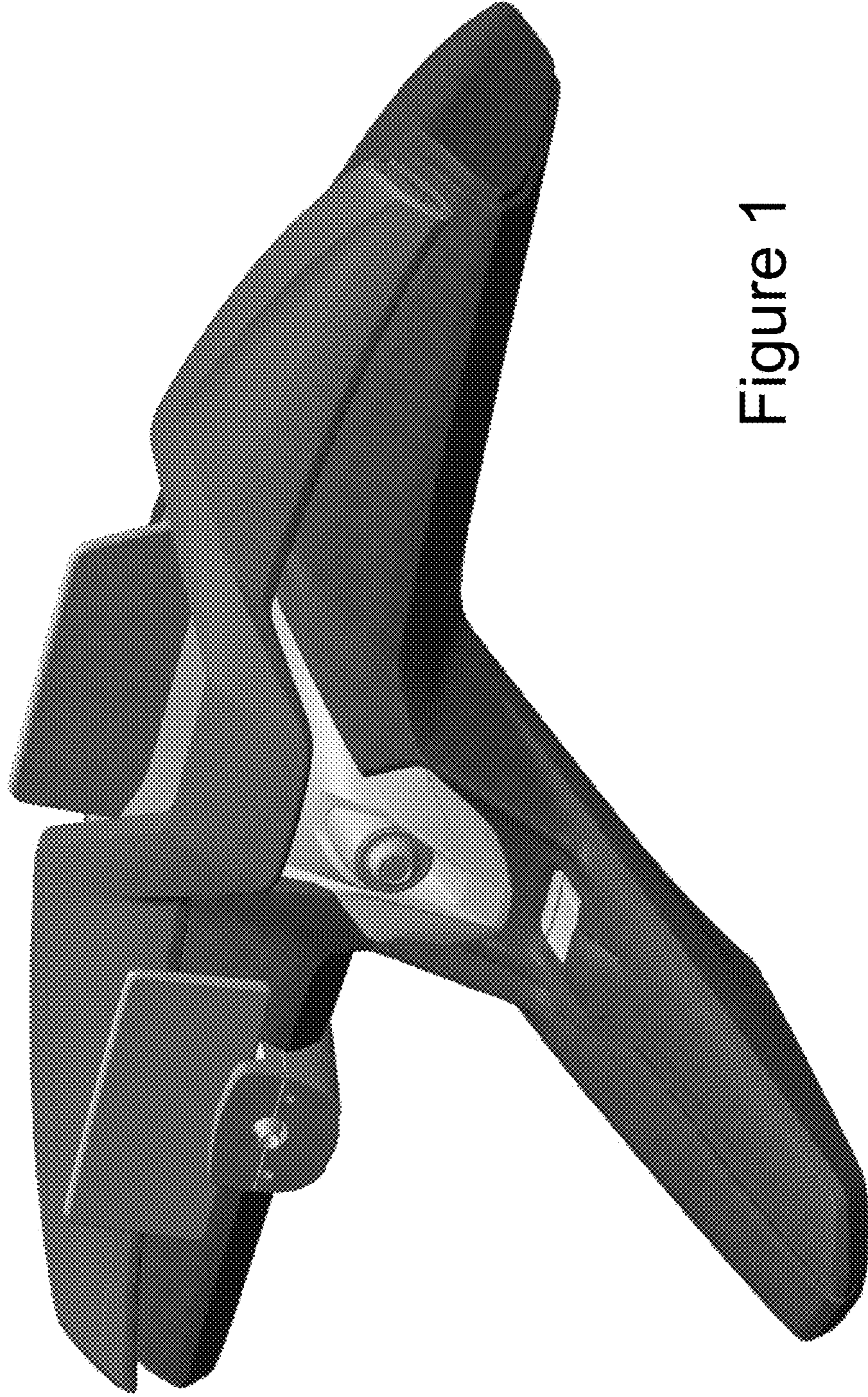


Figure 1

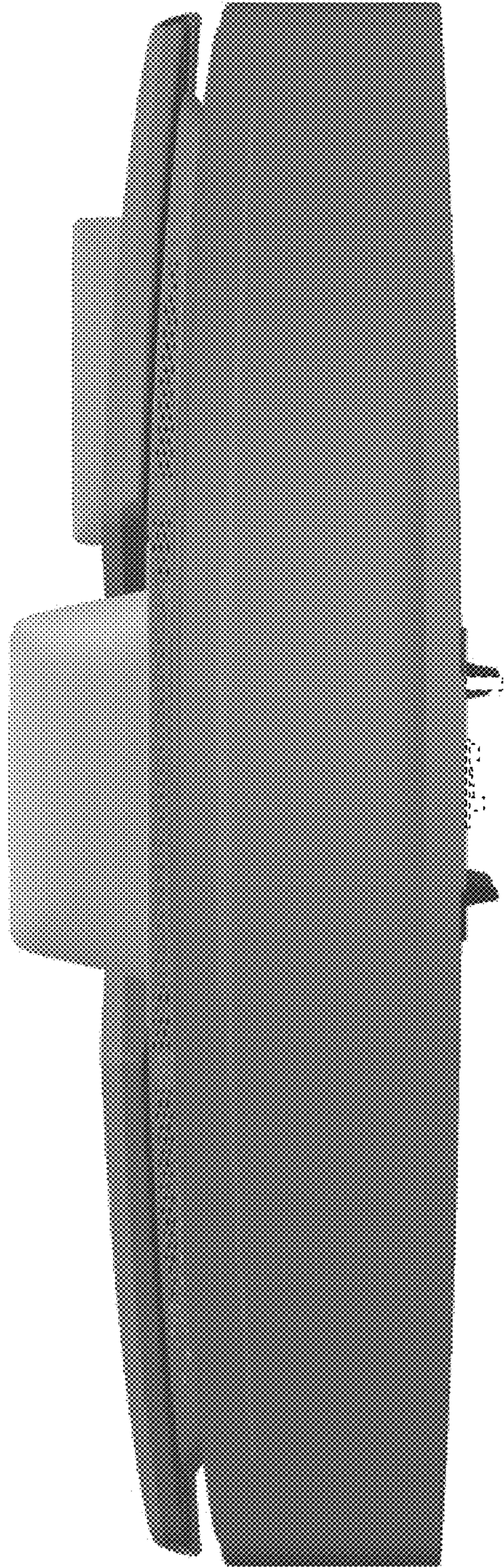


Figure 2

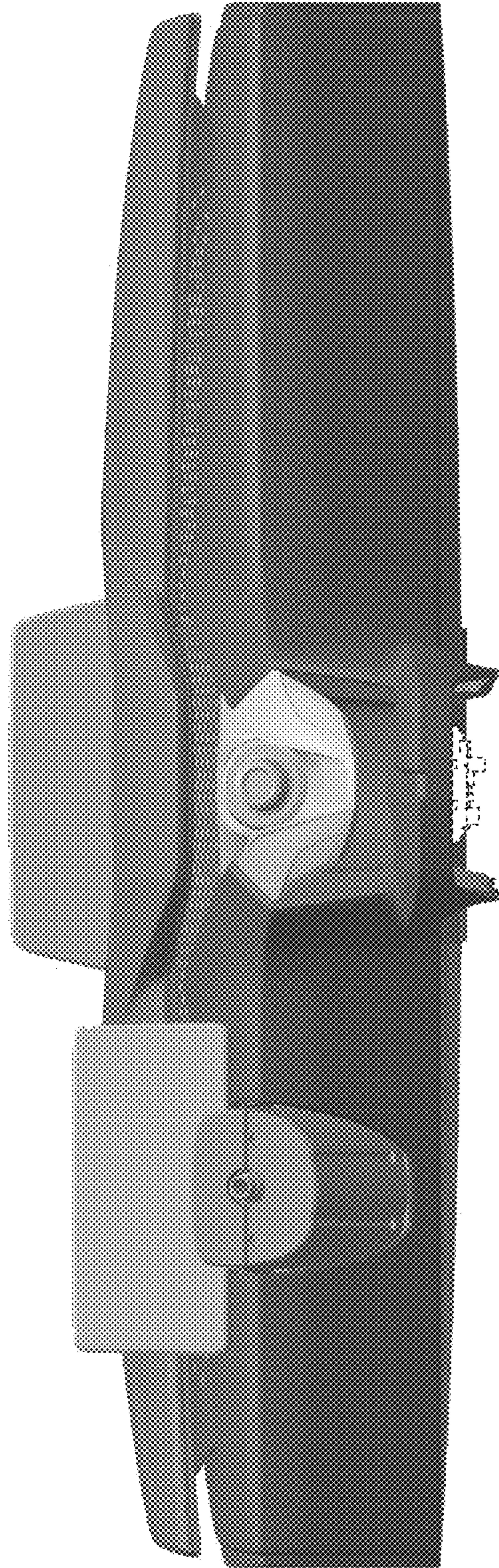


Figure 3

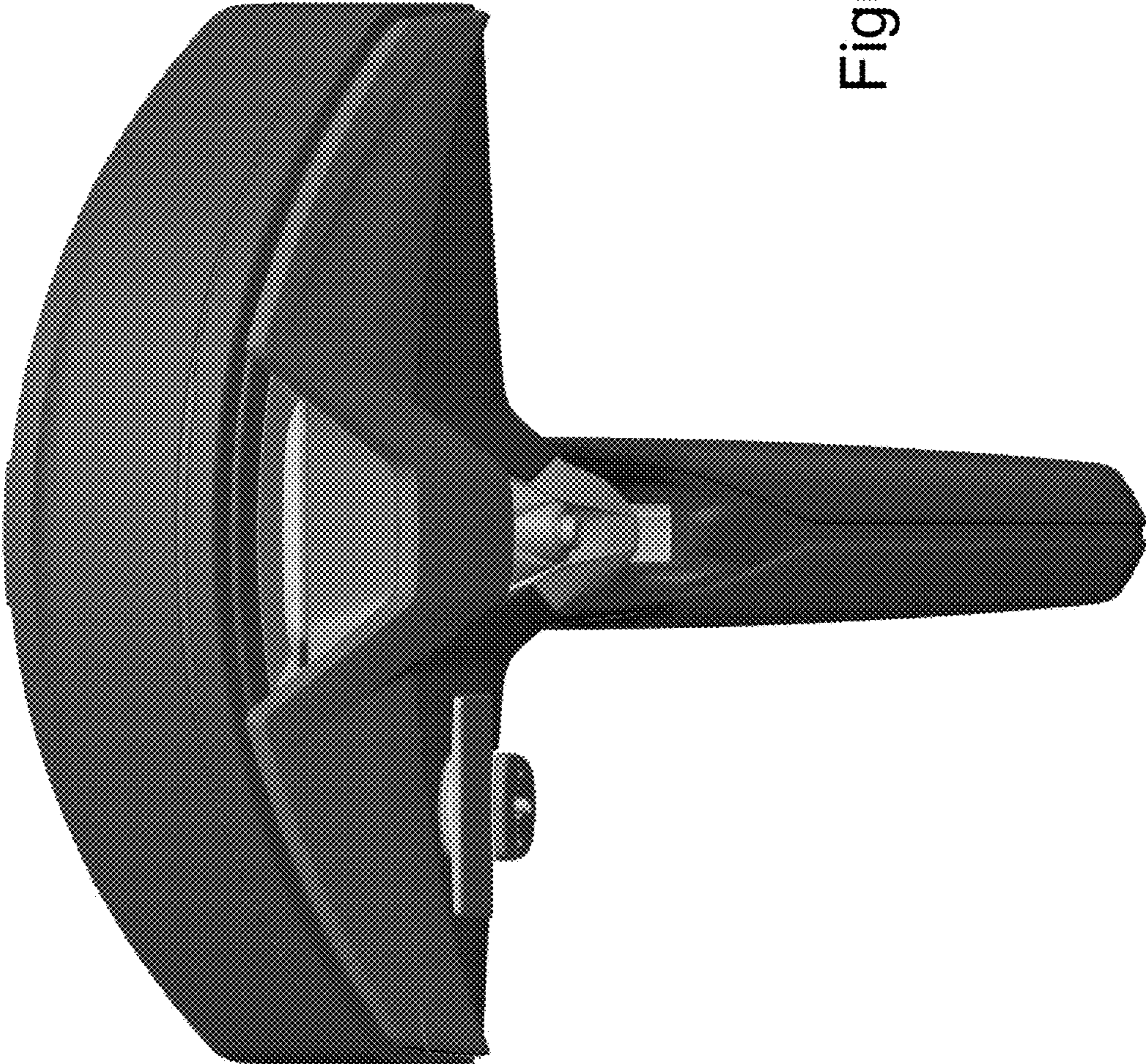


Figure 4

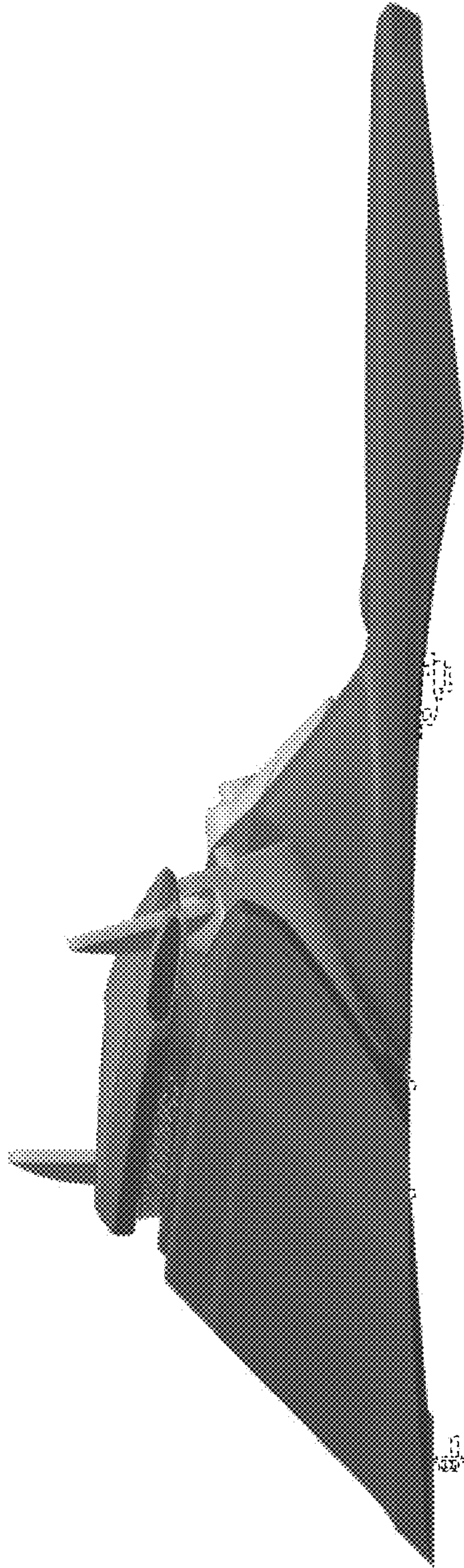


Figure 5

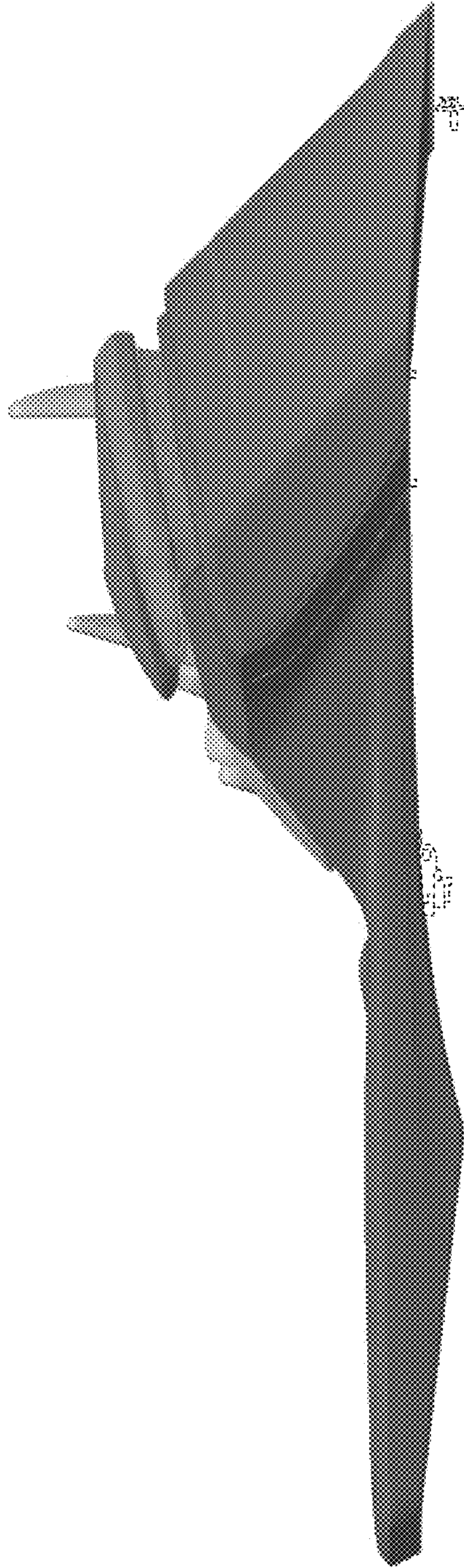


Figure 6