



US00D837117S

(12) **United States Design Patent** (10) **Patent No.:** **US D837,117 S**
Manzoni (45) **Date of Patent:** **** Jan. 1, 2019**

(54) **INSTRUMENT PANEL FOR AN AUTOMOBILE**
 (71) Applicant: **Ferrari S.p.A.**, Modena (IT)
 (72) Inventor: **Flavio Manzoni**, Maranello (IT)
 (73) Assignee: **Ferrari S.p.A.**, Modena (IT)
 (**) Term: **15 Years**
 (21) Appl. No.: **29/573,338**
 (22) Filed: **Aug. 4, 2016**

D511,729 S * 11/2005 Yamazaki D12/192
 D512,005 S * 11/2005 Seidel D12/192
 D512,671 S * 12/2005 Juraschek D12/192
 D533,492 S * 12/2006 Maezono D12/192
 D548,652 S * 8/2007 Borsari D12/176
 D551,602 S * 9/2007 Moruzzi D12/176
 D551,603 S * 9/2007 Manfredini D12/176
 7,360,747 B2 * 4/2008 Stephan B60N 3/102
 224/281
 D571,272 S * 6/2008 Esaki D12/192
 D577,642 S * 9/2008 Kitajima D12/192
 D586,714 S * 2/2009 Woodard, Jr. D12/192
 D591,653 S * 5/2009 Corradi D12/176
 D602,833 S * 10/2009 Corradi D12/195
 D604,217 S * 11/2009 Kabayama D12/192
 D613,654 S * 4/2010 Money Penny D12/192

(Continued)

(30) **Foreign Application Priority Data**

Feb. 5, 2016 (EM) 001448617

(51) **LOC (11) Cl.** **12-16**

(52) **U.S. Cl.**
USPC **D12/192**

(58) **Field of Classification Search**
 USPC D14/157, 485, 489, 492, 488, 490;
 D20/28, 35; D12/192, 190, 345, 415,
 D12/110, 114; 296/70, 24.3, 37.12;
 702/165; 345/158, 594; D10/113.4, 49,
 D10/46, 98, 102, 103, 122, 123, 124, 125,
 D10/126, 127; 715/839; D15/17, 28
 CPC . B60R 21/045; B60R 2300/305; B60K 35/00;
 G06F 3/04817; H04N 21/4307; H04N
 21/4312

See application file for complete search history.

(56) **References Cited**

U.S. PATENT DOCUMENTS

D372,010 S * 7/1996 Pfeiffer D12/192
 D412,146 S * 7/1999 Sacco D12/192
 D423,434 S * 4/2000 Yano D12/192
 D469,391 S * 1/2003 Pfeiffer D12/192
 D493,757 S * 8/2004 Pfeiffer D12/192

Primary Examiner — Shannon W Morgan

Assistant Examiner — Altaira J Swangin

(74) *Attorney, Agent, or Firm* — Cowan, Liebowitz & Latman, P.C

(57) **CLAIM**

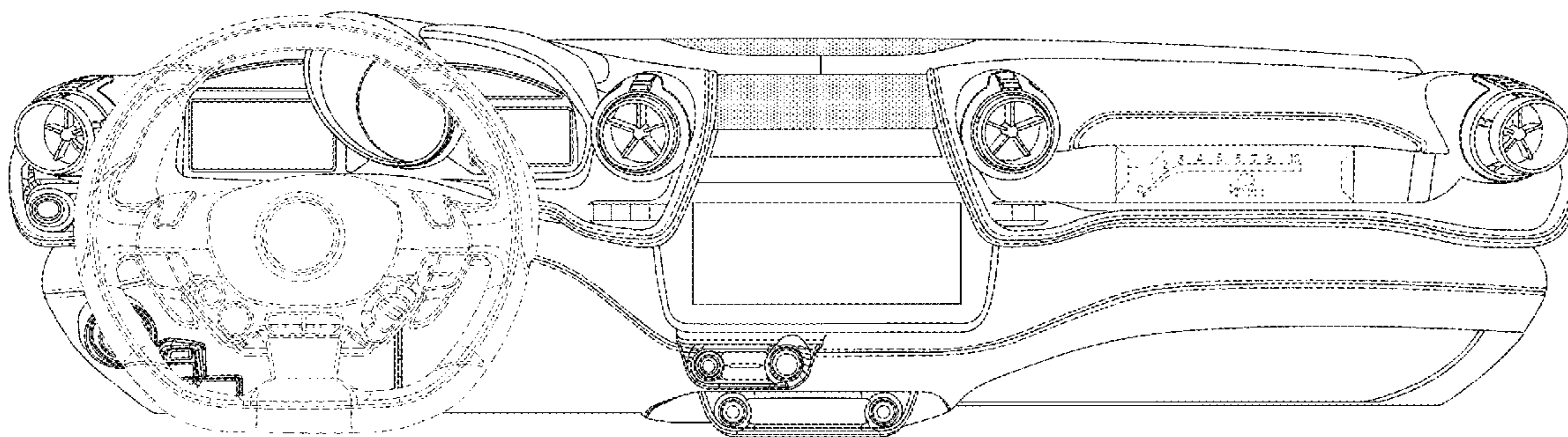
The ornamental design for an instrument panel for an automobile, as shown and described.

DESCRIPTION

FIG. 1 is a front view of the instrument panel for an automobile showing my design;
 FIG. 2 is a front view thereof;
 FIG. 3 is a top view thereof;
 FIG. 4 is a bottom view thereof;
 FIG. 5 is a left side view thereof; and,
 FIG. 6 is a right side view thereof.

The broken lines in the drawings, illustrating a steering wheel and a display portion on the right side of the instrument panel for an automobile, form no part of the claimed design. Dashed lines offset from either side of a solid line represent stitching, the particular configuration of which forms no part of the claimed design.

1 Claim, 6 Drawing Sheets



(56)

References Cited

U.S. PATENT DOCUMENTS

7,784,844 B2 *	8/2010	Sato	B29C 33/18	296/191	2007/0163376 A1 *	7/2007	Baldet	B60K 37/06
D640,180 S *	6/2011	Moneypenny	D12/345		2015/0082932 A1 *	3/2015	Spaggiari	B62D 1/046
8,025,327 B1 *	9/2011	Schowalter	B60K 37/00	296/152	2015/0082933 A1 *	3/2015	Spaggiari	B62D 1/046
D697,460 S *	1/2014	Matsuda	D12/192		2015/0321397 A1 *	11/2015	Marchetti	B29C 44/0461
8,997,433 B2 *	4/2015	Fabris	B62D 1/187	280/752	2015/0321560 A1 *	11/2015	Webb	B60K 37/00
D730,805 S *	6/2015	Tran	D12/192		2015/0321561 A1 *	11/2015	Webb	B60K 37/00
D770,348 S *	11/2016	Shimizu	D12/192		2015/0321703 A1 *	11/2015	Bharathan	B29C 45/0005
D772,128 S *	11/2016	Platt	D12/192		2015/0321704 A1 *	11/2015	Marchetti	B29C 45/16
D792,299 S *	7/2017	Manzoni	D12/176		2017/0313191 A1 *	11/2017	Beauregard	B60R 13/0256
D801,245 S *	10/2017	Giolito	D12/192		2018/0032138 A1 *	2/2018	Yasuoka	G06F 3/016
D816,583 S *	5/2018	Dutertre	D12/328		2018/0079284 A1 *	3/2018	Choi	B60J 3/04
D821,946 S *	7/2018	Ma	D12/192						
D822,071 S *	7/2018	Jacobsthal	D15/28						
2001/0030435 A1 *	10/2001	Burns	B60K 37/00	296/24.3					

* cited by examiner

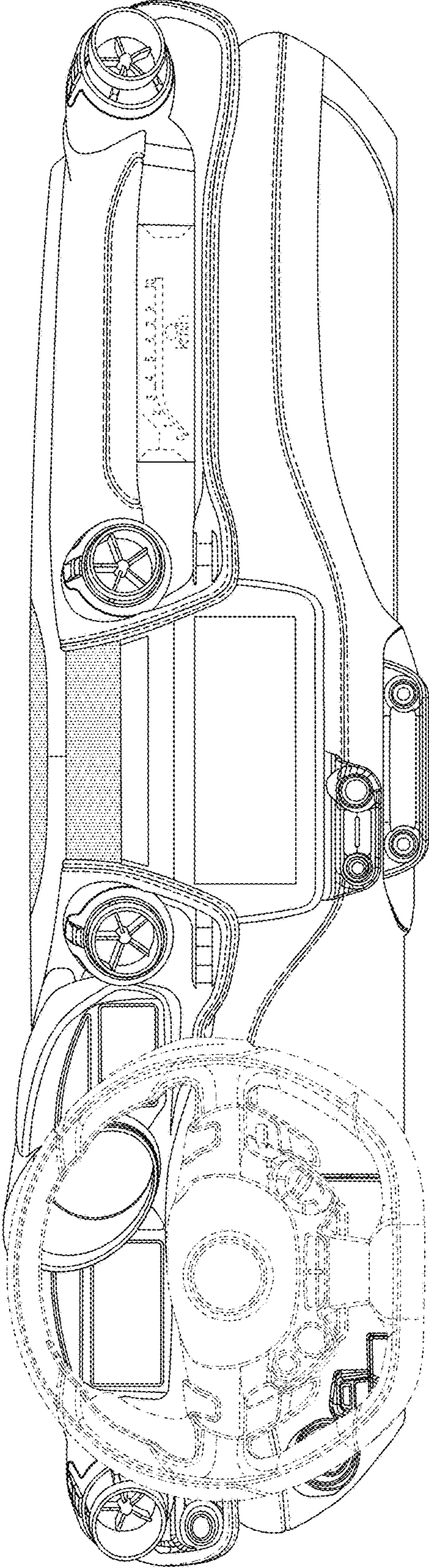


FIG. 1

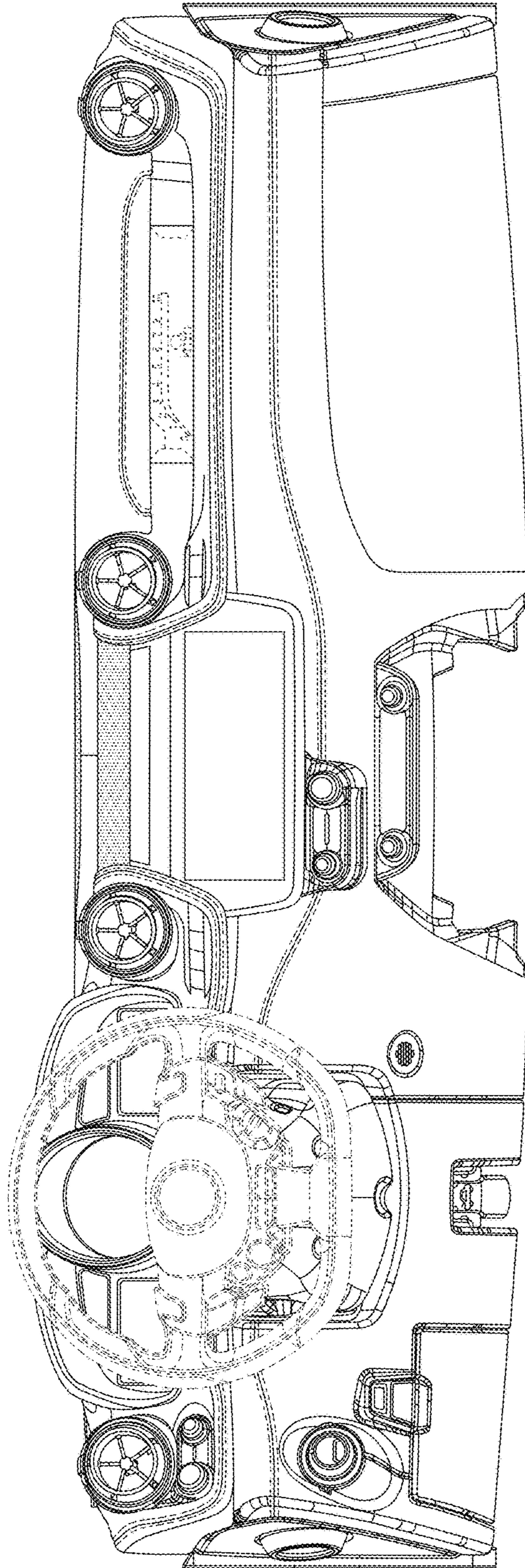


FIG. 2

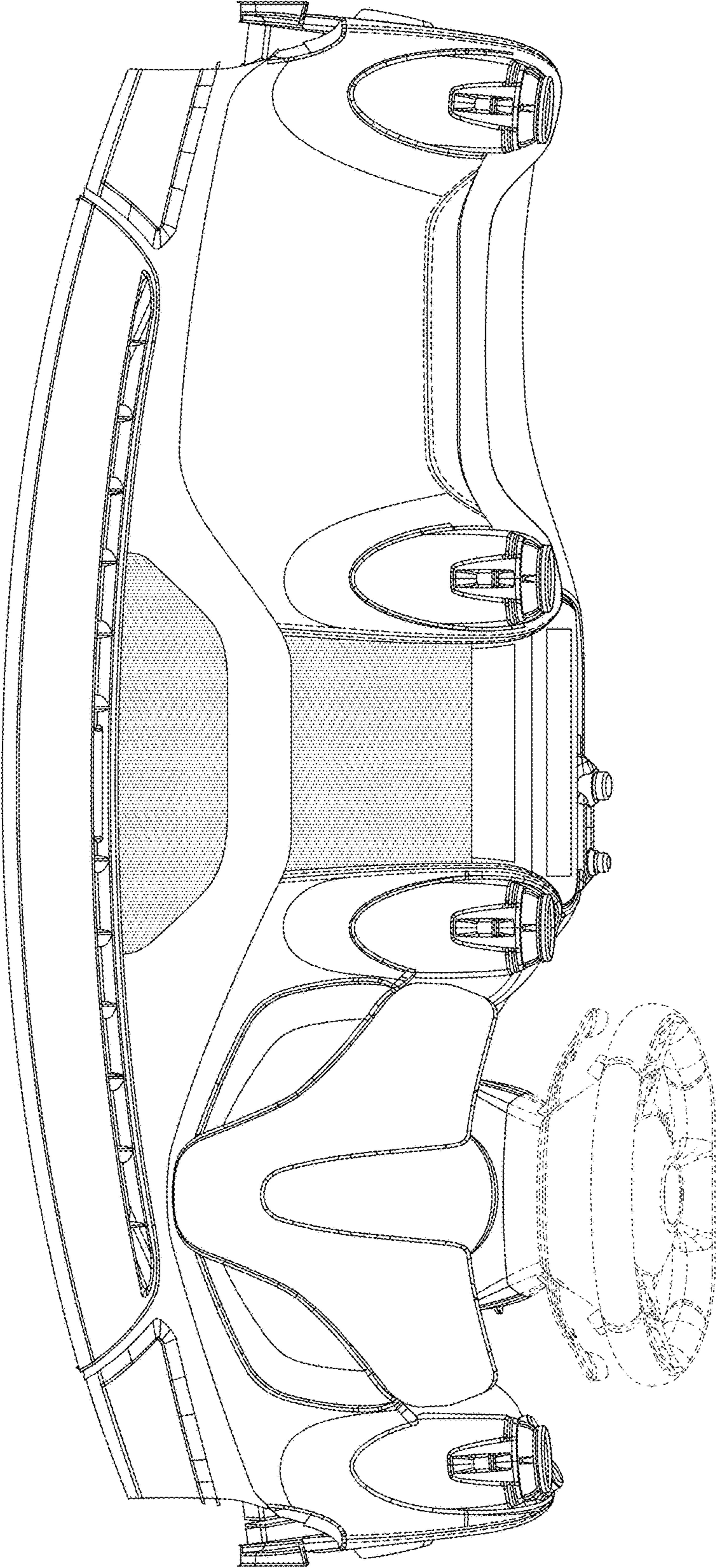


FIG. 3

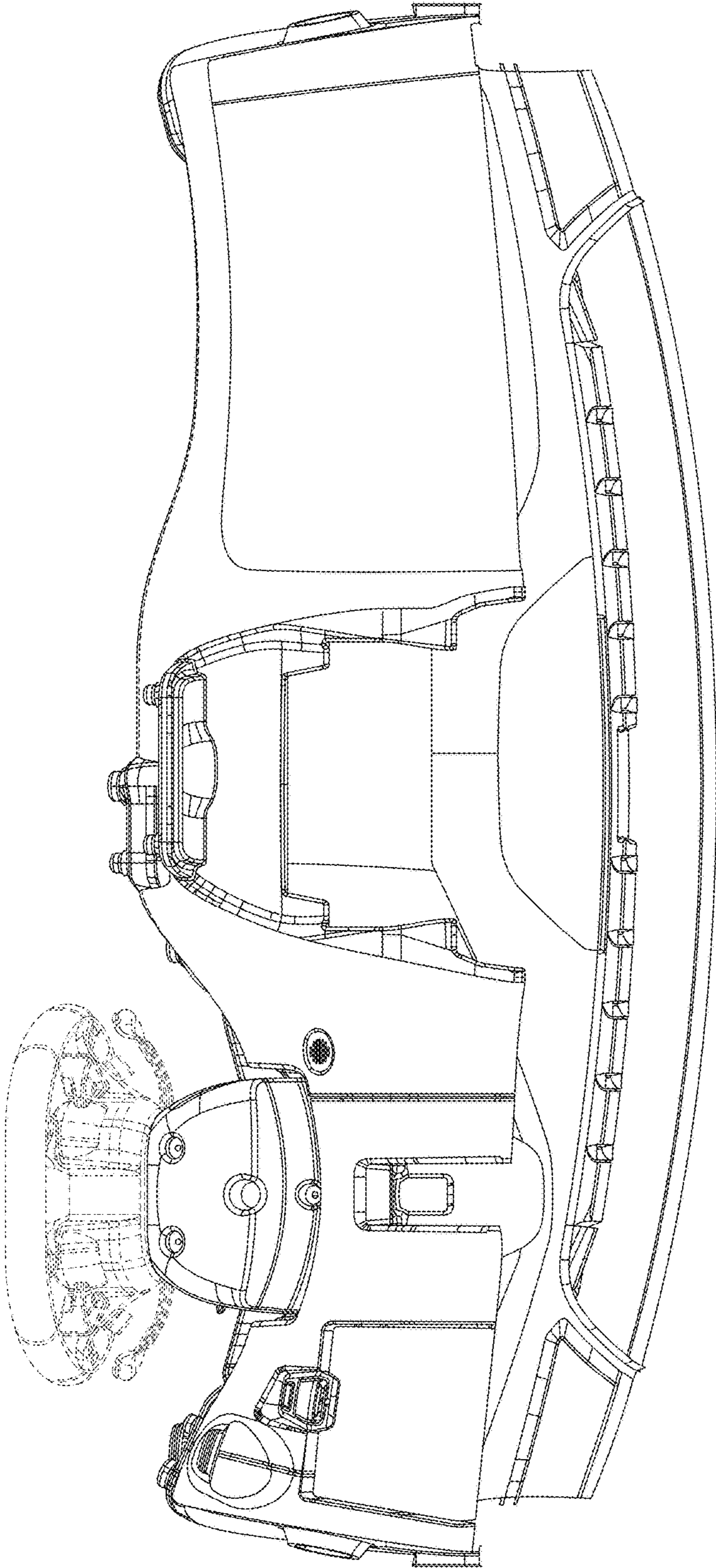


FIG. 4

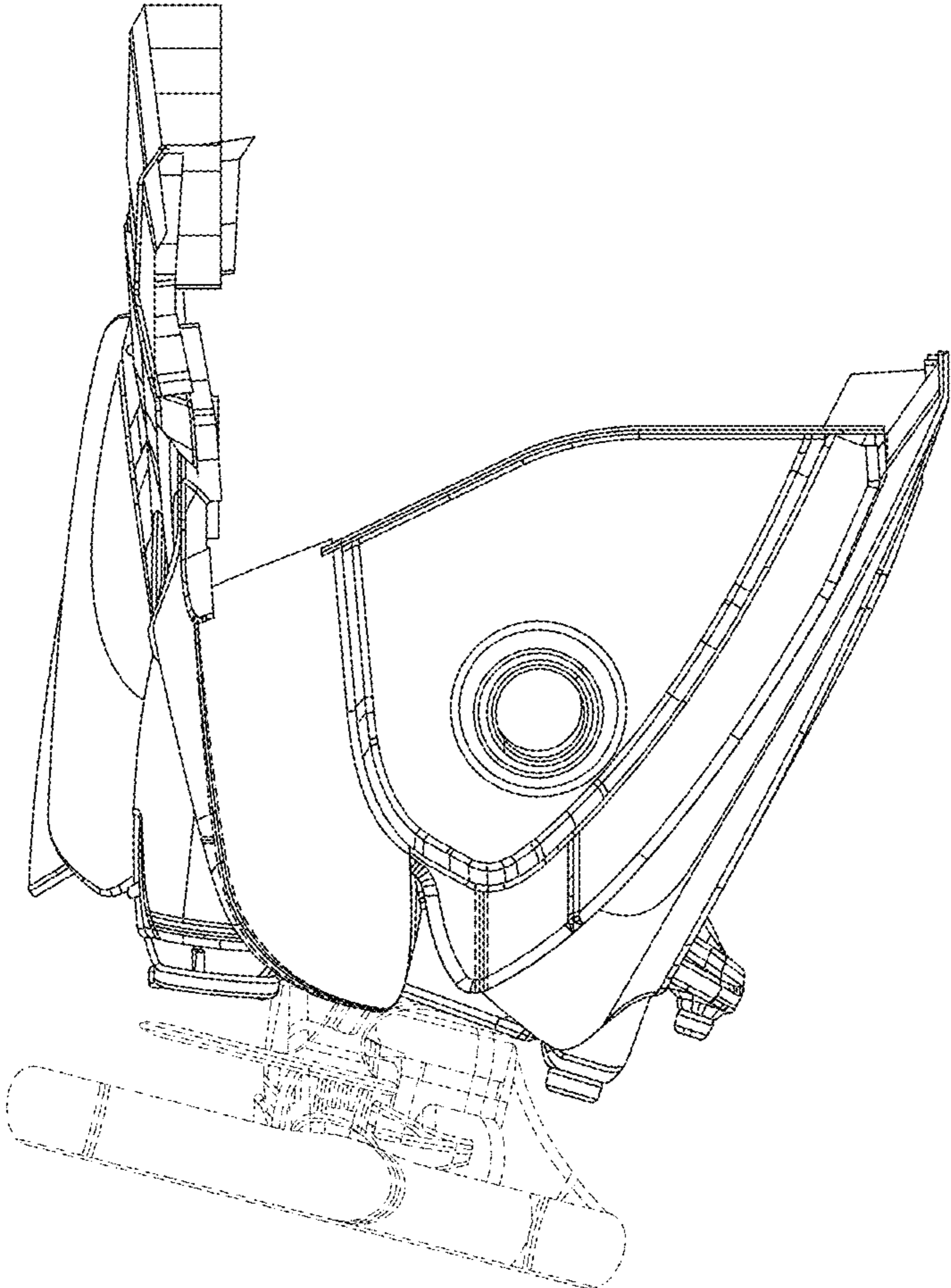


FIG. 5

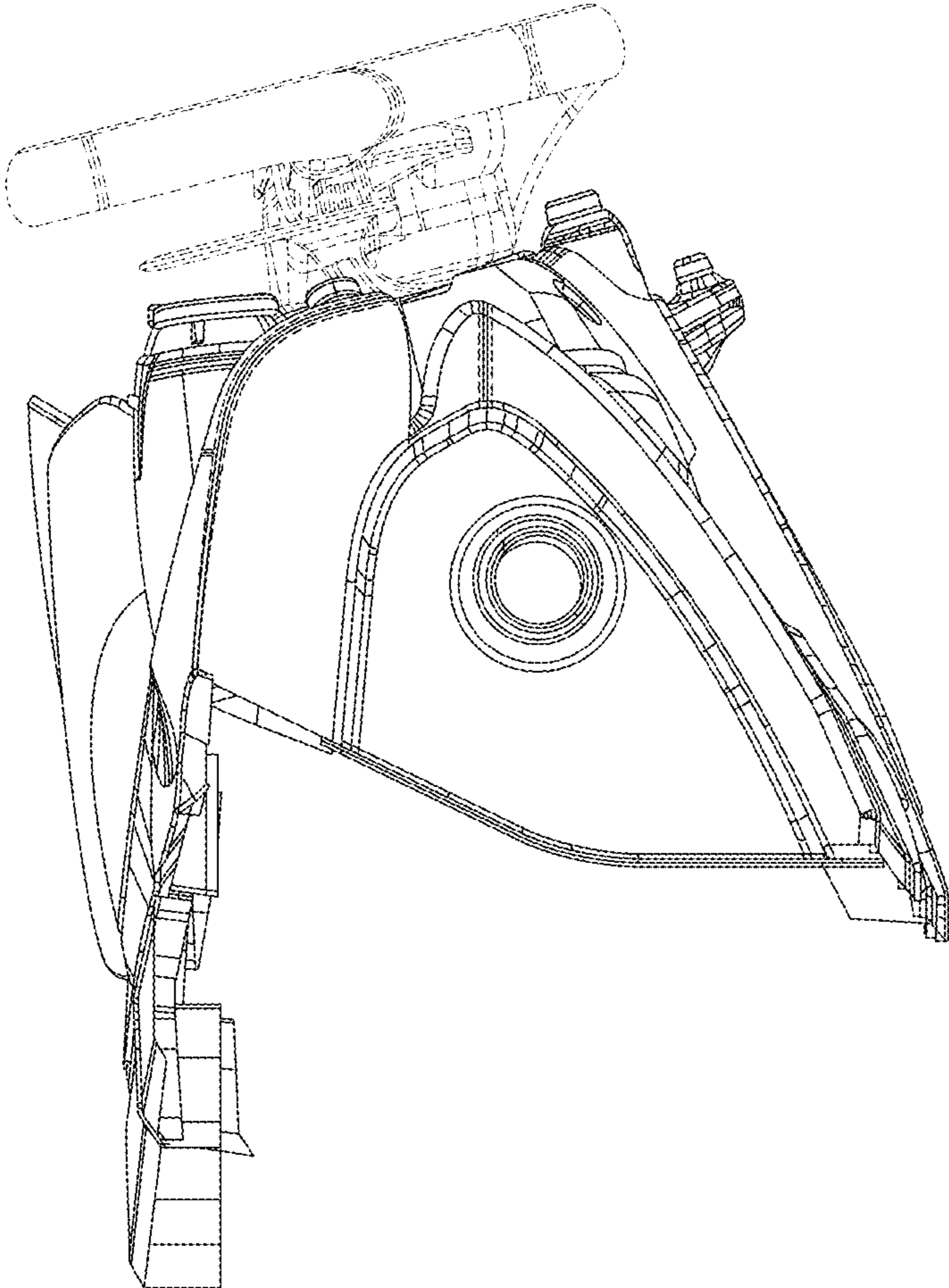


FIG. 6