



US00D837116S

(12) **United States Design Patent**
Hardof

(10) **Patent No.:** **US D837,116 S**
(45) **Date of Patent:** **** Jan. 1, 2019**

- (54) **ADJUSTABLE SUN SHIELD**
- (71) Applicant: **LilGift, LLC**, Paramus, NJ (US)
- (72) Inventor: **Waiquan Hardof**, Nanuet, NY (US)
- (73) Assignee: **LilGift, LLC**, Paramus, NJ (US)
- (**) Term: **15 Years**
- (21) Appl. No.: **29/656,783**
- (22) Filed: **Jul. 16, 2018**

- D335,482 S 5/1993 Warsaw
- 5,265,929 A 11/1993 Pelham
- 5,402,924 A 4/1995 Gilson
- 5,461,191 A 10/1995 Kondo et al.
- 5,478,131 A 12/1995 Marks
- 5,484,183 A 1/1996 Rosa
- 5,564,771 A 10/1996 Chesters
- 5,678,880 A 10/1997 Keller
- 5,730,484 A 3/1998 Robinson
- 6,012,758 A 1/2000 Fisher
- D426,183 S 6/2000 Brooks, II et al.
- 6,224,137 B1 5/2001 Hunker

(Continued)

Primary Examiner — Katrina A Betton
(74) *Attorney, Agent, or Firm* — Fortunato IP Law, LLC

Related U.S. Application Data

- (62) Division of application No. 29/638,988, filed on Mar. 2, 2018.
- (51) **LOC (11) Cl.** **12-16**
- (52) **U.S. Cl.**
USPC **D12/191**
- (58) **Field of Classification Search**
USPC D12/191, 183, 181, 184, 185, 106, 417,
D12/311–312
CPC B60J 3/02; B60J 3/0208
See application file for complete search history.

(57) **CLAIM**

The ornamental design for an adjustable sun shield, as shown and described.

DESCRIPTION

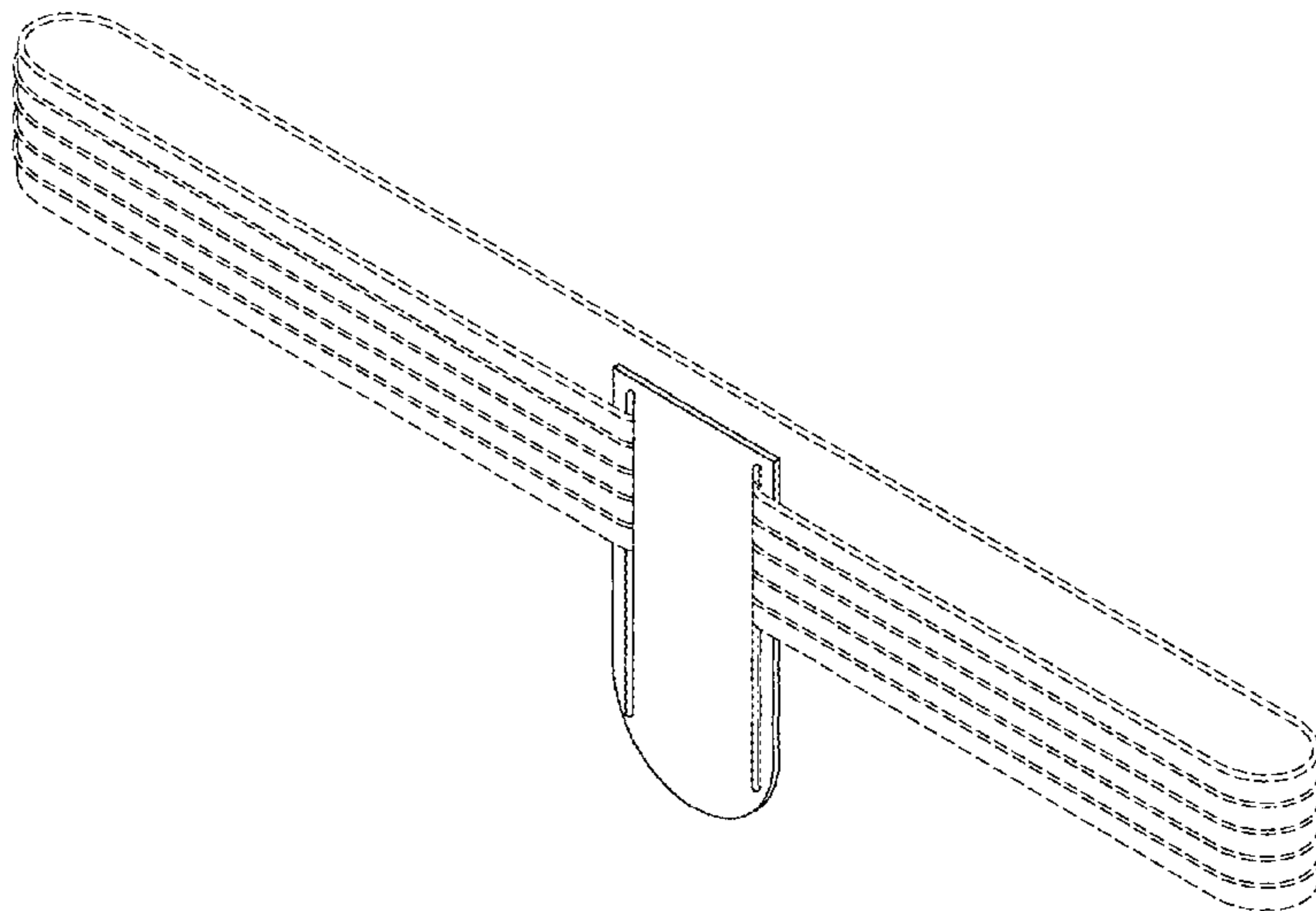
FIG. 1 is a front view of an adjustable sun shield in accordance with the present invention depicting a shield part of the invention in a first position;
 FIG. 2 is a front view of the adjustable sun shield of the present invention depicting a shield part of the invention in a second position;
 FIG. 3 is a right front perspective view of the adjustable sun shield of the present invention;
 FIG. 4 is a top view of the adjustable sun shield of the present invention;
 FIG. 5 is a front view of the adjustable sun shield of the present invention depicted in FIG. 2 without a visor;
 FIG. 6 is a right side view of the adjustable sun shield of the present invention;
 FIG. 7 is a bottom view of the adjustable sun shield of the present invention; and,
 FIG. 8 is a rear view of the adjustable sun shield of the present invention.

(56) **References Cited**

U.S. PATENT DOCUMENTS

- 2,894,576 A 7/1959 Williams
- 3,208,792 A 9/1965 Martin
- D204,248 S 4/1966 Fritz
- 3,336,073 A 8/1967 Berger
- 3,428,360 A 2/1969 Honor, Sr.
- 3,462,867 A 8/1969 Pinkman et al.
- 3,522,968 A 8/1970 Honor, Sr.
- 3,877,745 A 4/1975 Girard
- 3,948,554 A 4/1976 Barbee
- 3,961,820 A 6/1976 Spangler
- 4,978,160 A 12/1990 Welschoff
- 5,015,027 A 5/1991 Rifaat
- 5,165,748 A 11/1992 O'Conner

1 Claim, 6 Drawing Sheets



(56)

References Cited

U.S. PATENT DOCUMENTS

| | | | | |
|--------------|------|---------|----------------------|-------------------------|
| D445,744 | S | 7/2001 | Hsing | |
| 6,296,293 | B1 | 10/2001 | Peterson et al. | |
| 6,325,442 | B1 | 12/2001 | Hunker | |
| D476,609 | S | 7/2003 | Gibson | |
| D501,655 | S | 2/2005 | Tuccinardi | |
| 6,981,733 | B1 | 1/2006 | Driscoll | |
| D524,206 | S | 7/2006 | Hohney | |
| D526,259 | S | 8/2006 | Votz | |
| D558,655 | S | 1/2008 | Kawamata | |
| 7,897,122 | B2 | 3/2011 | Tsotsis et al. | |
| 8,226,149 | B2 | 7/2012 | Brule | |
| D740,189 | S * | 10/2015 | Lopez-Ross | D12/191 |
| D740,190 | S * | 10/2015 | Spencer | D12/191 |
| D741,764 | S * | 10/2015 | Levi | D12/191 |
| D762,539 | S | 8/2016 | Marcus | |
| D764,989 | S * | 8/2016 | Marcus | D12/191 |
| D789,855 | S | 6/2017 | Amante-Muniz | |
| D797,628 | S * | 9/2017 | Lee | D12/191 |
| D797,629 | S * | 9/2017 | Abruzzio | D12/191 |
| D808,318 | S | 1/2018 | Amante-Muniz | |
| D826,812 | S * | 8/2018 | Von Holzhausen | D12/191 |
| 2004/0217621 | A1 | 11/2004 | McCoy | |
| 2009/0302634 | A1 | 12/2009 | Suzuki | |
| 2015/0084364 | A1 * | 3/2015 | Cha | B60J 3/0278 296/97.5 |

* cited by examiner

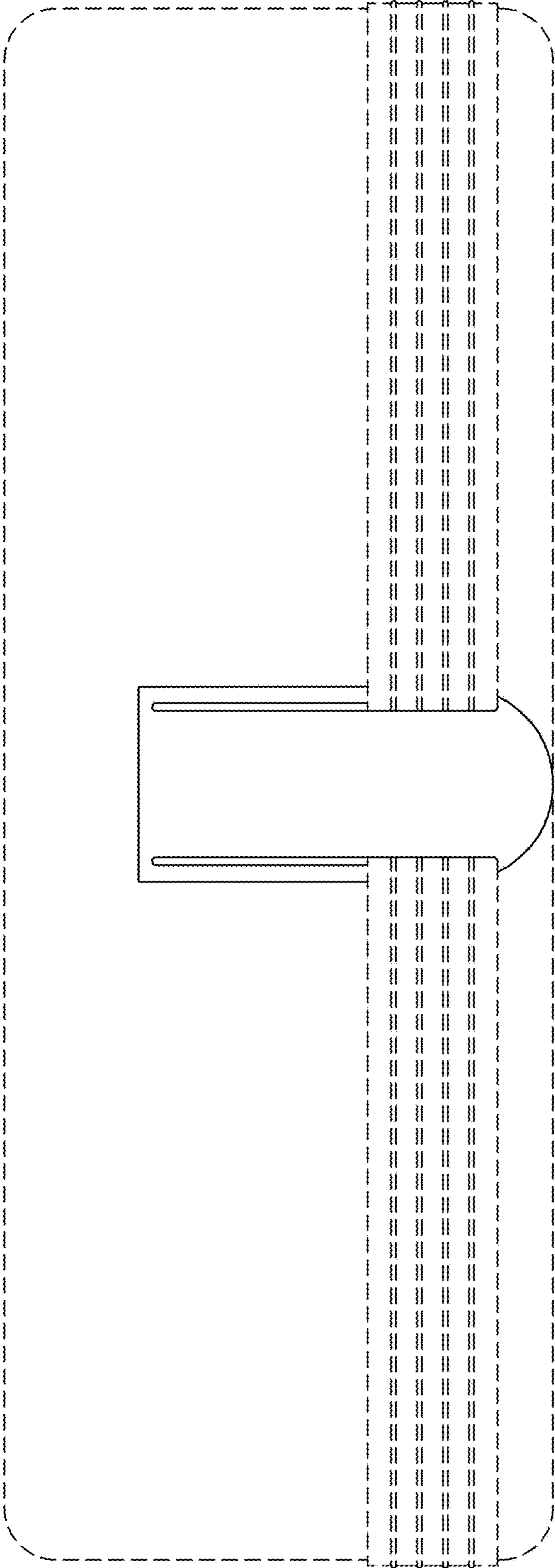


FIG. 1

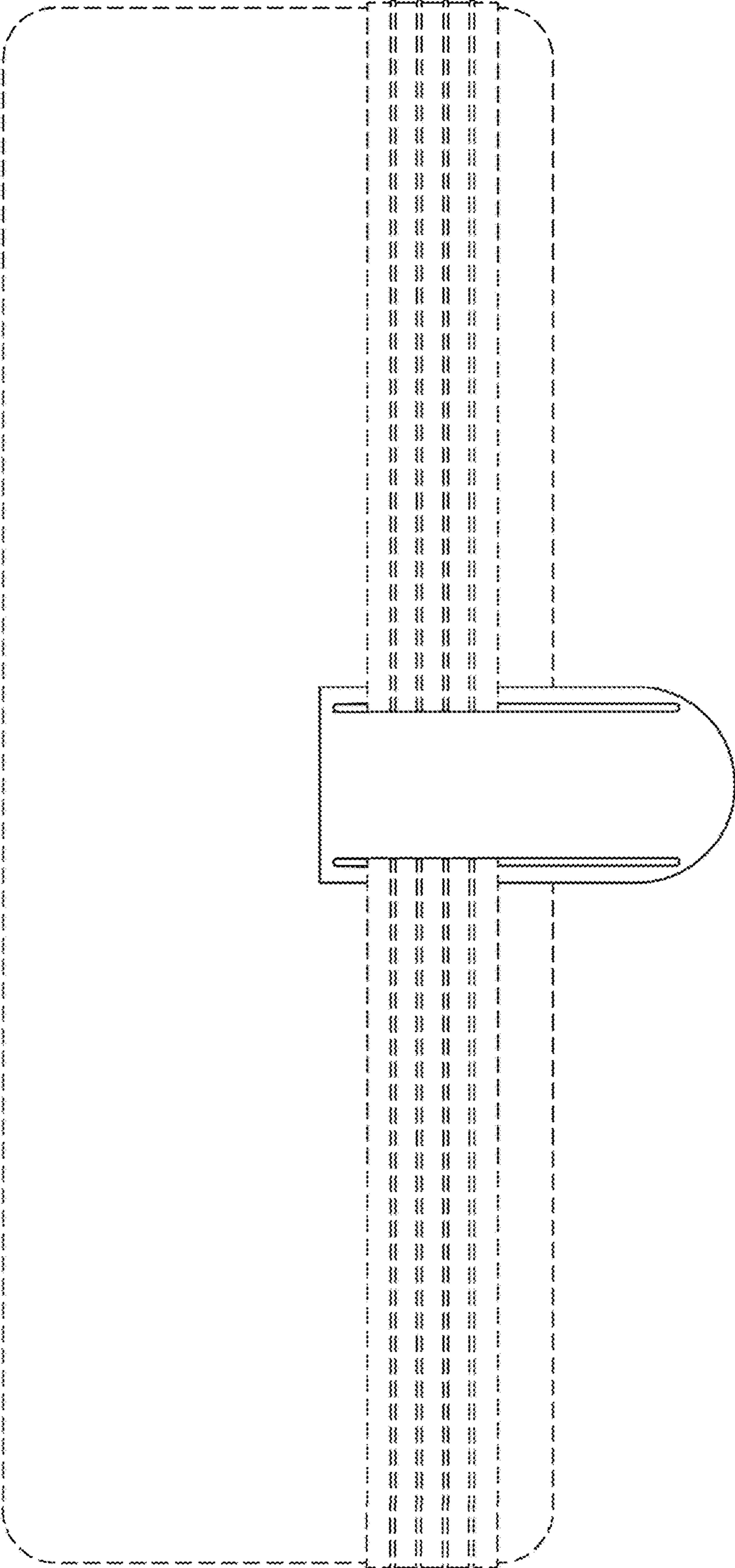


FIG. 2

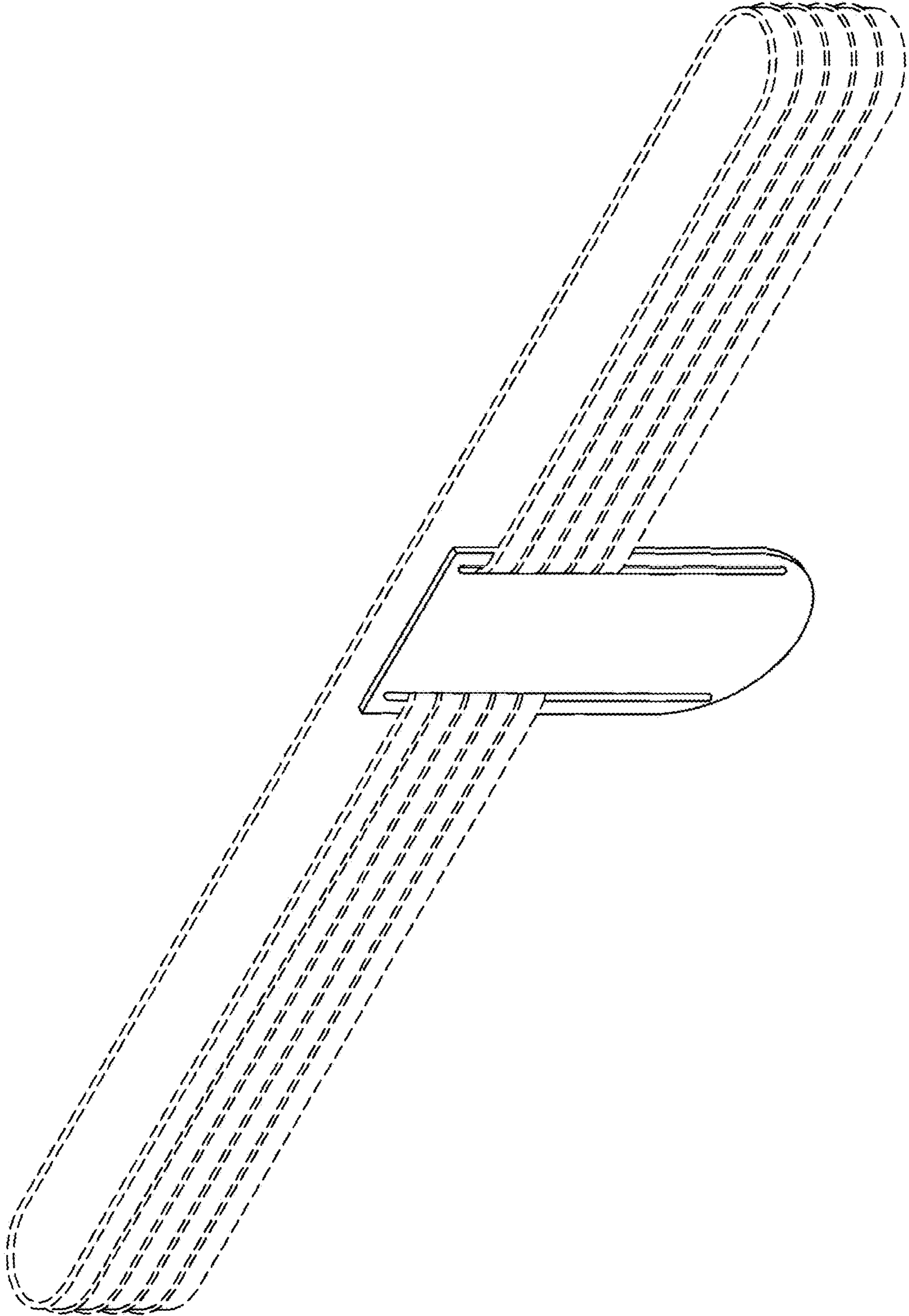


FIG. 3



FIG. 4

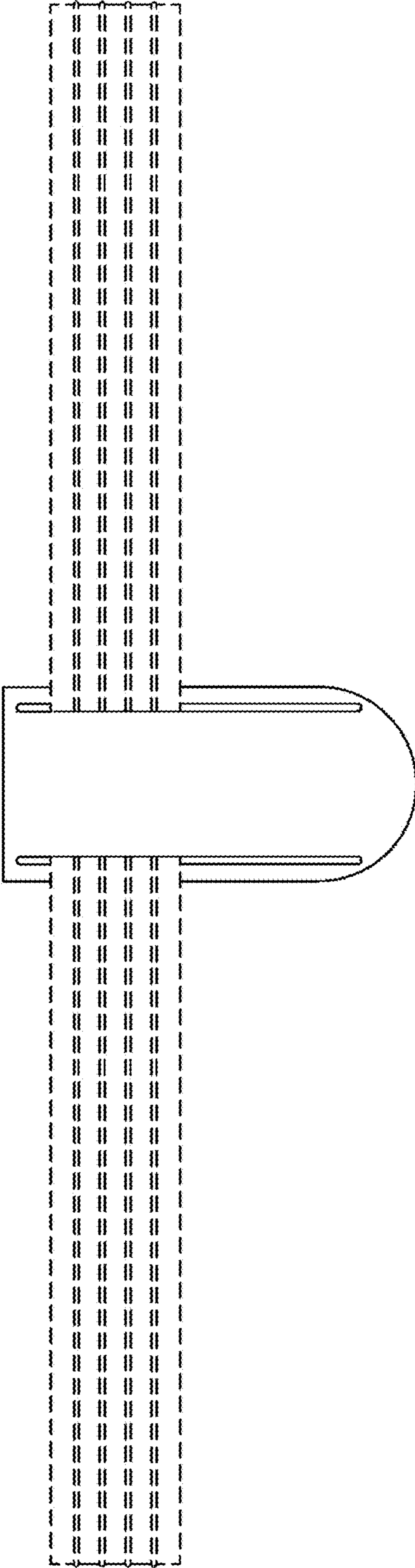


FIG. 5



FIG. 6

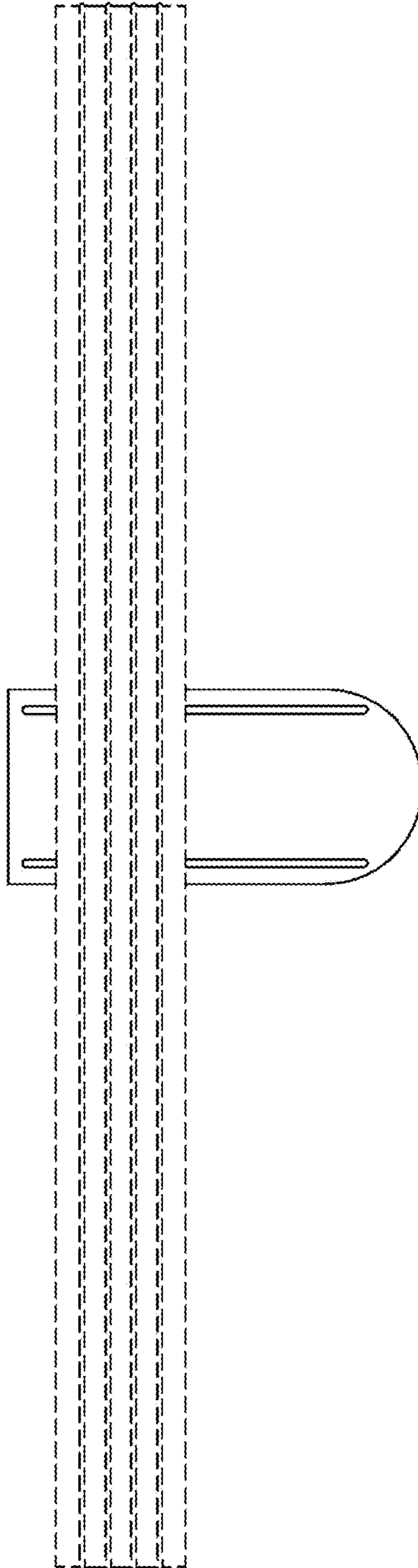


FIG. 7



FIG. 8