



US00D837101S

(12) **United States Design Patent** (10) **Patent No.:** **US D837,101 S**  
**Holl** (45) **Date of Patent:** **\*\* Jan. 1, 2019**

(54) **GRINDING MACHINE**

(56) **References Cited**

(71) Applicant: **NETZSCH-Feinmahltechnik GmbH,**  
Selb (DE)

U.S. PATENT DOCUMENTS

(72) Inventor: **Karl-Ludwig Holl,** Bamberg (DE)

3,017,727 A \* 1/1962 Georg ..... B24B 3/36  
451/226

(73) Assignee: **NETZSCH-Feinmahltechnik GmbH,**  
Selb (DE)

4,729,192 A \* 3/1988 Elsdorfer ..... B24B 41/06  
409/146

(\*\*) Term: **15 Years**

5,961,379 A \* 10/1999 Uchida ..... B23Q 1/4804  
294/91

(21) Appl. No.: **29/603,831**

6,010,394 A \* 1/2000 Dieck ..... B24B 3/00  
451/141

(22) Filed: **May 12, 2017**

D459,370 S \* 6/2002 Beadel ..... D15/124

D530,728 S \* 10/2006 Liao ..... D15/124

D558,801 S \* 1/2008 Chen ..... D15/125

D585,914 S \* 2/2009 Hart ..... D15/124

D673,591 S \* 1/2013 Surowaniec ..... D15/124

D673,985 S \* 1/2013 Surowaniec ..... D15/124

D719,989 S \* 12/2014 St. Laurent ..... D15/124

D724,634 S \* 3/2015 St. Laurent ..... D15/124

\* cited by examiner

**Related U.S. Application Data**

(62) Division of application No. 35/500,791, filed on Oct. 8, 2015 (U.S. filing date under 35 U.S.C. 384), and having an international filing date of Oct. 8, 2015, now Pat. No. Des. 812,655.

*Primary Examiner* — Richard E Chilcot

(74) *Attorney, Agent, or Firm* — Whitmyer IP Group LLC

**Foreign Application Priority Data**

Apr. 10, 2015 (DE) ..... 40 2015 100 326

(57) **CLAIM**

The ornamental design for a grinding machine, as shown and described.

(51) **LOC (11) Cl.** ..... **15-09**

(52) **U.S. Cl.**  
USPC ..... **D12/124**

(58) **Field of Classification Search**  
USPC ..... D15/122–126; 15/88.3, 102, 256.51;  
451/63, 72, 254, 258–262, 283–291, 359,  
451/446, 451–460

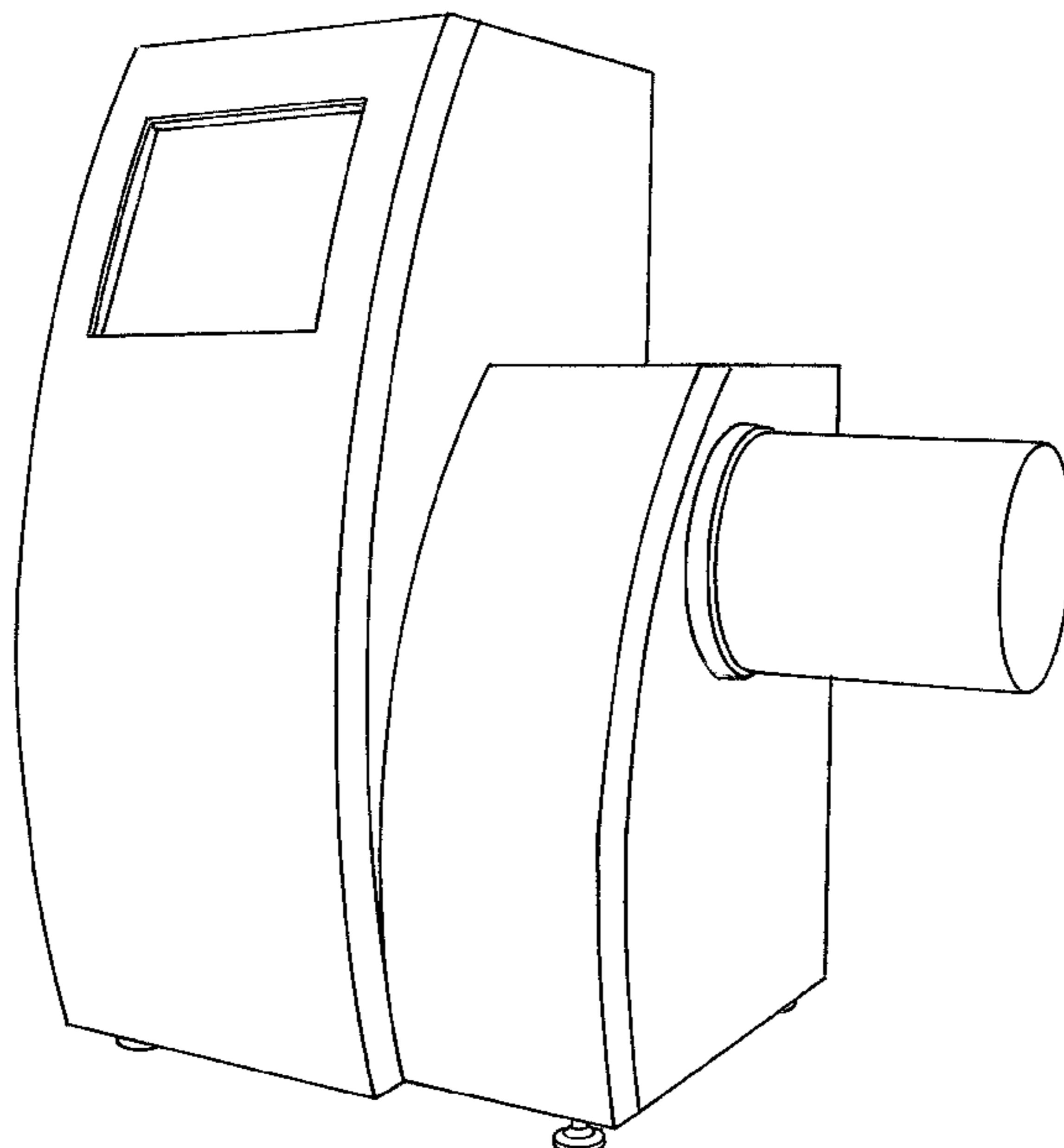
CPC .... B24B 5/00; B24B 7/00; B24B 9/00; B24B  
11/00; B24B 13/00; B24B 19/00

See application file for complete search history.

**DESCRIPTION**

FIG. 2.1 is a front, left side perspective view of a grinding machine in accordance with the new design;  
FIG. 2.2 is a front, right side perspective view thereof;  
FIG. 2.3 is a rear, right side perspective view thereof;  
FIG. 2.4 is a rear, left side perspective view thereof;  
FIG. 2.5 is a right side elevational view thereof;  
FIG. 2.6 is a front elevational view thereof;  
FIG. 2.7 is a left side elevational view thereof; and,  
FIG. 2.8 is a rear elevational view thereof.

**1 Claim, 8 Drawing Sheets**



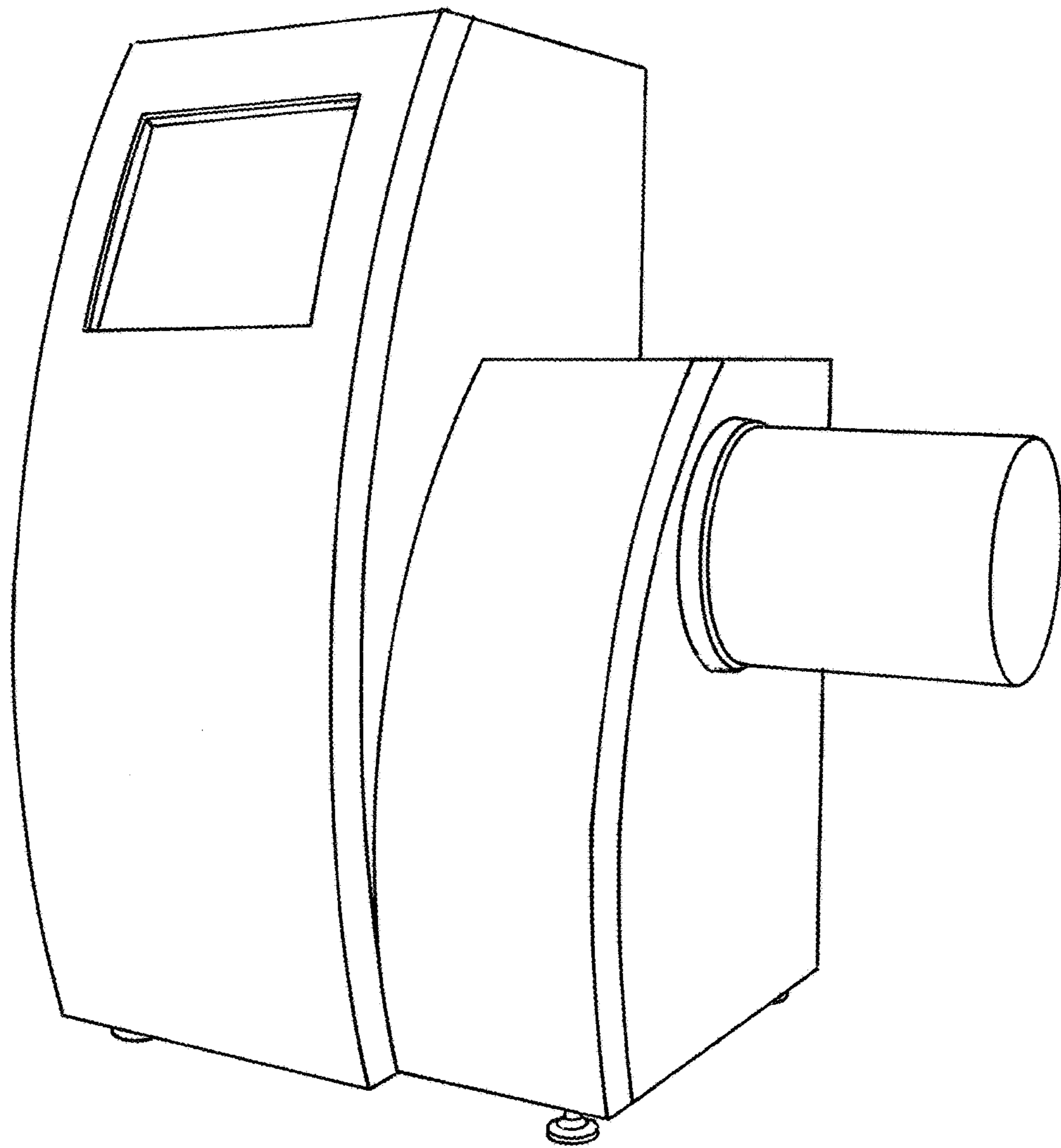


FIG. 2.1

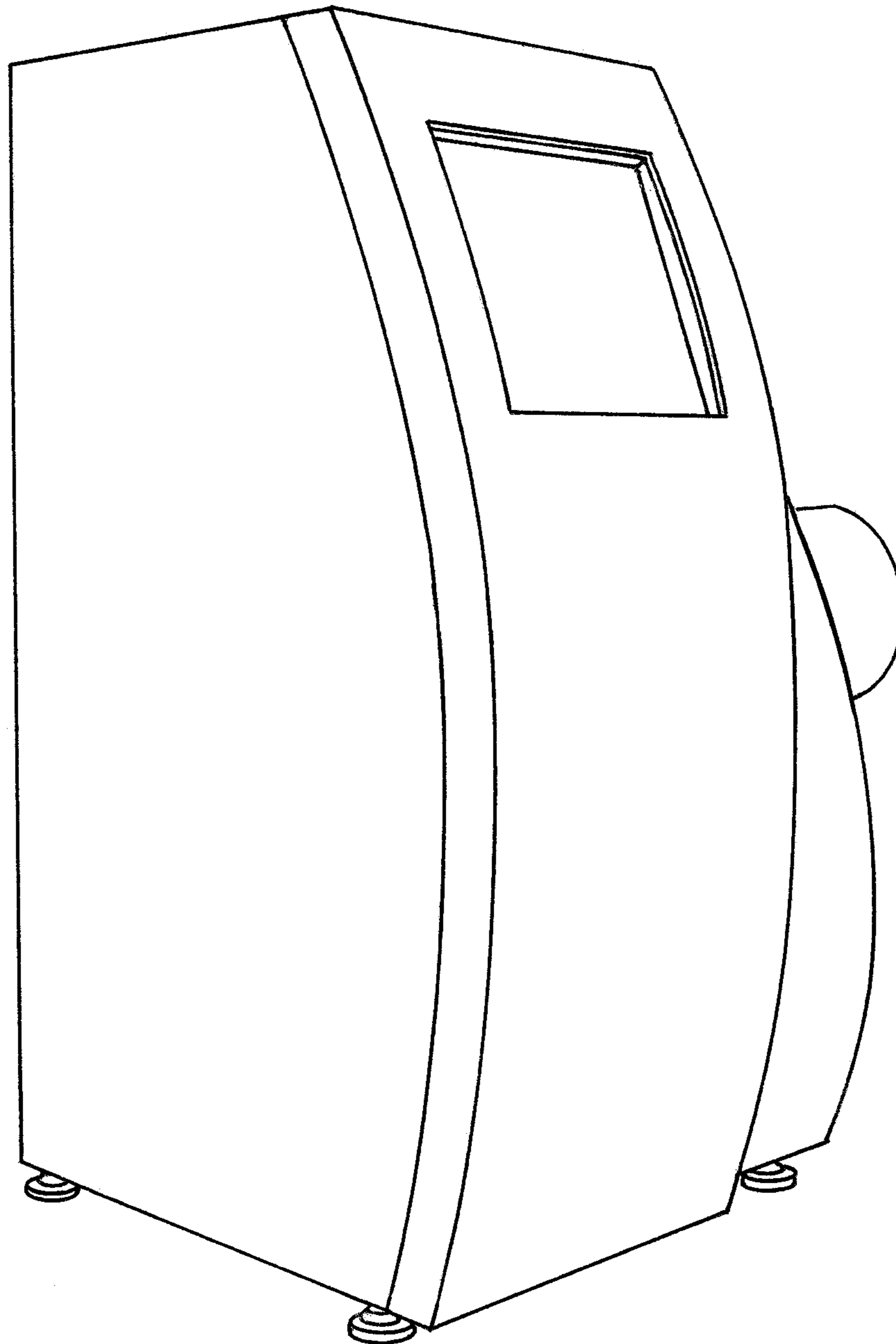


FIG. 2.2

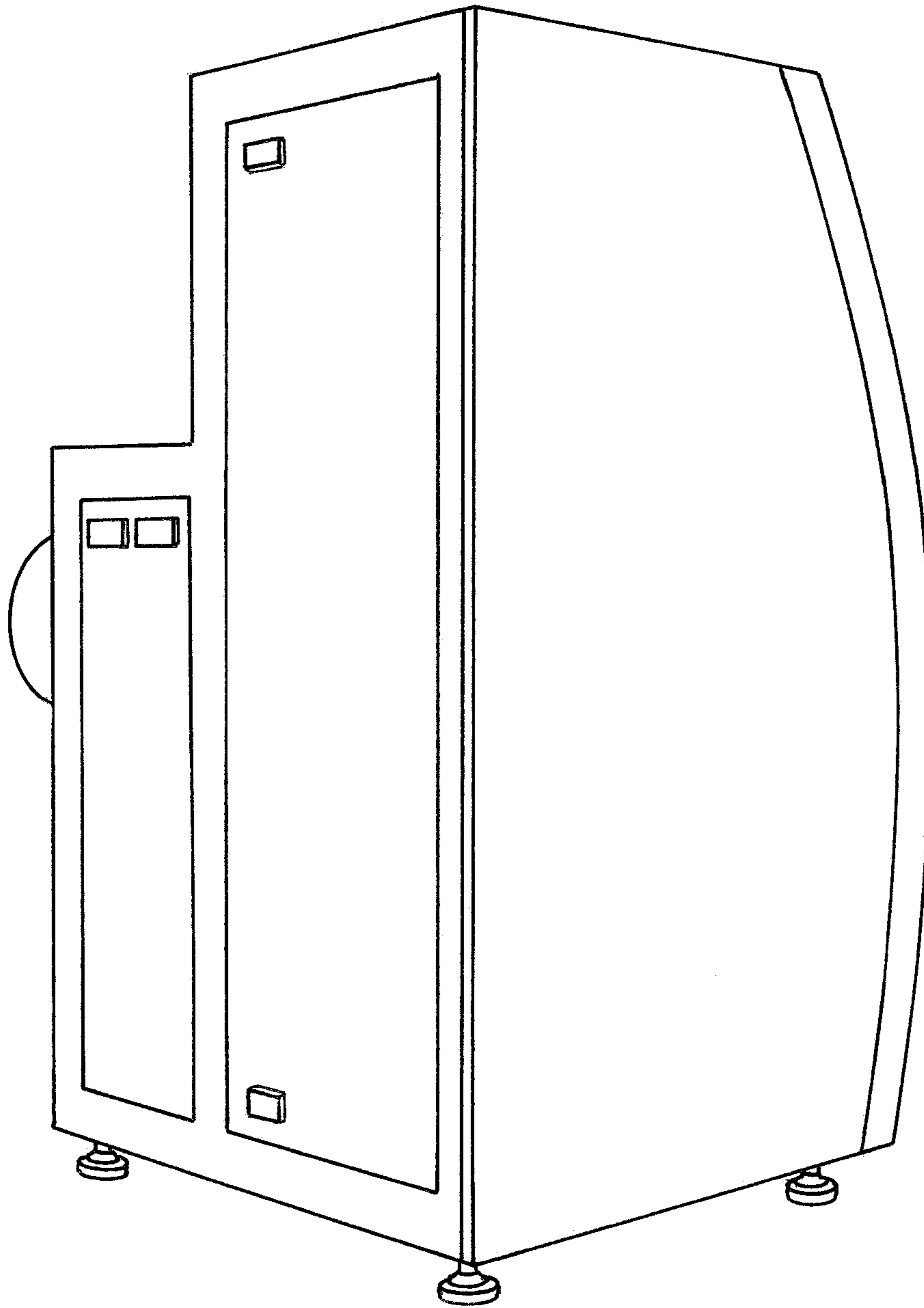


FIG. 2.3

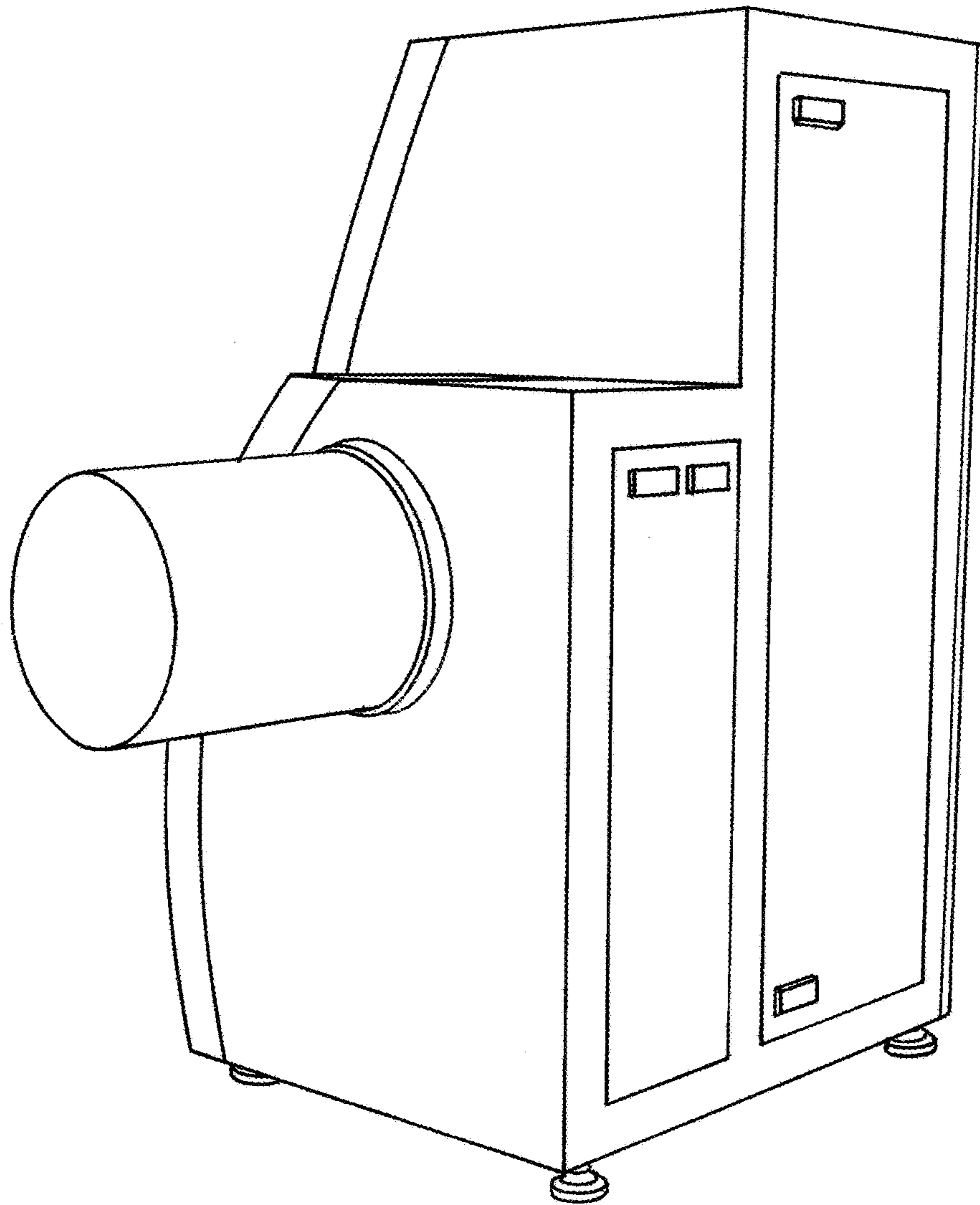


FIG. 2.4

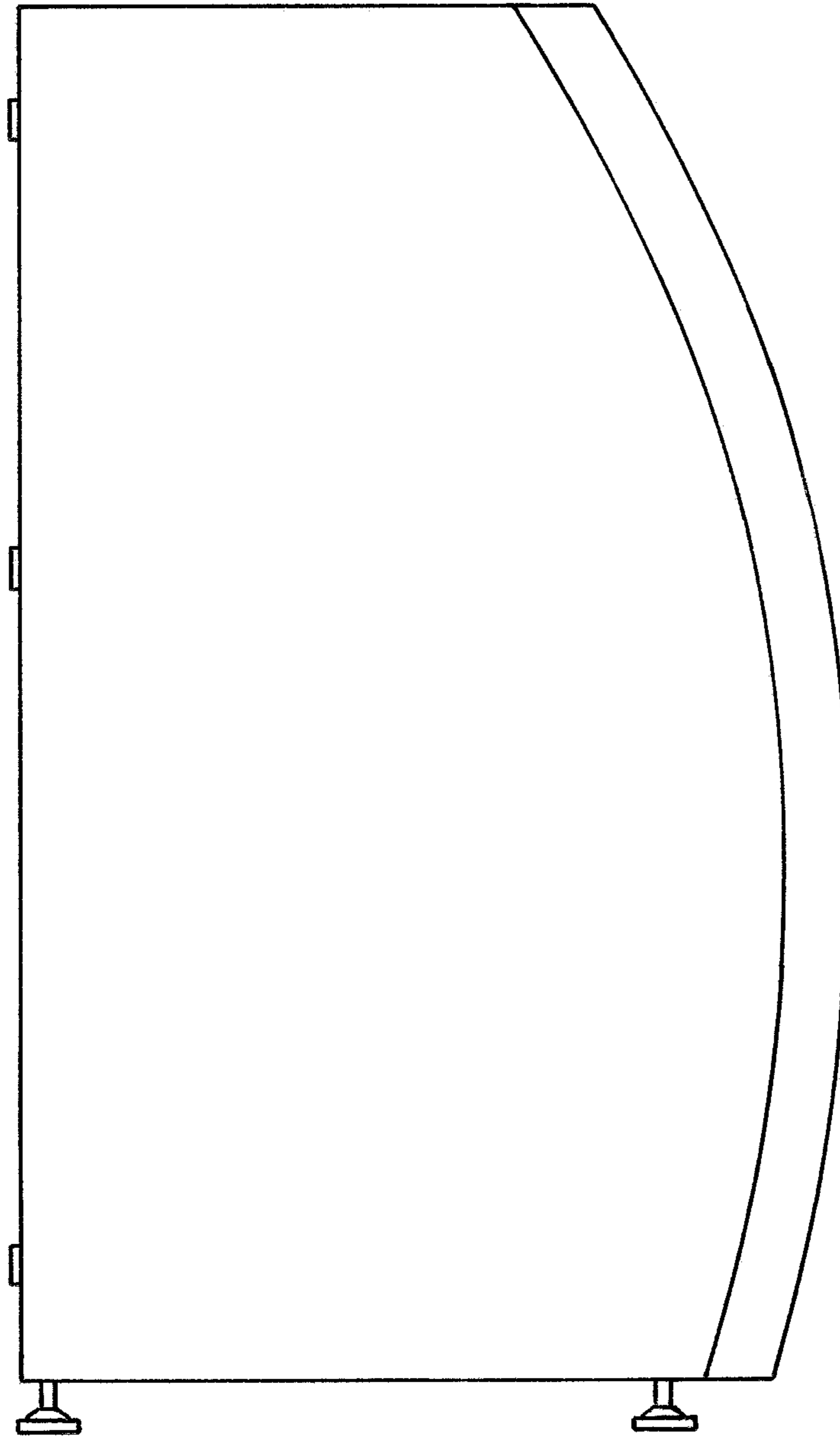


FIG. 2.5

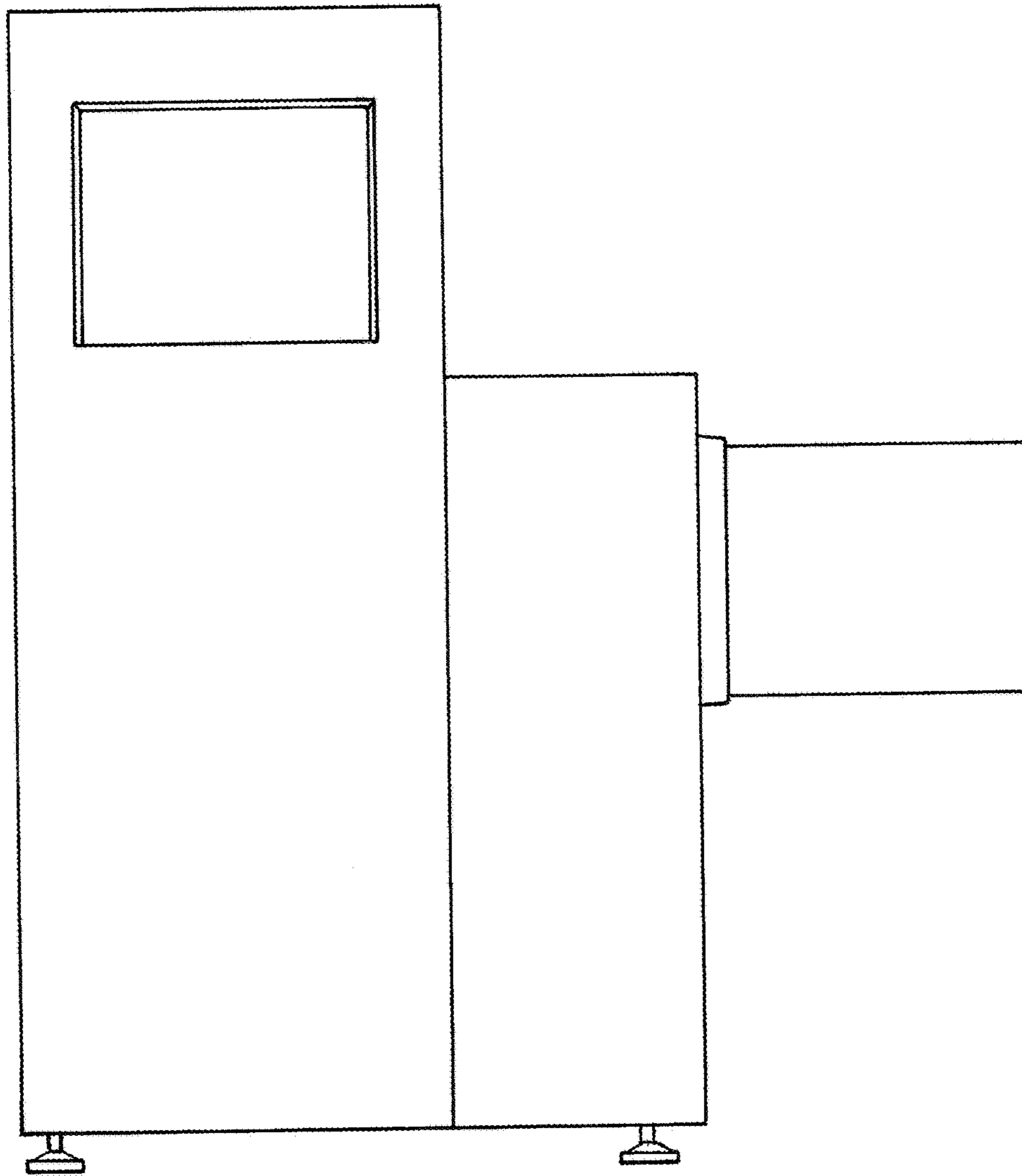


FIG. 2.6

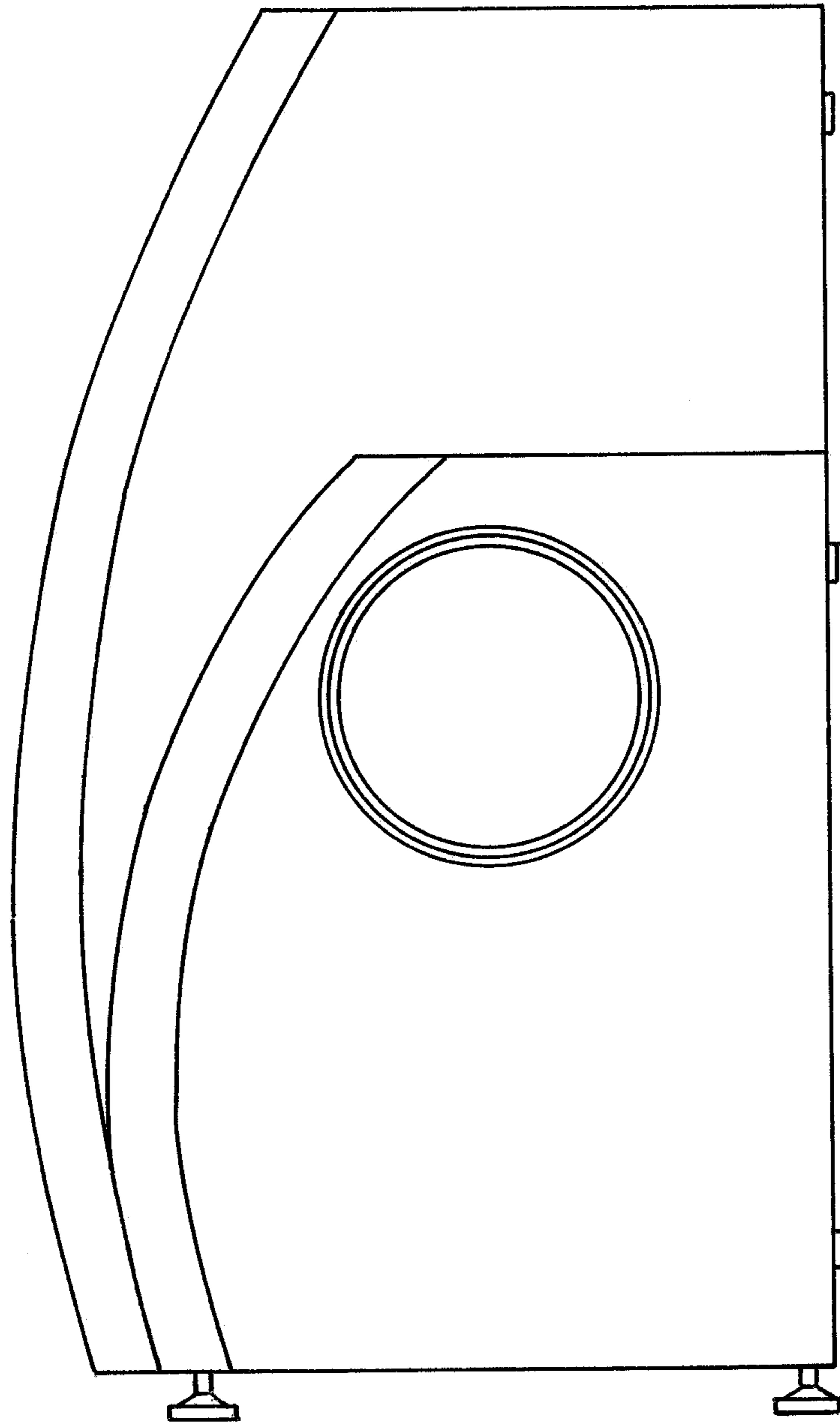


FIG. 2.7



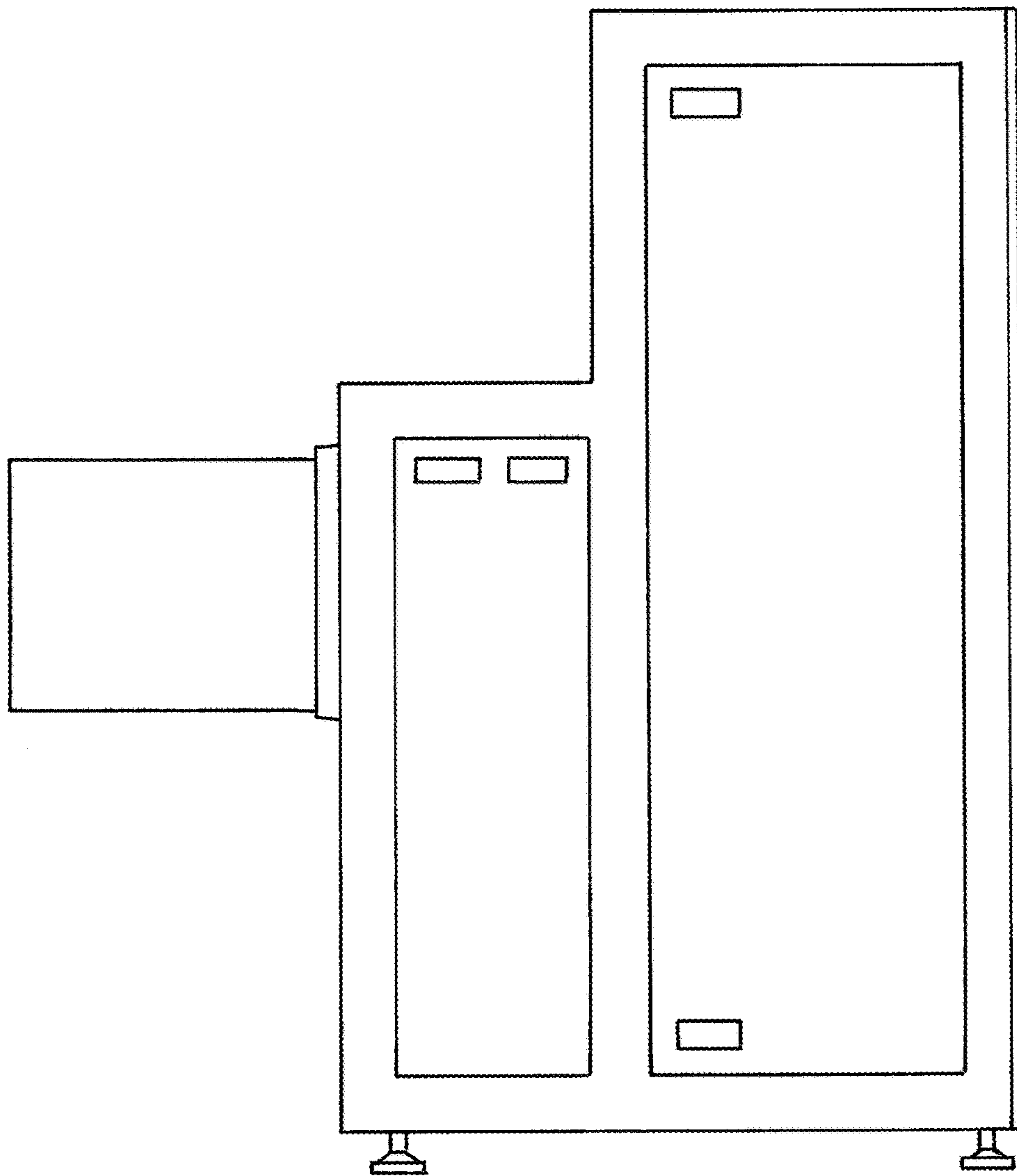


FIG. 2.8