



US00D837100S

(12) **United States Design Patent** (10) **Patent No.:** **US D837,100 S**
Jang (45) **Date of Patent:** **** Jan. 1, 2019**

(54) **SMARTPHONE MOUNT FOR BICYCLE**
(71) Applicant: **AAUXX KOREA Co., LTD.**, Seoul (KR)
(72) Inventor: **Jintae Jang**, Seoul (KR)
(73) Assignee: **AAUXX KOREA Co., LTD.**, Seoul (KR)
(**) Term: **15 Years**

(21) Appl. No.: **29/621,559**

(22) Filed: **Oct. 9, 2017**

(51) **LOC (11) Cl.** **12-11**

(52) **U.S. Cl.**
USPC **D12/114**

(58) **Field of Classification Search**
USPC D12/114, 111, 178, 400, 415; D14/432, D14/443, 447
CPC B62M 6/45; B62M 6/50; B62J 2099/0013; B62J 2099/002; B62J 2099/004; B62J 2099/0026
See application file for complete search history.

(56) **References Cited**

U.S. PATENT DOCUMENTS

D535,988 S *	1/2007	Kettula	D14/253
D560,592 S *	1/2008	Brassard	D12/415
D566,118 S *	4/2008	Brassard	D14/434
D566,648 S *	4/2008	Lee	B62J 11/00
				D12/415
D573,524 S *	7/2008	Smith	D12/223
D581,344 S *	11/2008	Richter	D12/415
D652,779 S *	1/2012	Richter	D12/223
D654,120 S *	2/2012	Lin	D14/434
D684,980 S *	6/2013	Chun	D14/447
D685,687 S *	7/2013	Richter	D12/114

D696,259 S *	12/2013	Howarth	D14/447
D704,199 S *	5/2014	Byun	D14/447
D719,490 S *	12/2014	Hoff	D12/114
D732,013 S *	6/2015	Aspinall	D14/253
D747,225 S *	1/2016	Decook	D10/60
D750,612 S *	3/2016	Chen	D14/253
D752,571 S *	3/2016	Richter	D14/253
D753,126 S *	4/2016	Alesi	D14/447
D765,646 S *	9/2016	Deng	D12/415
D772,218 S *	11/2016	Alesi	D14/253
D807,893 S *	1/2018	Nelson	D14/447
2007/0284500 A1 *	12/2007	Fan	B60R 11/02
				248/346.06
2010/0320341 A1 *	12/2010	Baumann	B60R 11/0241
				248/206.2

* cited by examiner

Primary Examiner — Michelle E. Wilson

Assistant Examiner — Clese Moore, Jr.

(74) *Attorney, Agent, or Firm* — Revolution IP, PLLC

(57) **CLAIM**

The ornamental design for a smartphone mount for bicycle, as shown and described.

DESCRIPTION

FIG. 1 is a perspective view of smartphone mount for bicycle showing my new design;
FIG. 2 is a front view thereof;
FIG. 3 is a rear view thereof;
FIG. 4 is a left side view thereof;
FIG. 5 is a right side view thereof;
FIG. 6 is a top view thereof;
FIG. 7 is a bottom view thereof; and,
FIG. 8 is a perspective view thereof in a different position. The broken lines shown illustrate portions of the smartphone mount for bicycle that form no part of the claimed design.

1 Claim, 6 Drawing Sheets

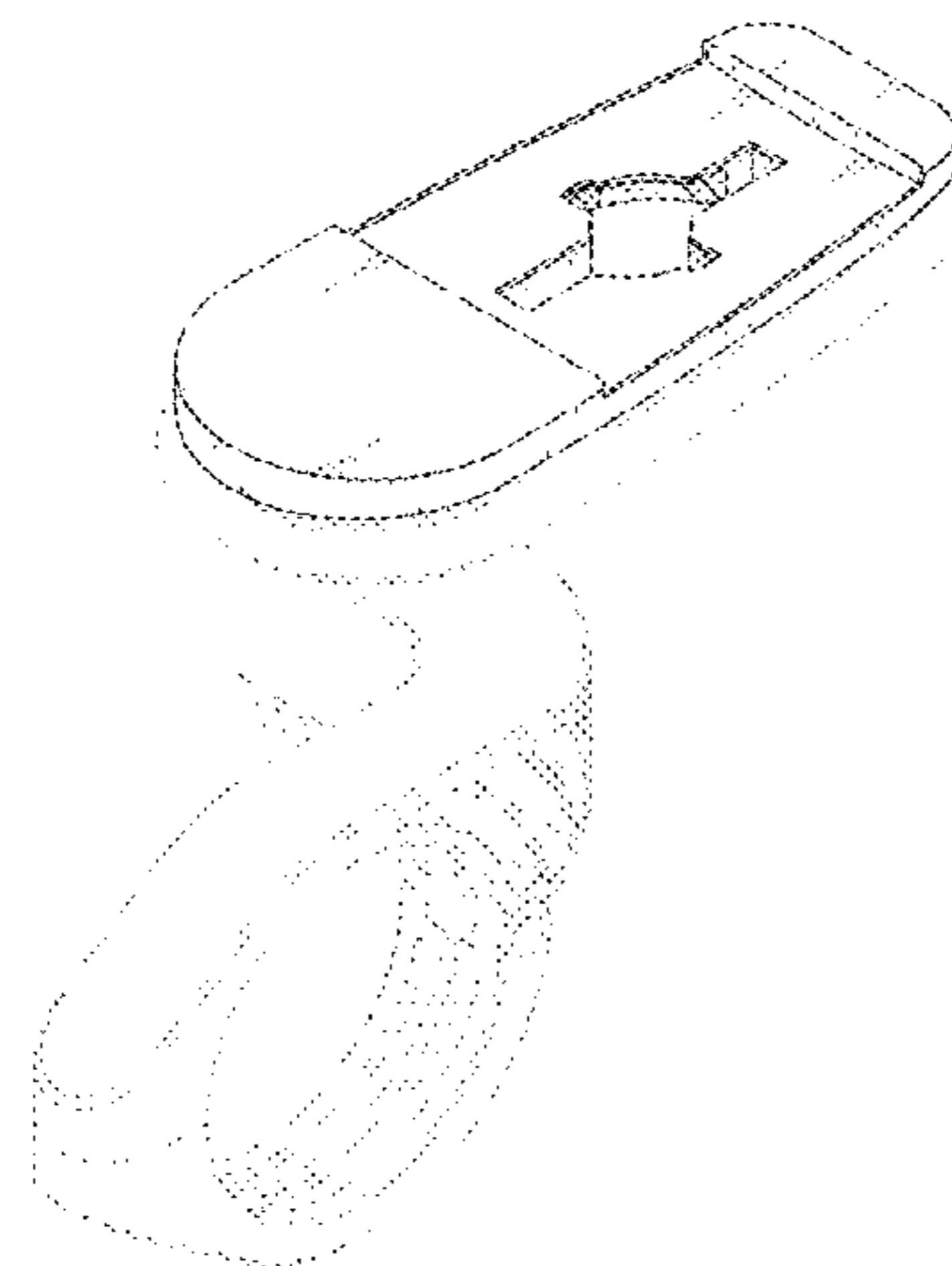


FIG. 1

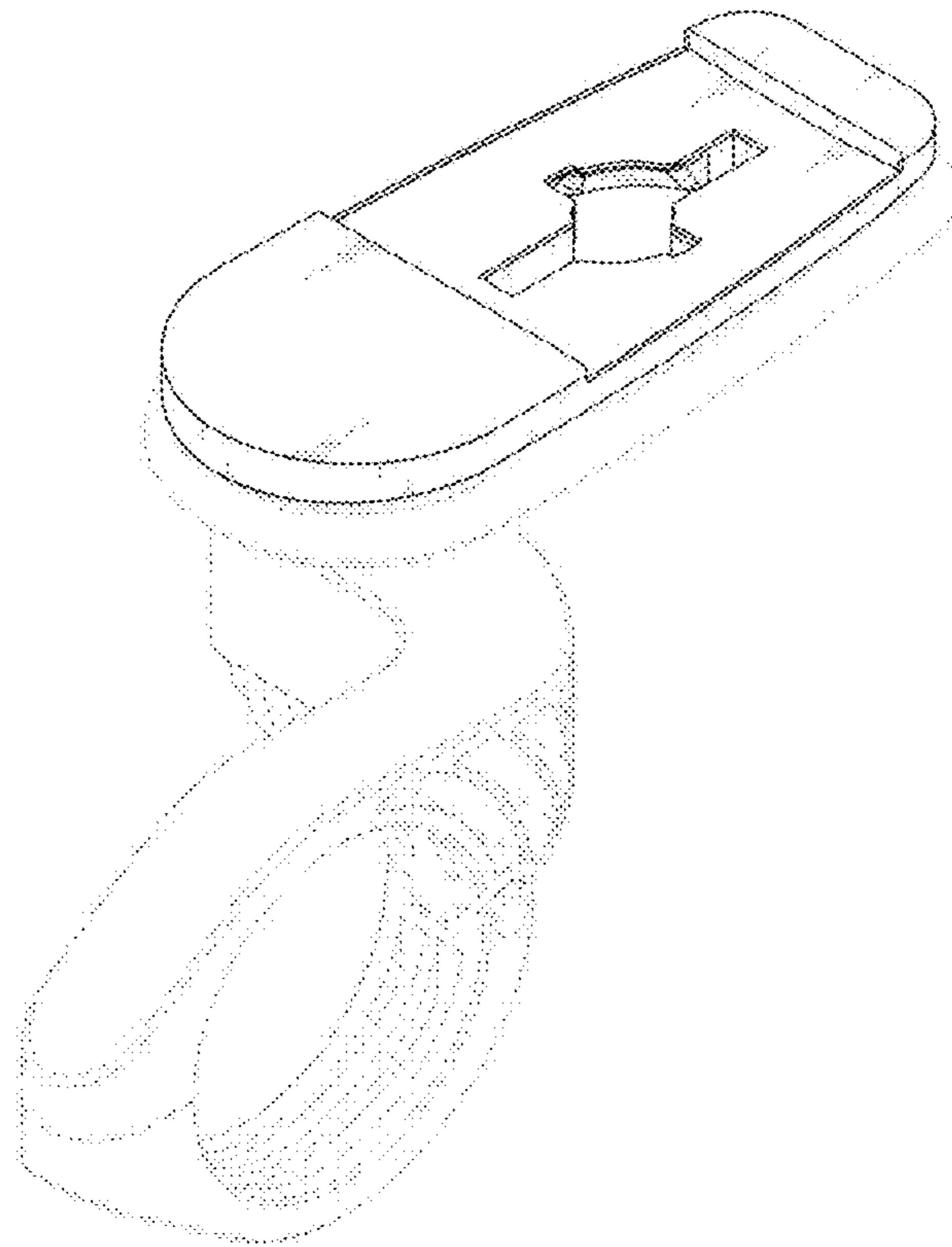


FIG. 2

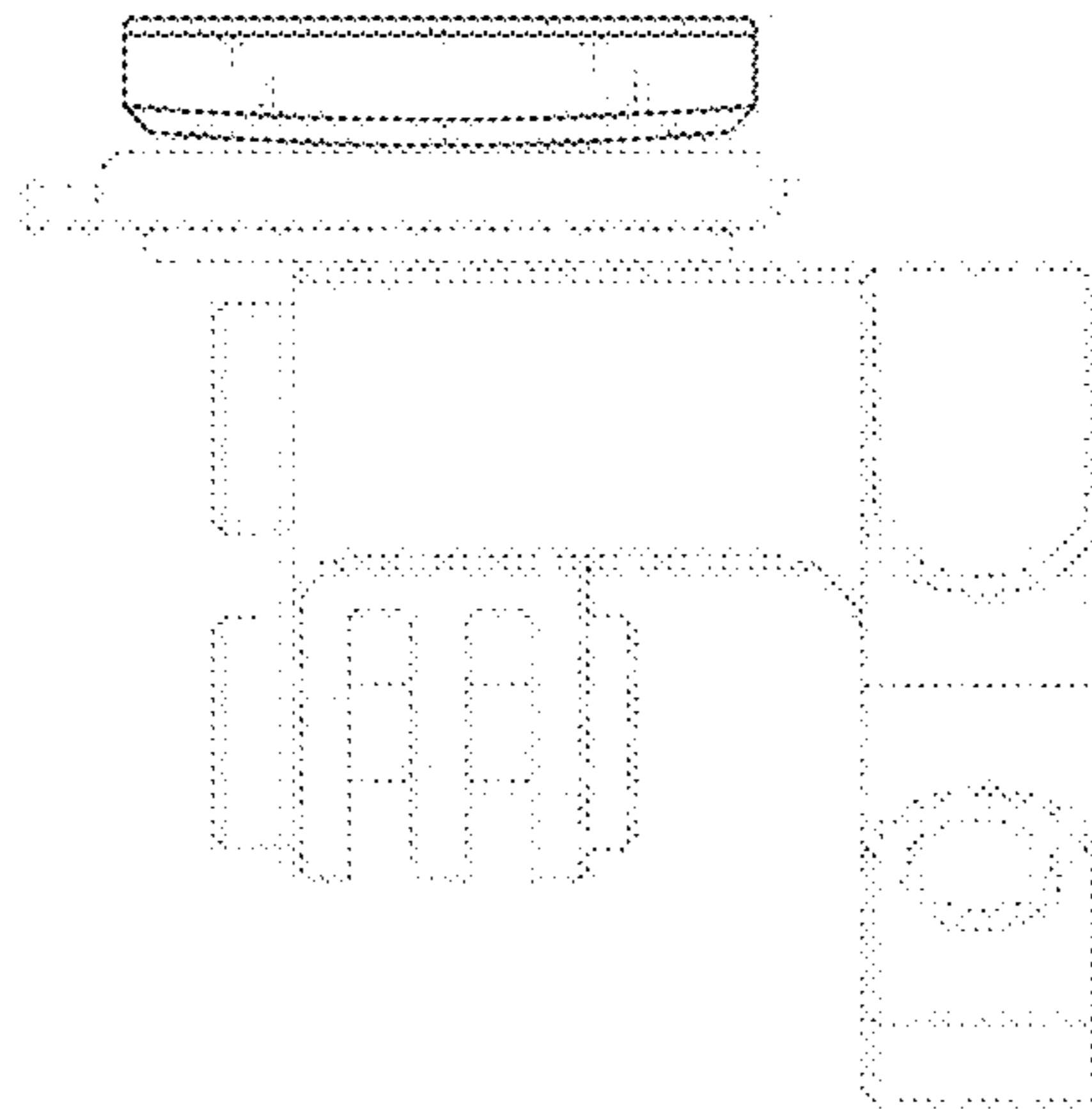


FIG. 3

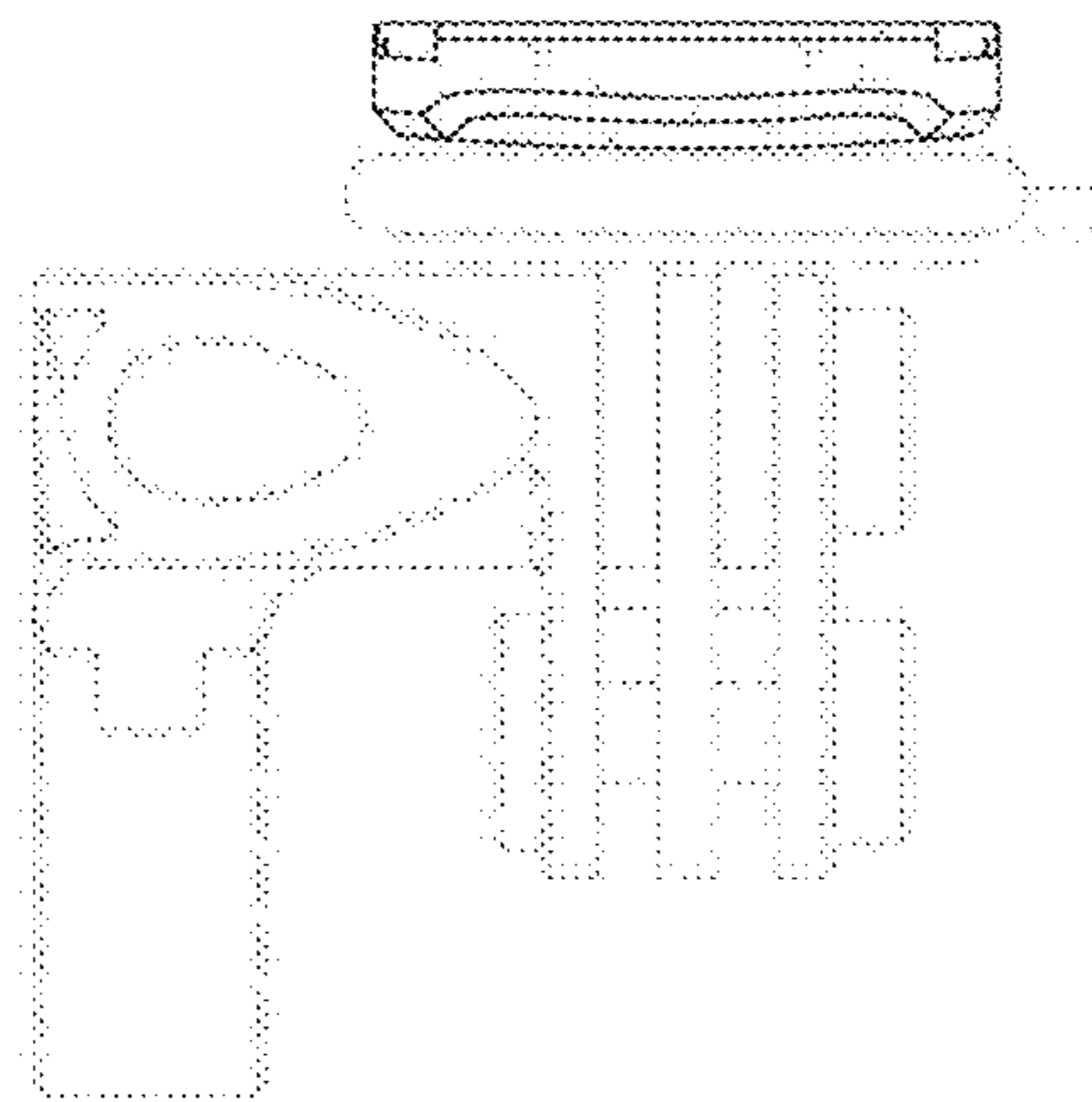


FIG. 4

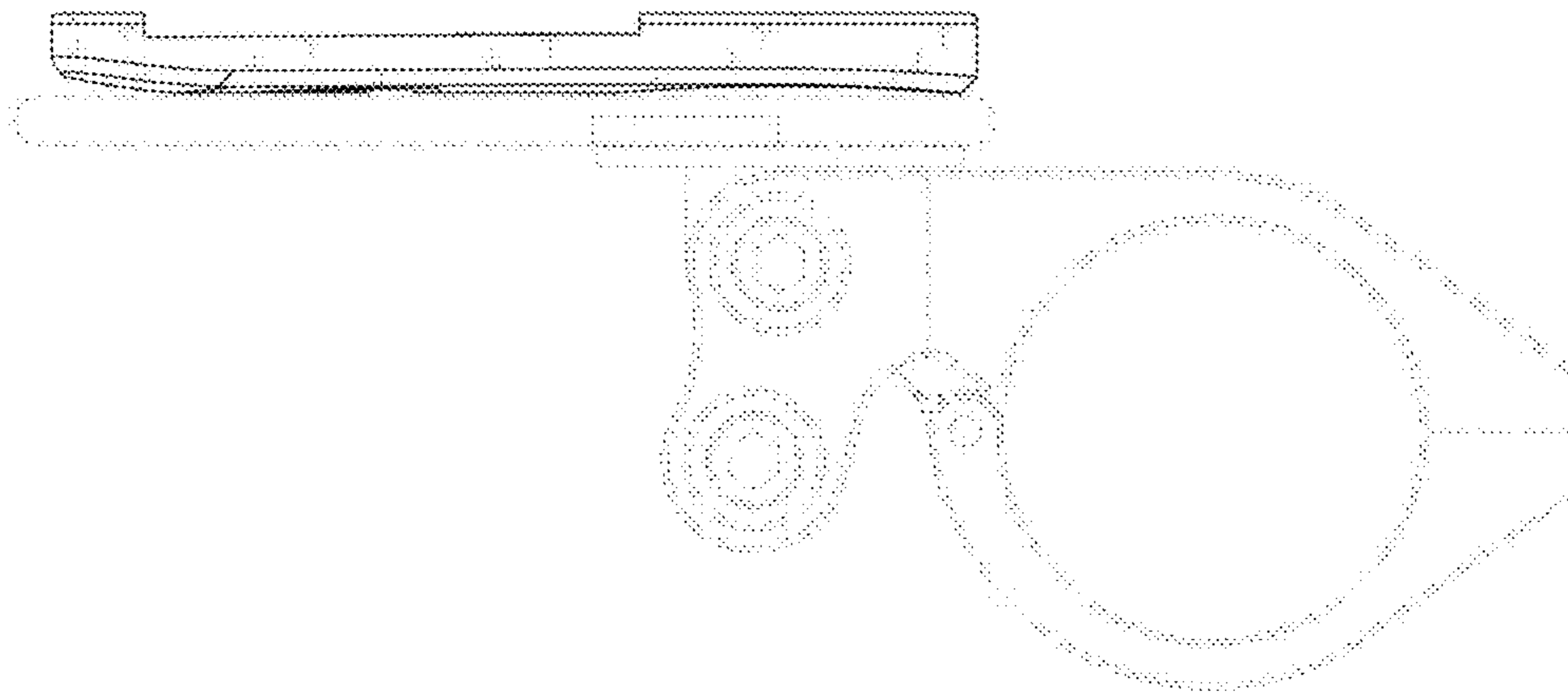


FIG. 5

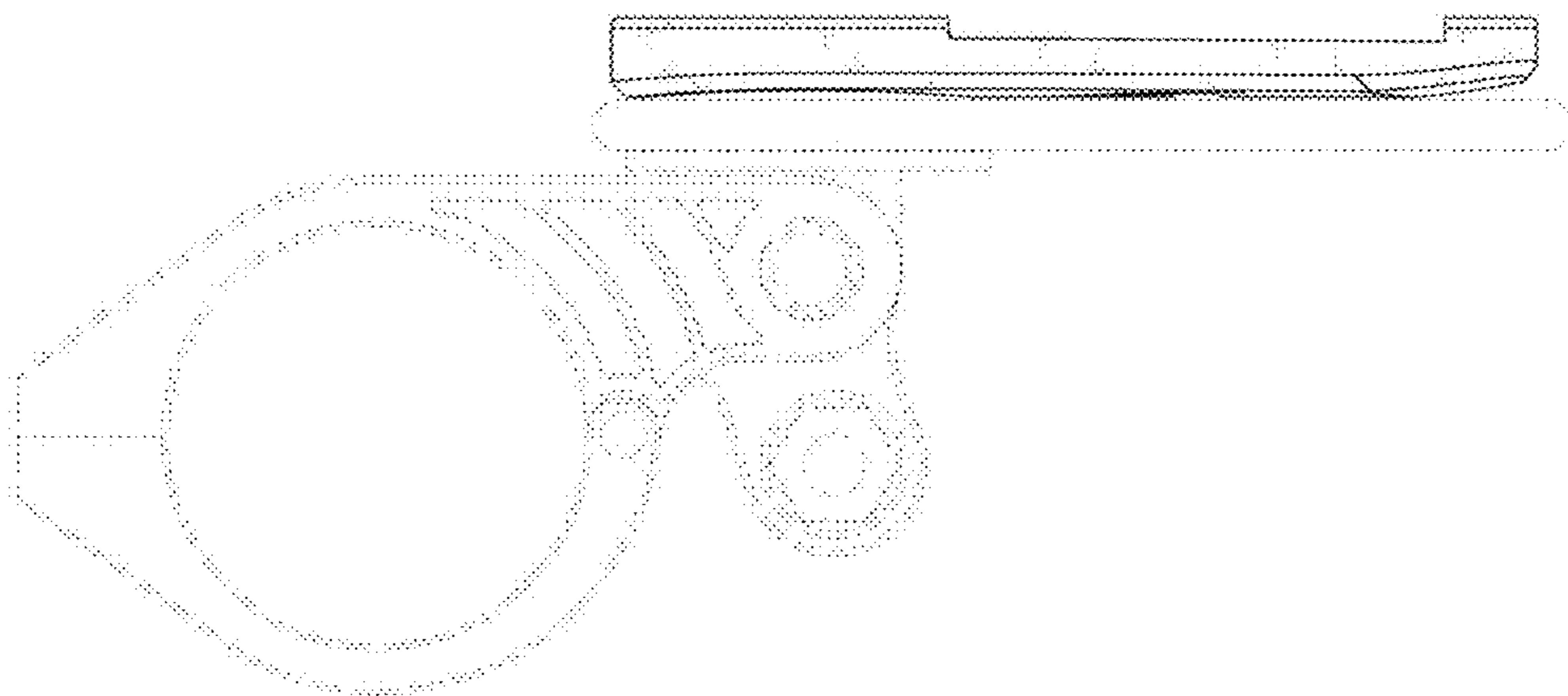


FIG. 6

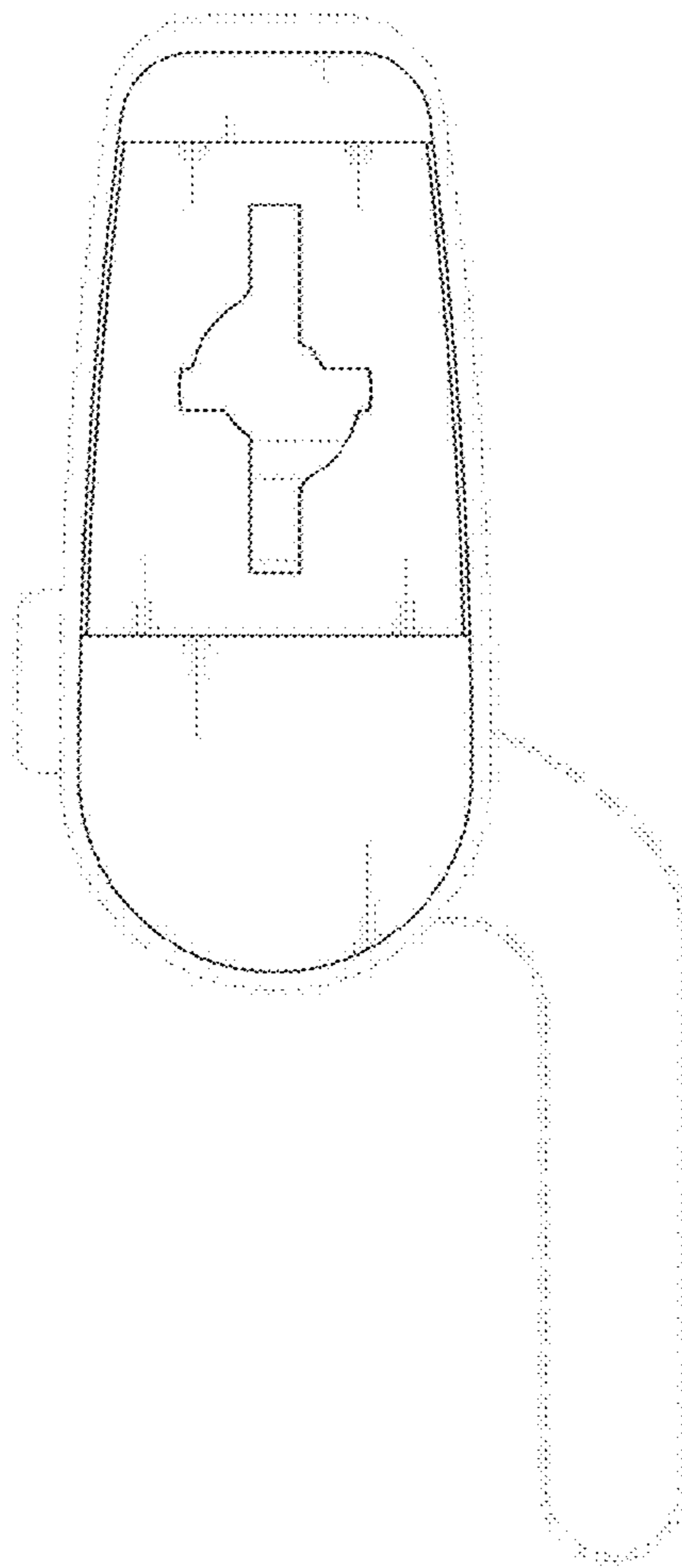


FIG. 7

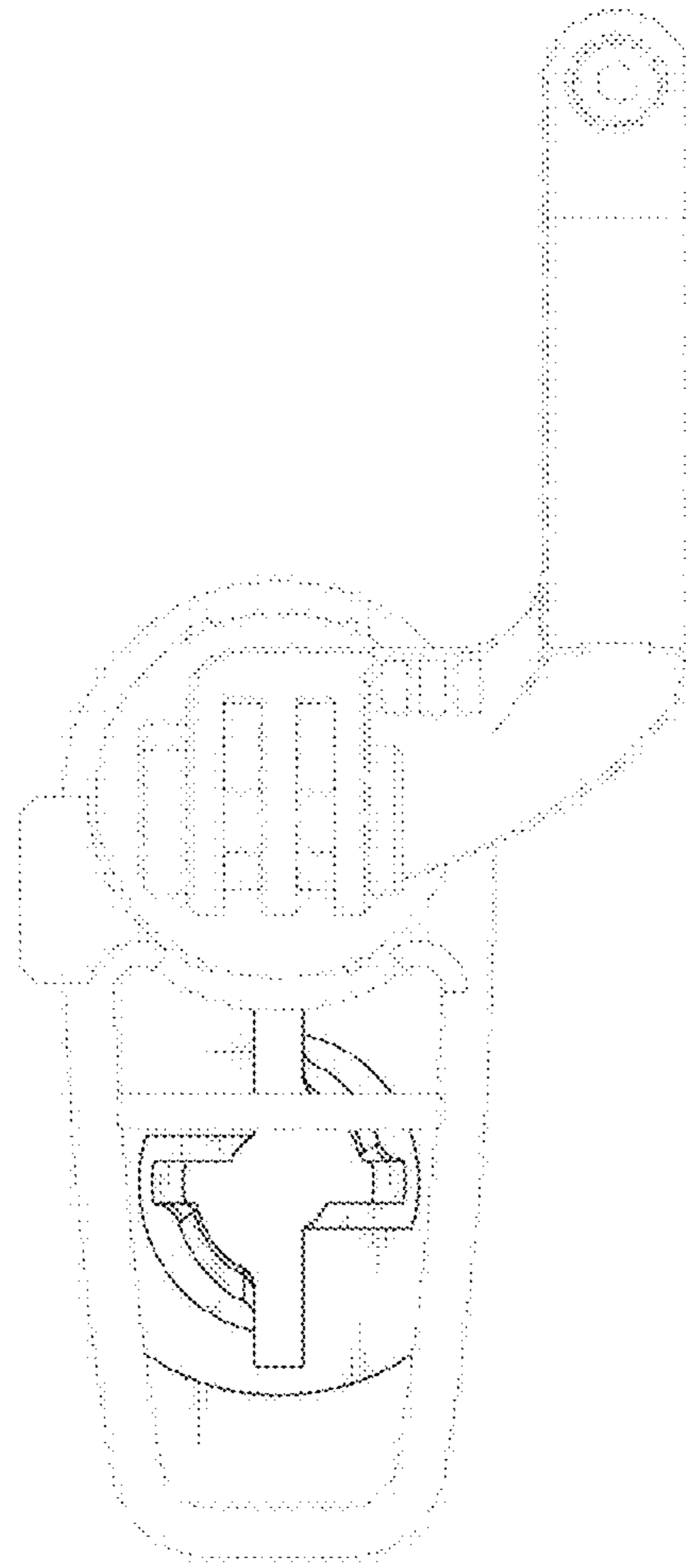


FIG. 8

