



US00D837095S

(12) **United States Design Patent** (10) **Patent No.:** **US D837,095 S**  
**Gagnon et al.** (45) **Date of Patent:** **\*\* Jan. 1, 2019**

(54) **BUCKLE** D496,881 S \* 10/2004 Pontaoe ..... D11/216  
D523,375 S \* 6/2006 Nezu ..... D11/216  
7,478,459 B2 \* 1/2009 Kawaguchi ..... A44B 11/12  
24/170  
(71) Applicant: **Revision Military S.a.r.L.,** D595,184 S \* 6/2009 Yoshiguchi ..... D11/216  
Luxembourg (LU) D702,593 S \* 4/2014 Koreishi ..... D11/216  
(72) Inventors: **Celine Gagnon, St-Jerome (CA);** 8,732,915 B2 \* 5/2014 Kolasa ..... A42B 3/08  
**Dominic Giroux Bernier, Montreal** 24/170  
**(CA); Stéphane Lebel, St. Redempteur** D714,682 S \* 10/2014 Paik ..... D11/216  
**(CA); Maryanne MacDougall, Lachine** D735,075 S \* 7/2015 Hauserman ..... D11/216  
**(CA)** D742,786 S \* 11/2015 Kung ..... D11/216  
D778,777 S \* 2/2017 Paik ..... D11/216  
(73) Assignee: **Revision Military S.a.r.L.,** 9,578,930 B2 \* 2/2017 Koreishi ..... A44B 11/2511  
Luxembourg (LU) 2012/0117717 A1 5/2012 McGinn et al.

(\*\*) Term: **15 Years**

(21) Appl. No.: **29/565,614**

(22) Filed: **May 23, 2016**

(51) **LOC (11) Cl.** ..... **02-07**

(52) **U.S. Cl.**  
USPC ..... **D11/216**

(58) **Field of Classification Search**  
USPC ..... D11/1-2, 200-201, 206-210, 214-218;  
24/163 R, 169-171, 173, 177-179, 191,  
24/194-195, 197, 200, 614-616, 625,  
24/198, 578.11, 578.1, 163 K, 114;  
D2/853, 624  
CPC ..... A44B 11/26; A44B 11/25; A44B 11/06;  
A44B 11/04; A44B 11/01; A44B 11/001;  
A44B 11/10  
See application file for complete search history.

(56) **References Cited**

**U.S. PATENT DOCUMENTS**

5,291,638 A \* 3/1994 Huang ..... A44B 11/14  
24/170  
5,469,583 A 11/1995 Akeley et al.  
5,729,877 A 3/1998 Kong et al.  
6,219,889 B1 \* 4/2001 Lovato ..... A44B 11/12  
24/170

**OTHER PUBLICATIONS**

U.S. Appl. No. 29/565,623, filed May 23, 2016.

\* cited by examiner

*Primary Examiner* — Ralf Seifert  
(74) *Attorney, Agent, or Firm* — Wolf, Greenfield & Sacks, P.C.

(57) **CLAIM**

The ornamental design for a buckle, as shown and described.

**DESCRIPTION**

FIG. 1 is a top, front, left side perspective view of a buckle showing our new design;  
FIG. 2 is a top plan view thereof;  
FIG. 3 is a front elevation view thereof;  
FIG. 4 is a rear elevation view thereof;  
FIG. 5 is a left side elevation view thereof;  
FIG. 6 is a right side elevation view thereof; and,  
FIG. 7 is a bottom, front perspective view thereof.  
The dash-dash broken lines represent portions of the buckle that form no part of the claimed design. The dot-dash broken lines represent boundaries of the claimed design and form no part of the claimed design.

**1 Claim, 4 Drawing Sheets**

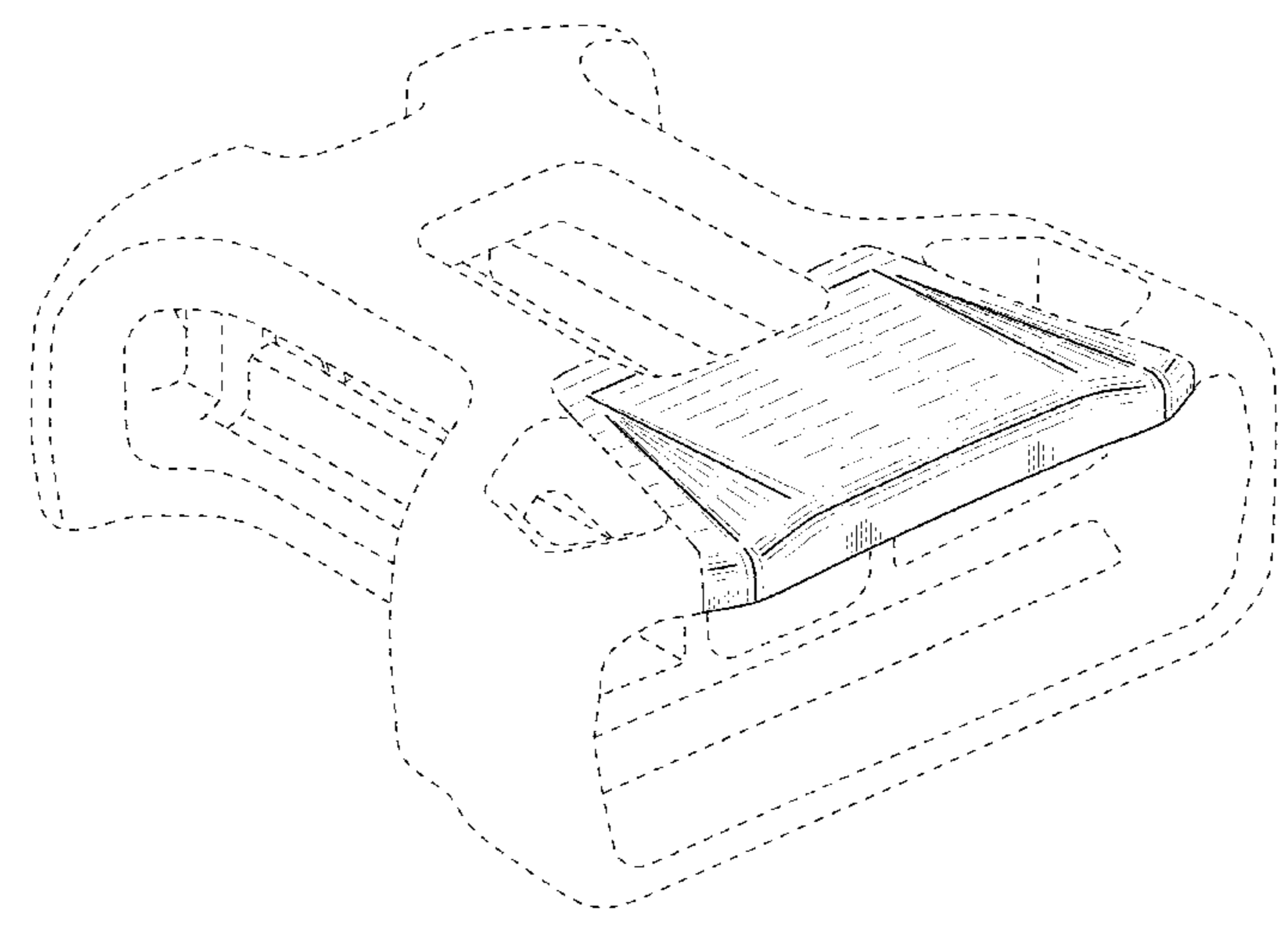


FIG. 1

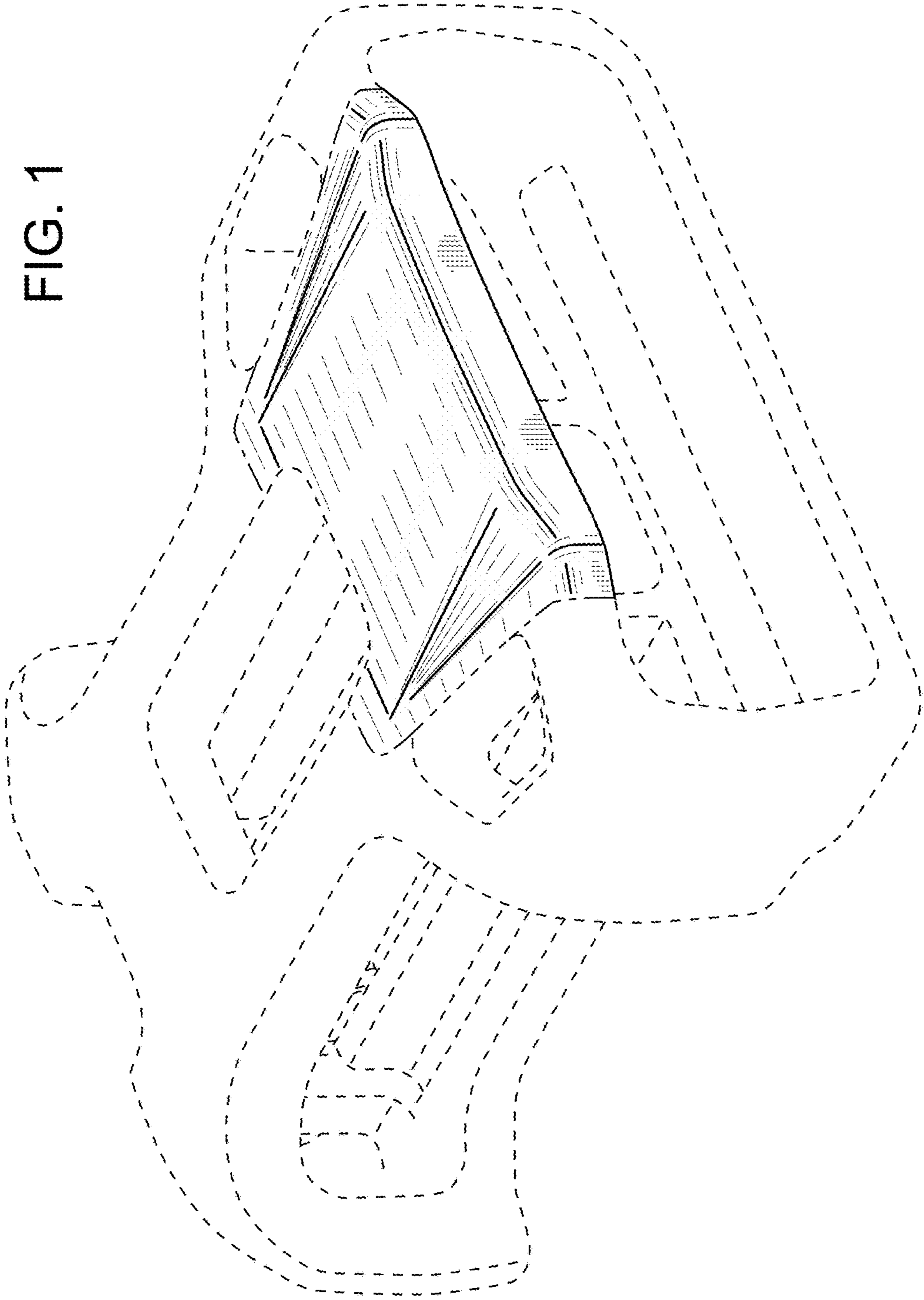


FIG. 2

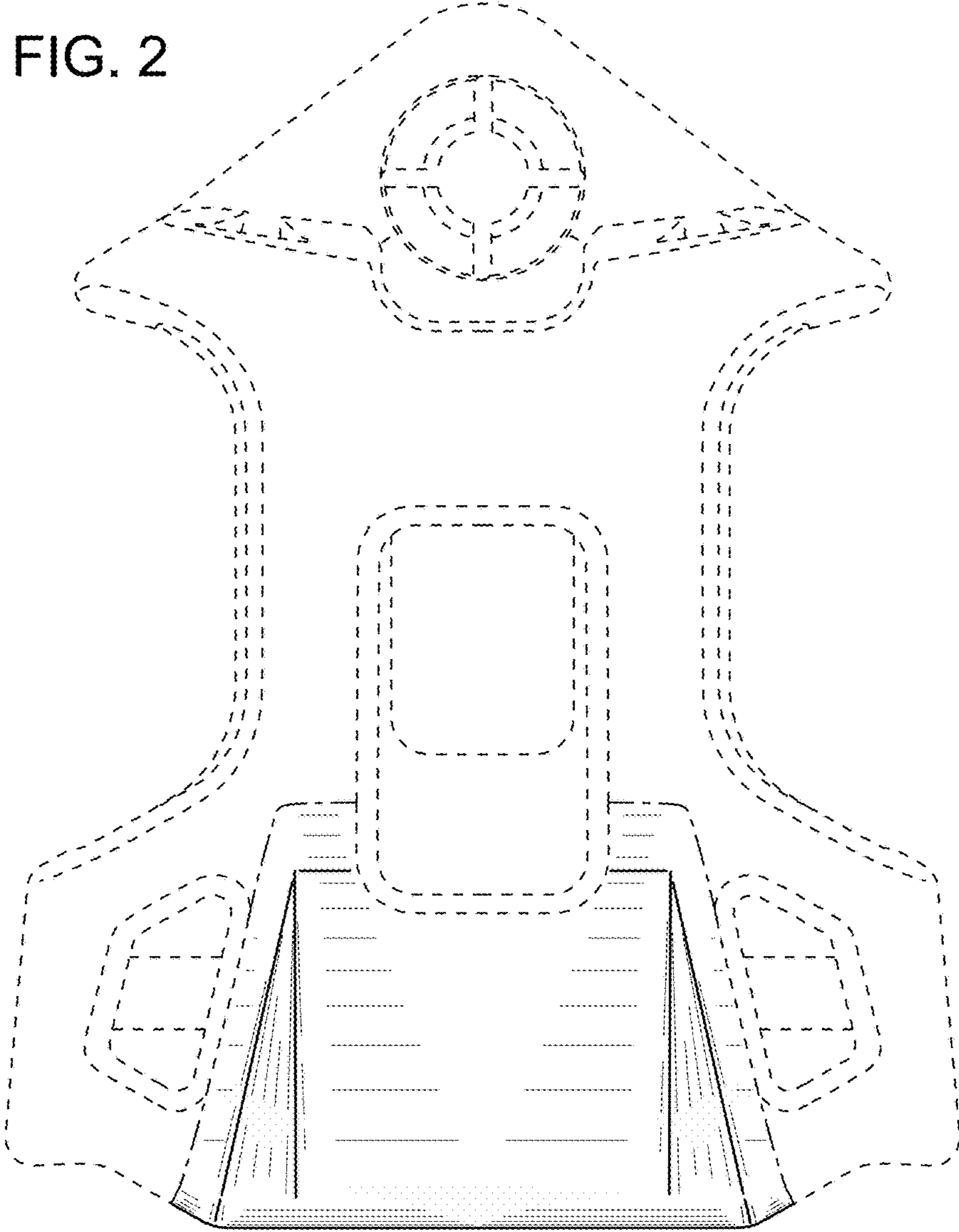


FIG. 3

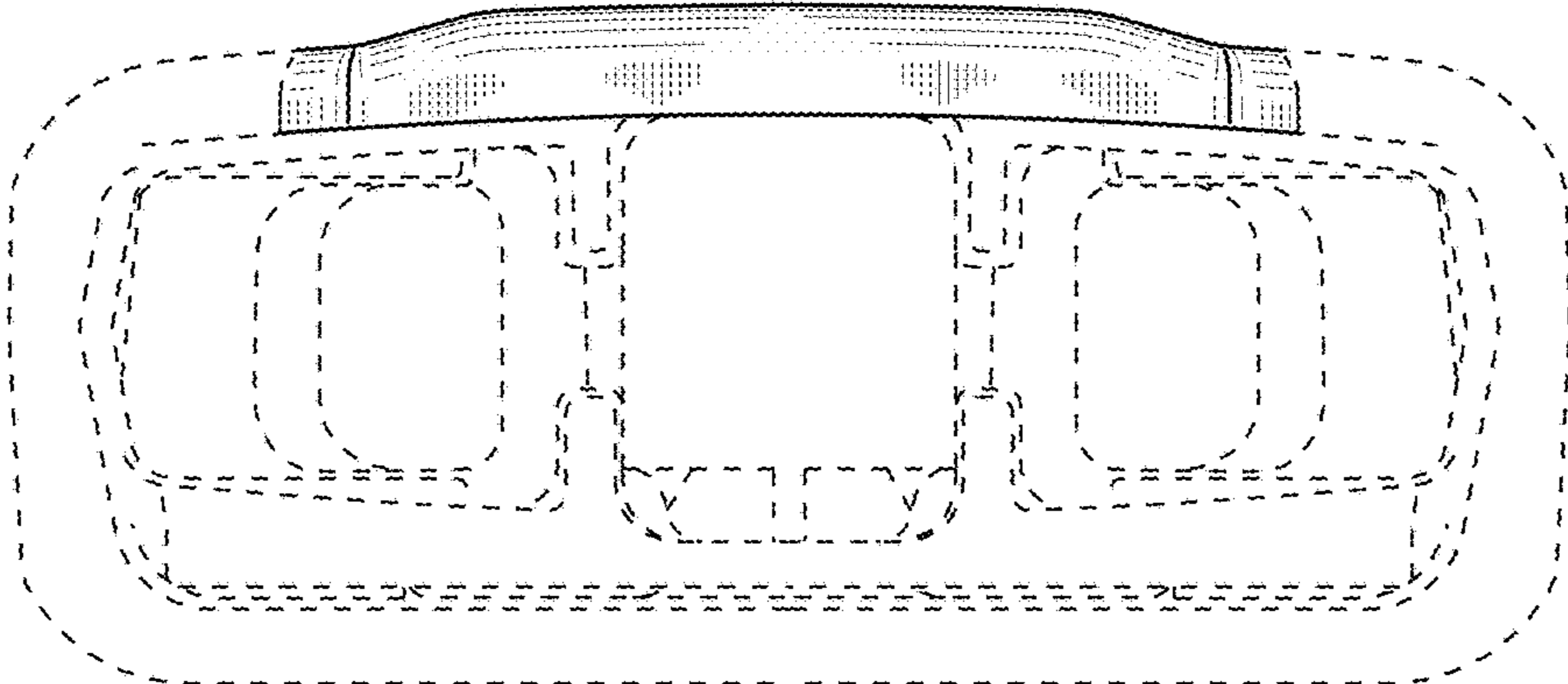


FIG. 4

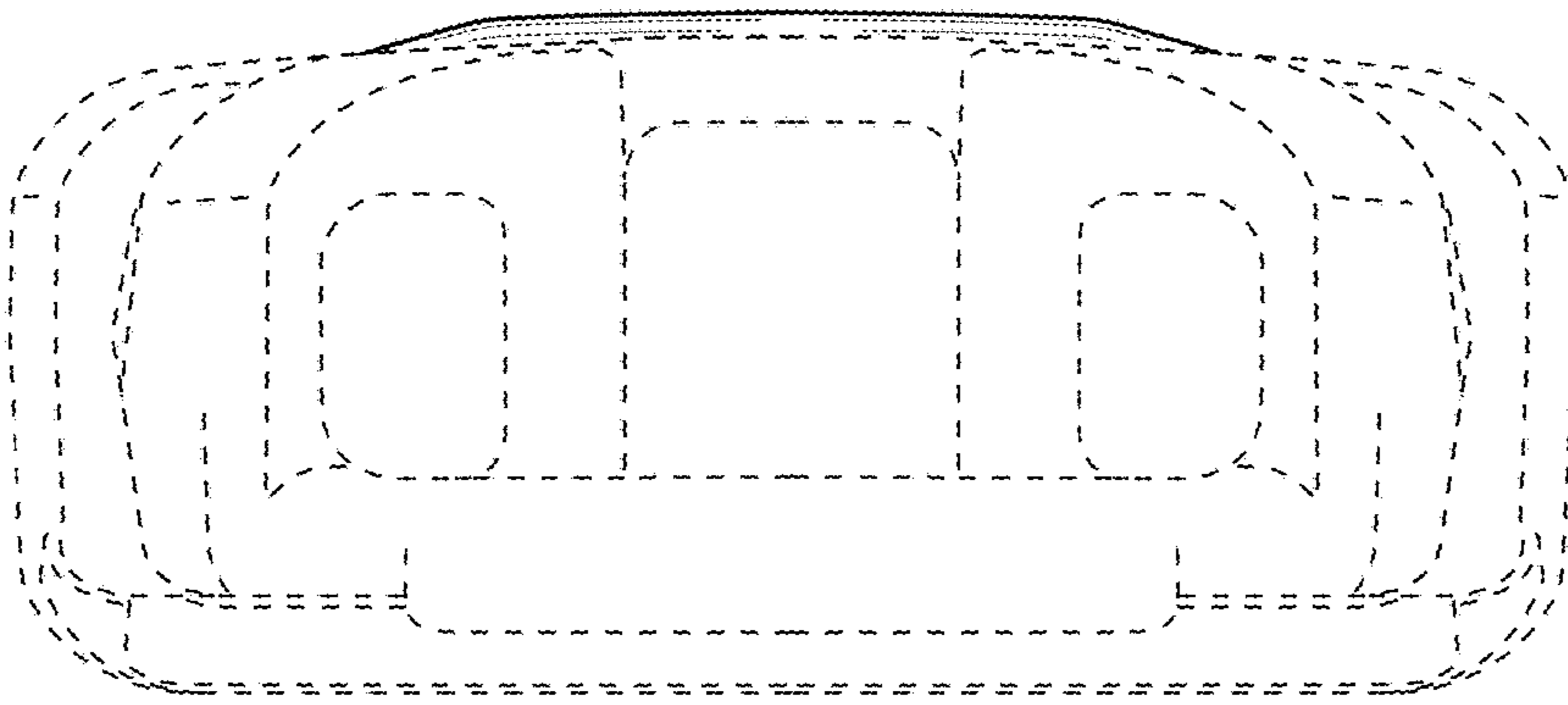


FIG. 5

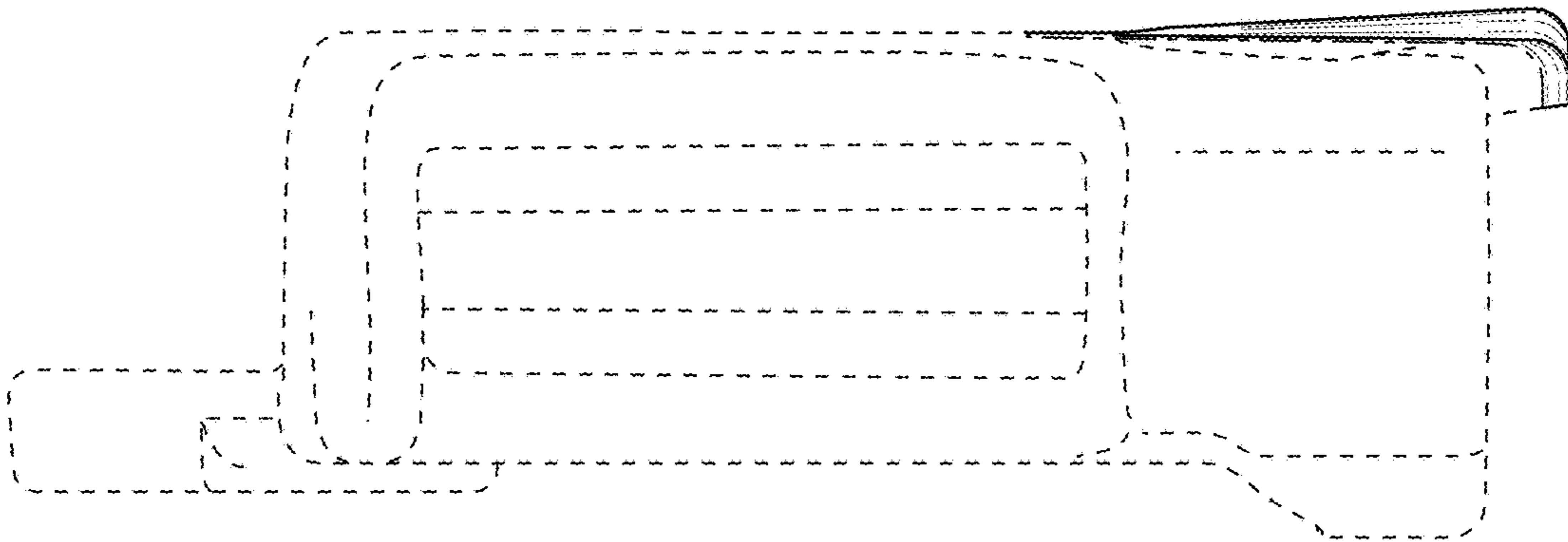


FIG. 6

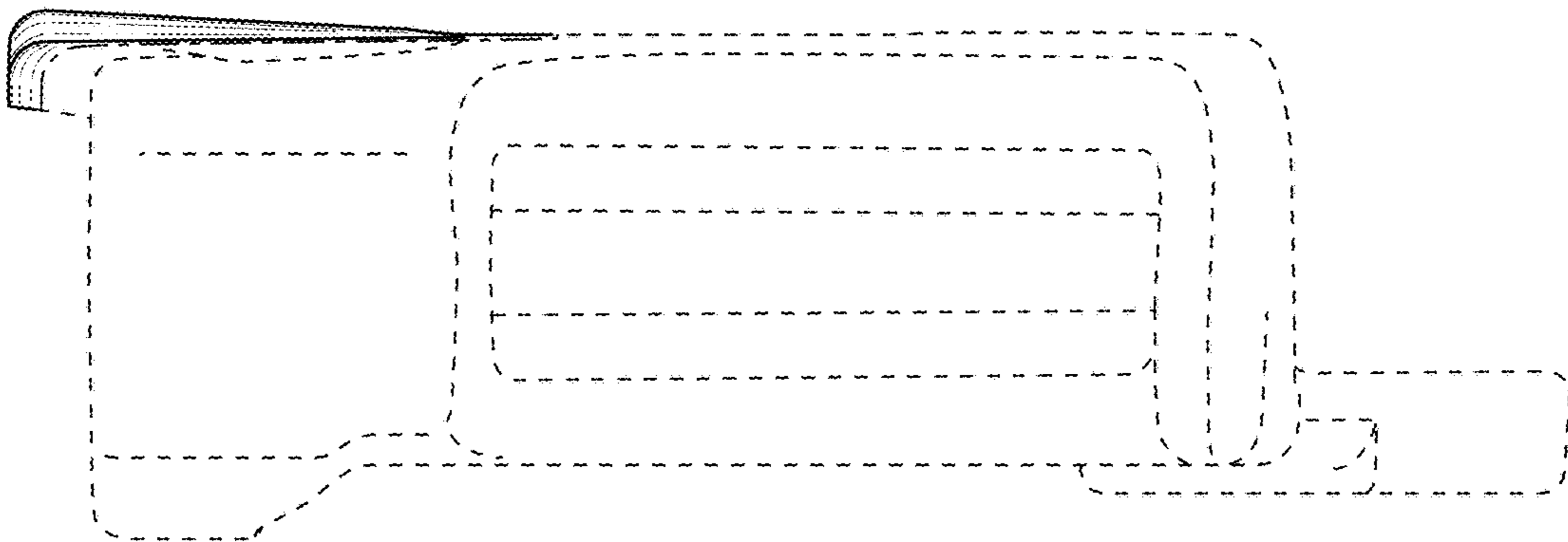


FIG. 7

