



US00D837094S

(12) **United States Design Patent**
Hung et al.

(10) **Patent No.:** **US D837,094 S**
(45) **Date of Patent:** **** Jan. 1, 2019**

- (54) **PLANTER PACKAGE**
- (71) Applicant: **ATT Southern, Inc.**, Camp Hill, PA (US)
- (72) Inventors: **Chun Hung**, Dillsburg, PA (US); **Brian Leahy**, Atlanta, GA (US); **Patrick Guillory**, Smyrna, GA (US); **Phillip Lemke**, Schuylkill Haven, PA (US)
- (73) Assignee: **ATT Southern, Inc.**, Camp Hill, PA (US)
- (**) Term: **15 Years**
- (21) Appl. No.: **29/567,117**
- (22) Filed: **Jun. 6, 2016**
- (51) **LOC (11) Cl.** **11-02**
- (52) **U.S. Cl.**
USPC **D11/152**
- (58) **Field of Classification Search**
USPC D11/143–156, 164; D6/403–405, D6/556–558; D9/655, 659, 651–653, D9/414, 416, 428, 431, 432, 456; 47/84, 47/65.5; 206/423
CPC A01G 9/02; B65D 5/00; B65D 5/008
See application file for complete search history.

- D438,487 S 3/2001 Madden, IV
- 6,422,390 B1 7/2002 Humphrey
- 6,516,563 B1 * 2/2003 Matthews A01G 9/02 47/66.1
- D480,326 S * 10/2003 Carlson D11/155
- D491,061 S 6/2004 Bouroullec et al.
- D532,715 S * 11/2006 Schmidt D11/155
- 7,140,149 B2 * 11/2006 Searle A01G 9/02 47/65.5
- D570,245 S * 6/2008 McAbee D11/131
- D571,688 S * 6/2008 White D11/155
- D686,913 S 7/2013 Kirk et al.
- D688,589 S * 8/2013 Hung D11/148
- D689,793 S 9/2013 Yung
- D702,548 S 4/2014 Flury
- D724,481 S * 3/2015 Blouin D11/155

(Continued)

Primary Examiner — Susan Bennett Hattan
Assistant Examiner — Rebecca Tsehaye
(74) *Attorney, Agent, or Firm* — Brooks Kushman P.C.

(57) **CLAIM**

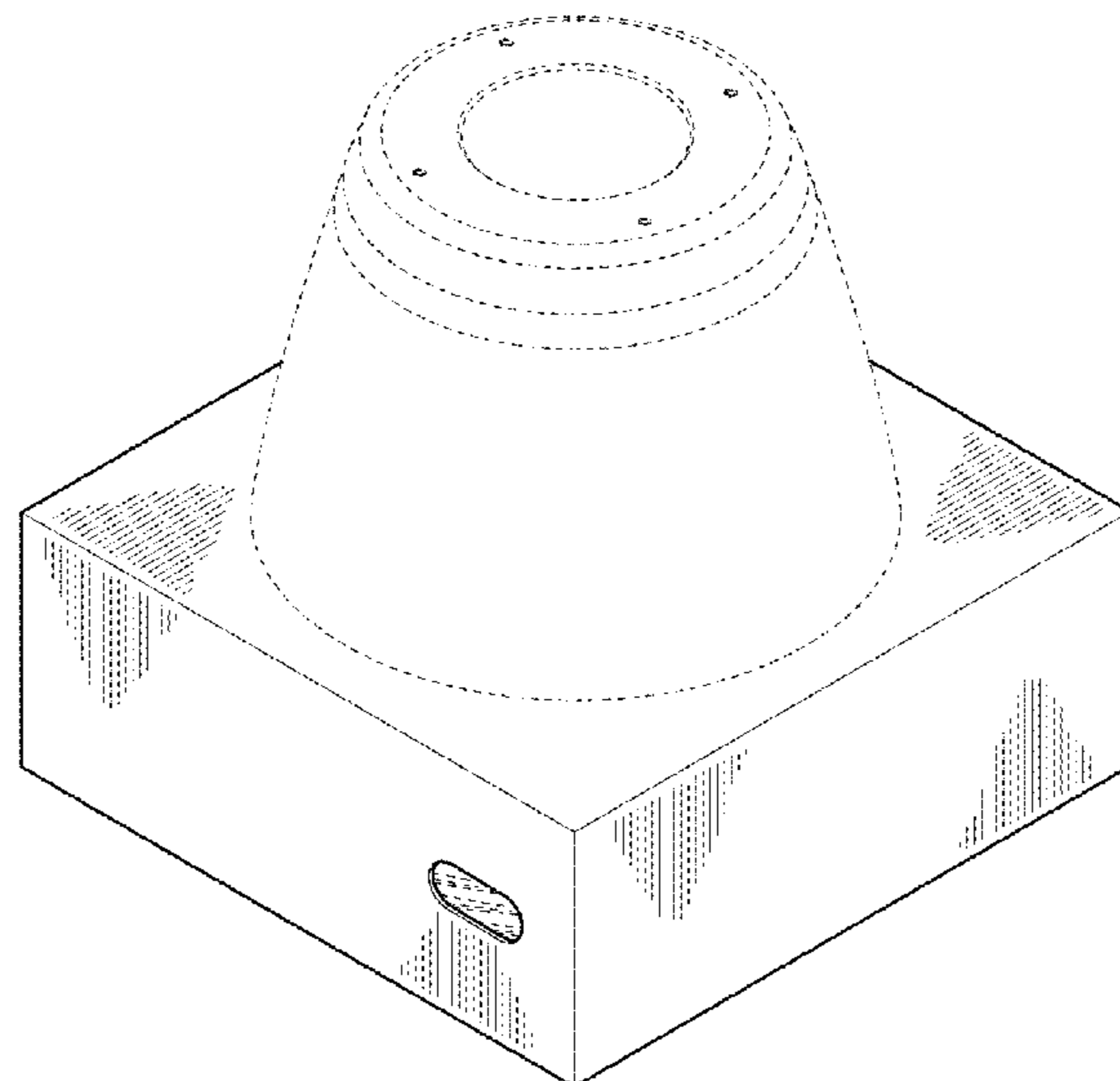
The ornamental design for a planter package, as shown and described.

DESCRIPTION

FIG. 1 is a top perspective view of a planter package; FIG. 2 is a bottom perspective view of the planter package of FIG. 1; FIG. 3 is a front side elevation view of the planter package of FIG. 1, wherein, a rear side elevation view of the planter package of FIG. 1 is a mirror image of FIG. 3; FIG. 4 is a left side elevation view and a right side elevation view of the planter package of FIG. 1; FIG. 5 is a top plan view of the planter package of FIG. 1; and, FIG. 6 is a bottom view of the planter package of FIG. 1. The broken lines in the drawings depict portions of the planter package that form no part of the claimed design.

1 Claim, 3 Drawing Sheets

- (56) **References Cited**
U.S. PATENT DOCUMENTS
- 1,059,359 A 4/1913 Hahn
- 1,116,694 A 11/1914 Hahn
- 3,414,132 A 12/1968 Cornu
- D232,753 S 9/1974 Jalakas
- D238,088 S 12/1975 Grosfillex
- D340,204 S * 10/1993 Grosfillex D11/155
- D376,769 S 12/1996 Kreidler
- D392,914 S * 3/1998 Friend D11/143
- D399,456 S 10/1998 Weder et al.
- D428,360 S 7/2000 Herzog-Mesrobian



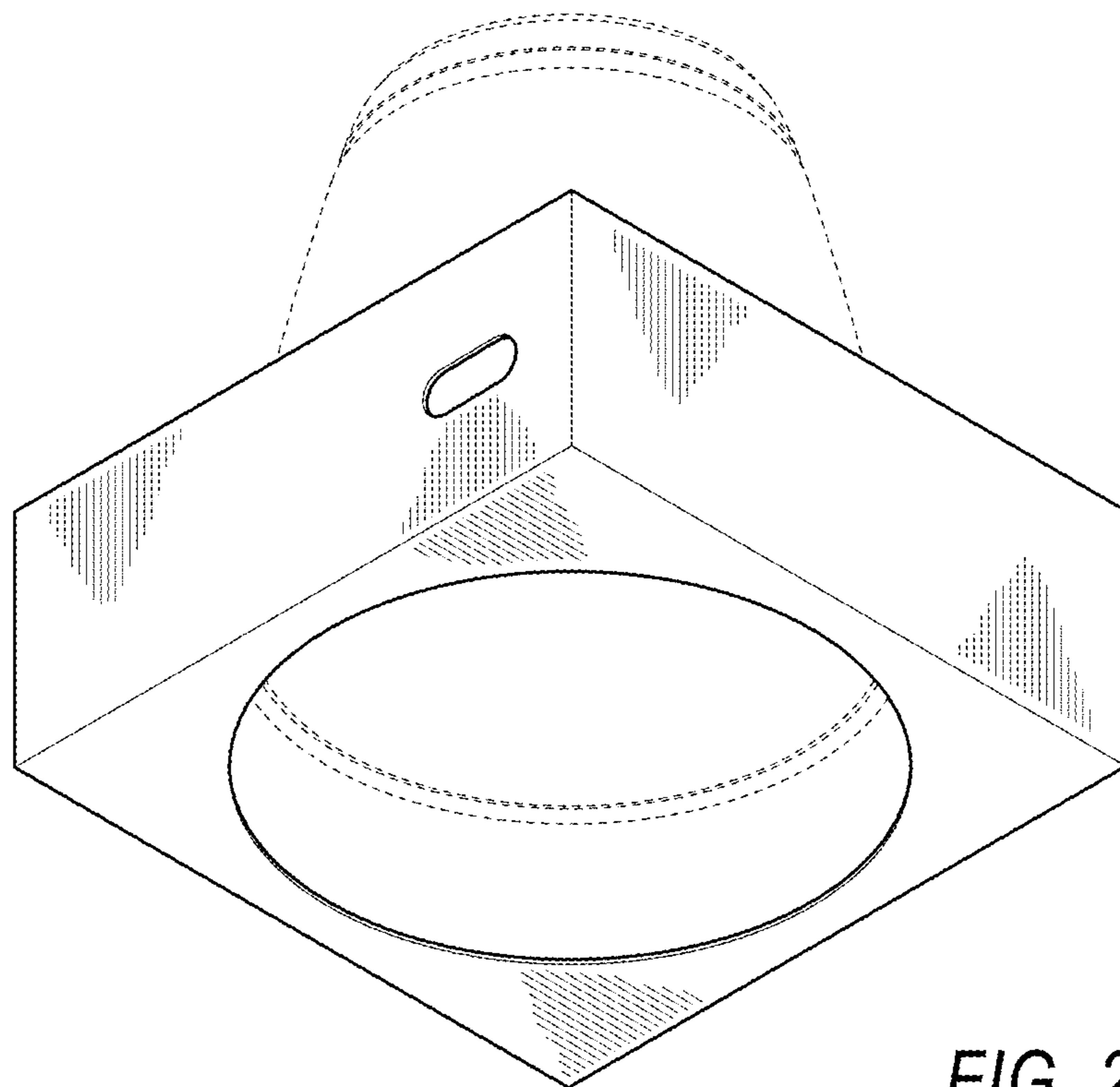
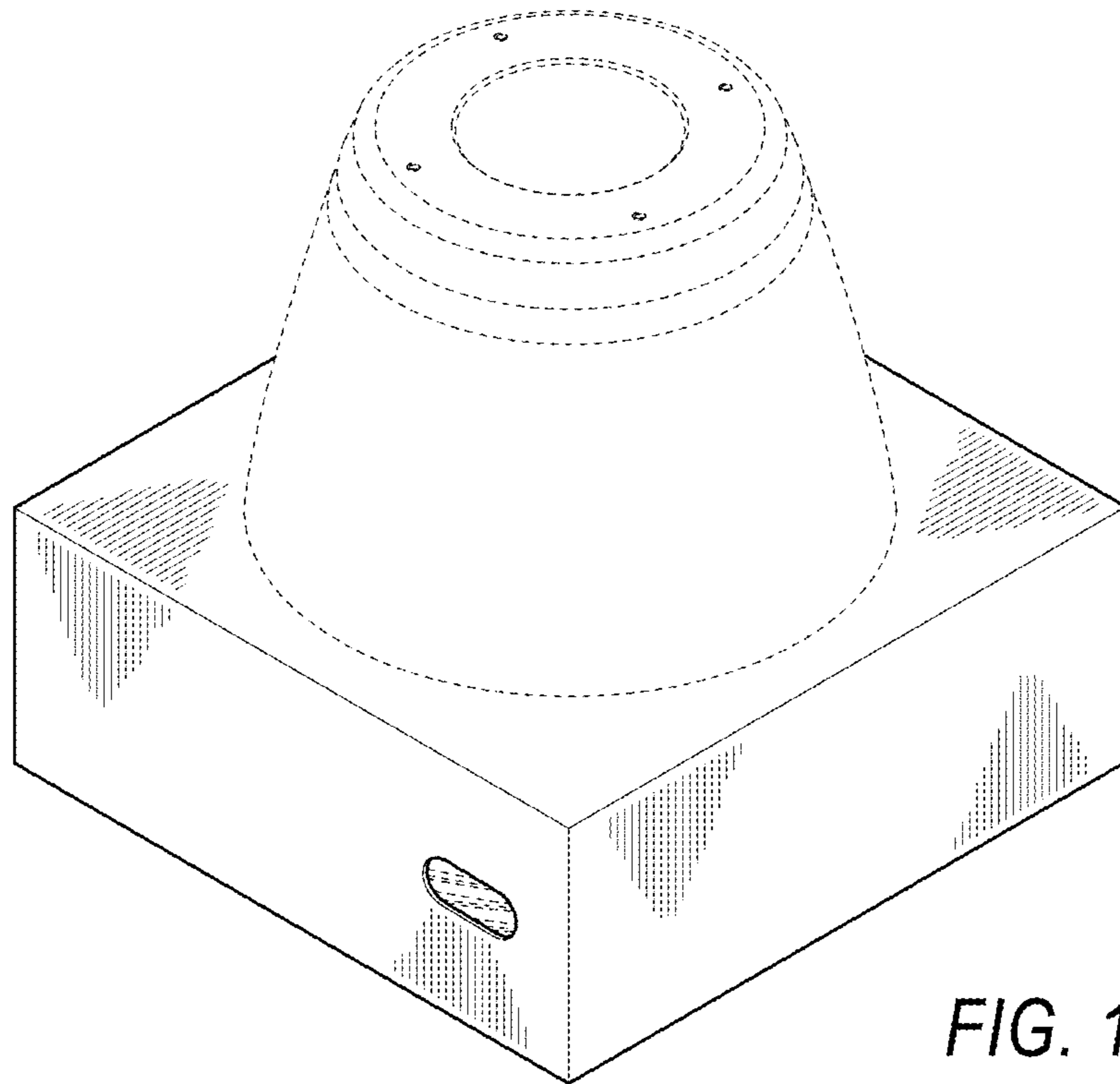
(56)

References Cited

U.S. PATENT DOCUMENTS

8,985,329 B2 * 3/2015 Ullrich B65D 5/503
206/423
D745,428 S 12/2015 Morris
D763,105 S * 8/2016 Forowycz D9/759
D801,213 S * 10/2017 Kim D11/155
D808,080 S * 1/2018 Corey D28/85
2005/0072704 A1 4/2005 Patz et al.
2013/0036669 A1 2/2013 Rabii et al.

* cited by examiner



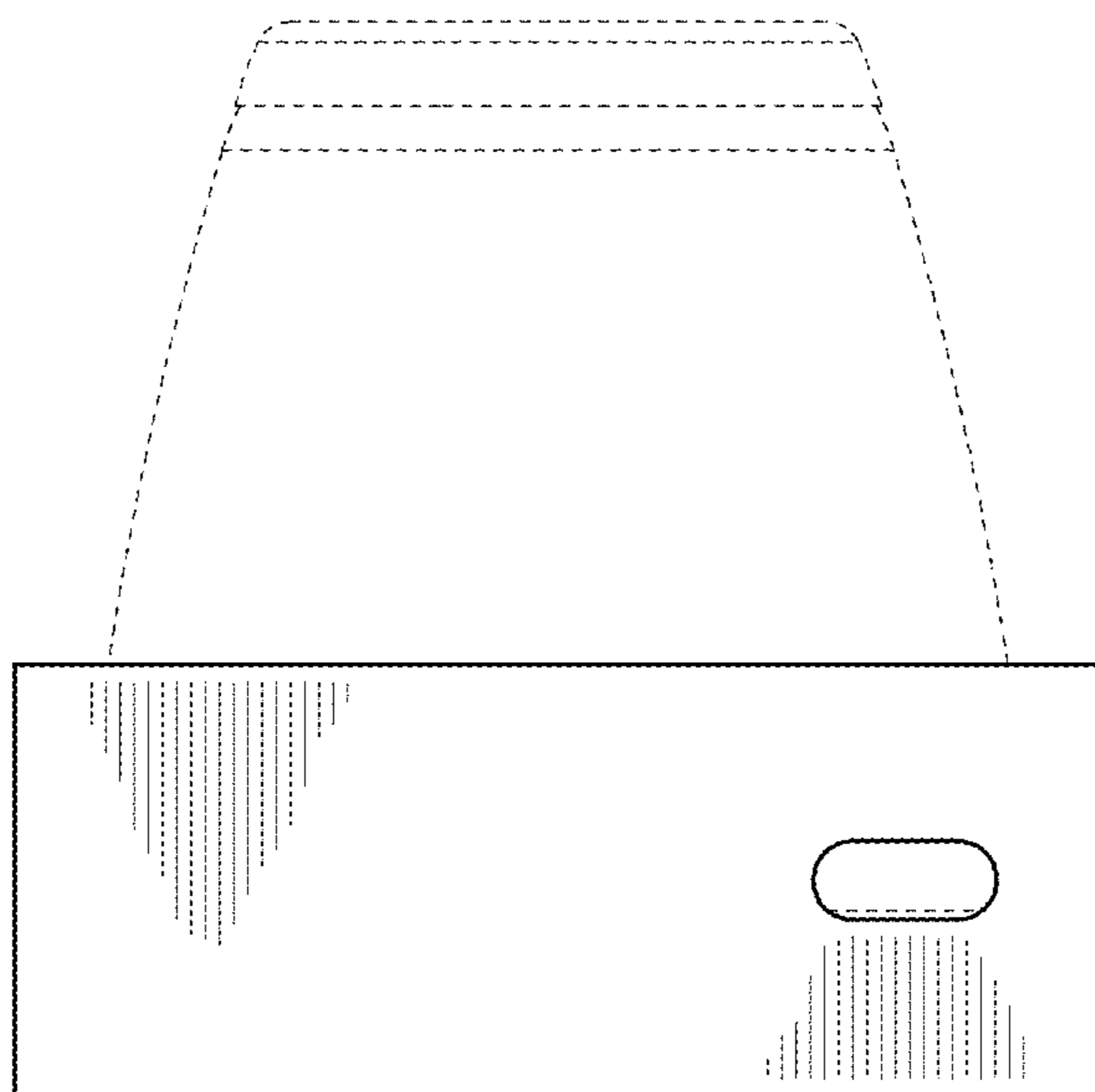


FIG. 3

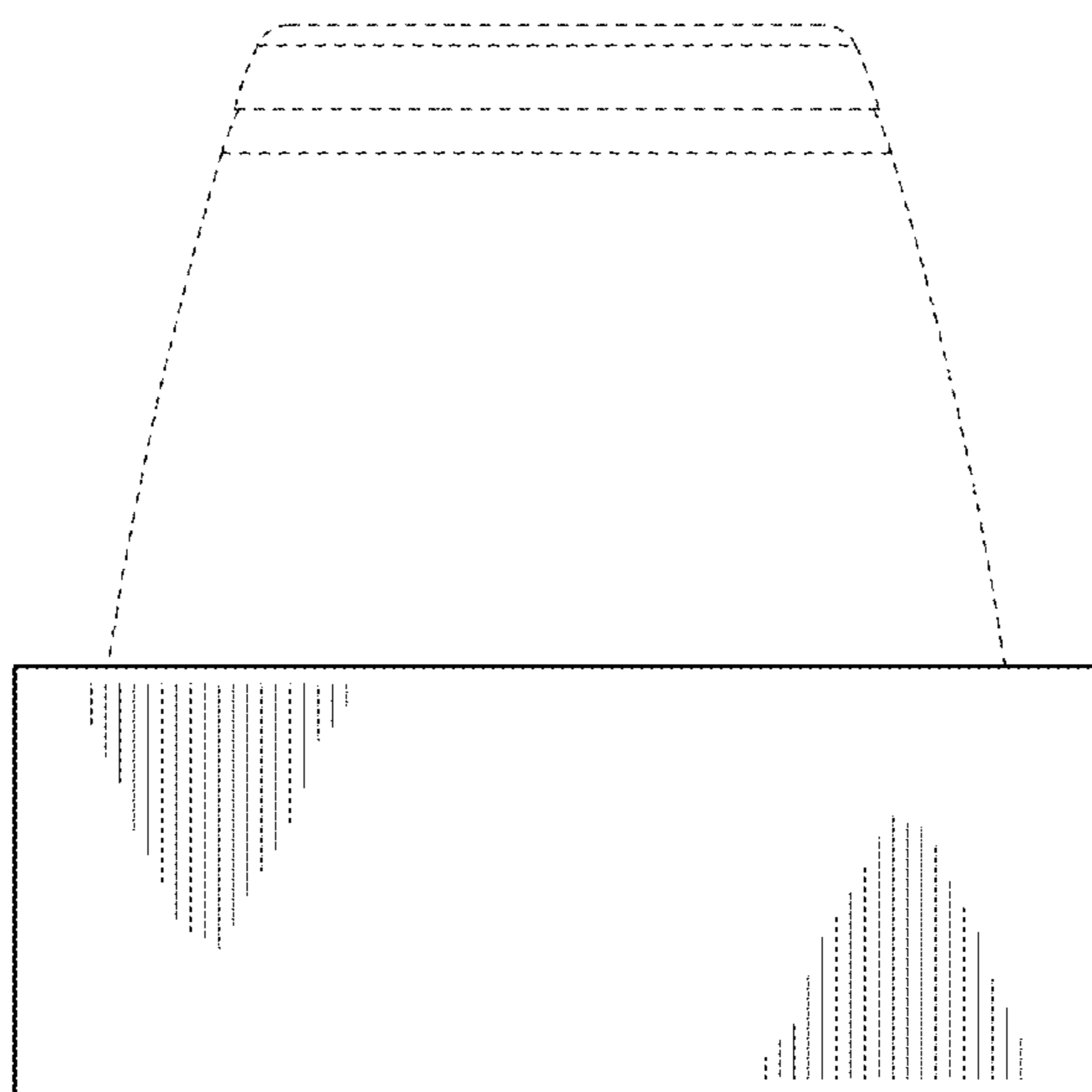


FIG. 4

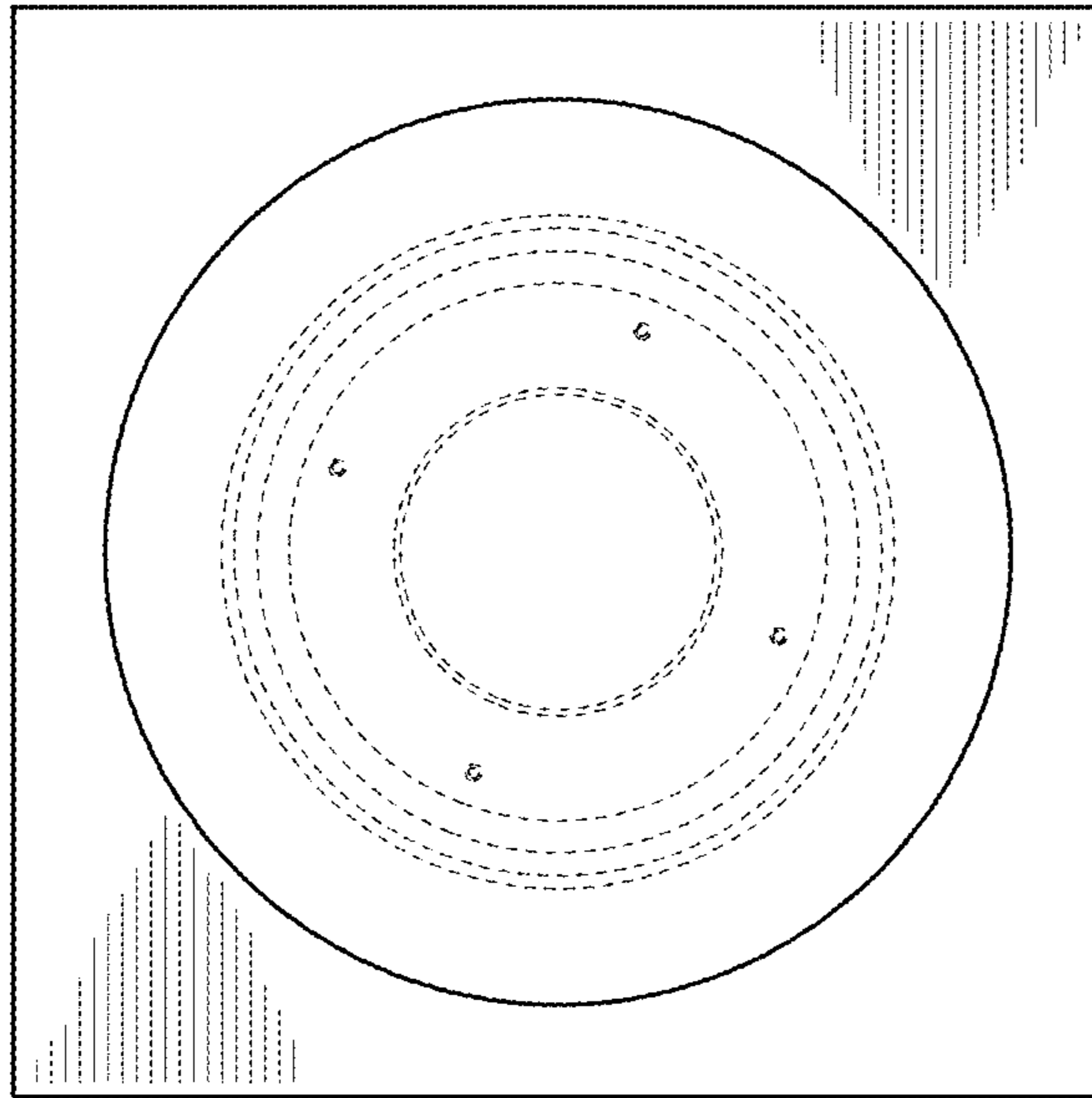


FIG. 5

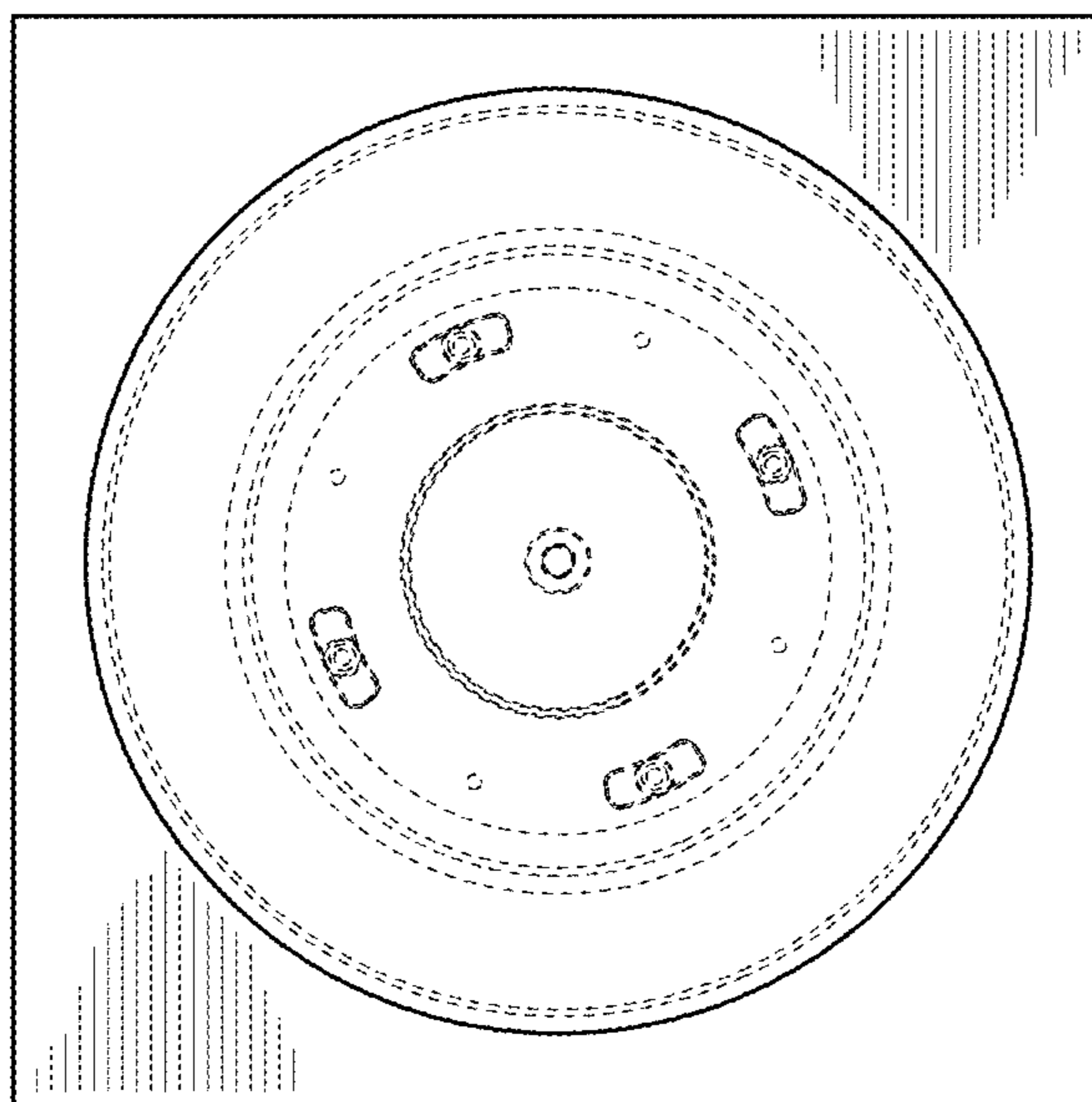


FIG. 6