



US00D837090S

(12) **United States Design Patent** (10) **Patent No.:** **US D837,090 S**
Letney (45) **Date of Patent:** **** Jan. 1, 2019**

(54) **UNITY CROSS ASSEMBLY**
(71) Applicant: **Michael James Letney**, Tulsa, OK (US)
(72) Inventor: **Michael James Letney**, Tulsa, OK (US)
(**) Term: **15 Years**
(21) Appl. No.: **29/604,926**
(22) Filed: **May 22, 2017**
(51) **LOC (11) Cl.** **11-03**
(52) **U.S. Cl.**
USPC **D11/96**
(58) **Field of Classification Search**
USPC D11/96, 175, 7, 40, 43, 79, 95, 97, 121, D11/131, 204, 211, 217, 219, 223, 232, D11/238, 14, 30, 44, 48, 81, 99; D99/23, D99/25-27
CPC A47G 33/00; A47G 33/002; A47G 33/004; A47G 33/006; A47G 33/008; A47G 33/02; A44C 3/00; A44C 3/001; A44C 3/002; A44C 3/004; A44C 3/005; A44C 3/008; A44C 23/00; A44C 25/00; A44C 25/001; A44C 25/005; A44C 25/007; A44C 7/00
See application file for complete search history.

(56) **References Cited**
U.S. PATENT DOCUMENTS
D134,993 S * 2/1943 Brennan 206/19
2,528,913 A * 11/1950 Robinson A47G 33/02
206/19
D168,070 S * 10/1952 Rohlfing 206/19
D186,128 S * 9/1959 Franezone D11/96
D240,140 S * 6/1976 Graves D99/27
D253,041 S * 10/1979 Ellard D10/15
D256,398 S * 8/1980 Mitchell D99/25
D293,028 S * 12/1987 Yother D26/51
D338,315 S * 8/1993 Larson 428/3

D365,781 S * 1/1996 Osborn D11/96
D390,321 S * 2/1998 Maple D99/13
D443,970 S * 6/2001 Stucker D99/23
D656,429 S * 3/2012 Cadigan D11/96
D663,095 S * 7/2012 Naimi D99/27
D752,367 S * 3/2016 Kroll D20/29
D753,538 S * 4/2016 David D11/96
(Continued)

OTHER PUBLICATIONS

Cross made of Bark Maple, mounted on crosscut figured Black Walnut found online [Jul. 19, 2018]—<https://www.strubswoodcrib.com/products/>.
(Continued)

Primary Examiner — Brandon M Rosati
Assistant Examiner — John A Voytek
(74) *Attorney, Agent, or Firm* — Head, Johnson, Kachigian & Wilkinson, PC

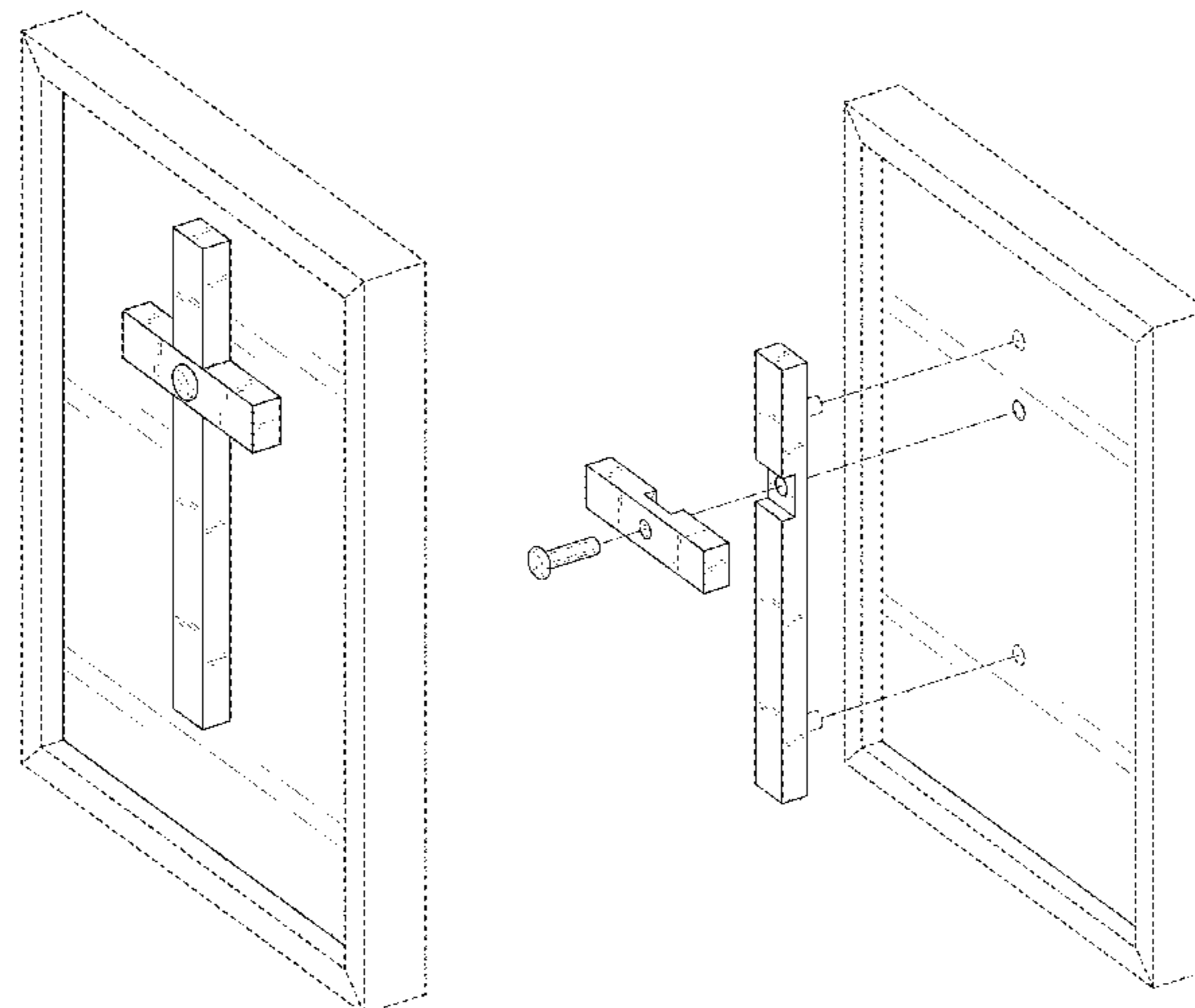
(57) **CLAIM**

The ornamental design for a unity cross assembly, as shown and described.

DESCRIPTION

FIG. 1 is a front perspective view of a unity cross assembly constructed in accordance with the present invention; FIG. 2 is a front view thereof; FIG. 3 is a back view thereof; FIG. 4 is a right side view thereof; FIG. 5 is a left side view thereof; FIG. 6 is a top view thereof; FIG. 7 is a bottom view thereof; and, FIG. 8 is an exploded side perspective view thereof. The equally spaced broken lines are included for the purpose of illustrating portions of the unity cross assembly that form no part of the claimed design. The unequally spaced broken lines in FIG. 8 show the assembly order of the components of the unity cross assembly.

1 Claim, 6 Drawing Sheets



(56)

References Cited

U.S. PATENT DOCUMENTS

D756,590 S * 5/2016 Bialecki D99/27
D766,772 S * 9/2016 Letney D11/96

OTHER PUBLICATIONS

Handmade Wooden Cross found online [Jul. 20, 2018]—<http://www.stpaulsgiftshop.com/religiousgifts.htm>.*

* cited by examiner

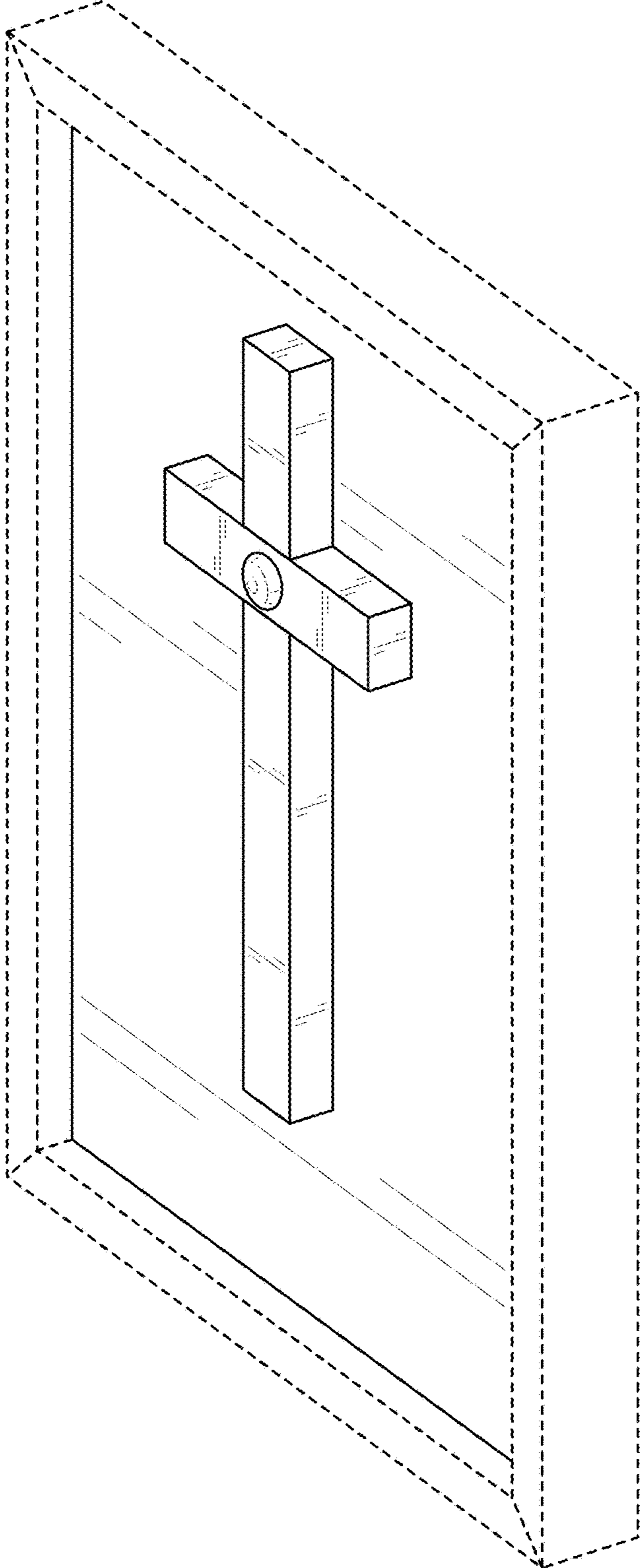


FIG. 1

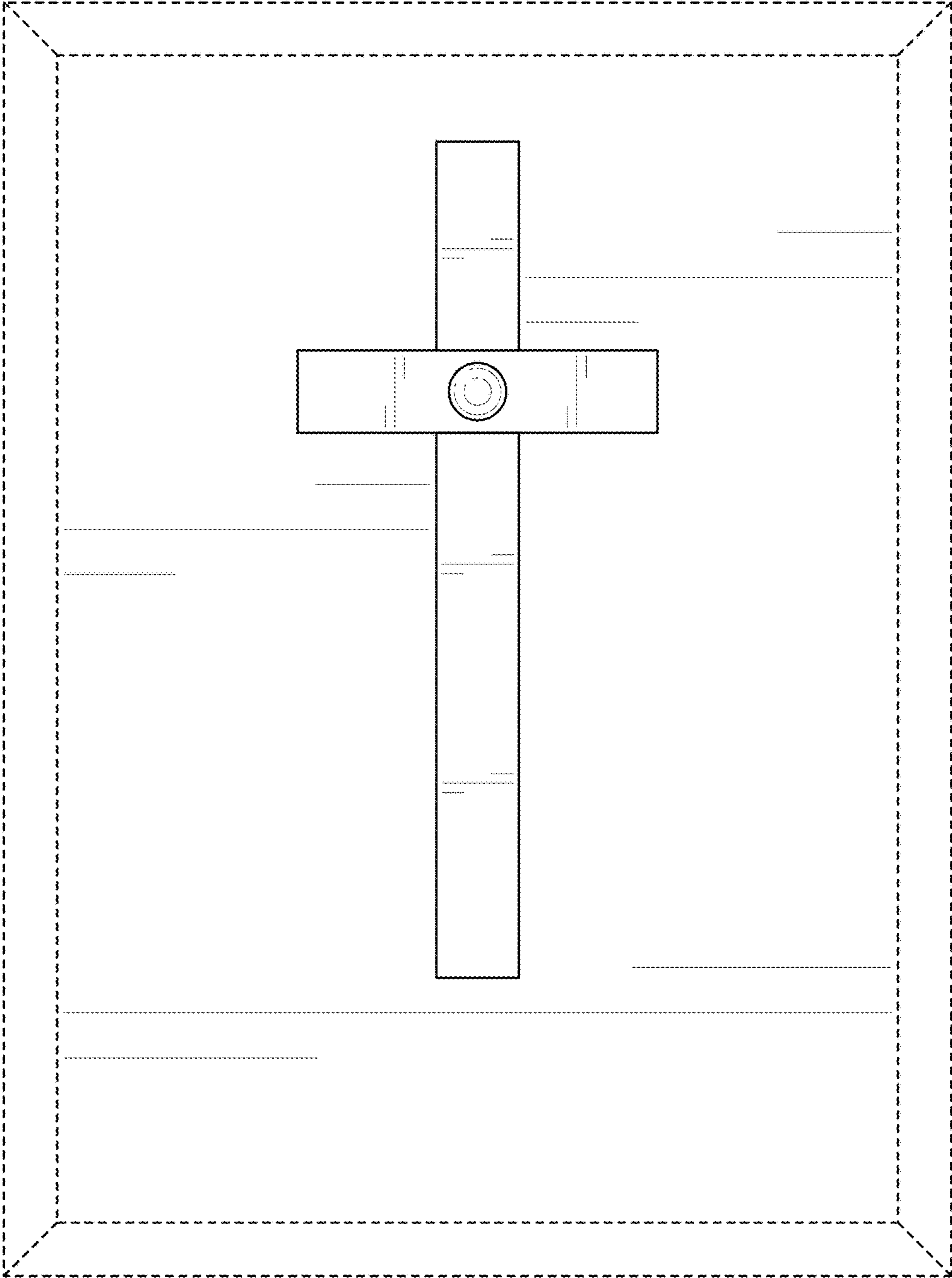


FIG. 2

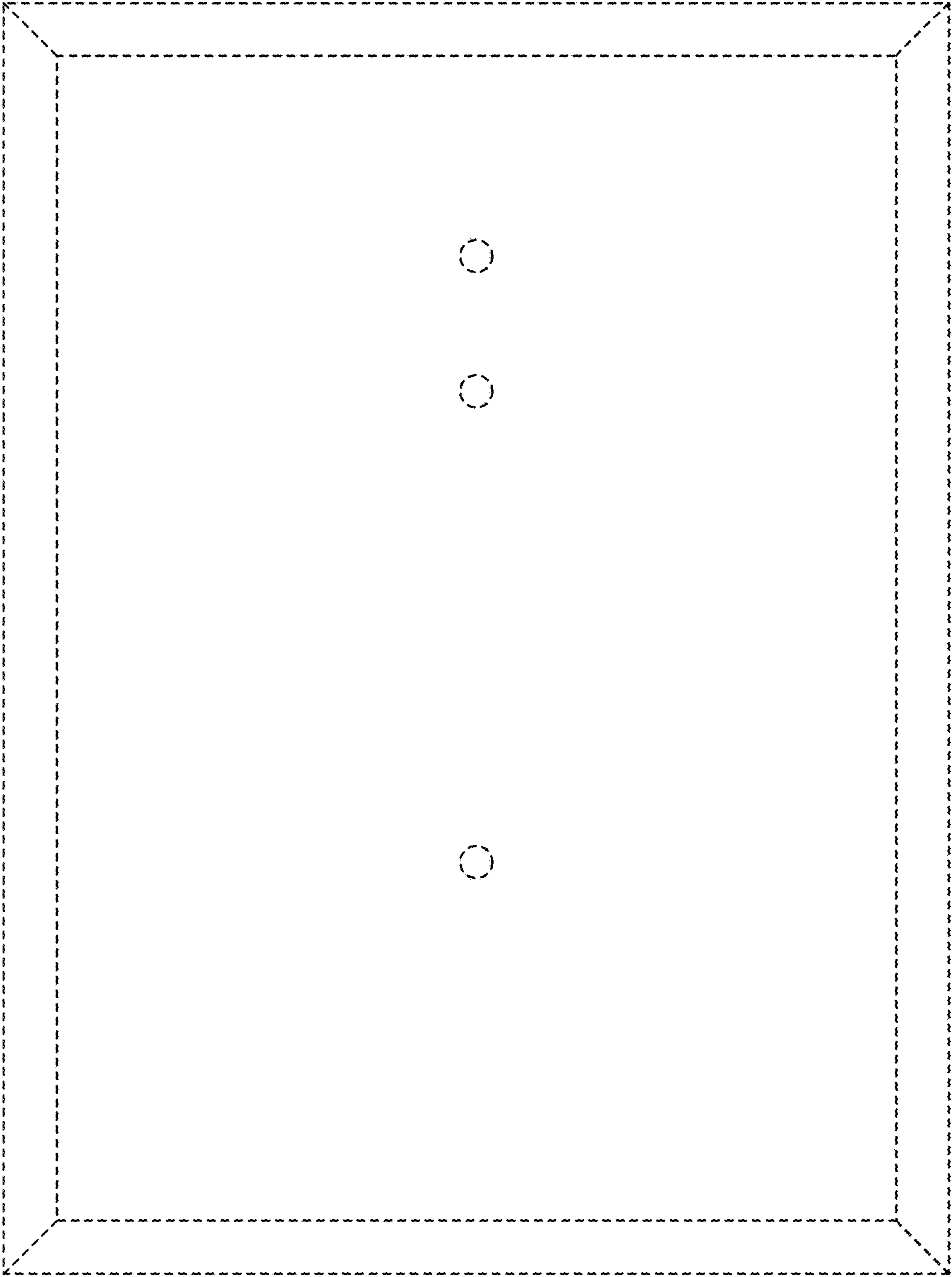


FIG. 3

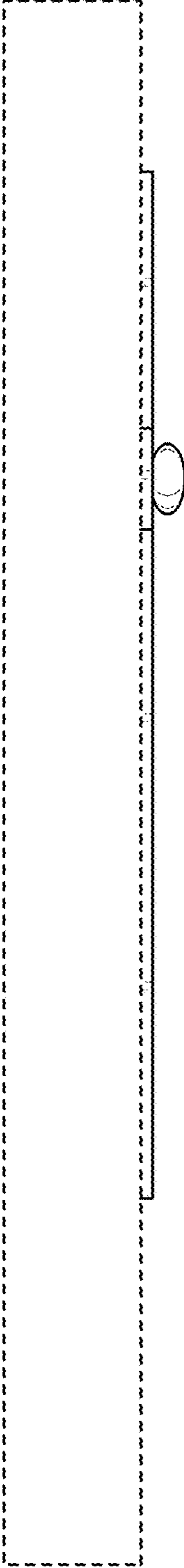


FIG. 4

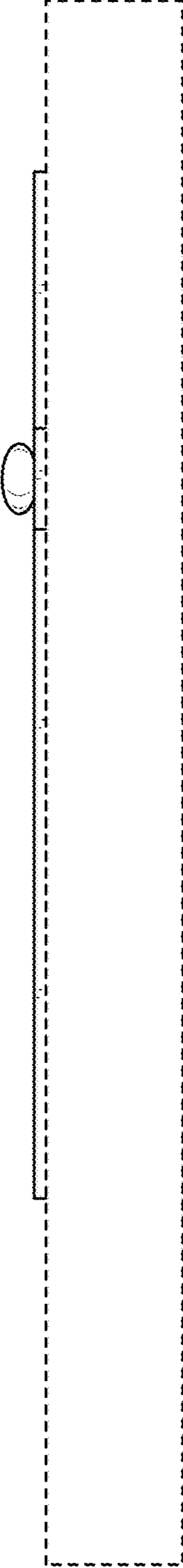


FIG. 5

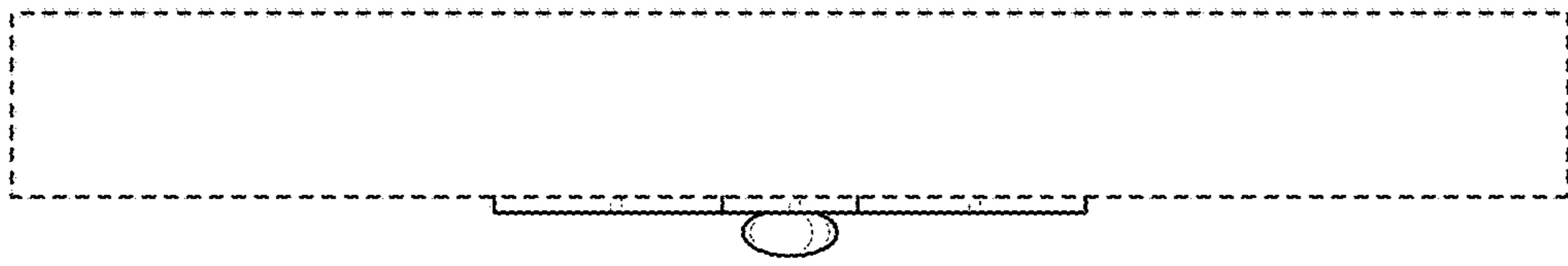


FIG. 6

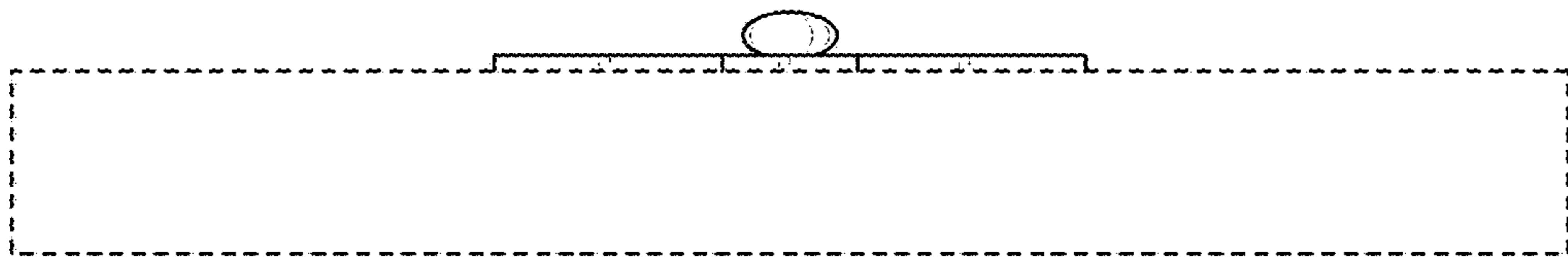


FIG. 7

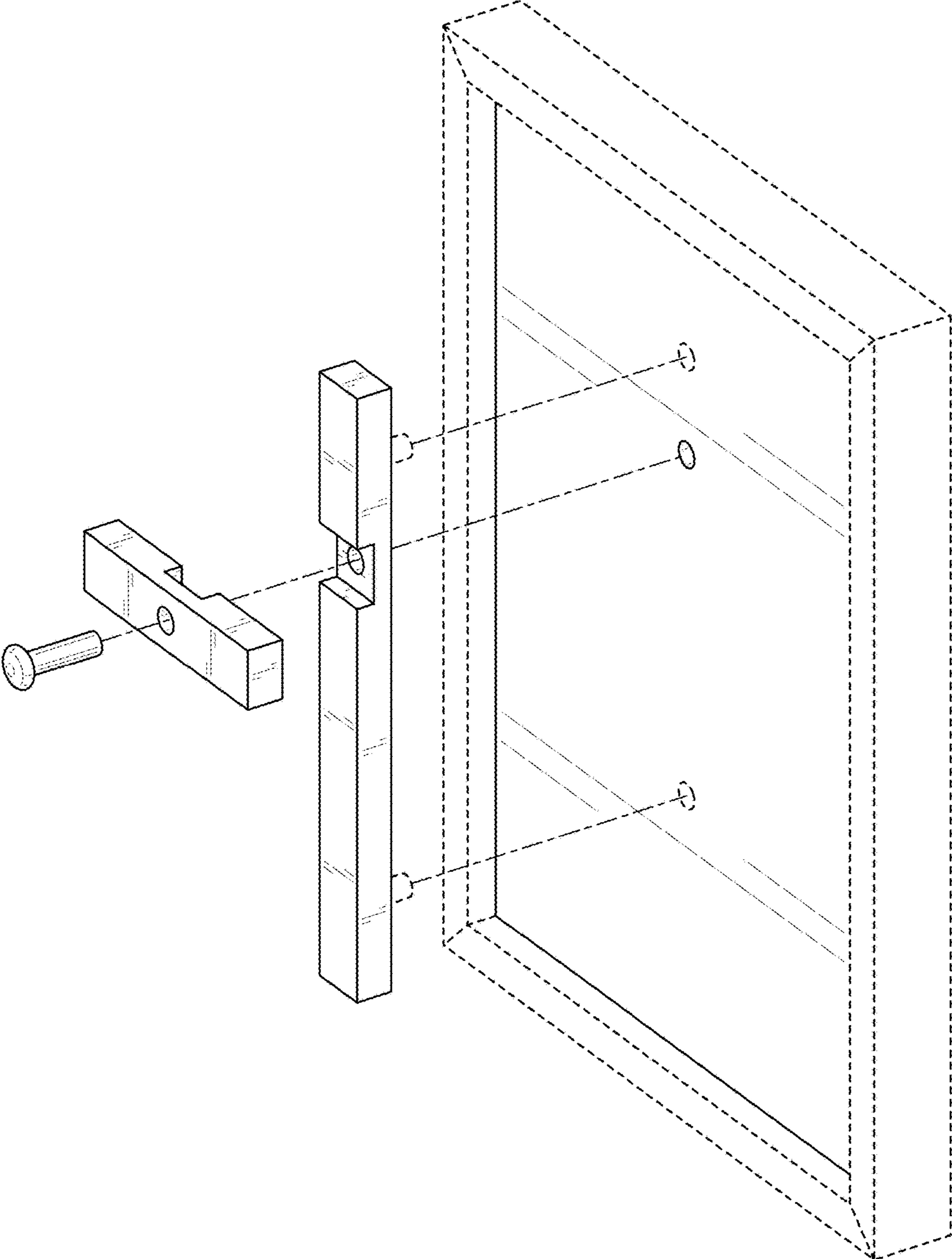


FIG. 8