

US00D837085S

(12) **United States Design Patent**  
**Banman**

(10) **Patent No.:** **US D837,085 S**  
(45) **Date of Patent:** **\*\* Jan. 1, 2019**

(54) **LASERABLE INSERT**

(71) Applicant: **Plastic Dress-Up Company**, South El Monte, CA (US)

(72) Inventor: **John Mark Banman**, Corona, CA (US)

(73) Assignee: **Plastic Dress-Up Co**, South El Monte, CA (US)

(\*\*) Term: **15 Years**

(21) Appl. No.: **29/551,749**

(22) Filed: **Jan. 15, 2016**

(51) **LOC (11) Cl.** ..... **11-01**

(52) **U.S. Cl.**  
USPC ..... **D11/86**

(58) **Field of Classification Search**  
USPC ..... D11/1, 2, 86; D3/203.1, 203.2, 203.6,  
D3/203.212, 215, 229, 316, 901  
CPC ..... A45D 40/18; A45D 40/222; A45D  
2040/0012; A45C 11/16; B65D 25/108;  
B65D 43/22; B65D 43/18  
See application file for complete search history.

(56) **References Cited**

**U.S. PATENT DOCUMENTS**

D703,089 S \* 4/2014 Grainger ..... D11/86  
D718,655 S \* 12/2014 Fischer ..... D11/86

D726,576 S \* 4/2015 Jain ..... D11/86  
D742,272 S \* 11/2015 Bailey ..... D11/3  
D767,565 S \* 9/2016 Francis ..... D11/4  
D803,716 S \* 11/2017 Grainger ..... D11/86  
D823,710 S \* 7/2018 Schone ..... D11/86

\* cited by examiner

*Primary Examiner* — Zenia I Bennett

(74) *Attorney, Agent, or Firm* — Lewis Brisbois Bisgaard & Smith LLP; Thomas A. Dougherty

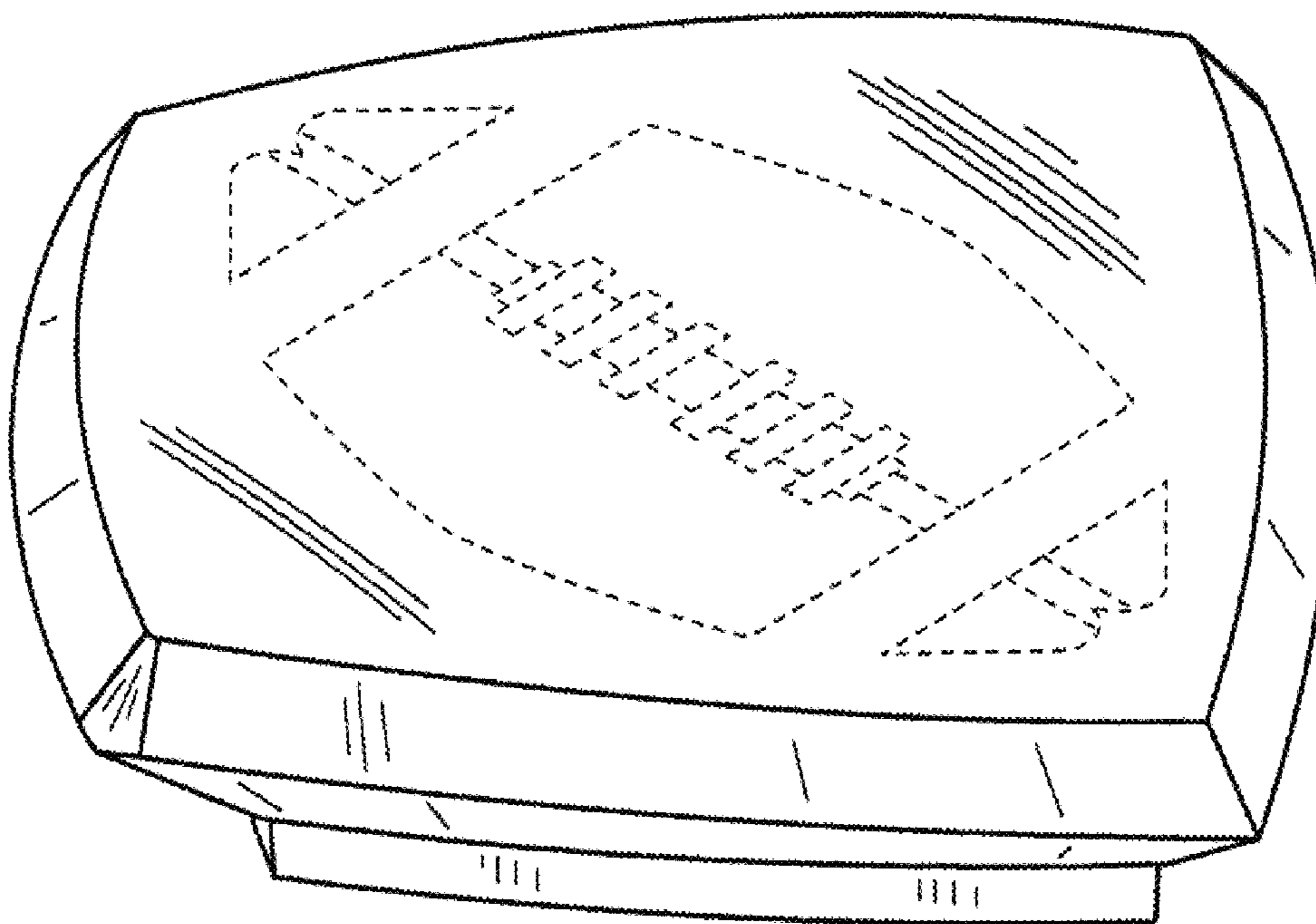
(57) **CLAIM**

The ornamental design for a laserable insert, as shown and described.

**DESCRIPTION**

FIG. 1 is a perspective view of the laserable insert.  
FIG. 2 is a front view of the laserable insert.  
FIG. 3 is a back view of the laserable insert.  
FIG. 4 is a left side view of the laserable insert.  
FIG. 5 is a right side view of the laserable insert.  
FIG. 6 is a top view of the laserable insert; and,  
FIG. 7 is a bottom view of the laserable insert.

**1 Claim, 4 Drawing Sheets**



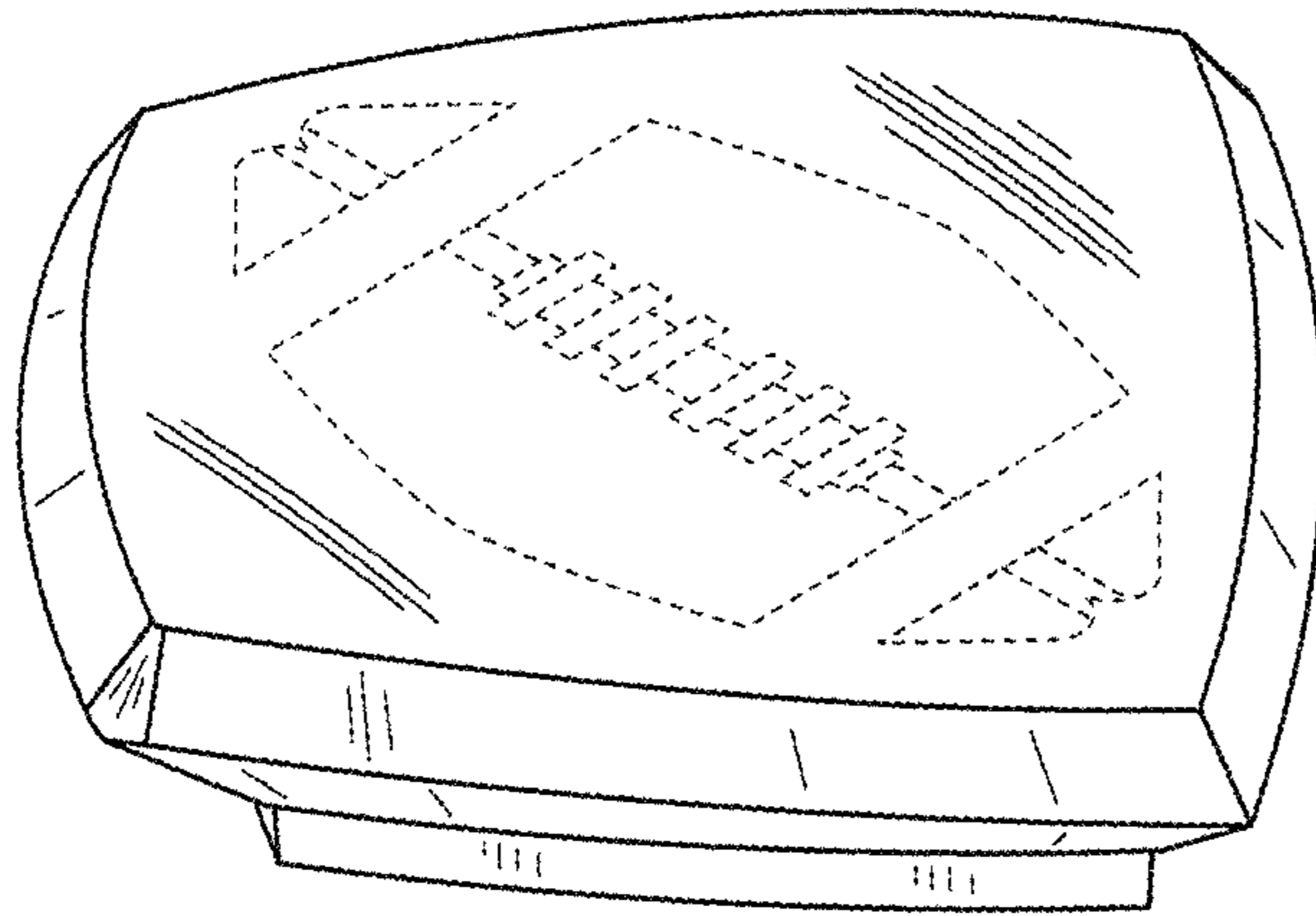


FIG.1

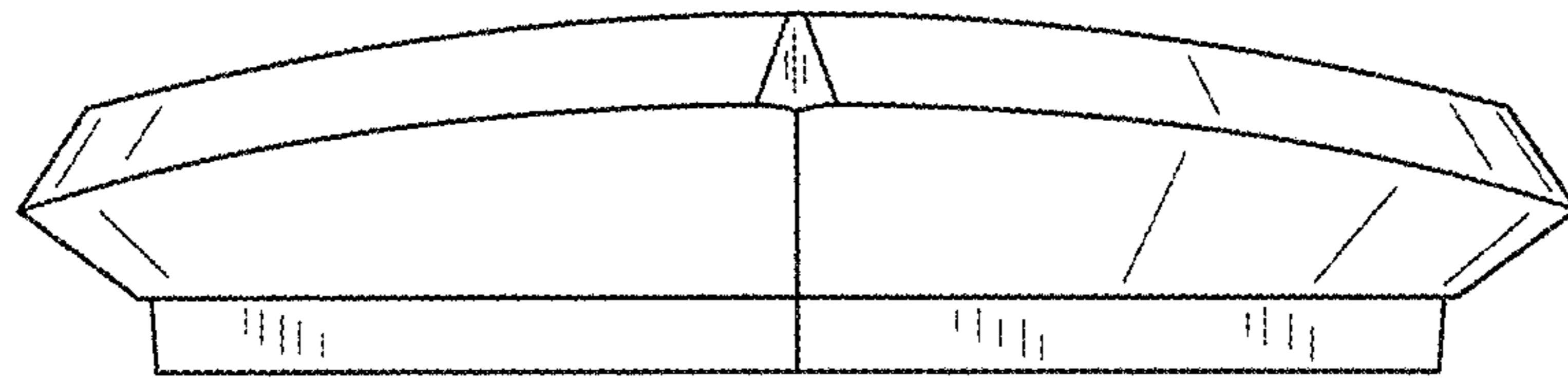


FIG. 2

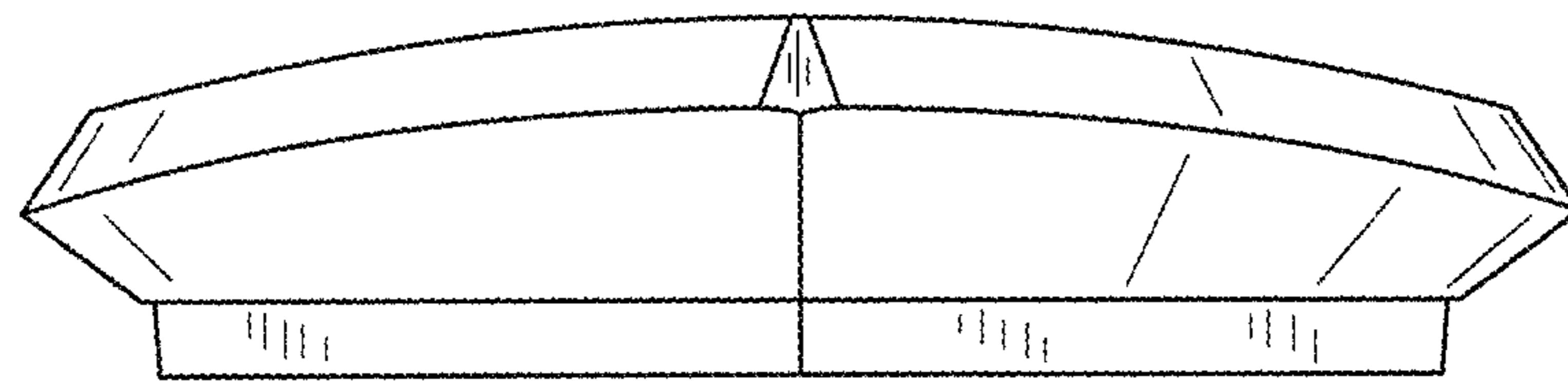


FIG. 3

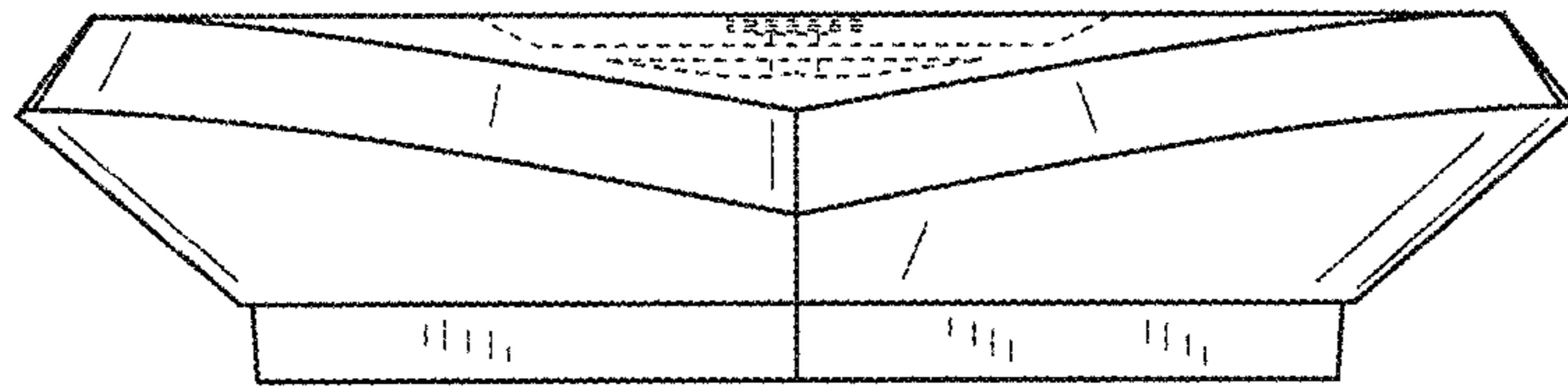


FIG. 4

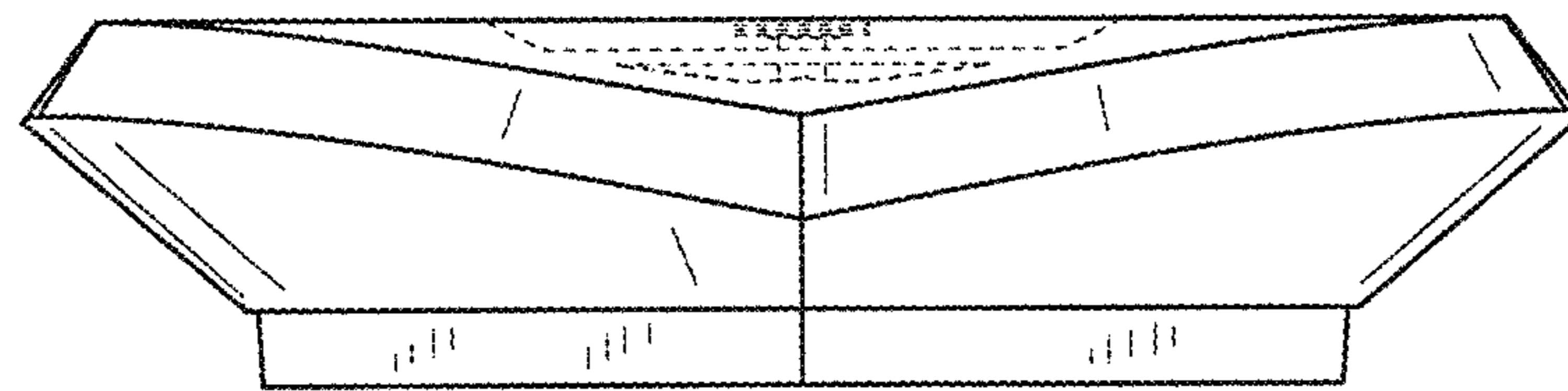


FIG. 5

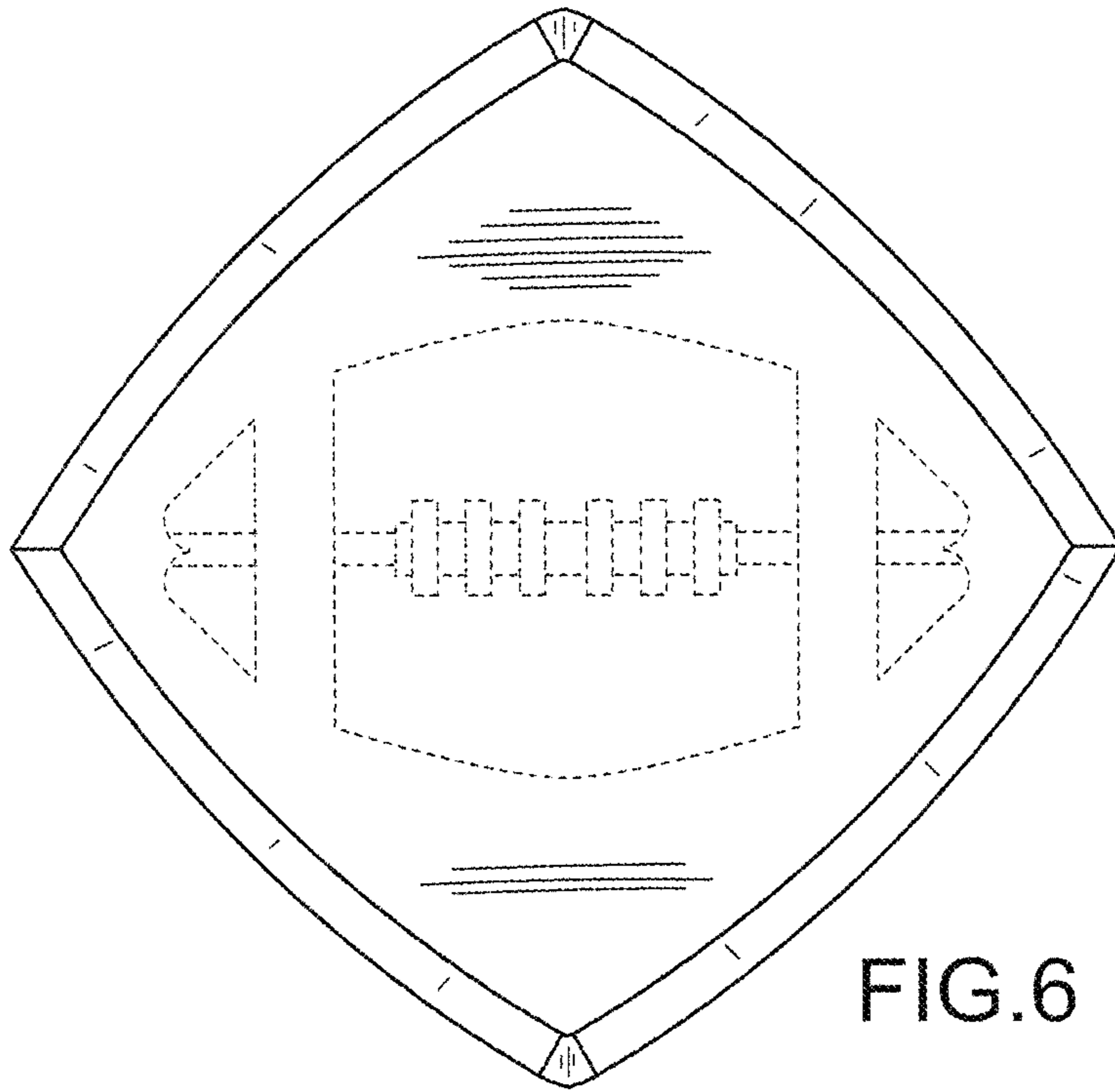


FIG. 6

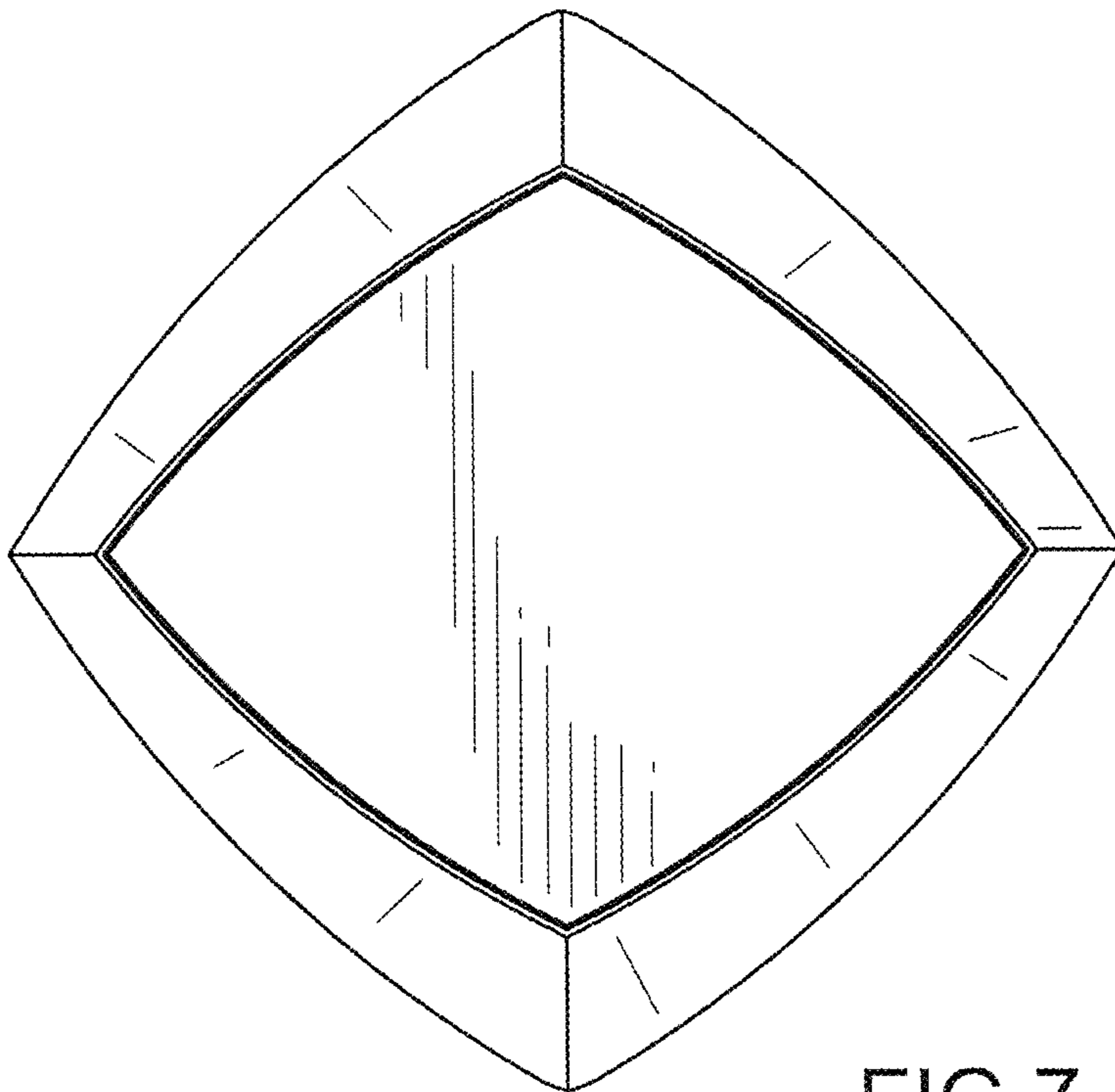


FIG. 7