



US00D837079S

(12) **United States Design Patent** (10) **Patent No.:** **US D837,079 S**  
**Mansen et al.** (45) **Date of Patent:** **\*\* Jan. 1, 2019**

(54) **PERSONAL SAFETY ALARM**  
(71) Applicants: **Samuel Mansen**, San Francisco, CA (US); **Shubhankar Basu**, San Francisco, CA (US)  
(72) Inventors: **Samuel Mansen**, San Francisco, CA (US); **Shubhankar Basu**, San Francisco, CA (US)  
(73) Assignee: **USA INNOVATIONS INC**, Sanford, NC (US)  
(\*\*) Term: **15 Years**  
(21) Appl. No.: **29/580,227**  
(22) Filed: **Oct. 6, 2016**  
(51) **LOC (11) Cl.** ..... **10-05**  
(52) **U.S. Cl.**  
USPC ..... **D10/106.1**  
(58) **Field of Classification Search**  
USPC ..... D10/104.1, 104.2, 106.1, 109.2;  
D14/138 R  
See application file for complete search history.

D385,208 S \* 10/1997 Chui ..... D10/104.1  
D386,704 S \* 11/1997 Chang ..... D10/106.1  
D414,128 S \* 9/1999 Toyota ..... D10/104.1  
D418,769 S \* 1/2000 Yuen ..... D10/106.1  
D448,695 S \* 10/2001 Yuen ..... D10/106.1  
D483,683 S 12/2003 Brown et al.  
D800,085 S \* 10/2017 Shepher ..... D14/138 R

\* cited by examiner

*Primary Examiner* — George D. Kirschbaum  
(74) *Attorney, Agent, or Firm* — Dunlap Bennett & Ludwig PLLC; Brendan E. Squire

(57) **CLAIM**

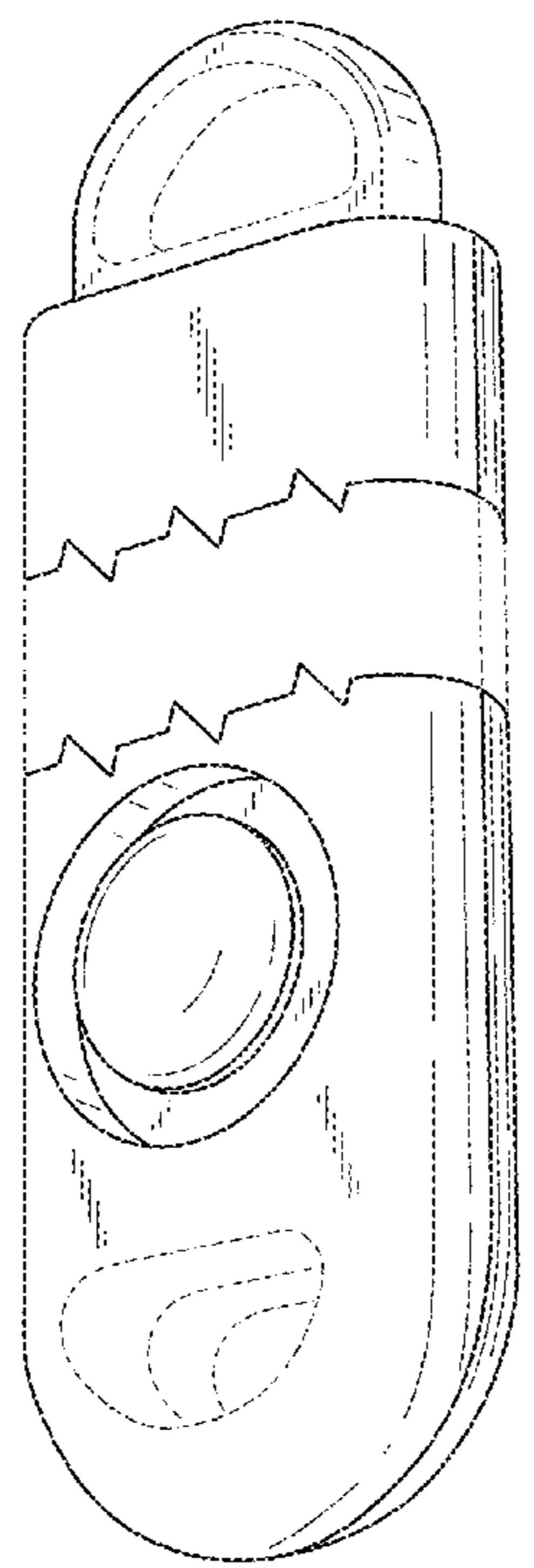
The ornamental design for a personal safety alarm, as shown and described.

**DESCRIPTION**

FIG. 1 is a front perspective view of the personal safety alarm;  
FIG. 2 is a front elevation view thereof;  
FIG. 3 is a rear elevation view thereof;  
FIG. 4 is a left side elevation view thereof, the right side elevation view being a mirror image thereof;  
FIG. 5 is a top plan view thereof;  
FIG. 6 is a bottom plan view thereof; and,  
FIG. 7 is an exploded front perspective view thereof.  
The broken lines shown in the drawings illustrate portions of the personal safety alarm that form no part of the claimed design.  
The personal safety alarm is shown with a symbolic break in its length. The appearance of any portion of the article between the break lines forms no part of the claimed design.

**1 Claim, 4 Drawing Sheets**

(56) **References Cited**  
U.S. PATENT DOCUMENTS  
D337,960 S \* 8/1993 Yuen ..... D10/106.1  
D338,844 S \* 8/1993 Savio ..... D10/106.1  
D355,863 S 2/1995 Collins  
D366,262 S \* 1/1996 Inaba ..... D10/104.1  
D373,318 S \* 9/1996 Berch ..... D10/106.1  
D374,190 S \* 10/1996 Yuen ..... D10/109.2



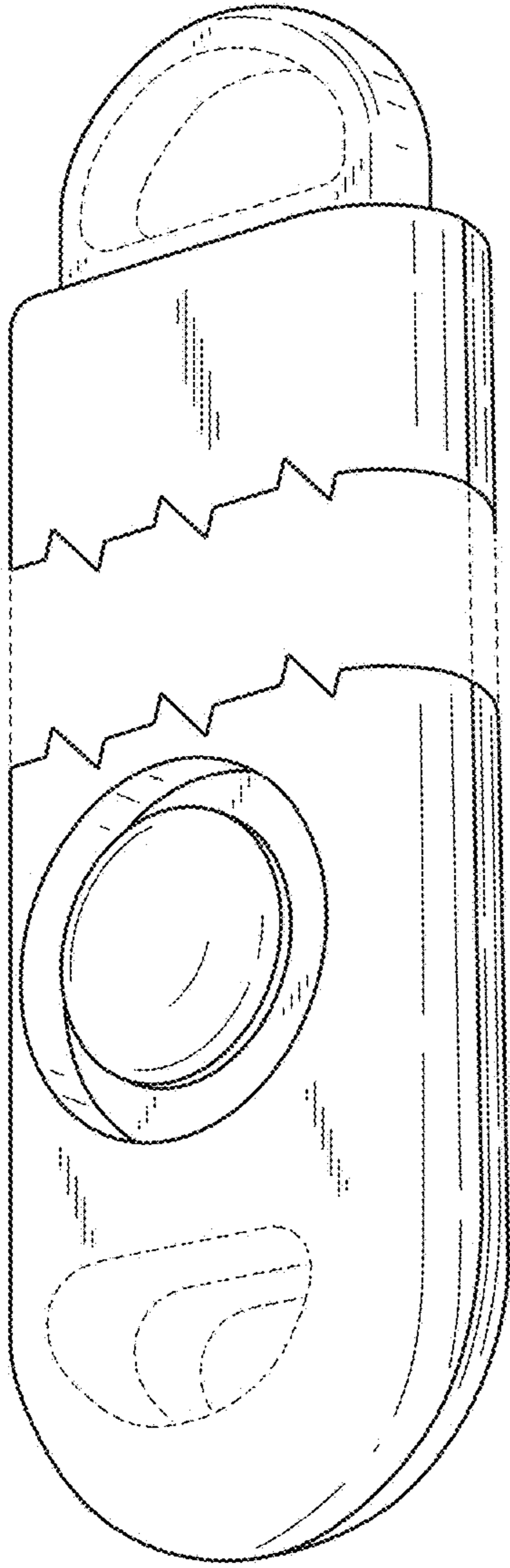


FIG. 1

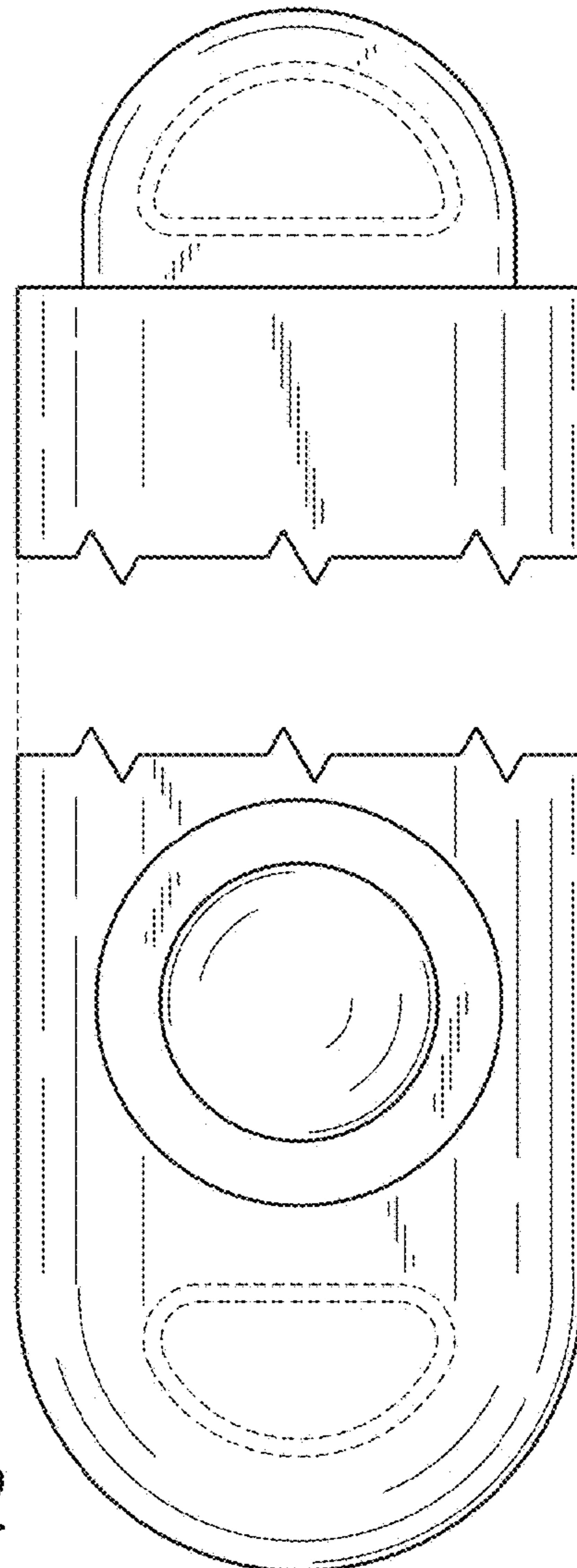


FIG. 2

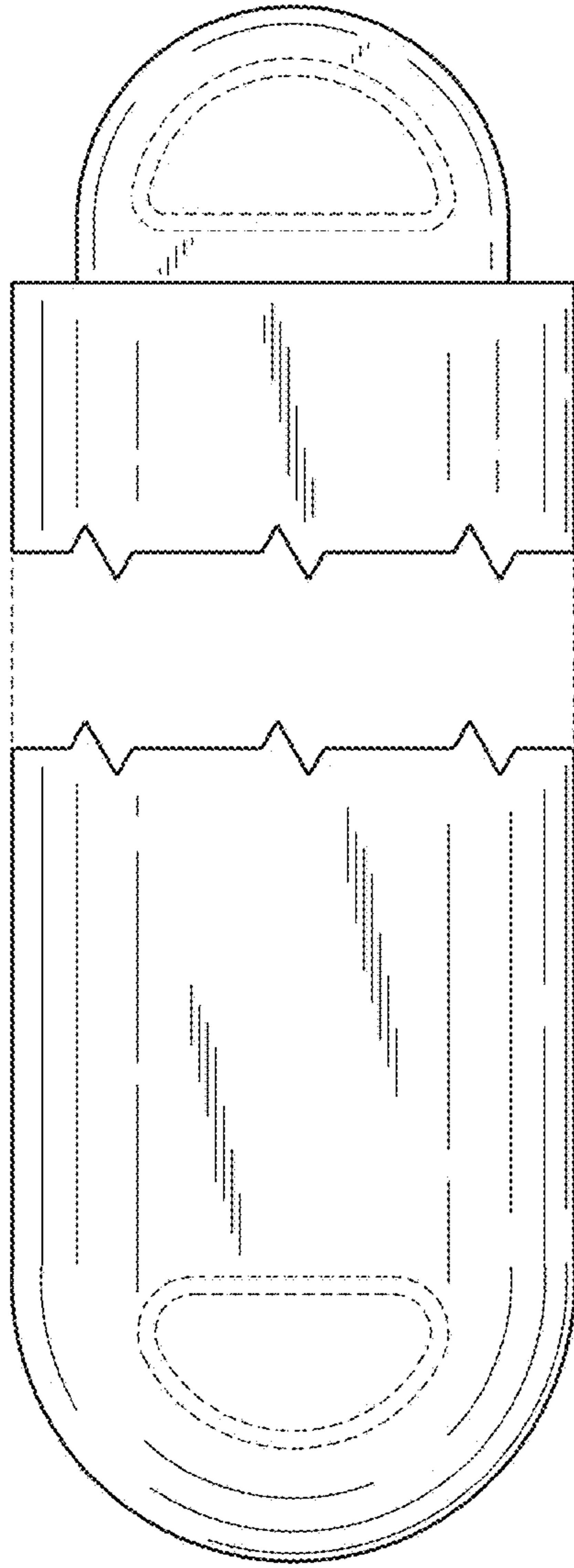


FIG. 3

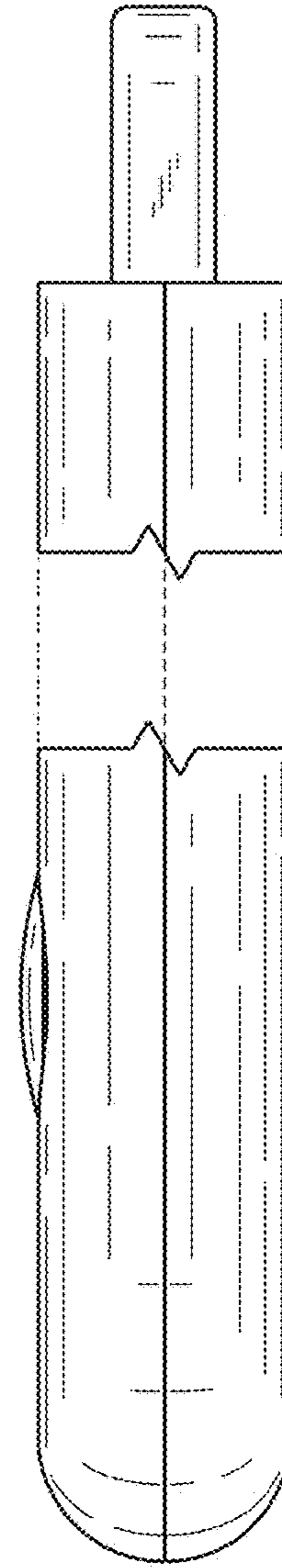


FIG. 4

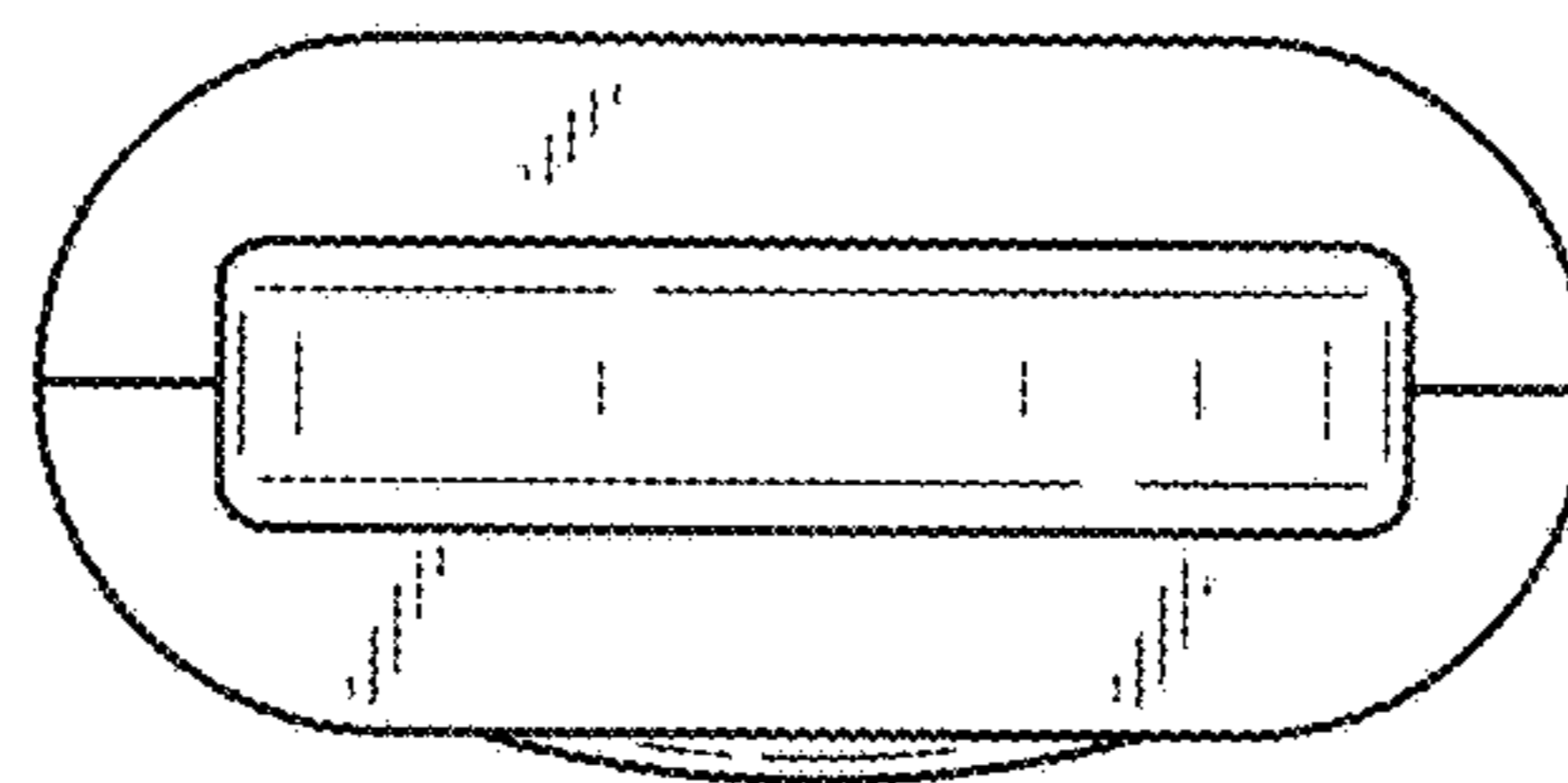


FIG. 5

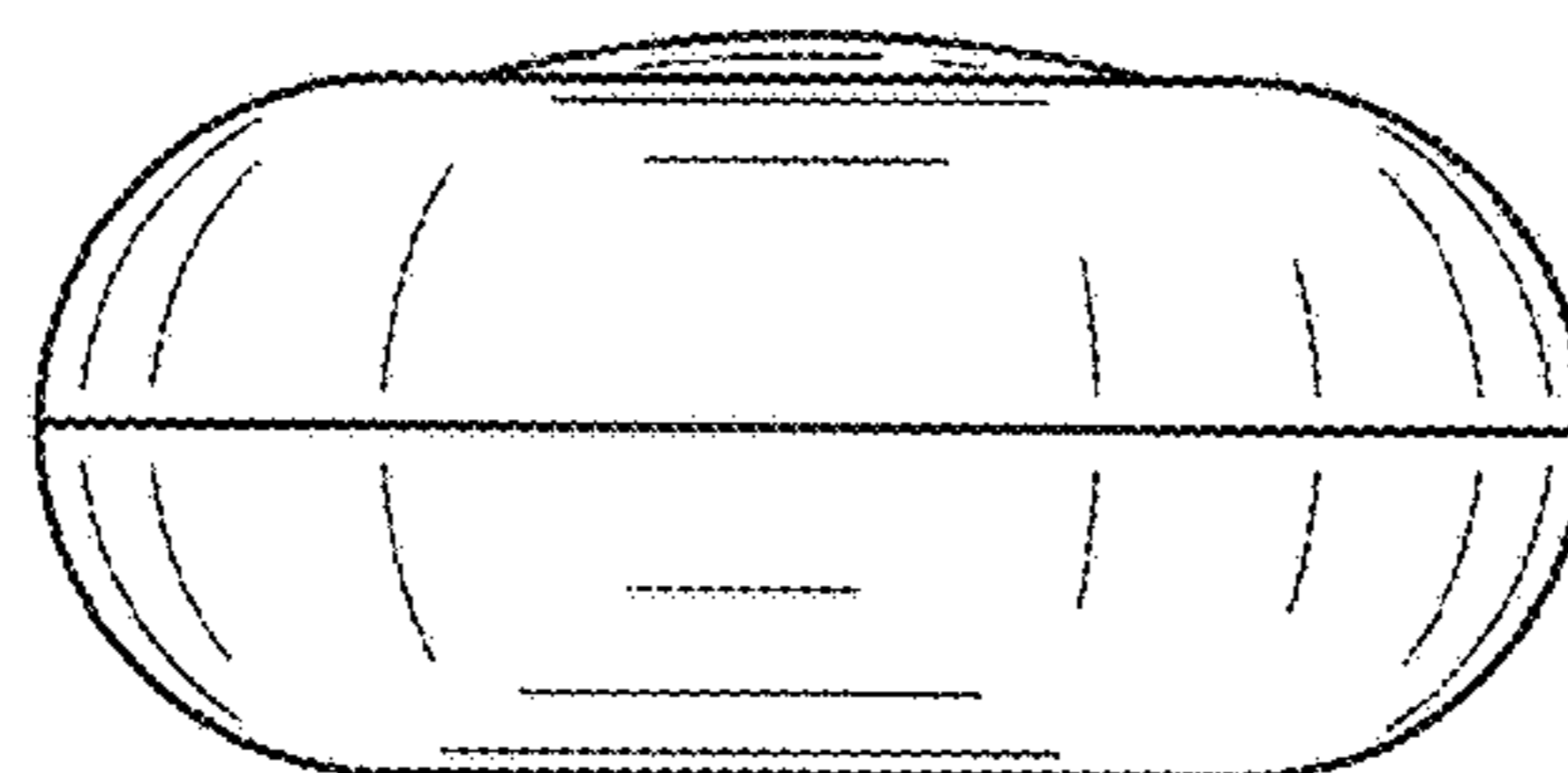


FIG. 6

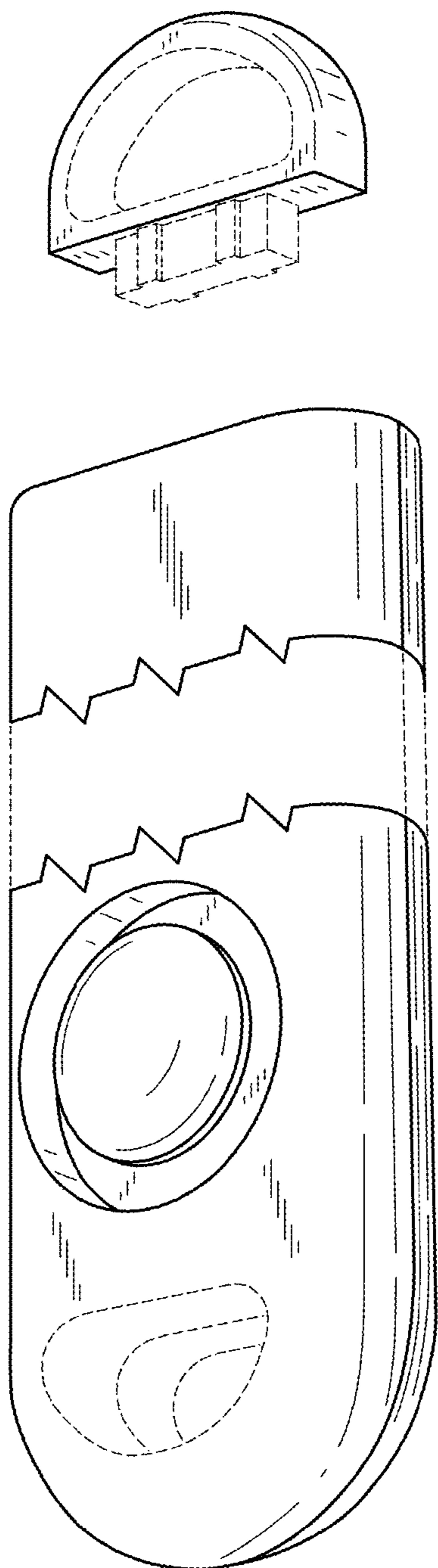


FIG. 7