



US00D837078S

(12) **United States Design Patent**
Elliott

(10) **Patent No.:** **US D837,078 S**

(45) **Date of Patent:** **** Jan. 1, 2019**

(54) **SOLUTION MONITORING APPARATUS**

2013/0118274 A1* 5/2013 Leyer G01N 33/1886
73/864.51

(71) Applicant: **AQUASEND**, Vista, CA (US)

* cited by examiner

(72) Inventor: **Kristin Elliott**, Vista, CA (US)

Primary Examiner — Antoine Duval Davis

(73) Assignee: **AQUASEND**, Vista, CA (US)

(74) *Attorney, Agent, or Firm* — Sheppard Mullin Richter & Hampton LLP

(**) Term: **15 Years**

(57) **CLAIM**

(21) Appl. No.: **29/628,094**

I claim an ornamental design for a solution monitoring apparatus, as shown and described.

(22) Filed: **Dec. 1, 2017**

(51) **LOC (11) Cl.** **10-04**

DESCRIPTION

(52) **U.S. Cl.**

USPC **D10/81**

(58) **Field of Classification Search**

USPC D10/81

CPC G01N 33/1886

See application file for complete search history.

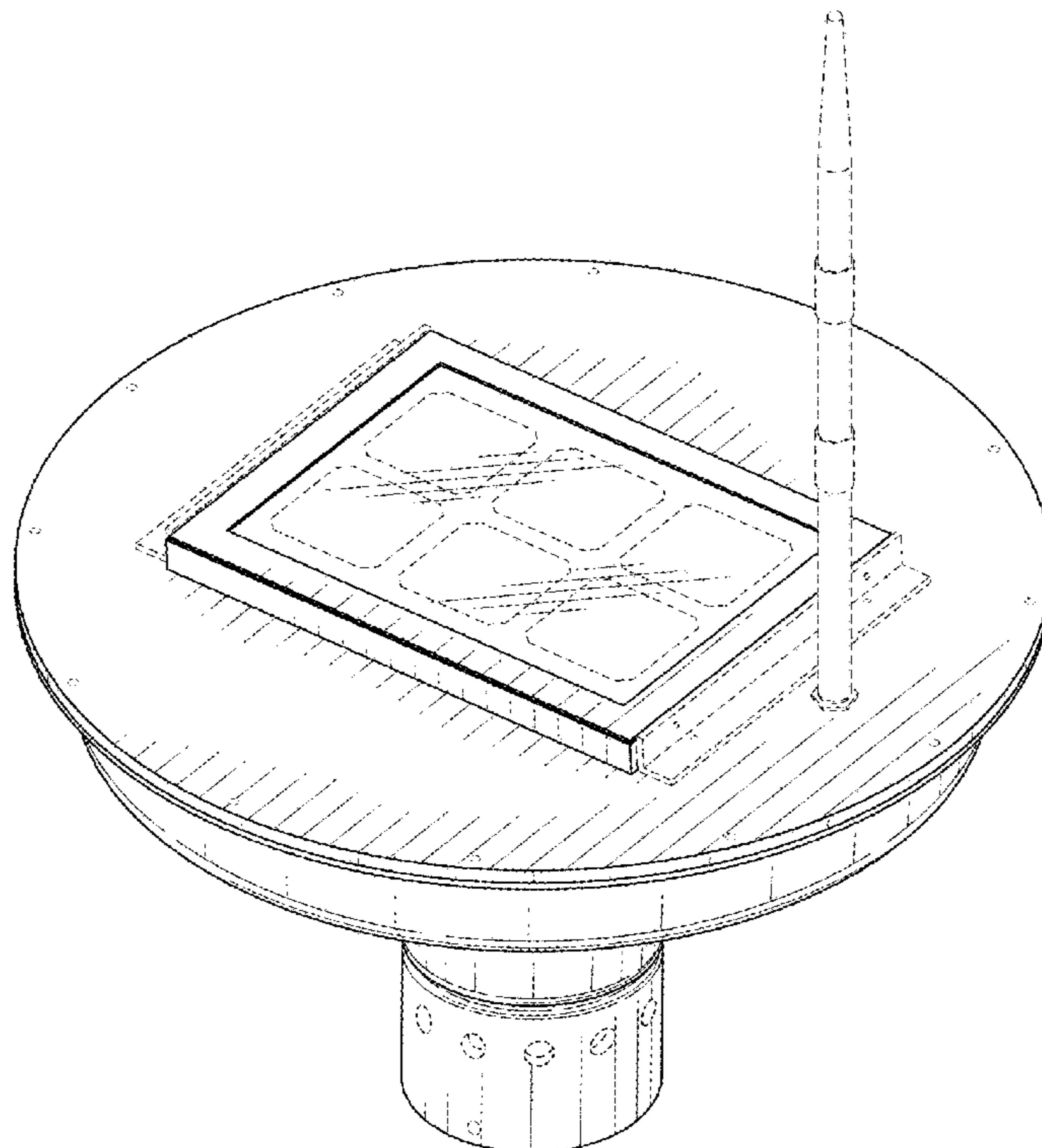
FIG. 1 is a perspective view of a solution monitoring apparatus;
FIG. 2 is a front view of a solution monitoring apparatus;
FIG. 3 is a side view of a solution monitoring apparatus;
FIG. 4 is a side view of a solution monitoring apparatus;
FIG. 5 is a top view of a solution monitoring apparatus; and,
FIG. 6 is a bottom view of a solution monitoring apparatus.
The dashed lines of the projectile and/or components thereof and unshaded areas within the dashed lines are for illustrative purposes only, and form no part of the claimed design.

(56) **References Cited**

U.S. PATENT DOCUMENTS

4,157,657 A * 6/1979 Hinchman G01N 33/1886
254/333

1 Claim, 6 Drawing Sheets



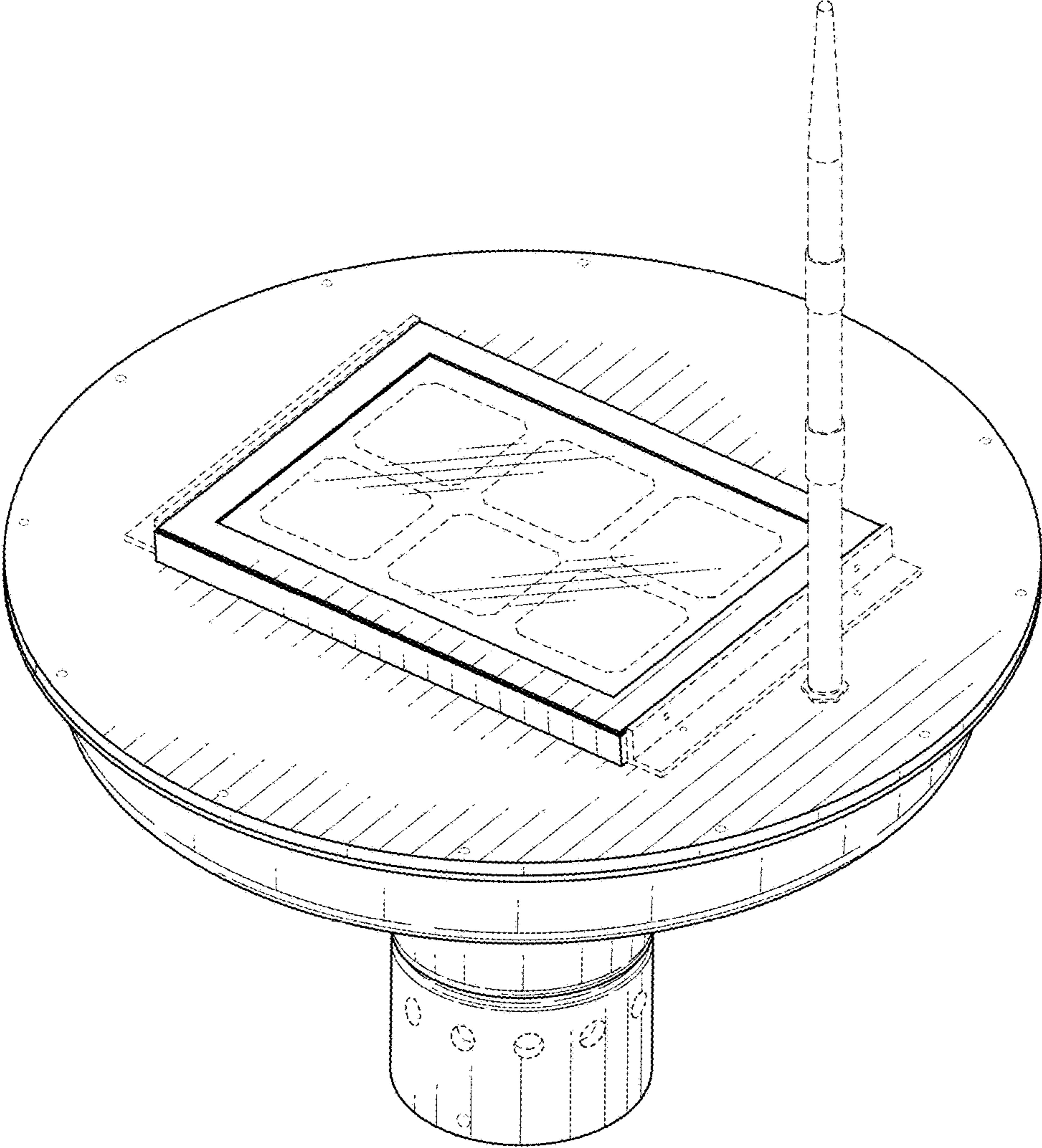


FIG. 1

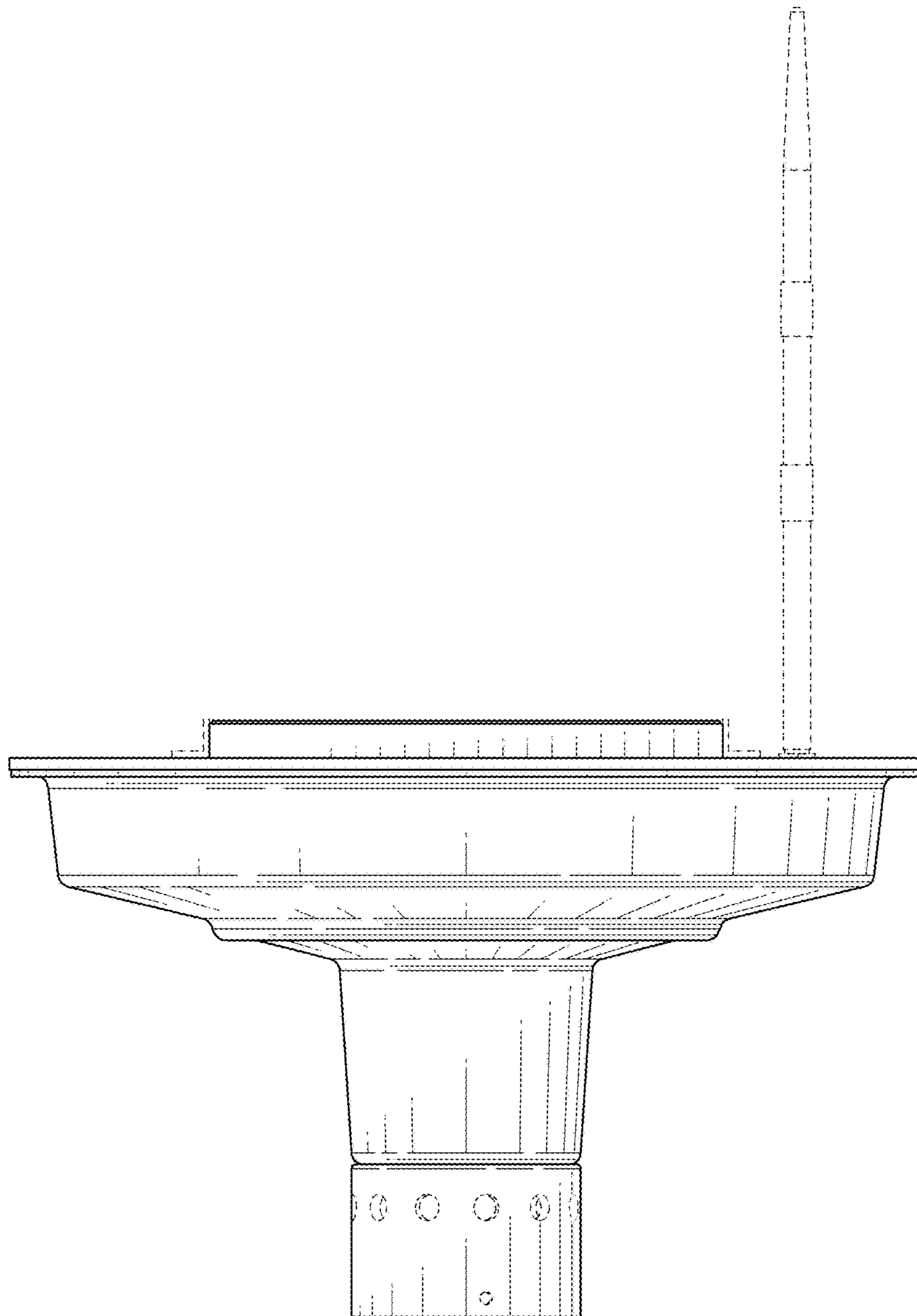


FIG. 2

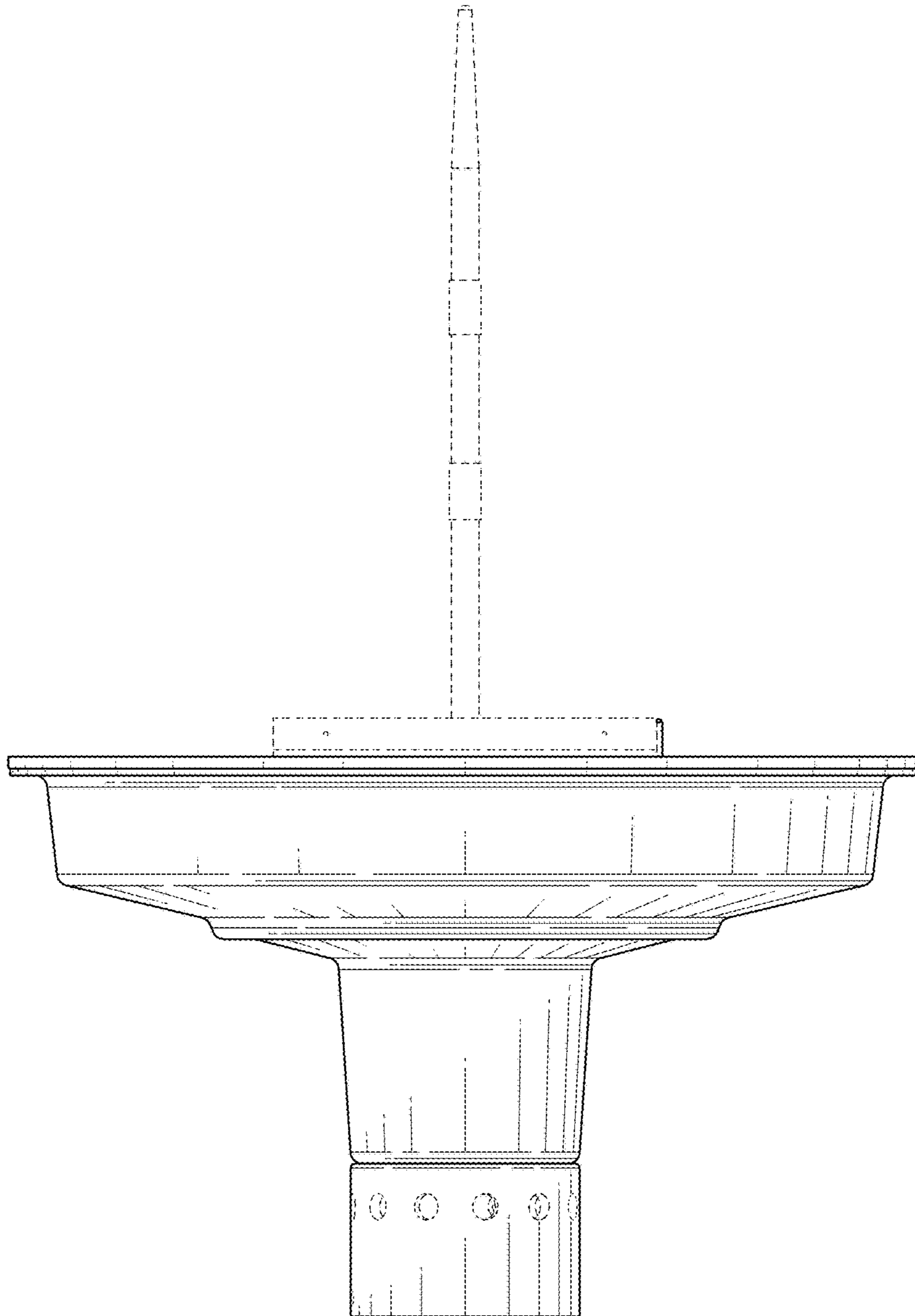


FIG. 3

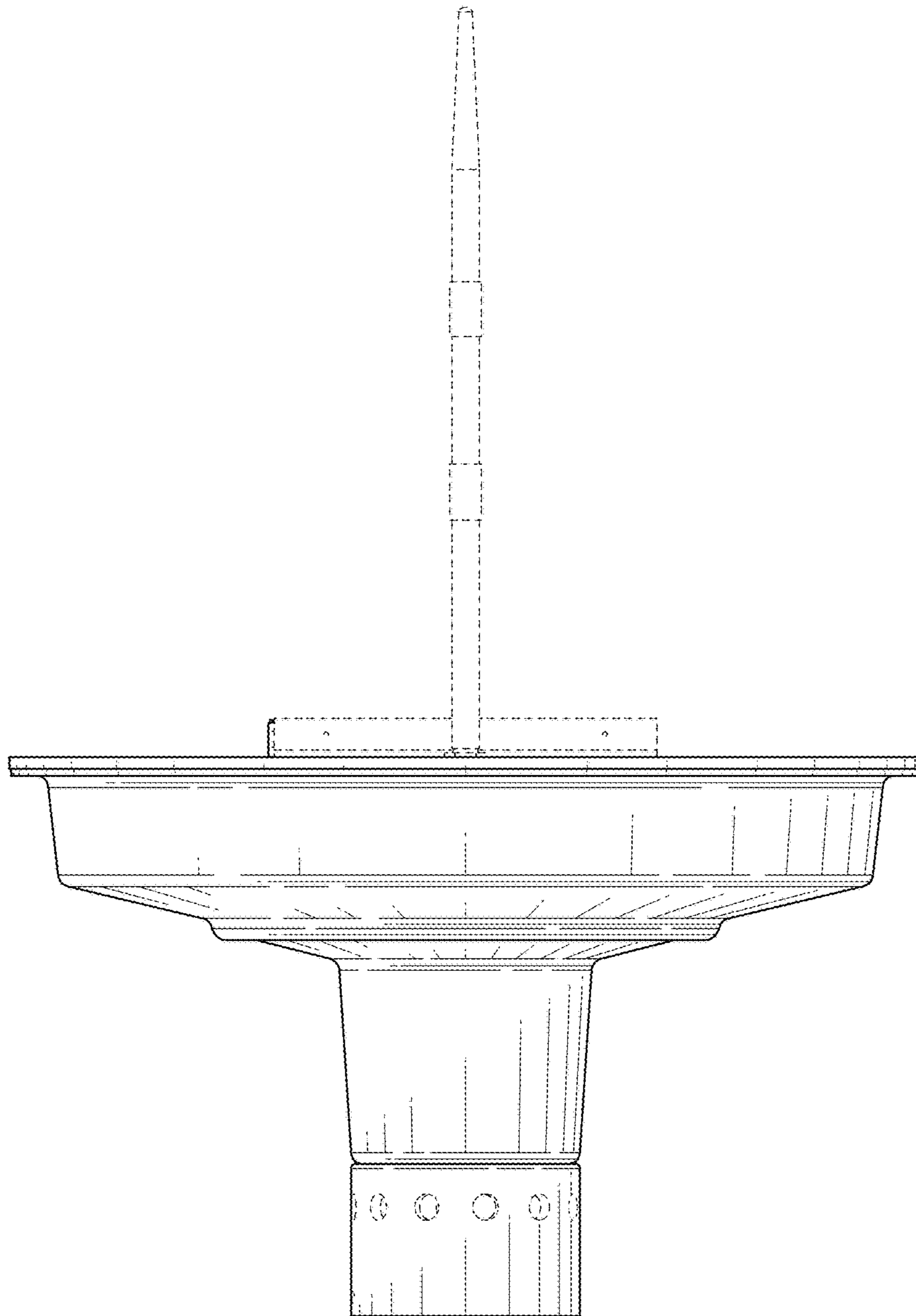


FIG. 4

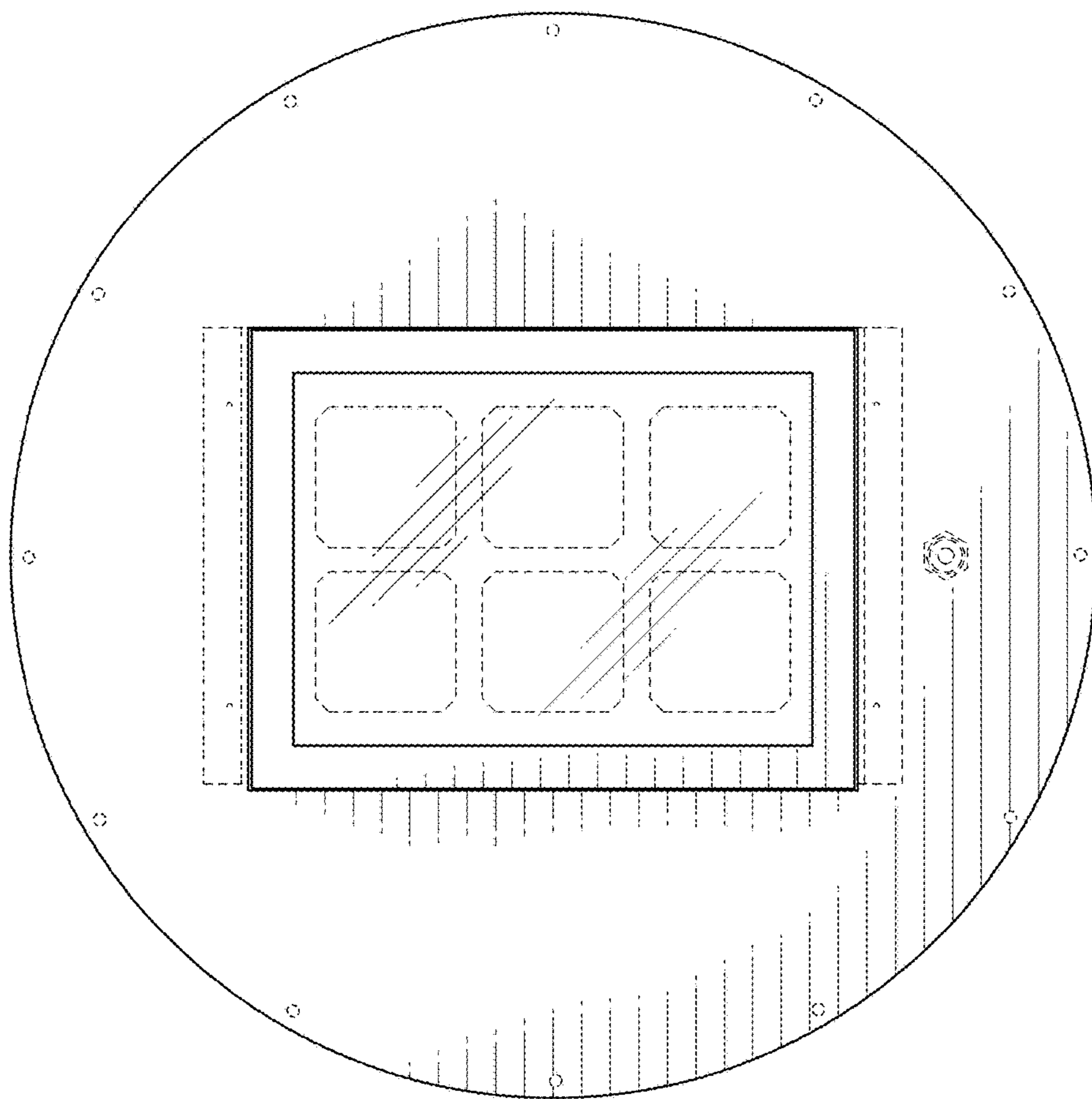


FIG. 5

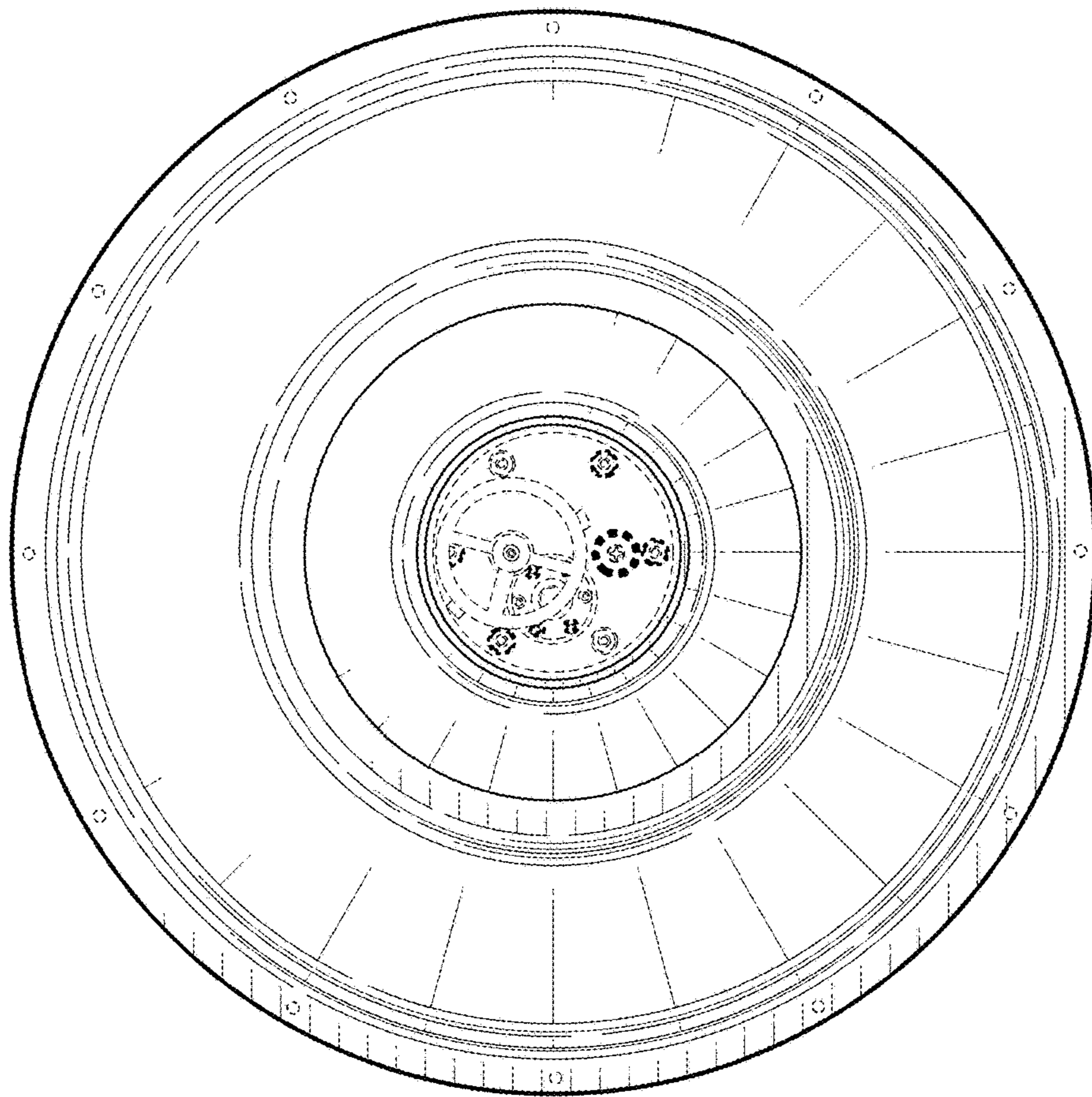


FIG. 6