



US00D837077S

(12) **United States Design Patent**
Narsimhan et al.

(10) **Patent No.:** **US D837,077 S**
(45) **Date of Patent:** **** Jan. 1, 2019**

(54) **WIRELESS LAN SITE SURVEY AND RAPID DEPLOYMENT KIT**

(71) Applicant: **HiveRadar Inc.**, Toronto, Ontario (CA)

(72) Inventors: **Rahul Narsimhan**, Toronto (CA); **Mike Cirillo**, Toronto (CA)

(73) Assignee: **HiveRadar Inc.**, Toronto (CA)

(**) Term: **15 Years**

(21) Appl. No.: **29/604,359**

(22) Filed: **May 17, 2017**

(51) **LOC (11) Cl.** **10-04**

(52) **U.S. Cl.**
USPC **D10/80**

(58) **Field of Classification Search**
USPC D3/201, 273, 274, 278, 279; D10/49, 75, D10/78, 80; D14/230, 238.1, 432
CPC H04W 16/18; H04W 16/20; H04W 24/00; H04W 24/02; H04W 24/04; H04W 24/06; H04W 24/08; H04W 24/10; H04W 84/18; H04W 84/20; H04W 84/22
See application file for complete search history.

(56) **References Cited**

U.S. PATENT DOCUMENTS

D241,726 S	*	10/1976	D'Antonio	D10/46
D280,804 S	*	10/1985	Hardy	D10/75
D319,987 S	*	9/1991	Ueno	D10/78
D765,972 S	*	9/2016	Daniel	D3/274

* cited by examiner

Primary Examiner — Antoine Duval Davis
(74) *Attorney, Agent, or Firm* — Chumak & Company LLP

(57) **CLAIM**

The ornamental design for a wireless LAN site survey and rapid deployment kit, as shown and described herein.

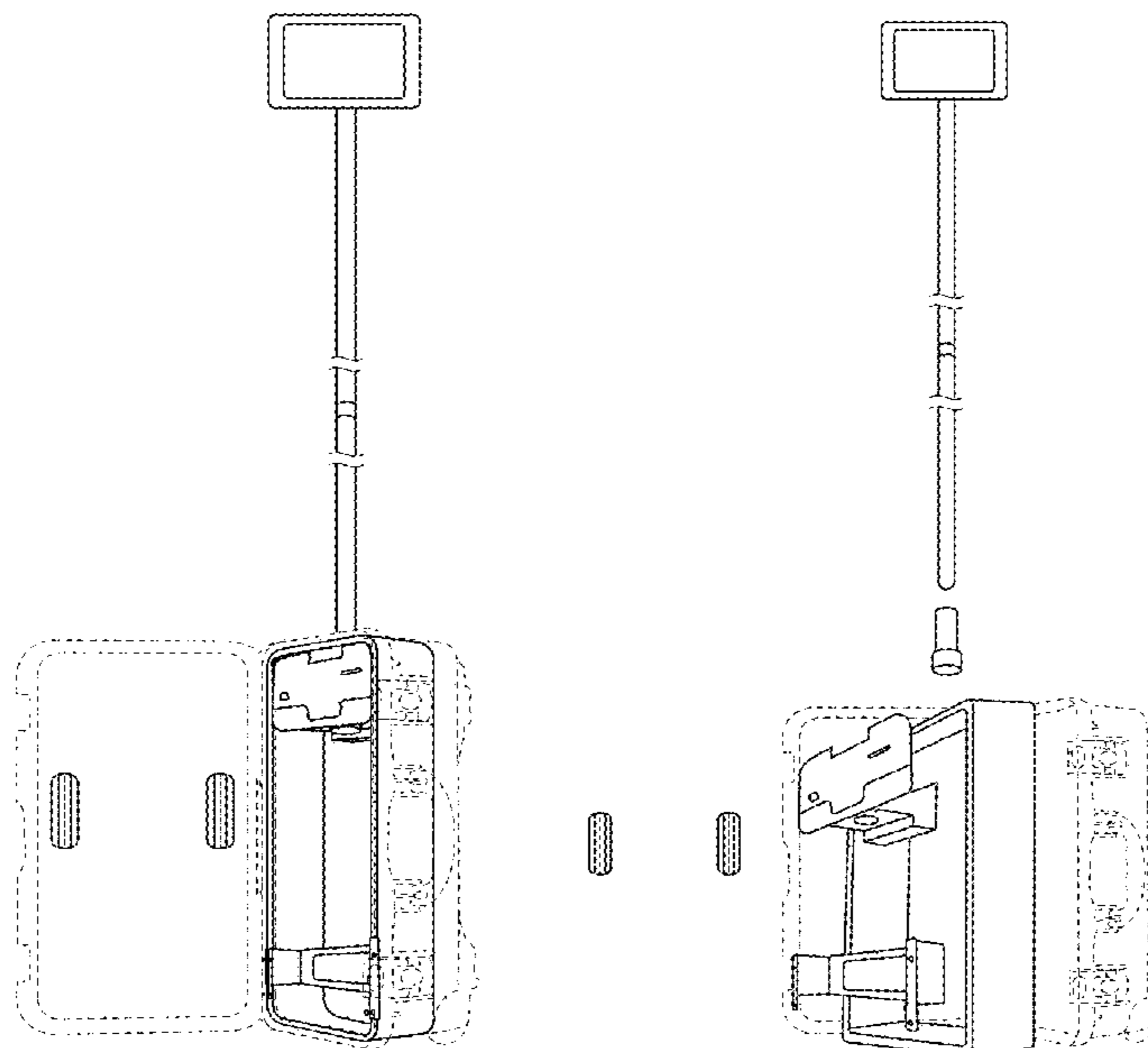
DESCRIPTION

FIG. 1 is a perspective view of the wireless LAN site survey and rapid deployment kit of the claimed design;
FIG. 2 is an extended view thereof, showing the mounting pole, collar, clamps, and interior assembly apart from the case;
FIG. 3 is a front view thereof;
FIG. 4 is a right side view thereof;
FIG. 5 is a rear view thereof;
FIG. 6 is a left side view thereof;
FIG. 7 is a top plan view thereof; and,
FIG. 8 is a bottom plan view thereof.

The features shown in broken lines do not form part of the claimed design.

The article is shown with a symbolic break in its length. The appearance of any portion of the article between the break lines forms no part of the claimed design.

1 Claim, 7 Drawing Sheets



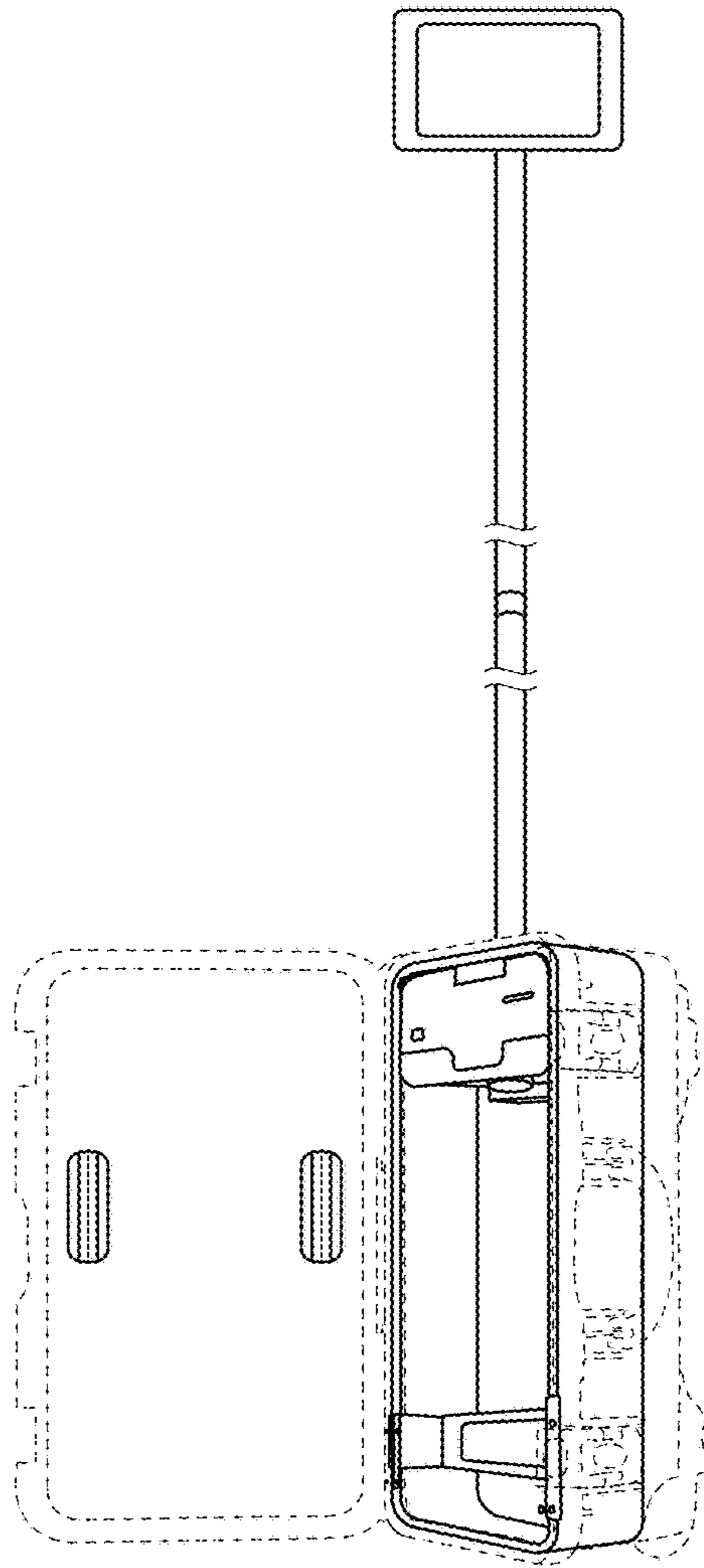


FIG. 1

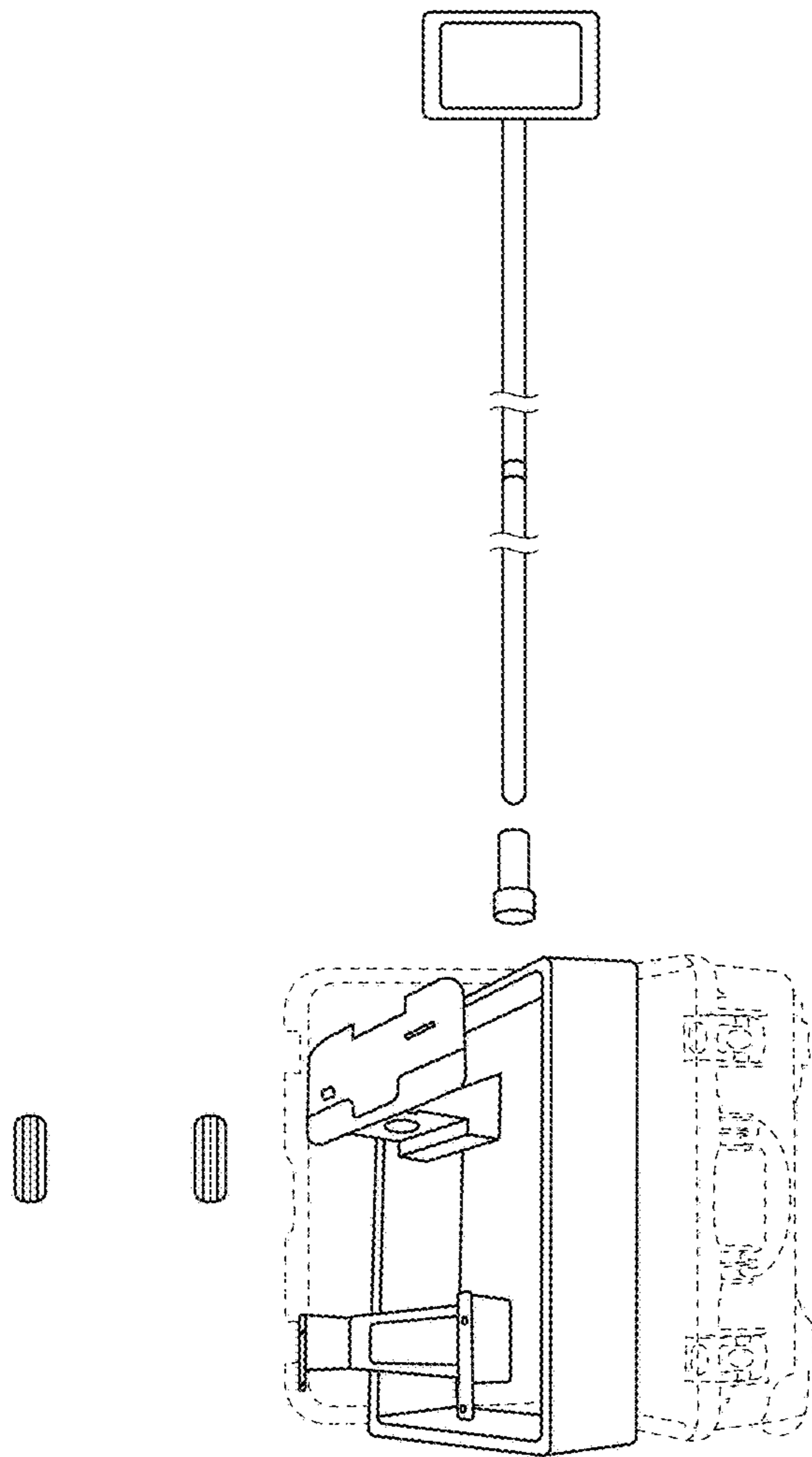


FIG. 2

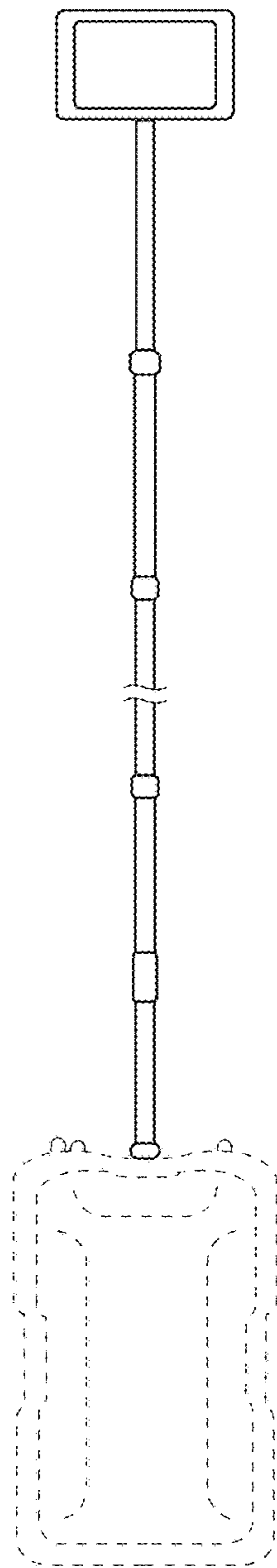


FIG. 3

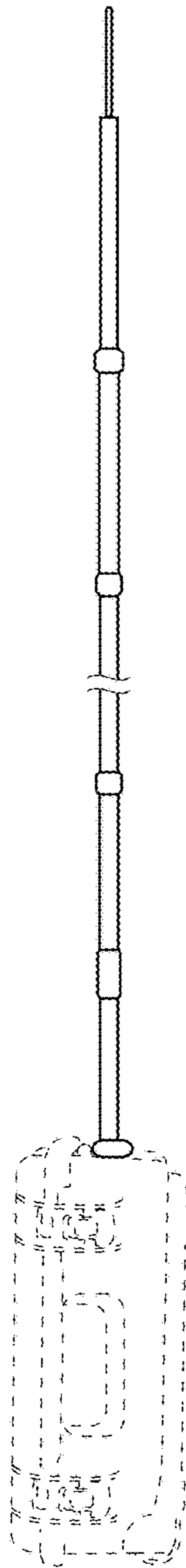


FIG. 4

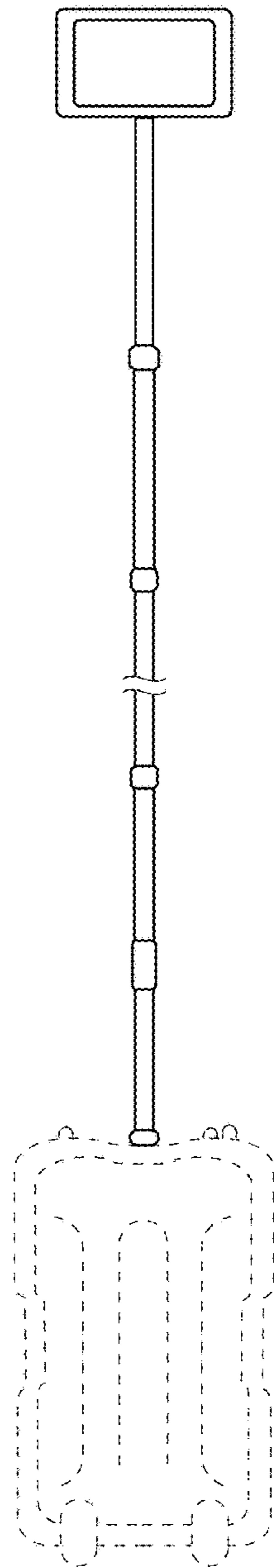


FIG. 5

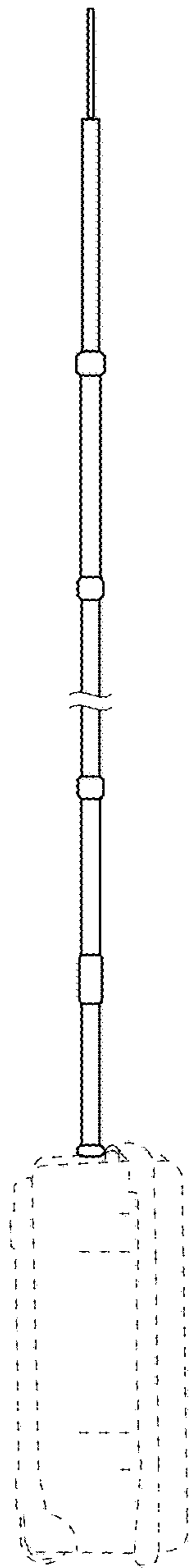


FIG. 6

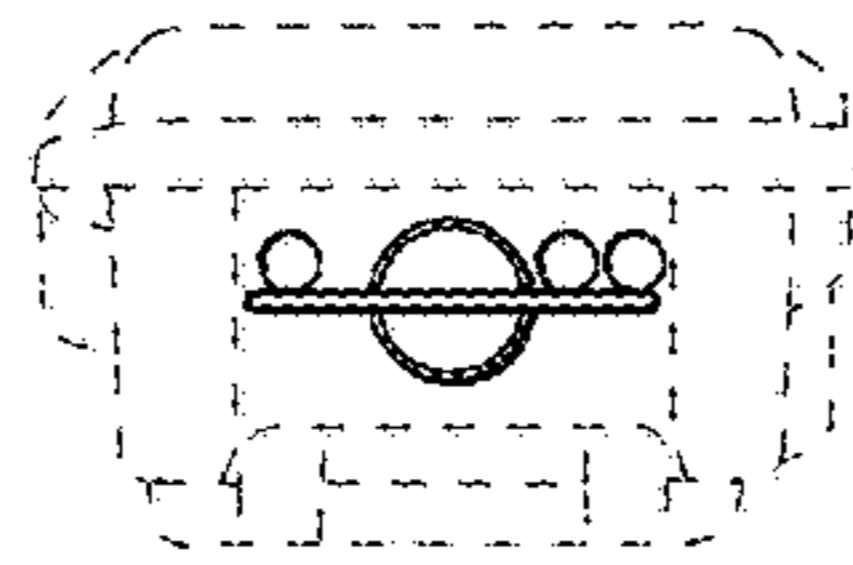


FIG. 7

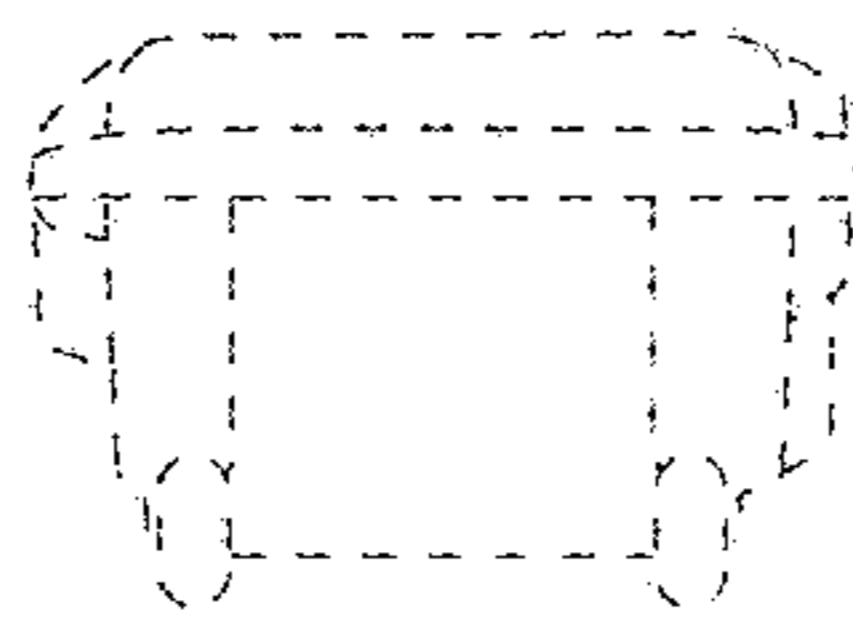


FIG. 8