



US00D837076S

(12) **United States Design Patent**  
**Fu**

(10) **Patent No.:** **US D837,076 S**

(45) **Date of Patent:** **\*\* Jan. 1, 2019**

- (54) **INTELLIGENT DIGITAL MULTIMETER**
- (71) Applicant: **Huizhou FuYi Electronic Technology Co., Ltd.**, Huizhou (CN)
- (72) Inventor: **Chenqin Fu**, Huizhou (CN)
- (\*\*) Term: **15 Years**
- (21) Appl. No.: **29/619,864**
- (22) Filed: **Oct. 2, 2017**
- (51) **LOC (11) Cl.** ..... **10-04**
- (52) **U.S. Cl.**  
USPC ..... **D10/78**
- (58) **Field of Classification Search**  
USPC ..... D10/78  
CPC ..... G01R 1/22; G01R 1/04; G01R 15/125;  
G01R 15/181; G01R 15/186; G01R 15/12;  
G01R 15/04; G01R 15/06; G01R 19/2503;  
G01R 1/20; G01R 1/203; G01R 1/206;  
G01R 1/24; G01R 1/26; G01D 11/24;  
G06F 17/00  
See application file for complete search history.

- 8,405,380 B2 \* 3/2013 Marzynski ..... G01R 1/04  
324/114
- D684,073 S \* 6/2013 Elrod ..... D10/78
- D704,579 S \* 5/2014 Heishi ..... D10/78
- D705,099 S \* 5/2014 Heishi ..... D10/78
- D705,681 S \* 5/2014 Morishita ..... D10/78
- 8,983,785 B2 \* 3/2015 Panko ..... G01R 13/029  
324/113
- 9,121,870 B2 \* 9/2015 Nguyen ..... G01R 1/203
- D766,117 S \* 9/2016 Wong ..... D10/78
- D787,350 S \* 5/2017 Corrigan ..... D10/78
- 2011/0026196 A1 \* 2/2011 Laurino ..... G01D 11/24  
361/679.01

\* cited by examiner

*Primary Examiner* — Antoine D Davis  
(74) *Attorney, Agent, or Firm* — Novoclaims Patent Services LLC; Mei Lin Wong

(57) **CLAIM**

The ornamental design for an intelligent digital multimeter, as shown and described.

**DESCRIPTION**

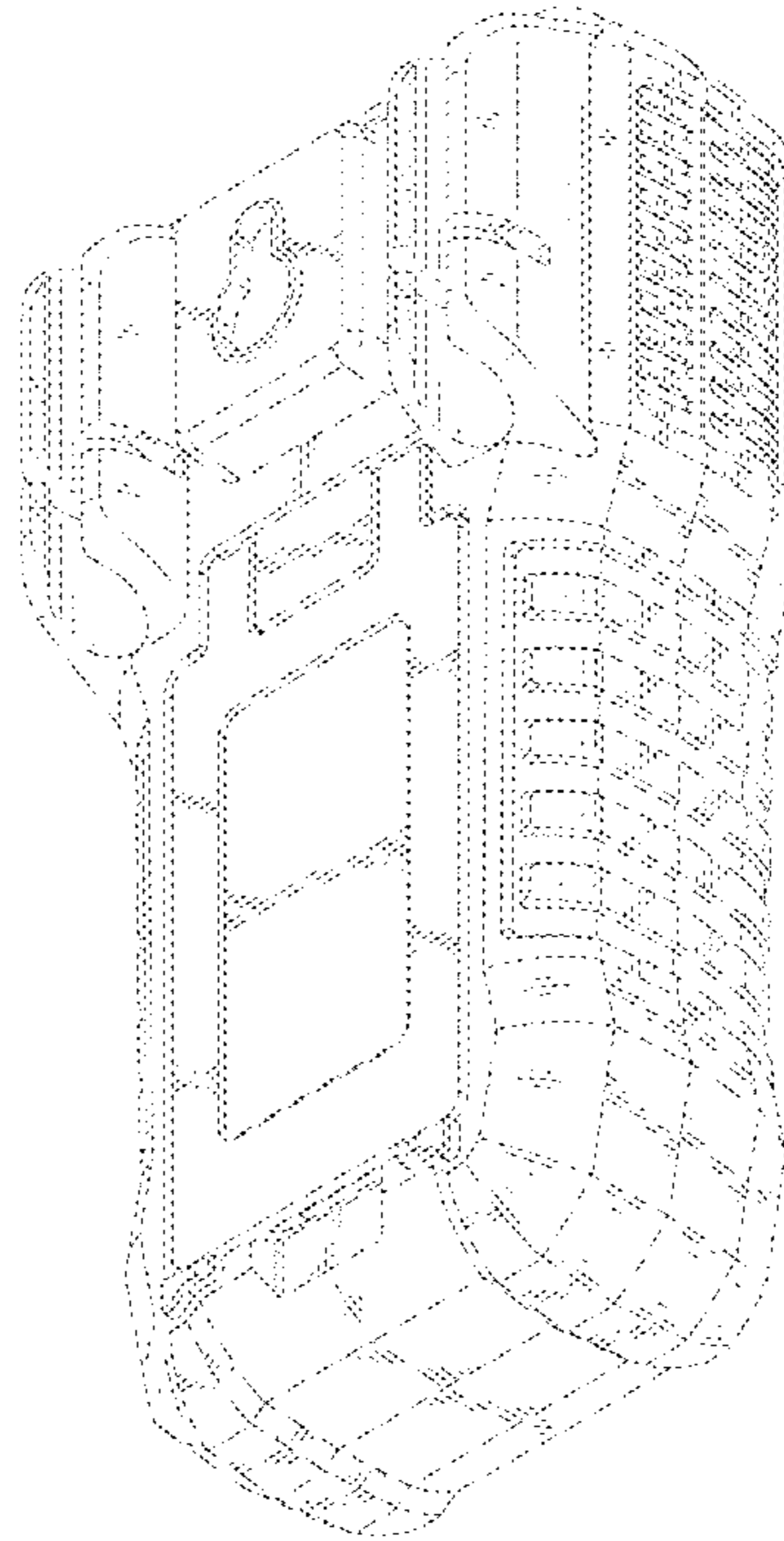
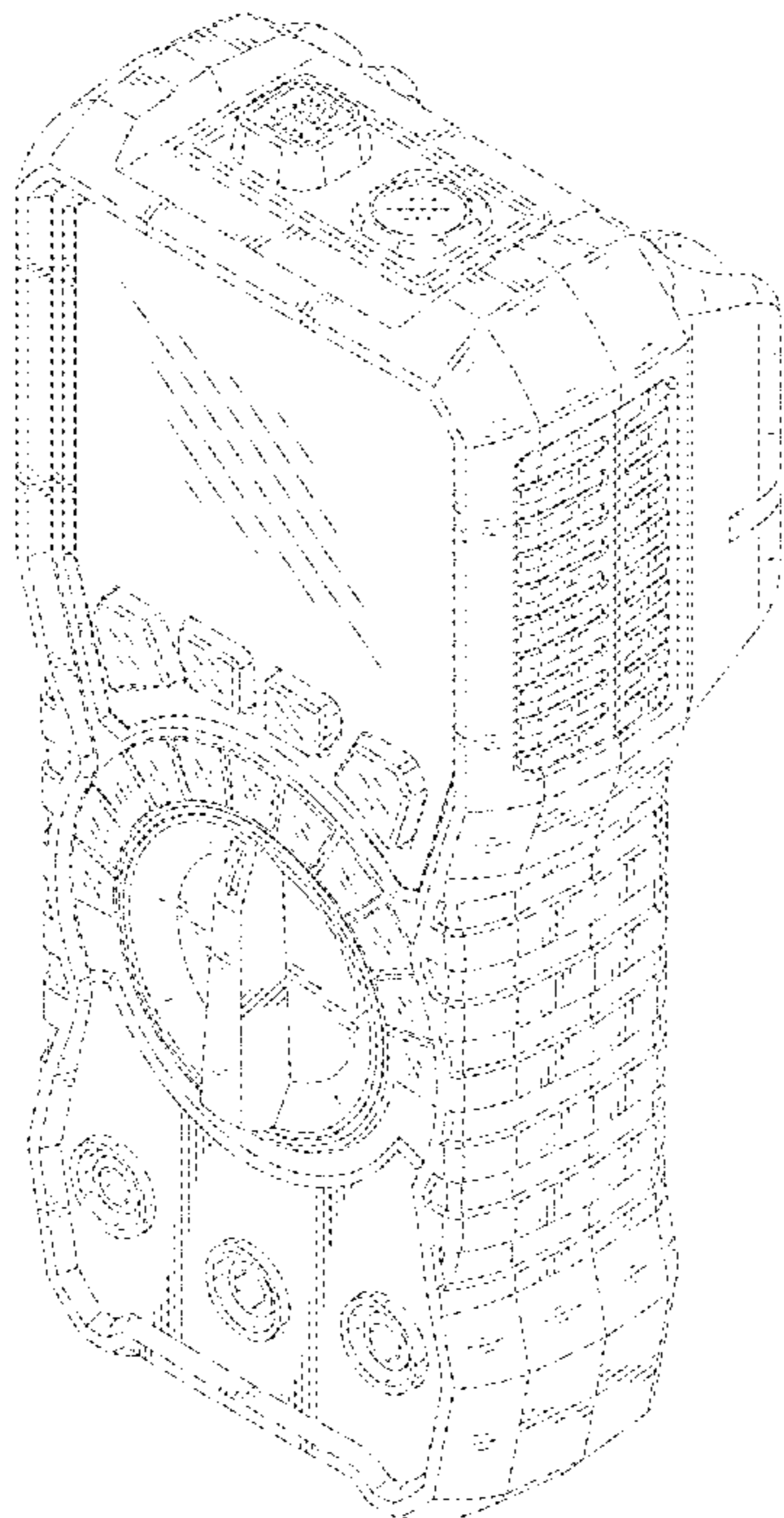
FIG. 1 is a perspective view of an intelligent digital multimeter, showing my new design.  
FIG. 2 is a rear perspective view thereof;  
FIG. 3 is a front elevational view thereof;  
FIG. 4 is a rear elevational view thereof;  
FIG. 5 is a left side view thereof;  
FIG. 6 is a right side view thereof;  
FIG. 7 is a top view thereof; and,  
FIG. 8 is a bottom view thereof.

**1 Claim, 8 Drawing Sheets**

(56) **References Cited**

**U.S. PATENT DOCUMENTS**

- D446,735 S \* 8/2001 McCain ..... D10/78
- D625,633 S \* 10/2010 Laurino ..... D10/78
- 7,911,200 B2 \* 3/2011 Worones ..... H05K 5/0017  
324/156
- D642,944 S \* 8/2011 Laurino ..... D10/78
- 8,093,516 B2 \* 1/2012 Worones ..... G01R 1/04  
200/11 DA
- 8,374,507 B2 \* 2/2013 Hudson ..... G08C 17/02  
398/115



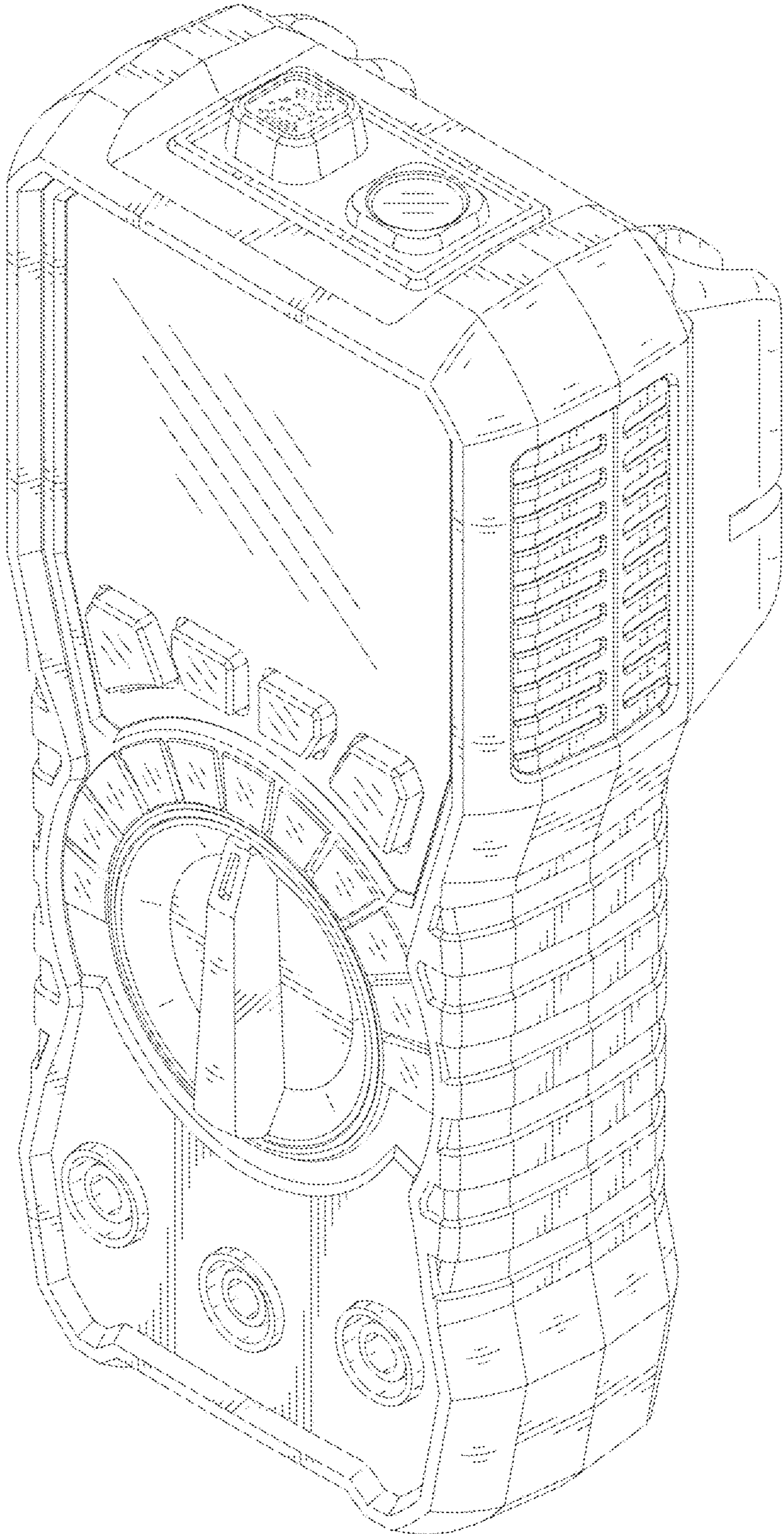


FIG.1

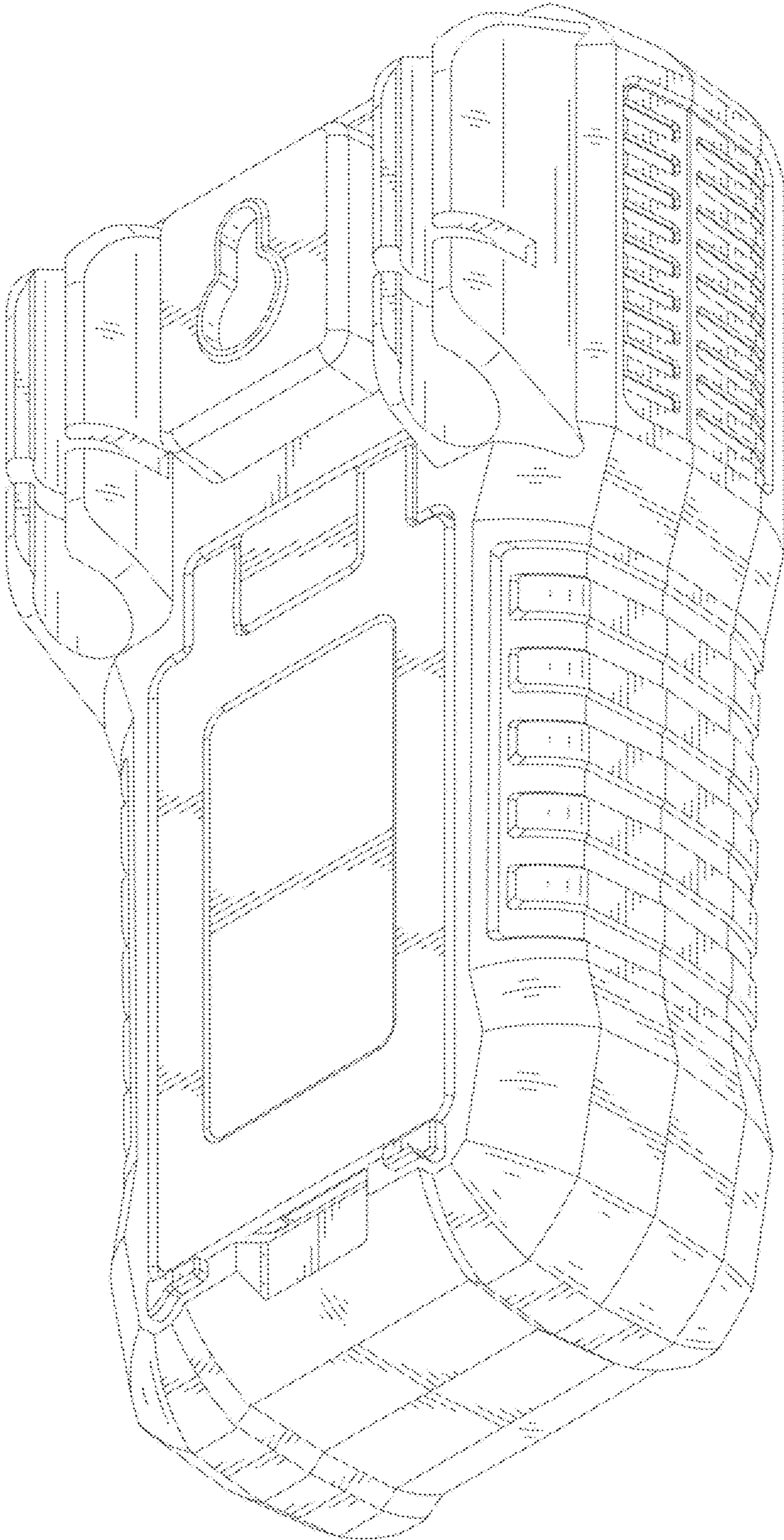


FIG.2

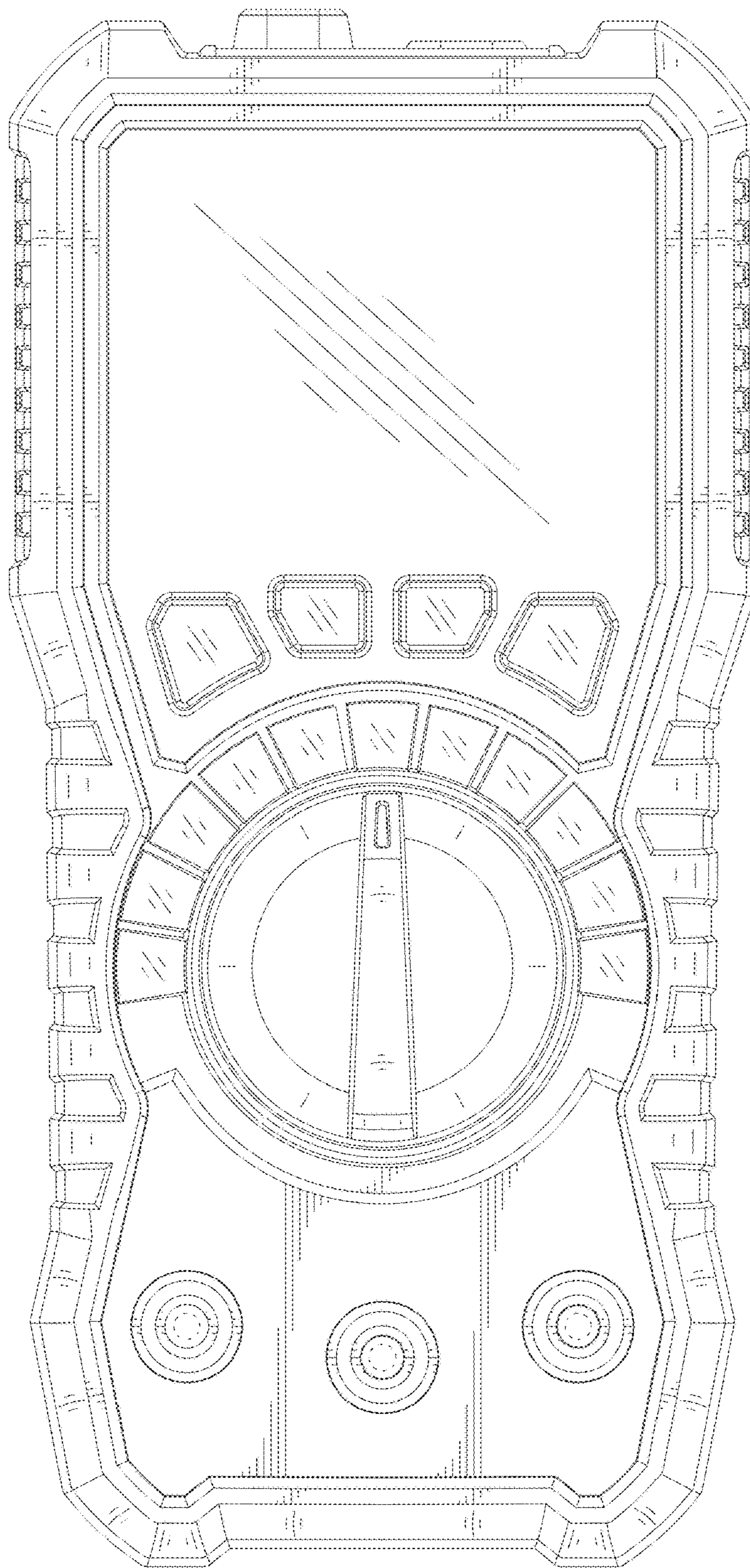


FIG.3

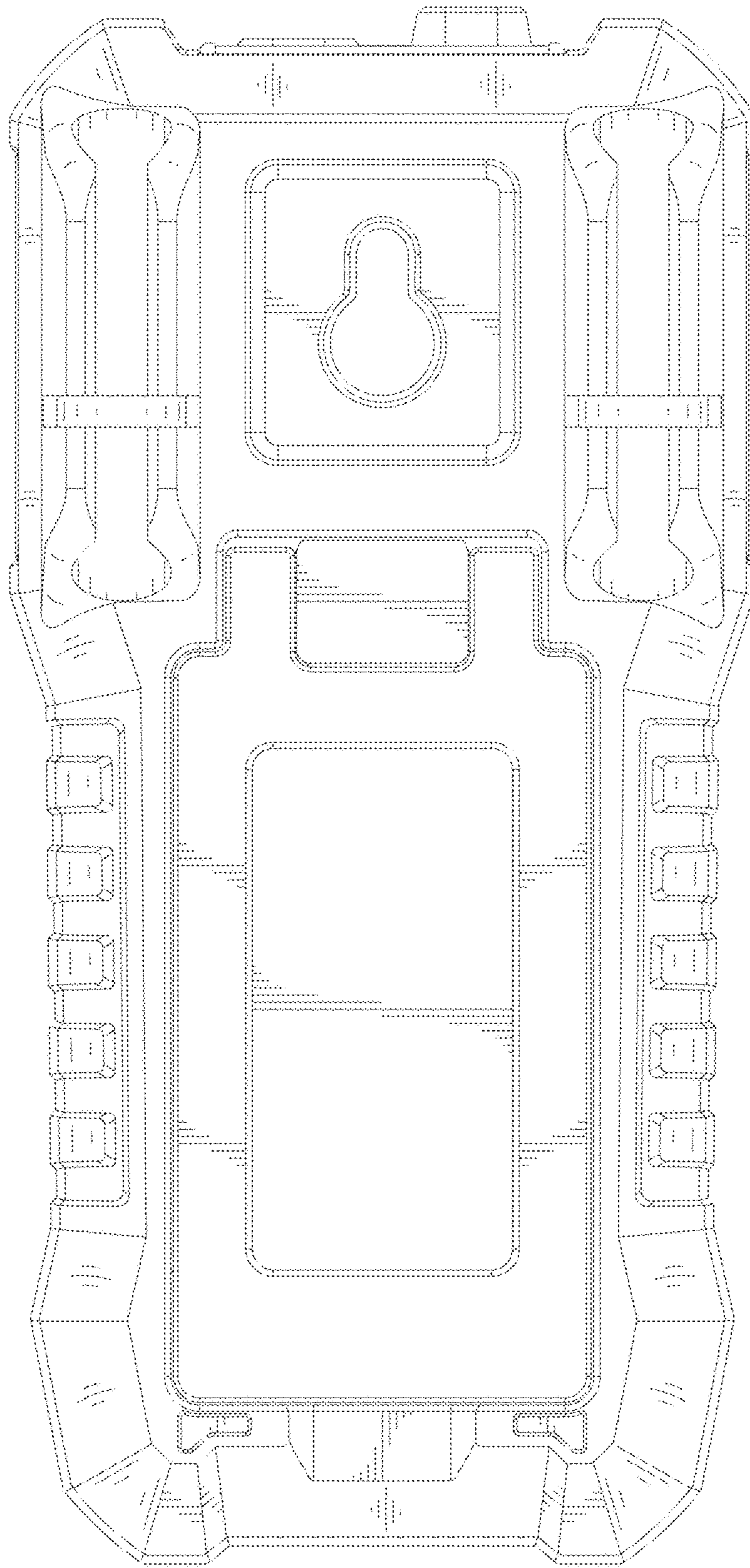


FIG. 4

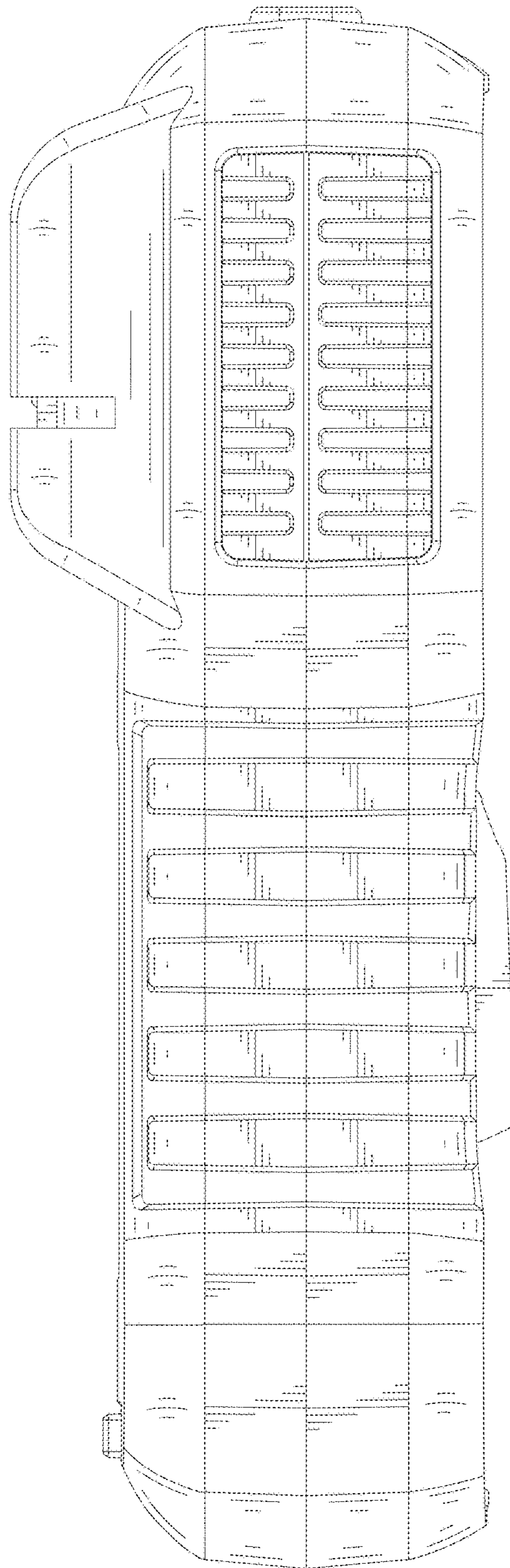


FIG.5

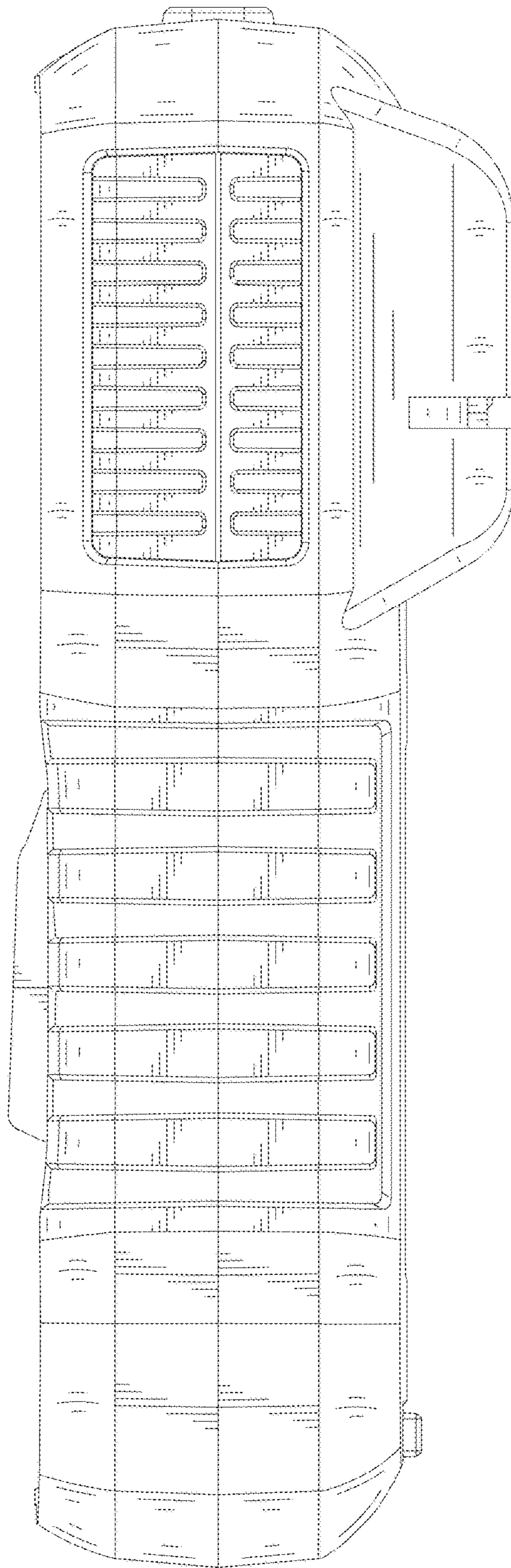


FIG.6

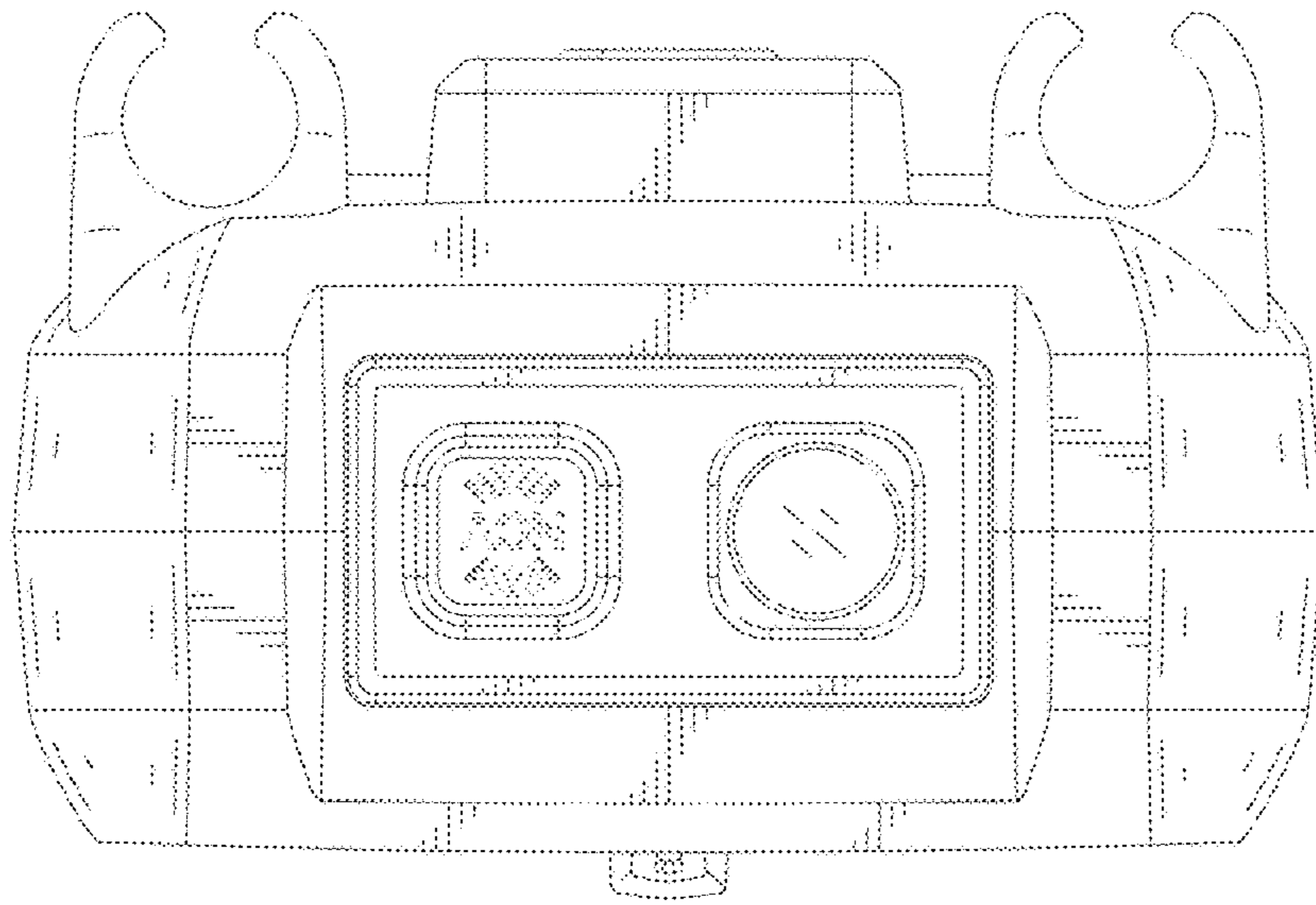


FIG.7



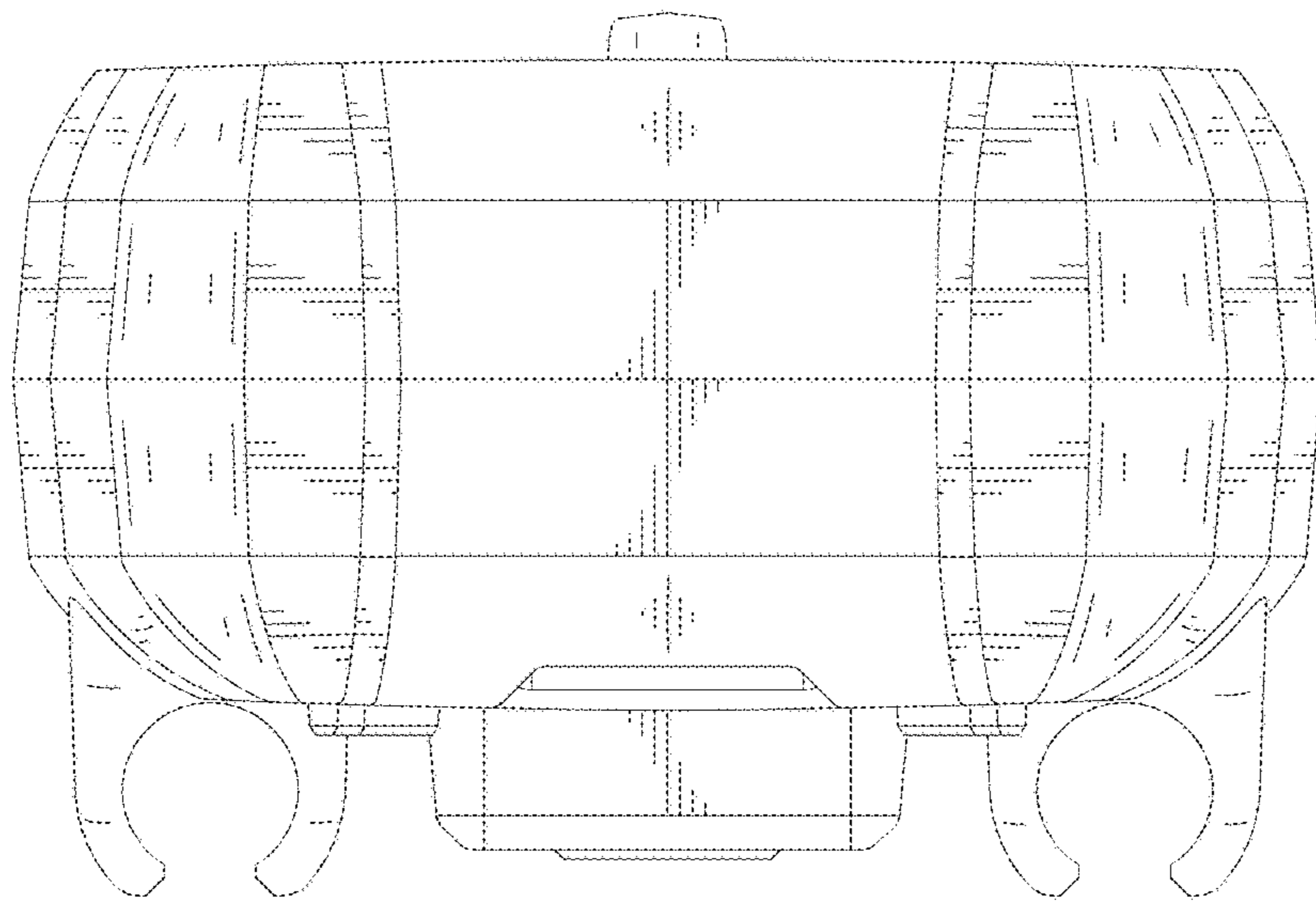


FIG.8