



US00D837074S

(12) **United States Design Patent**
Lu et al.

(10) **Patent No.:** **US D837,074 S**
(45) **Date of Patent:** **** Jan. 1, 2019**

(54) **AUTOMOTIVE DIAGNOSTIC AND ANALYSIS DEVICE**

(71) Applicant: **AUTEL INTELLIGENT TECHNOLOGY CORP., LTD.**,
Shenzhen, Guangdong (CN)

(72) Inventors: **Boming Lu**, Guangdong (CN); **Juntian Jiang**, Guangdong (CN)

(73) Assignee: **AUTEL INTELLIGENT TECHNOLOGY CORP., LTD.**,
Shenzhen, Guangdong (CN)

(**) Term: **15 Years**

(21) Appl. No.: **29/607,419**

(22) Filed: **Jun. 13, 2017**

(30) **Foreign Application Priority Data**

Dec. 15, 2016 (CN) 2016 3 0618619

(51) **LOC (11) Cl.** **10-04**

(52) **U.S. Cl.**
USPC **D10/78**

(58) **Field of Classification Search**

USPC D10/65, 70, 78
CPC G08B 21/187; G08B 21/182; G05B 15/02;
G07C 3/00; G07C 5/0808; G07C 5/085;
G07C 2205/02; G07C 5/00; G07C 5/002;
G07C 5/004; G07C 5/006; G07C 5/008;
G07C 5/02; G07C 5/04; G07C 5/06;
G07C 5/08; G07C 5/0816; G07C 5/0825;
G07C 5/0833; G07C 5/0841; G07C
5/0858; G07C 5/0866; G07C 5/0875;
G07C 5/0883; G07C 5/0891; F16M
13/02; F16B 1/00; F16B 2001/0035;
G01D 5/00; G06F 1/166; G06F 1/1656;
G06F 1/1626; G06F 1/1609; G06F 1/637;

G06F 3/03547; G06F 3/04842; G06F
3/04817; G06F 21/00; G06F 17/00;
G01M 17/00; G01M 17/007; G01M
15/05; F17D 1/08; F02P 17/08; G01R
31/007; G01R 31/3648; G01R 31/3693;
G01R 31/3627; G01R 31/31907; G01R
31/319; G01R 31/28

See application file for complete search history.

(56) **References Cited**

U.S. PATENT DOCUMENTS

D506,937 S * 7/2005 Lee D10/65
D726,047 S * 4/2015 Laurino H04W 88/005
D10/78

* cited by examiner

Primary Examiner — Antoine Duval Davis

(74) *Attorney, Agent, or Firm* — Ladas & Parry LLP

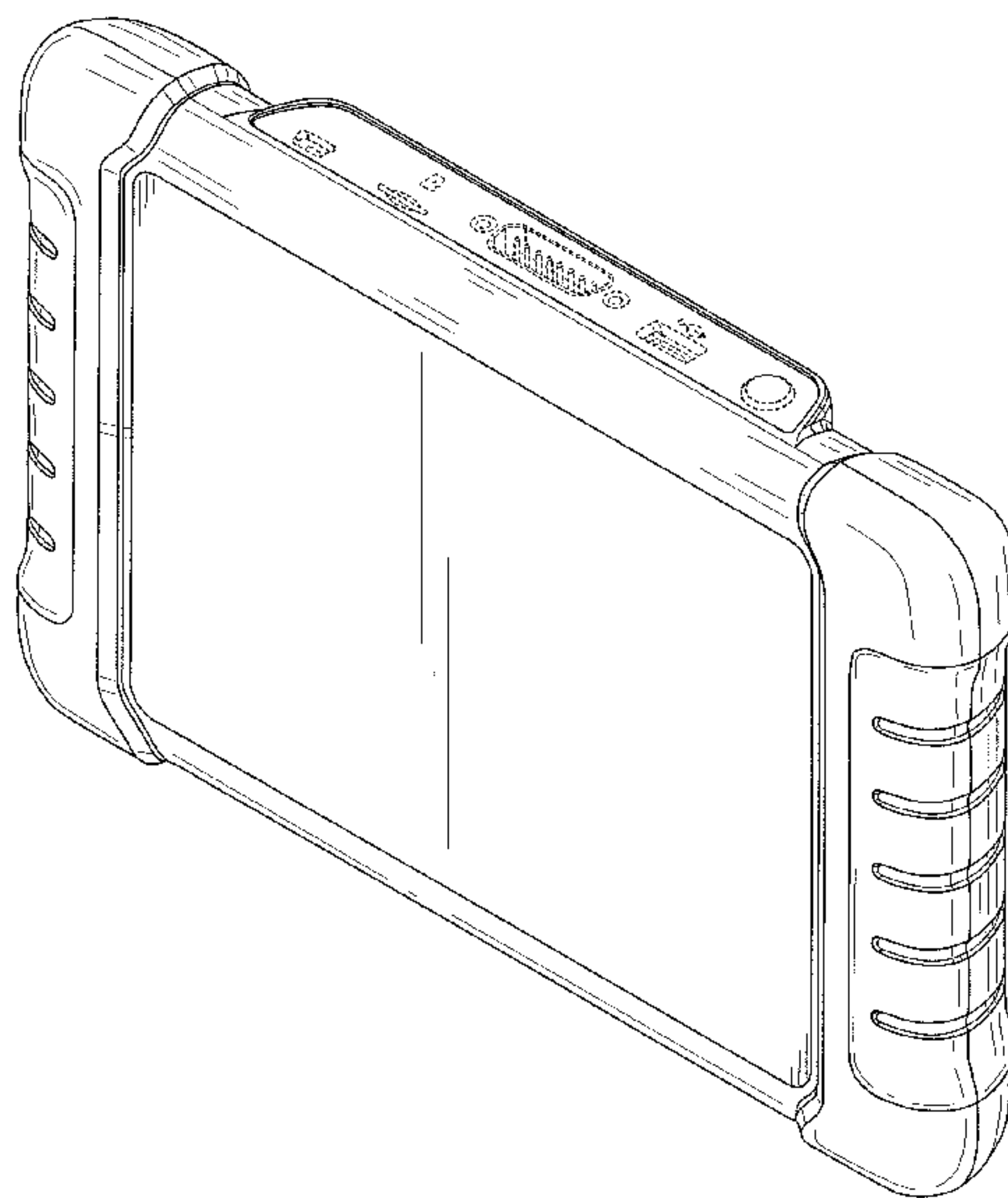
(57) **CLAIM**

The ornamental design for an automotive diagnostic and analysis device, as shown and described.

DESCRIPTION

FIG. 1 is a perspective view from the front, top, and right side of the automotive diagnostic and analysis device, embodying our new design;
FIG. 2 is a front elevational view thereof;
FIG. 3 is a rear elevational view thereof;
FIG. 4 is a right side elevational view thereof;
FIG. 5 is a left side elevational view thereof;
FIG. 6 is a top plan view thereof; and,
FIG. 7 is a bottom plan view thereof.
The broken line portions in FIGS. 1, 3, 6 and 7 are by way of illustration only and form no part of the claimed design.

1 Claim, 7 Drawing Sheets



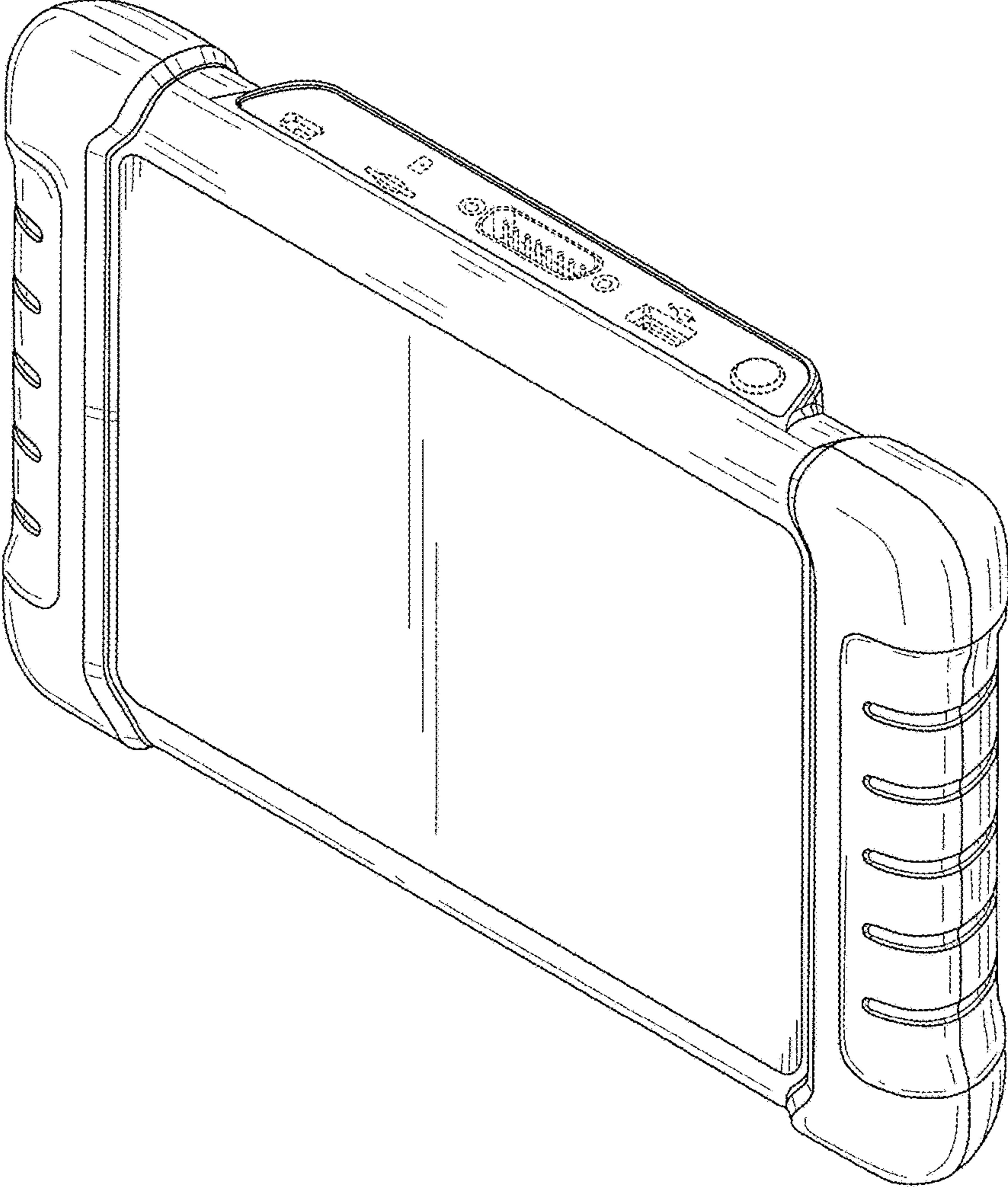


FIG. 1

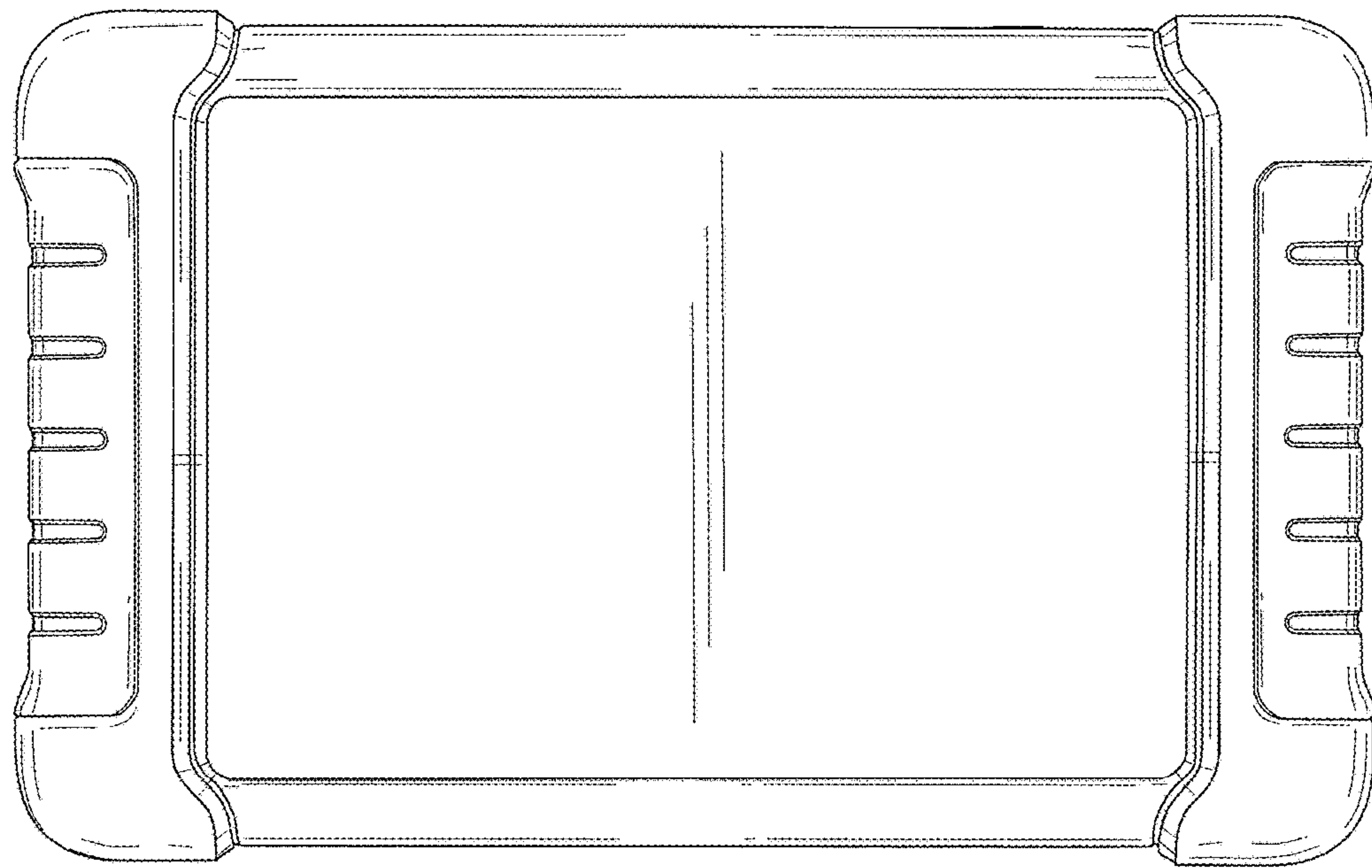


FIG. 2

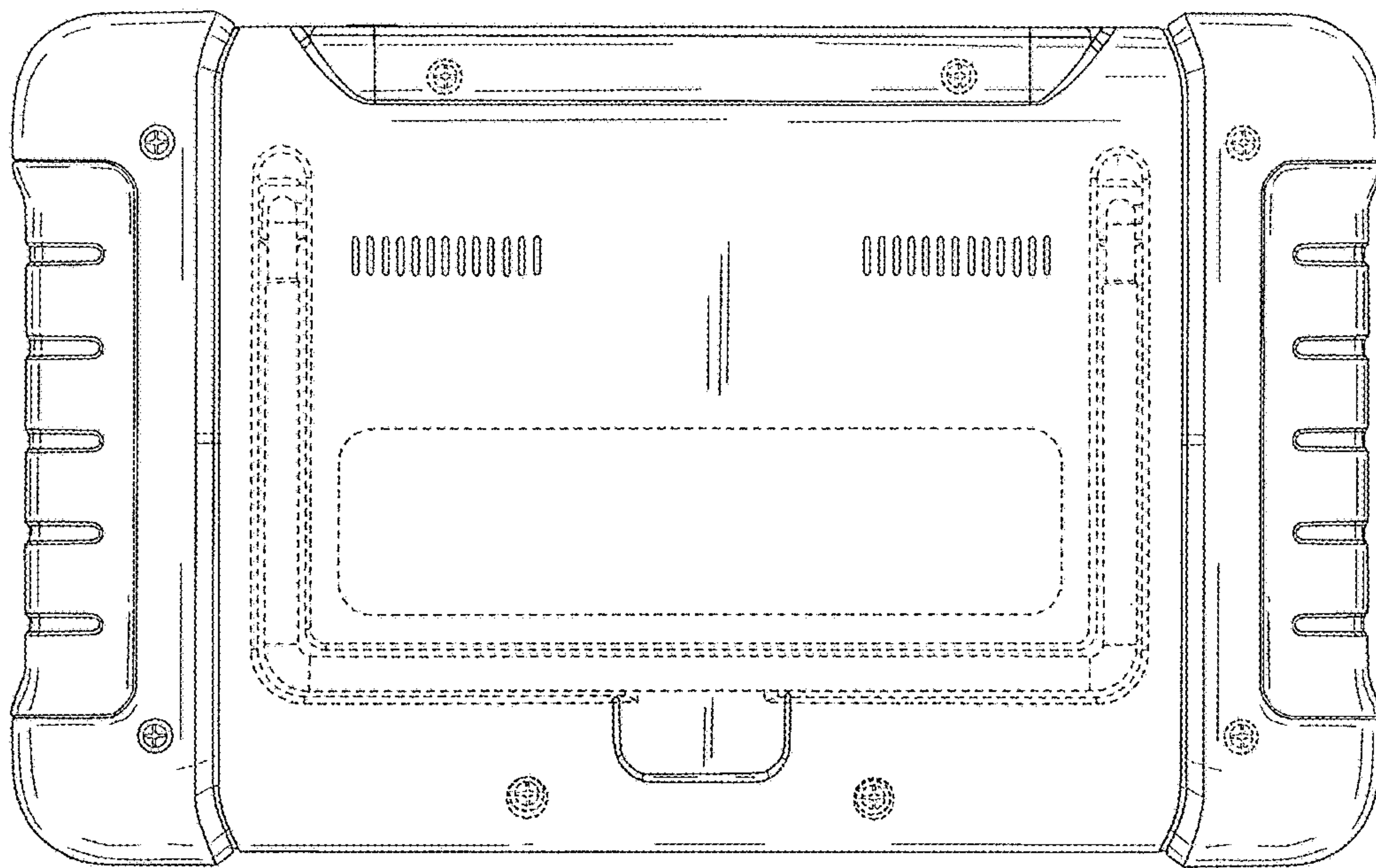


FIG. 3

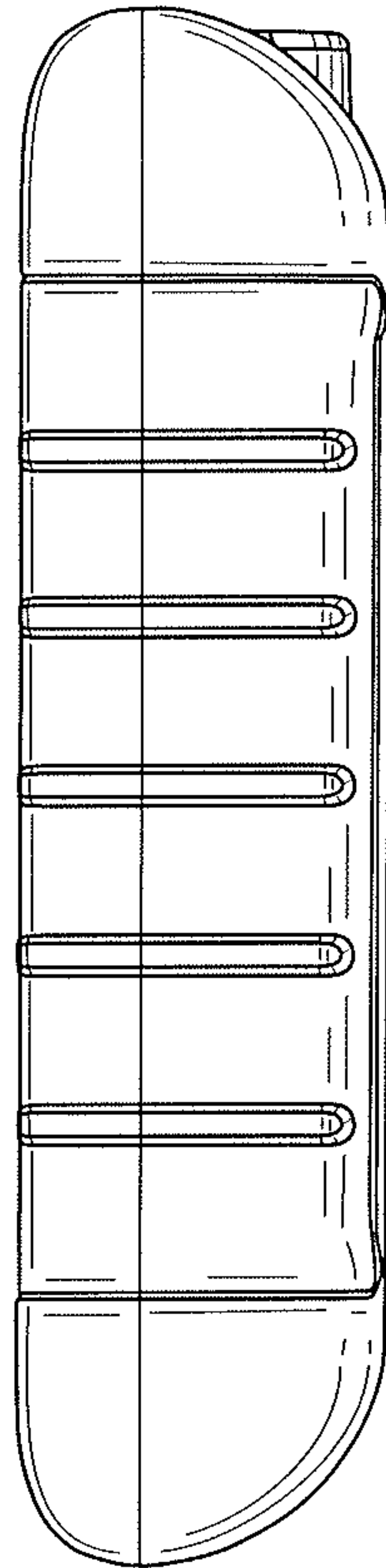


FIG. 4

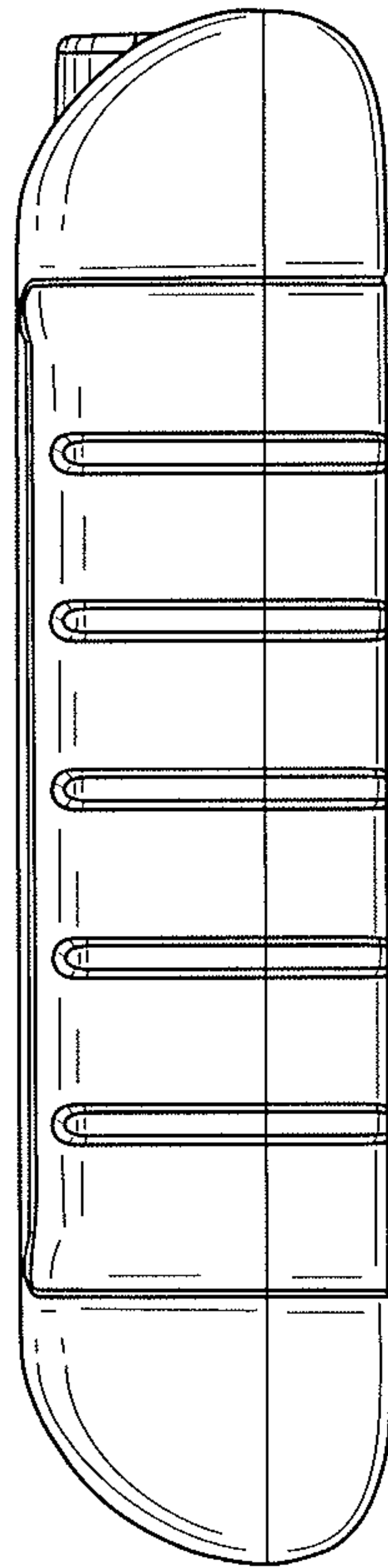


FIG. 5

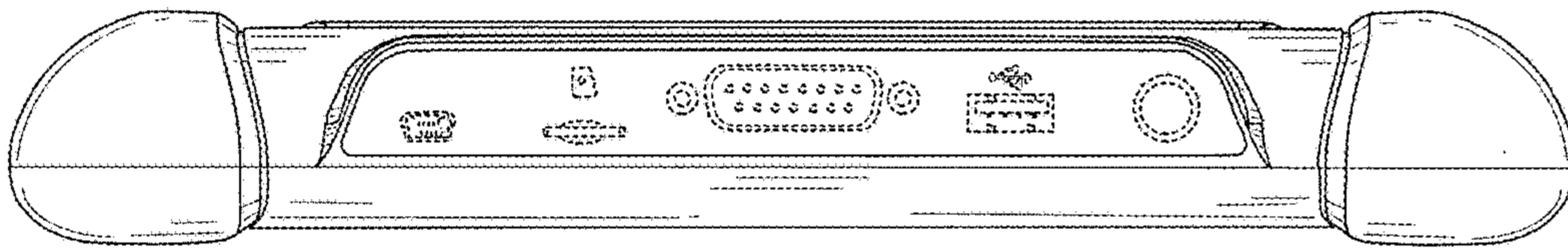


FIG. 6

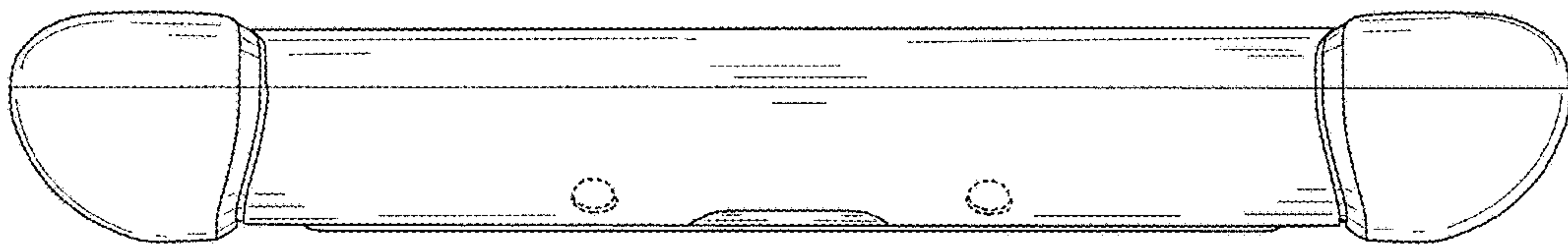


FIG. 7