



US00D837071S

(12) **United States Design Patent**  
**Yu**

(10) **Patent No.:** **US D837,071 S**  
(45) **Date of Patent:** **\*\* Jan. 1, 2019**

(54) **SOIL TESTER**

(71) Applicant: **Lin Yu, Jiangxi (CN)**

(72) Inventor: **Lin Yu, Jiangxi (CN)**

(\*\*) Term: **15 Years**

(21) Appl. No.: **29/609,675**

(22) Filed: **Jul. 4, 2017**

(51) **LOC (11) Cl.** ..... **10-04**

(52) **U.S. Cl.**  
USPC ..... **D10/52; D10/53; D10/56**

(58) **Field of Classification Search**  
USPC ..... D10/52, 53, 56, 60  
CPC ..... G01N 33/24; G01N 33/246; G01N  
2033/243; G01N 2033/245; G01N  
2033/248; G01N 15/08; G01N 15/0806;  
G01N 2203/0623; G01N 2203/0617;  
G01N 2203/06; G01N 2203/0605; G01N  
2203/0641; G01N 2203/0647; G01N  
2203/0658; G01N 33/241  
See application file for complete search history.

(56) **References Cited**

**U.S. PATENT DOCUMENTS**

D498,428 S \* 11/2004 Chan ..... D10/53  
7,271,887 B2 \* 9/2007 Bickel ..... G01J 1/42  
356/218

D579,353 S \* 10/2008 Robinson ..... D10/53  
D609,588 S \* 2/2010 Morton ..... D10/56  
D611,846 S \* 3/2010 Sadler ..... D10/53  
D756,249 S \* 5/2016 Xiao ..... D10/52

\* cited by examiner

*Primary Examiner* — Antoine Duval Davis

(57) **CLAIM**

The ornamental design for a soil tester, as shown.

**DESCRIPTION**

FIG. 1 is a front elevational view of a soil tester showing my new design;

FIG. 2 is a rear elevational view thereof;

FIG. 3 is a left side view thereof;

FIG. 4 is a right side view thereof;

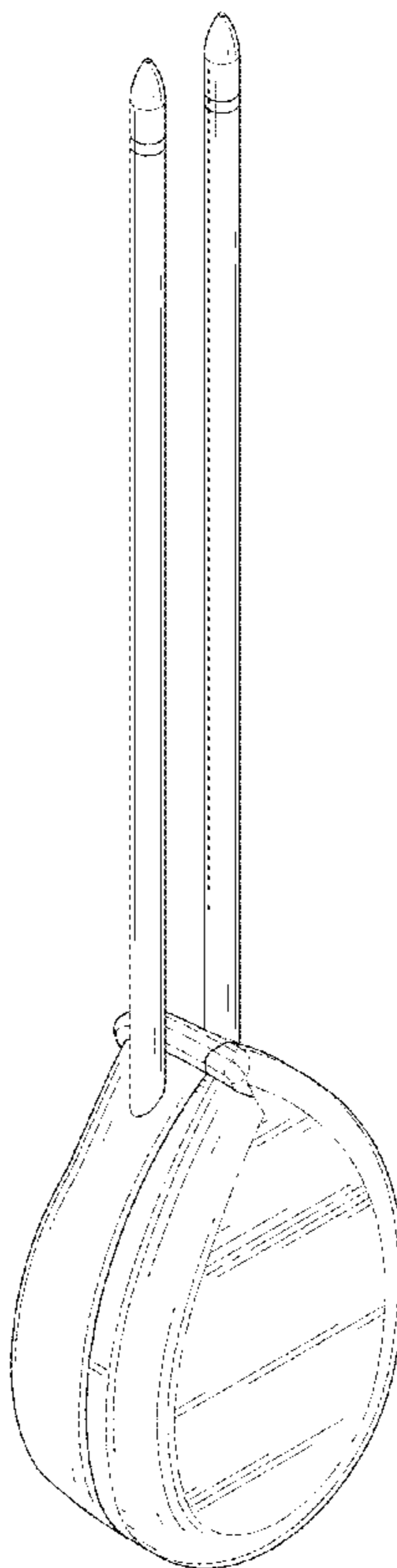
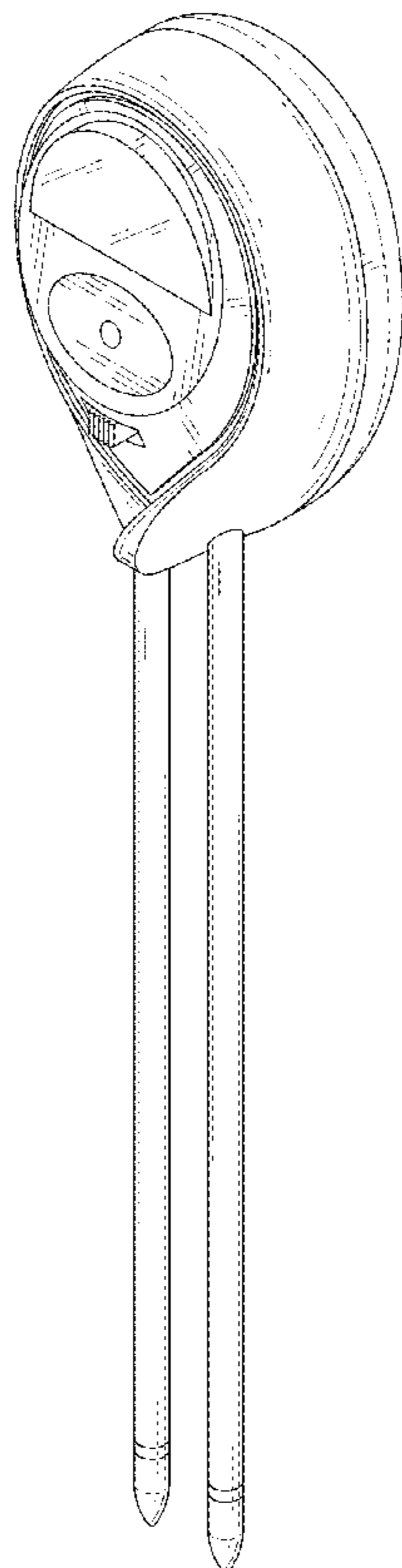
FIG. 5 is a top plan view thereof;

FIG. 6 is a bottom plan view thereof;

FIG. 7 is a perspective view thereof; and,

FIG. 8 is another perspective view thereof.

**1 Claim, 5 Drawing Sheets**



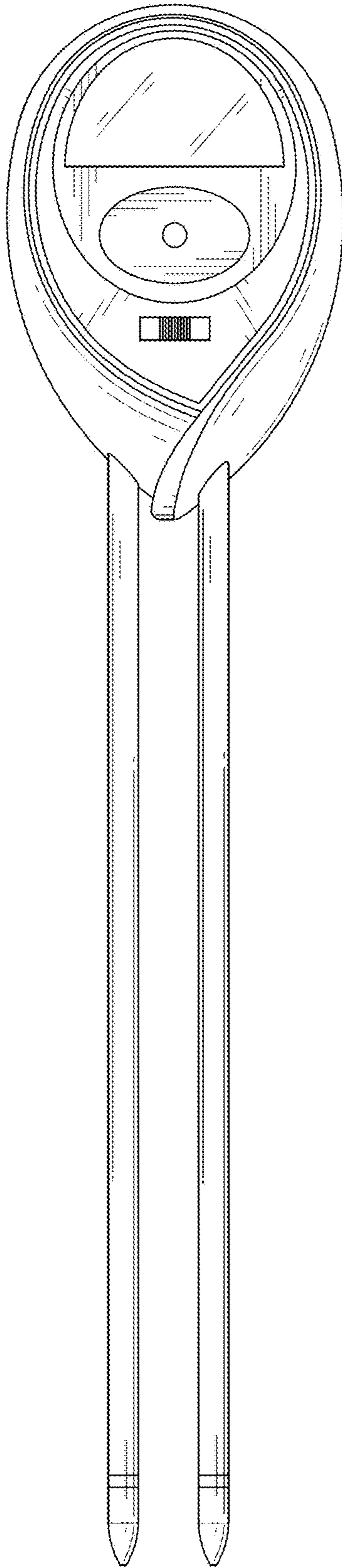


FIG. 1

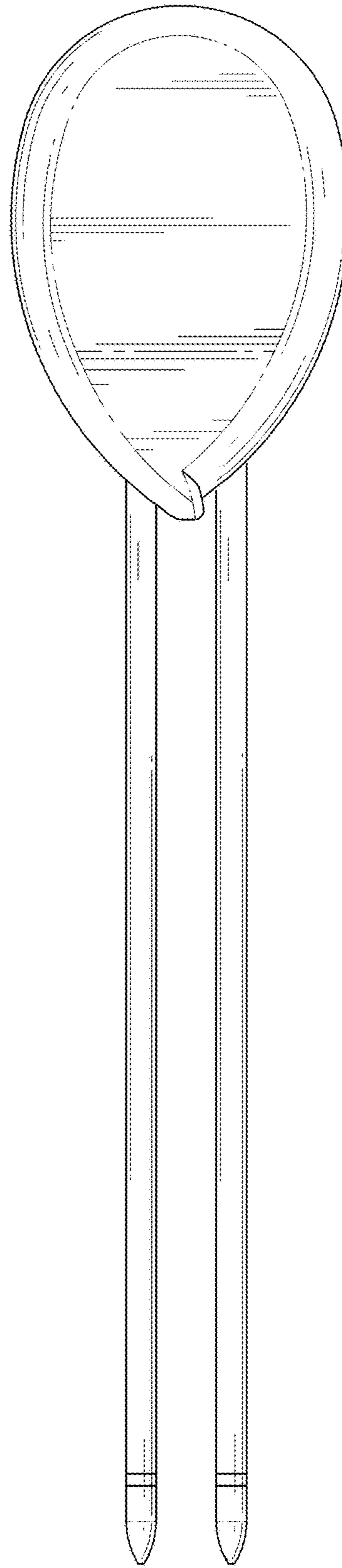


FIG. 2

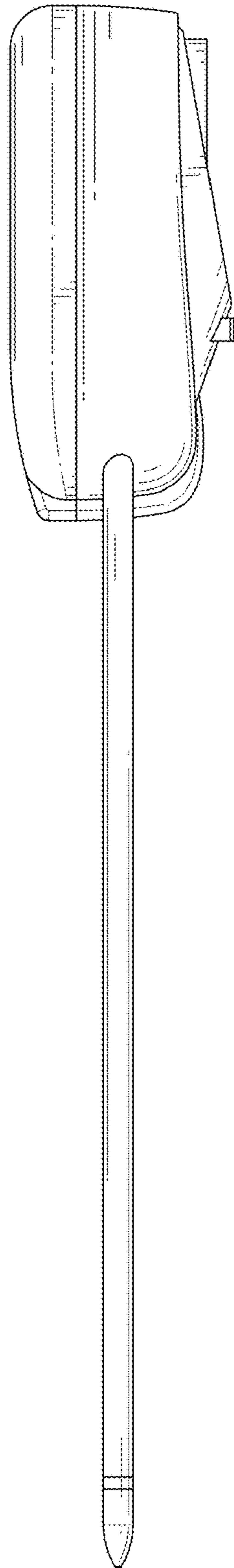


FIG. 3

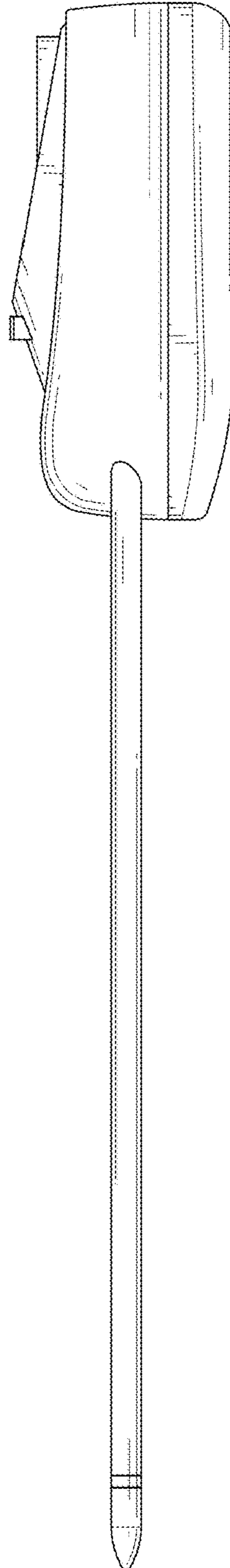


FIG. 4

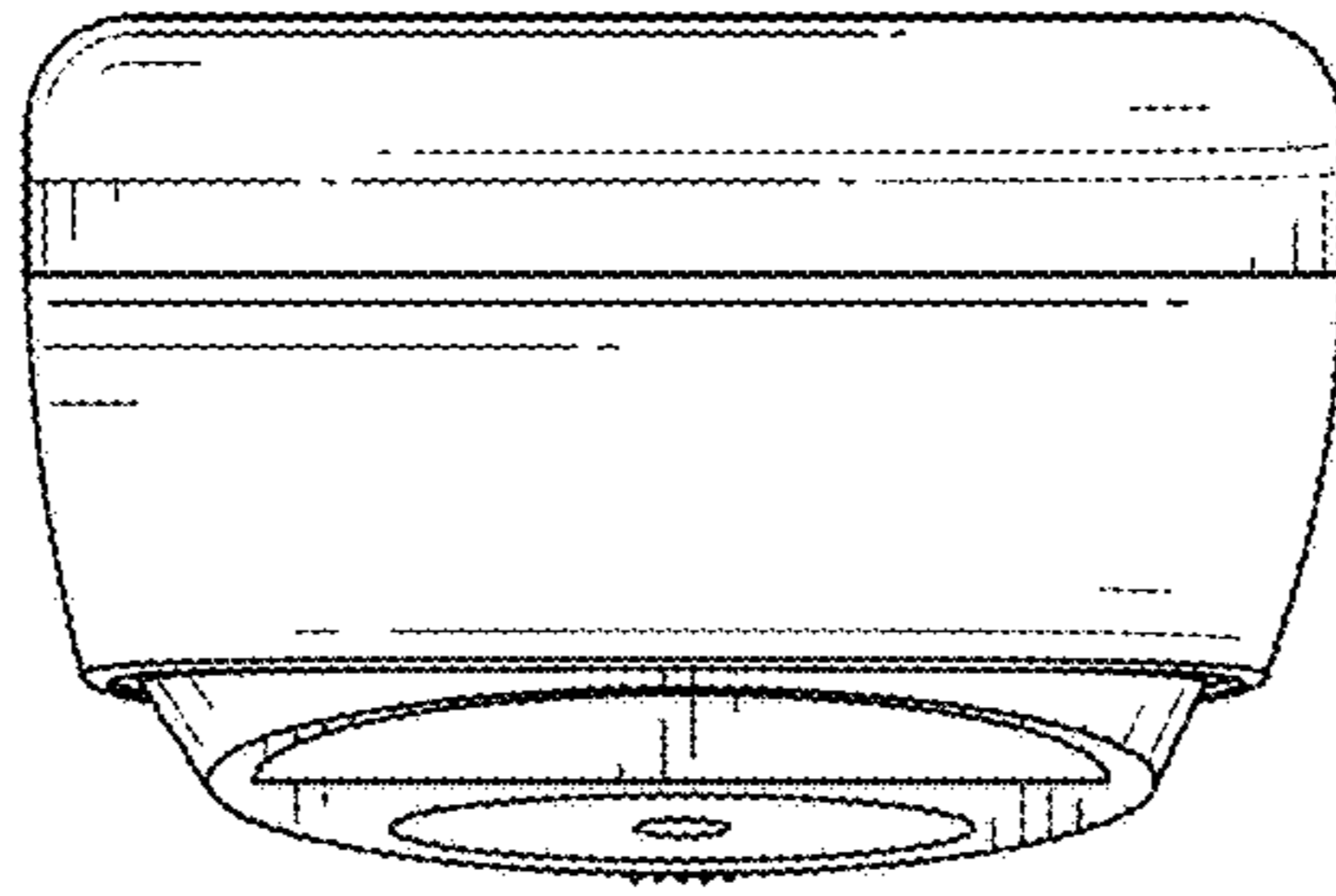


FIG. 5

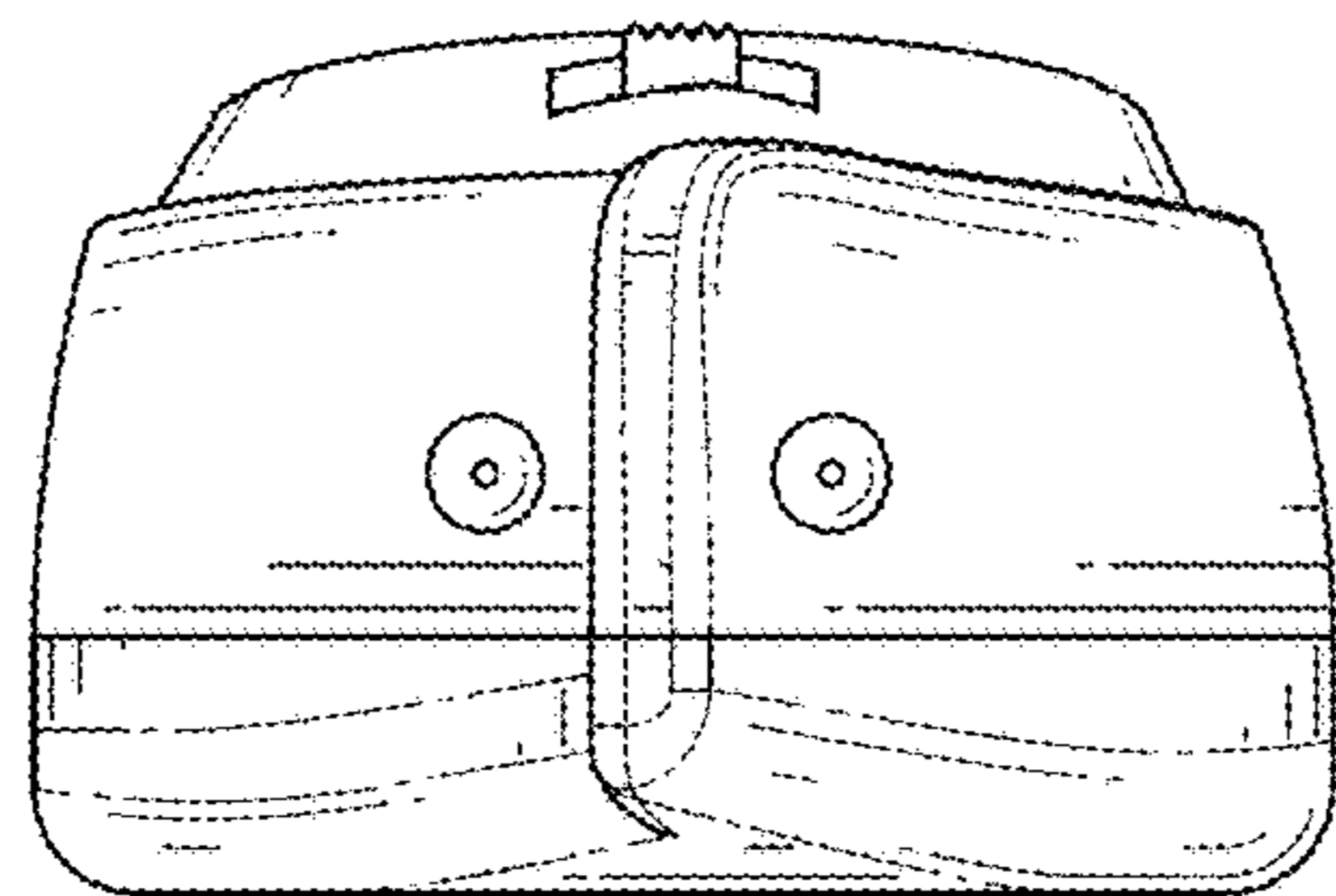


FIG. 6

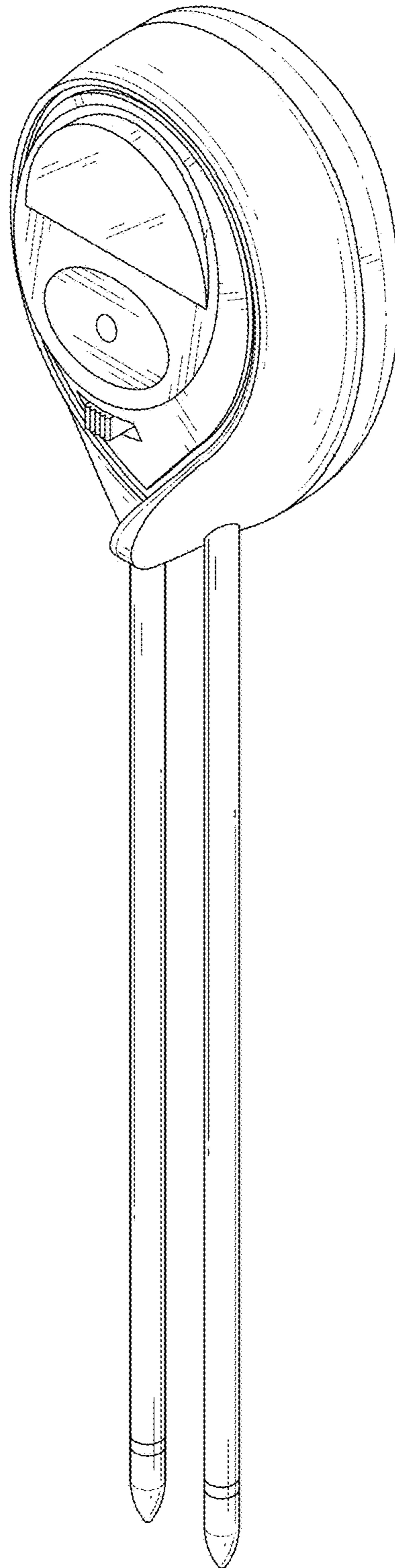


FIG. 7

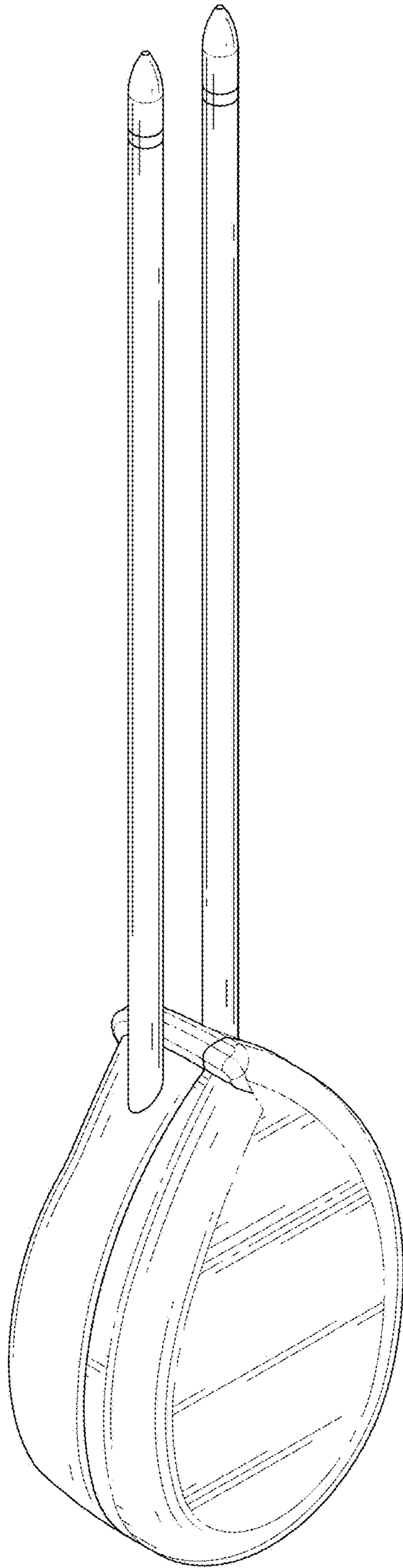


FIG. 8