



US00D837070S

(12) **United States Design Patent** (10) **Patent No.:** **US D837,070 S**  
**Fukui et al.** (45) **Date of Patent:** **\*\* Jan. 1, 2019**

(54) **PILL ORGANIZER PACKAGE** D562,153 S \* 2/2008 Ruble ..... D9/732  
D637,091 S \* 5/2011 Nottingham ..... D9/418  
(71) Applicant: **NIPPON FRONTIER MEDICINE** D650,295 S \* 12/2011 Schmitz ..... D9/732  
**LABORATORIES, INC., Osaka (JP)** D655,622 S \* 3/2012 Sadler ..... D9/732

(Continued)

(72) Inventors: **Junichi Fukui, Osaka (JP); Kunihiro Musashi, Osaka (JP); Yoshinori Tanaka, Osaka (JP)**

*Primary Examiner* — Rhea Shields  
(74) *Attorney, Agent, or Firm* — Ladas & Parry LLP

(73) Assignee: **NIPPON FRONTIER MEDICINE LABORATORIES, INC., Osaka (JP)**

(57) **CLAIM**

(\*\*) Term: **15 Years**

The ornamental design for a pill organizer package, as shown and described.

(21) Appl. No.: **35/502,766**

(22) Filed: **Nov. 1, 2016**

**DESCRIPTION**

(80) **Hague Agreement Data**

Int. Filing Date: **Nov. 1, 2016**  
Int. Reg. No.: **DM/095394**  
Int. Reg. Date: **Nov. 1, 2016**  
Int. Reg. Pub. Date: **Apr. 7, 2017**

- 1.-3. Pill Organizer Package
- 1.1 : Perspective
- 1.2 : Front
- 1.3 : Back
- 1.4 : Top
- 1.5 : Bottom
- 1.6 : Right
- 1.7 : Left
- 1.8 : Cross-sectional end view
- 1.9 : Perspective view with open lid
- 1.10 : Top view with open lid
- 1.11 is sectional view shown in environment,
- 2.1 : Perspective
- 2.2 : Front
- 2.3 : Back
- 2.4 : Top
- 2.5 : Bottom
- 2.6 : Right
- 2.7 : Left
- 2.8 : Cross-sectional end view
- 2.9 : Perspective view with open lid
- 2.10 : Top view with open lid
- 2.11 is a sectional view shown in environment.

(30) **Foreign Application Priority Data**

May 10, 2016 (JP) ..... 2016-009825  
May 10, 2016 (JP) ..... 2016-009826  
May 10, 2016 (JP) ..... 2016-009827

(51) **LOC (11) Cl.** ..... **09-03**

(52) **U.S. Cl.**  
USPC ..... **D9/756**

(58) **Field of Classification Search**  
USPC ..... D9/756, 732, 418, 456, 758; D15/90;  
D6/672, 682.4; D3/203.3; D23/366, 120;  
206/531  
CPC ..... A61J 1/035  
See application file for complete search history.

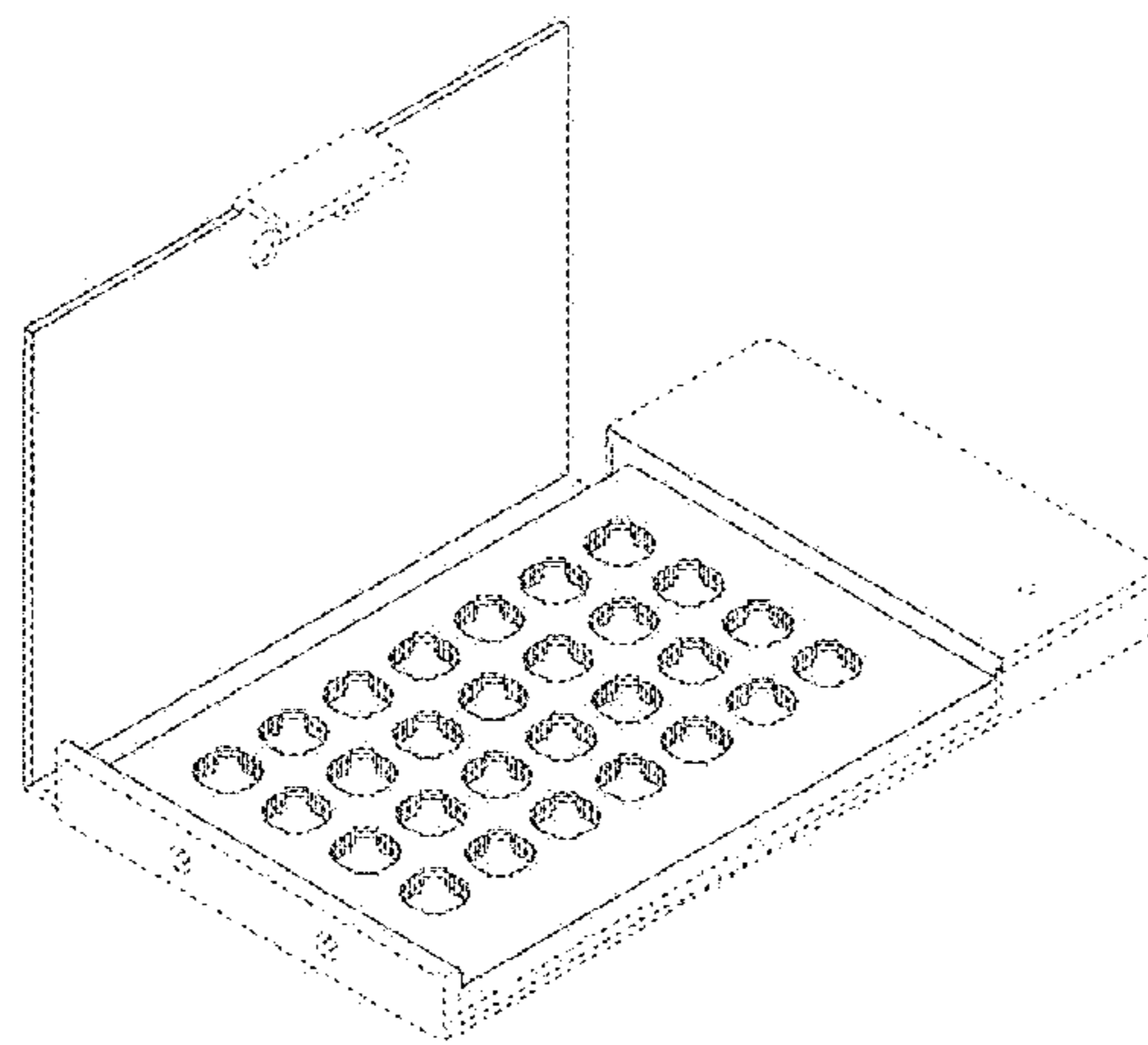
(56) **References Cited**

**U.S. PATENT DOCUMENTS**

D558,603 S \* 1/2008 Priebe ..... D9/732  
D560,695 S \* 1/2008 Marchionda ..... D15/90

No protection is sought for the matter shown in dotted lines (disclaimer); **1.8** and **2.8**: cross-sectional end views cut perpendicularly at the left side of the center of the front view.

**1 Claim, 22 Drawing Sheets**



(56)

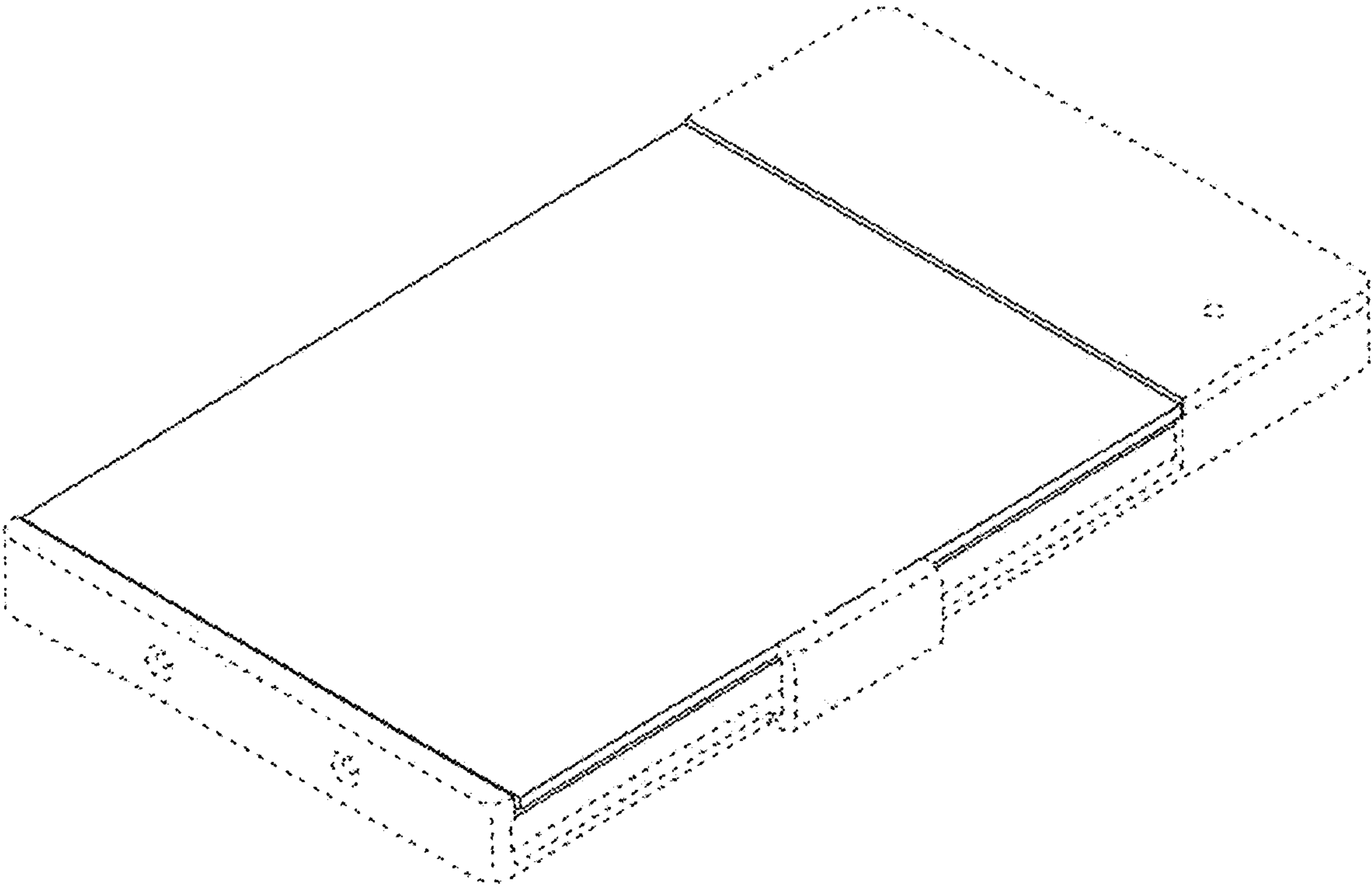
**References Cited**

U.S. PATENT DOCUMENTS

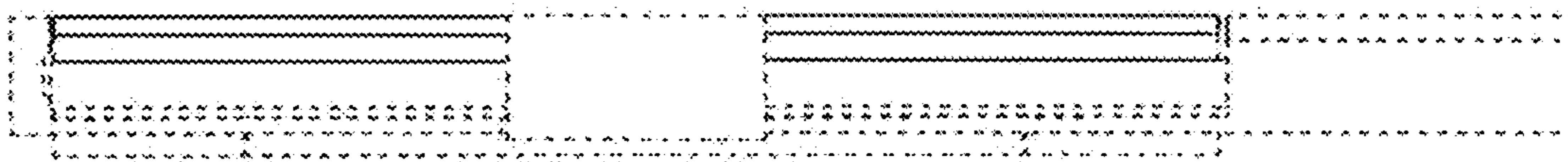
D658,989 S \* 5/2012 Nelissen ..... D9/456  
D670,933 S \* 11/2012 Tapper ..... D6/672  
8,443,977 B2 \* 5/2013 Killinger ..... A61J 1/035  
206/531  
D695,134 S \* 12/2013 Priebe ..... D9/732  
D695,633 S \* 12/2013 Priebe ..... D9/732  
D709,305 S \* 7/2014 Tapper ..... D6/672  
D709,718 S \* 7/2014 Snyder ..... D6/682.4  
D734,075 S \* 7/2015 Tapper ..... D6/672  
D736,989 S \* 8/2015 Chen ..... D26/120  
D740,593 S \* 10/2015 Tapper ..... D6/672  
D740,691 S \* 10/2015 Milante ..... D9/732  
D756,803 S \* 5/2016 Stacy-Ryan ..... D9/732  
D761,126 S \* 7/2016 Taylor ..... D9/732  
D766,416 S \* 9/2016 Seshadri ..... D23/366  
D769,653 S \* 10/2016 Peltosaari ..... D6/682.1  
D770,303 S \* 11/2016 Gelbaum ..... D9/732  
D779,340 S \* 2/2017 Liu ..... D9/758  
D787,811 S \* 5/2017 Aggarwal ..... D3/203.3  
D805,403 S \* 12/2017 Matos Rodriguez ..... D9/758

\* cited by examiner

1.1



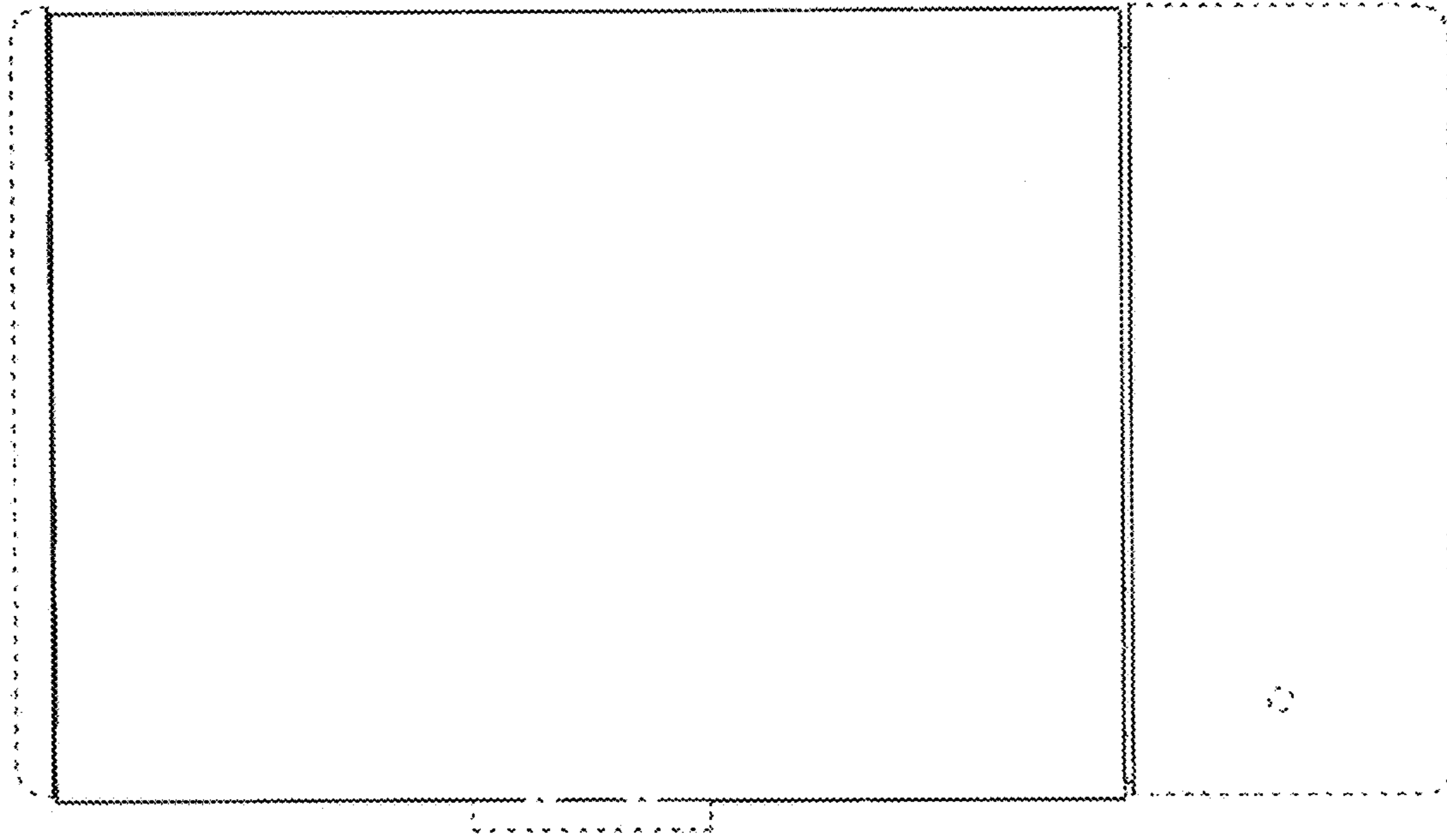
1.2



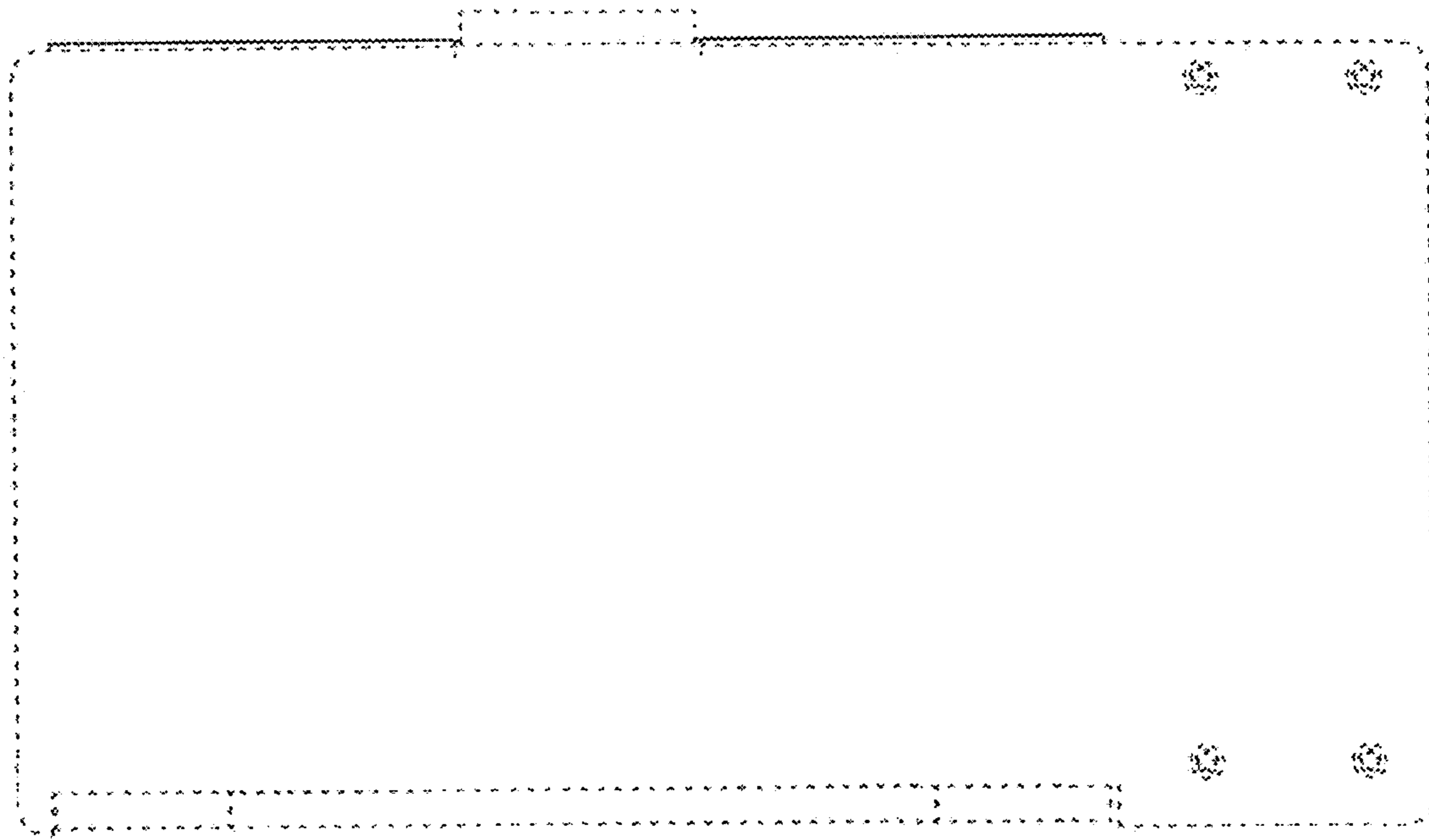
1.3



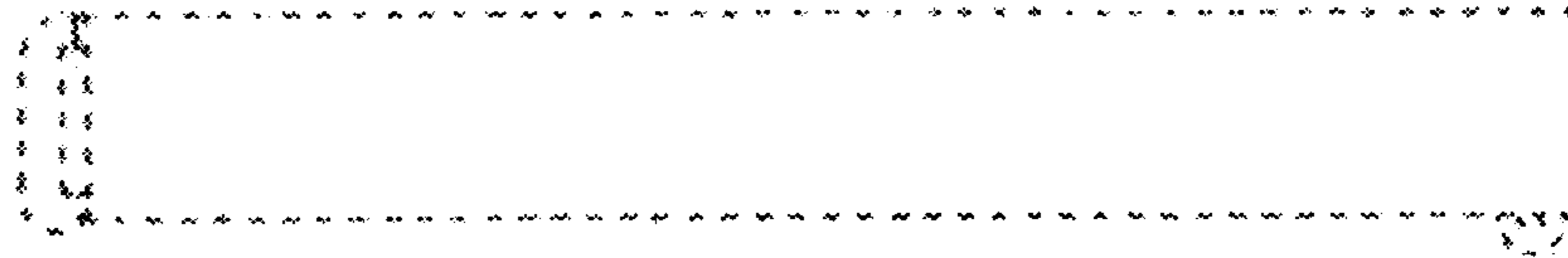
1.4



1.5



**1.6**

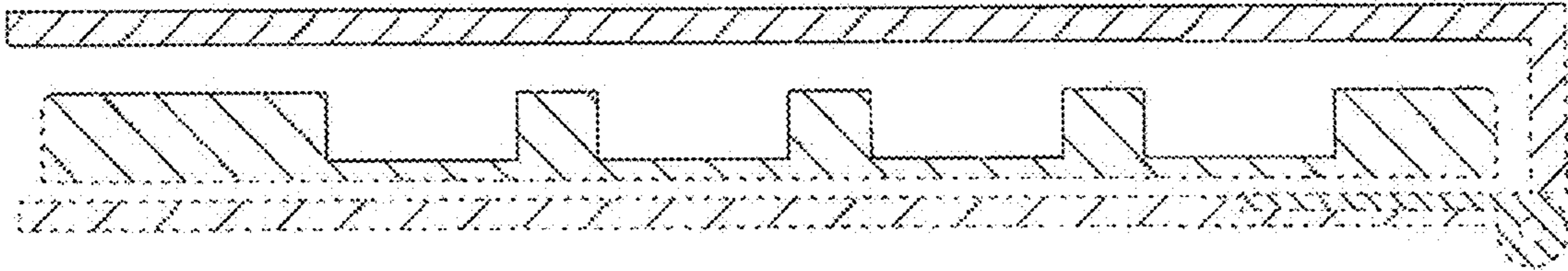




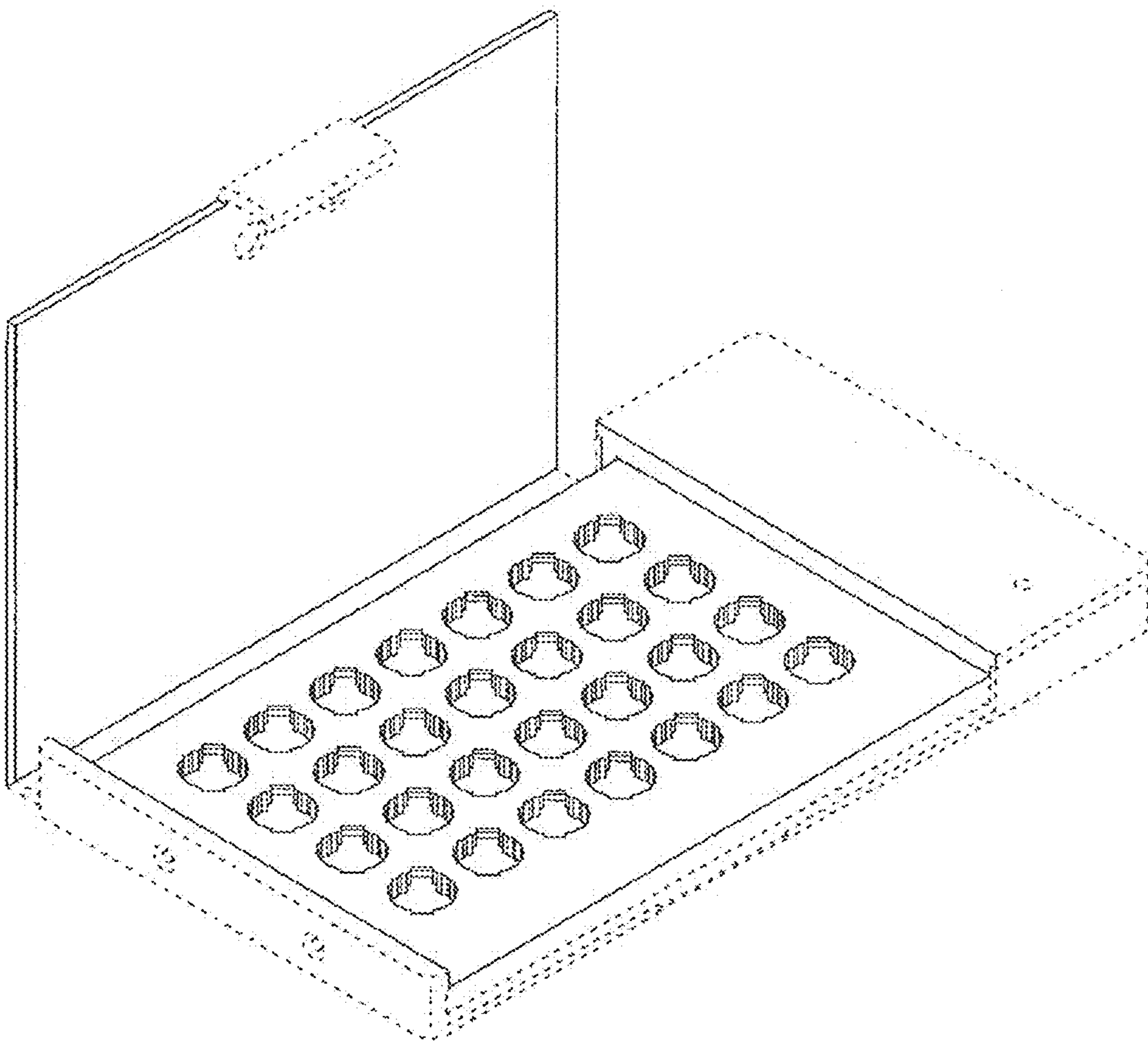
1.7



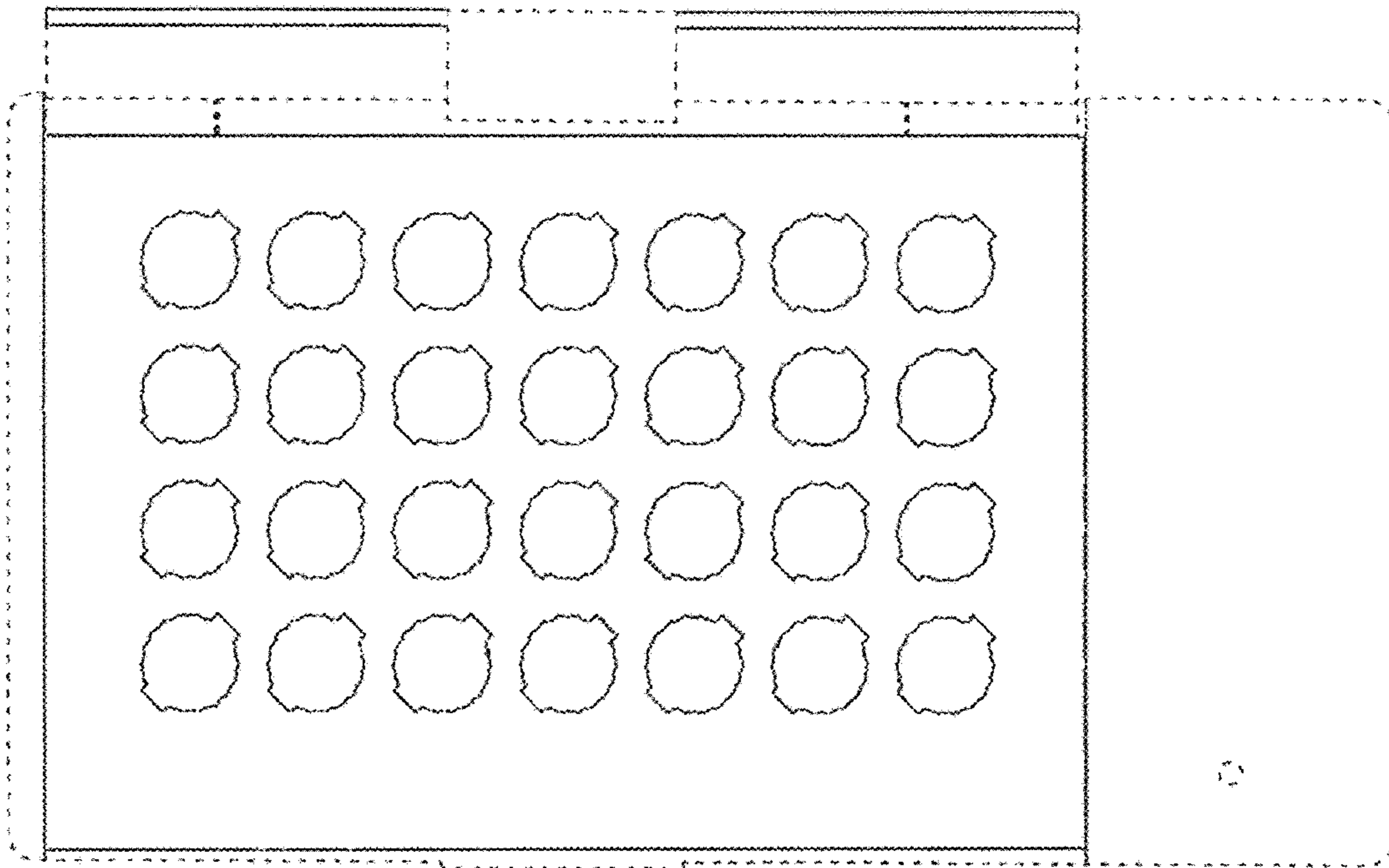
1.8



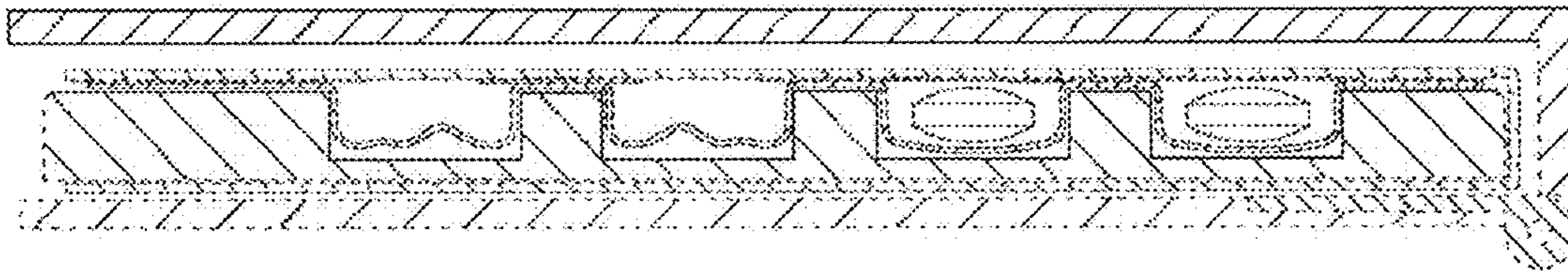
1.9



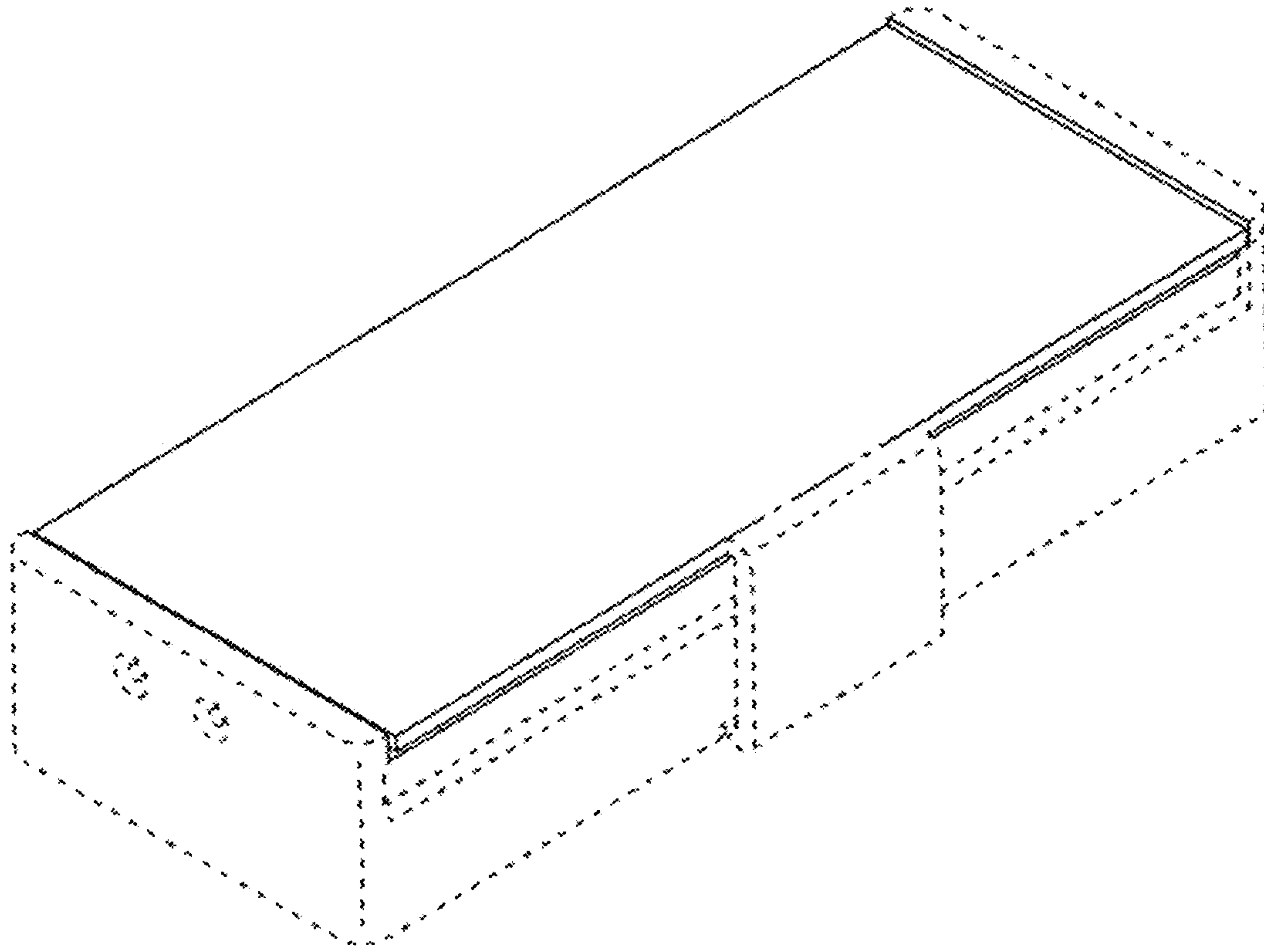
1.10



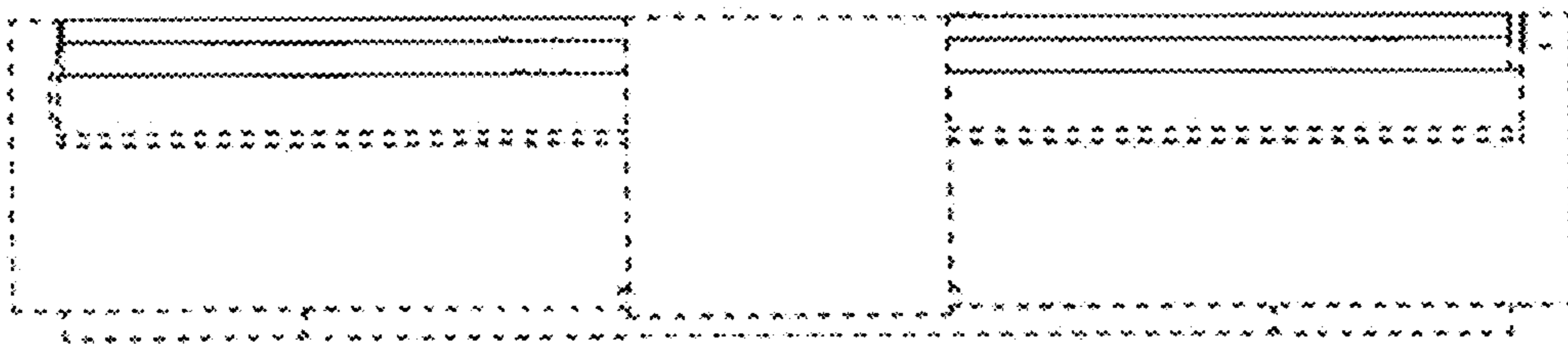
1.11



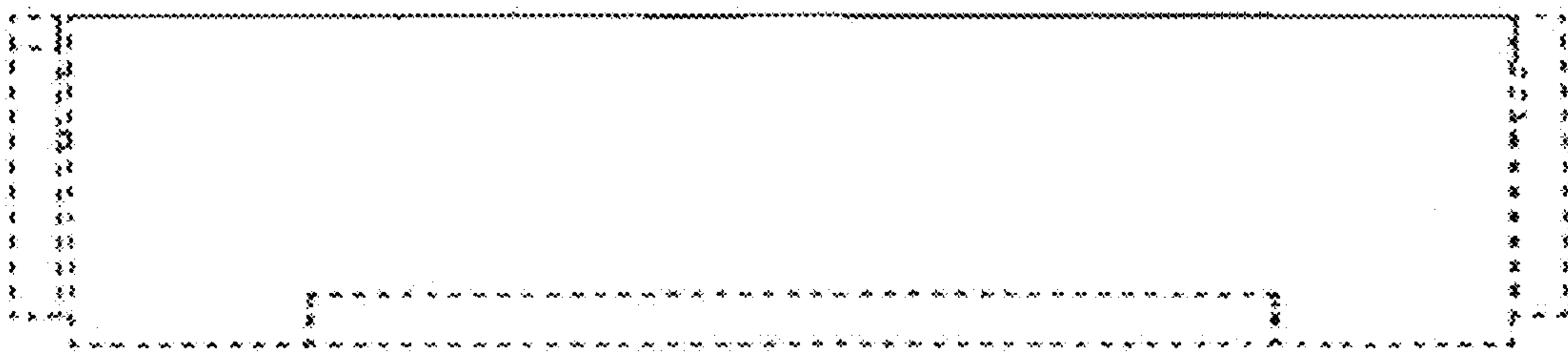
2.1



2.2

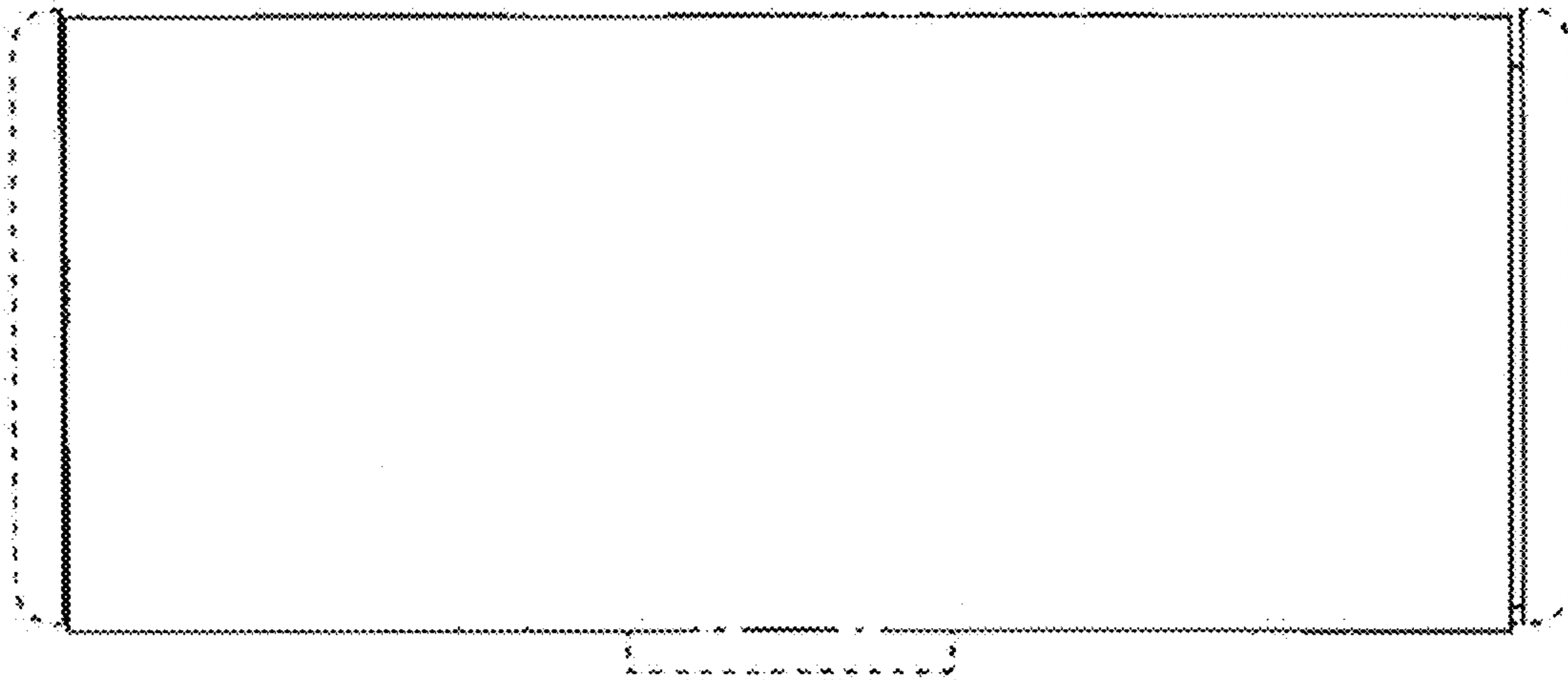


2.3

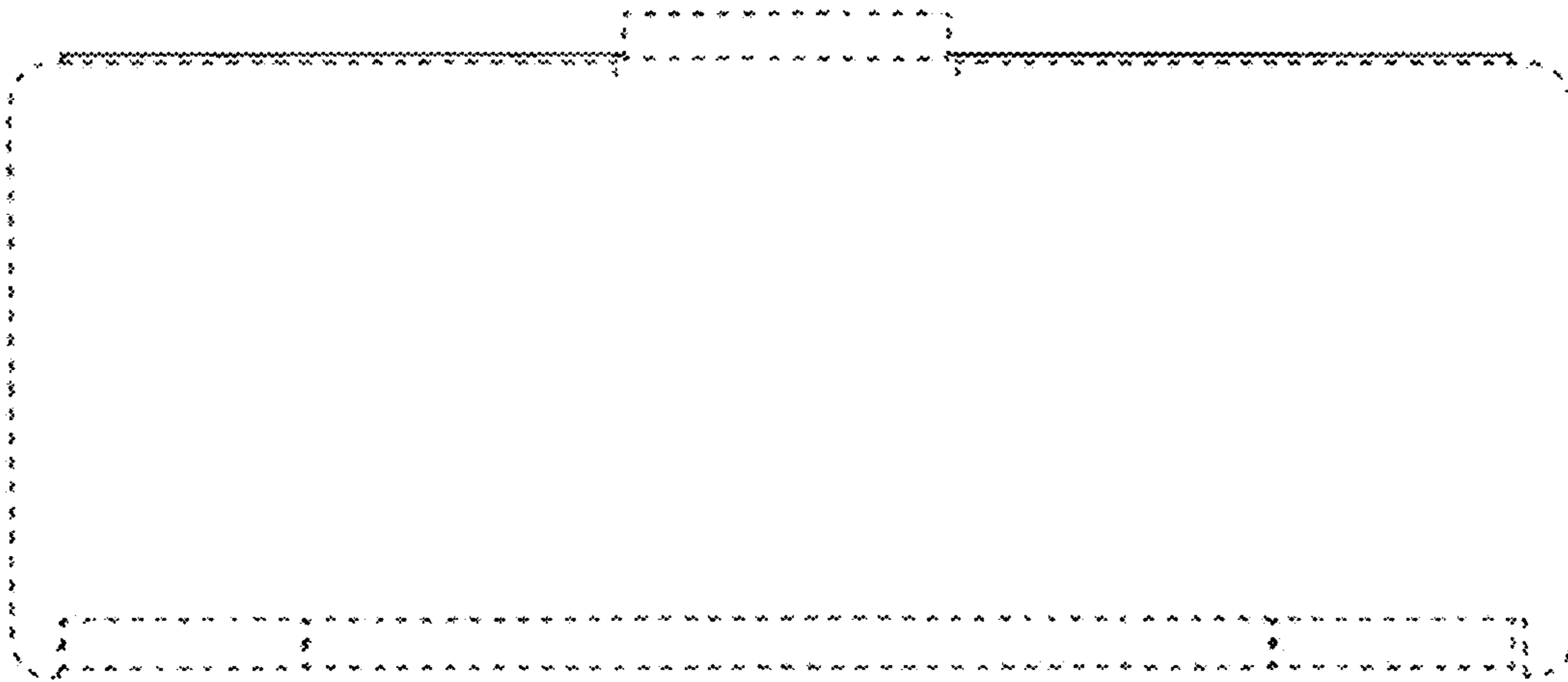




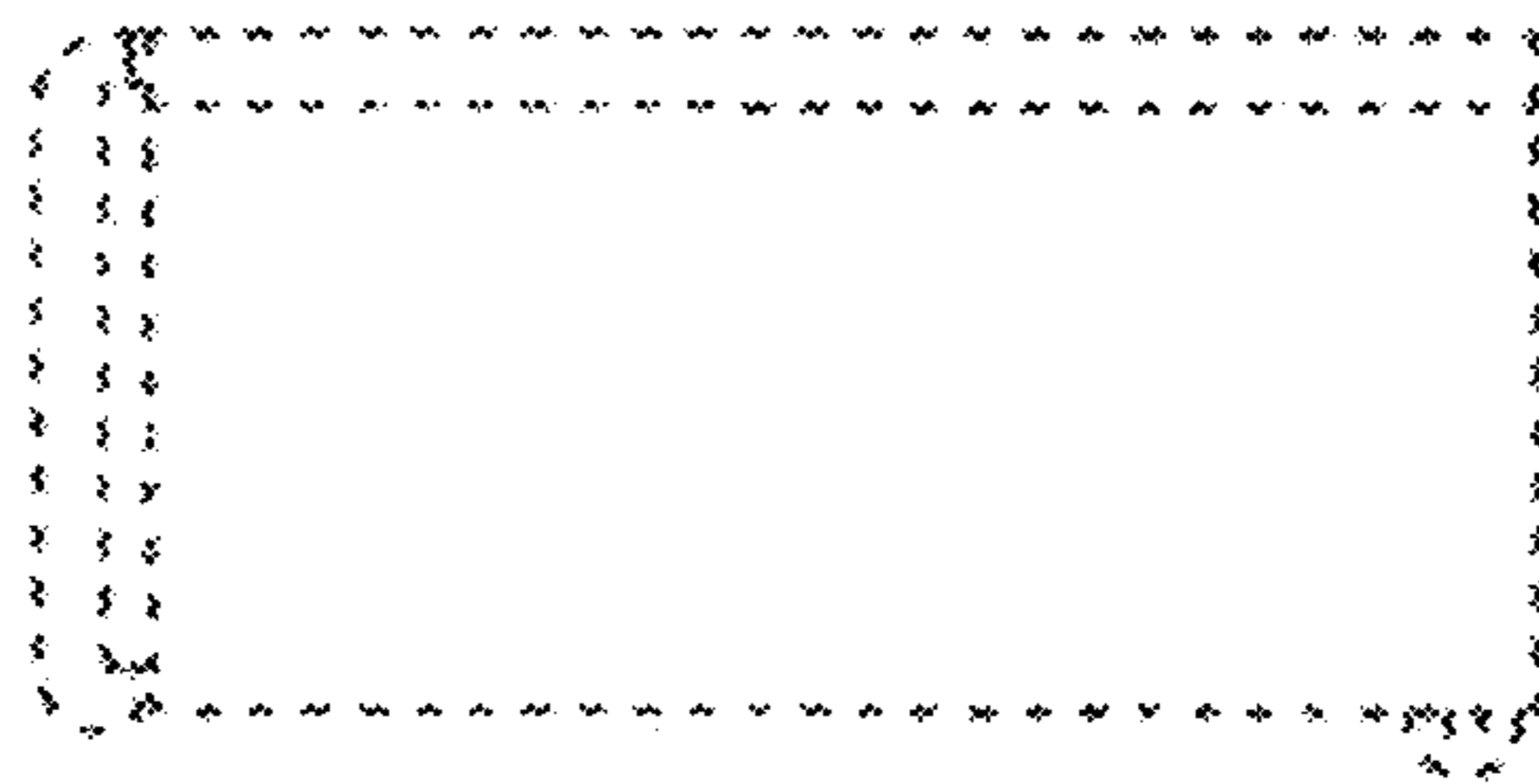
2.4



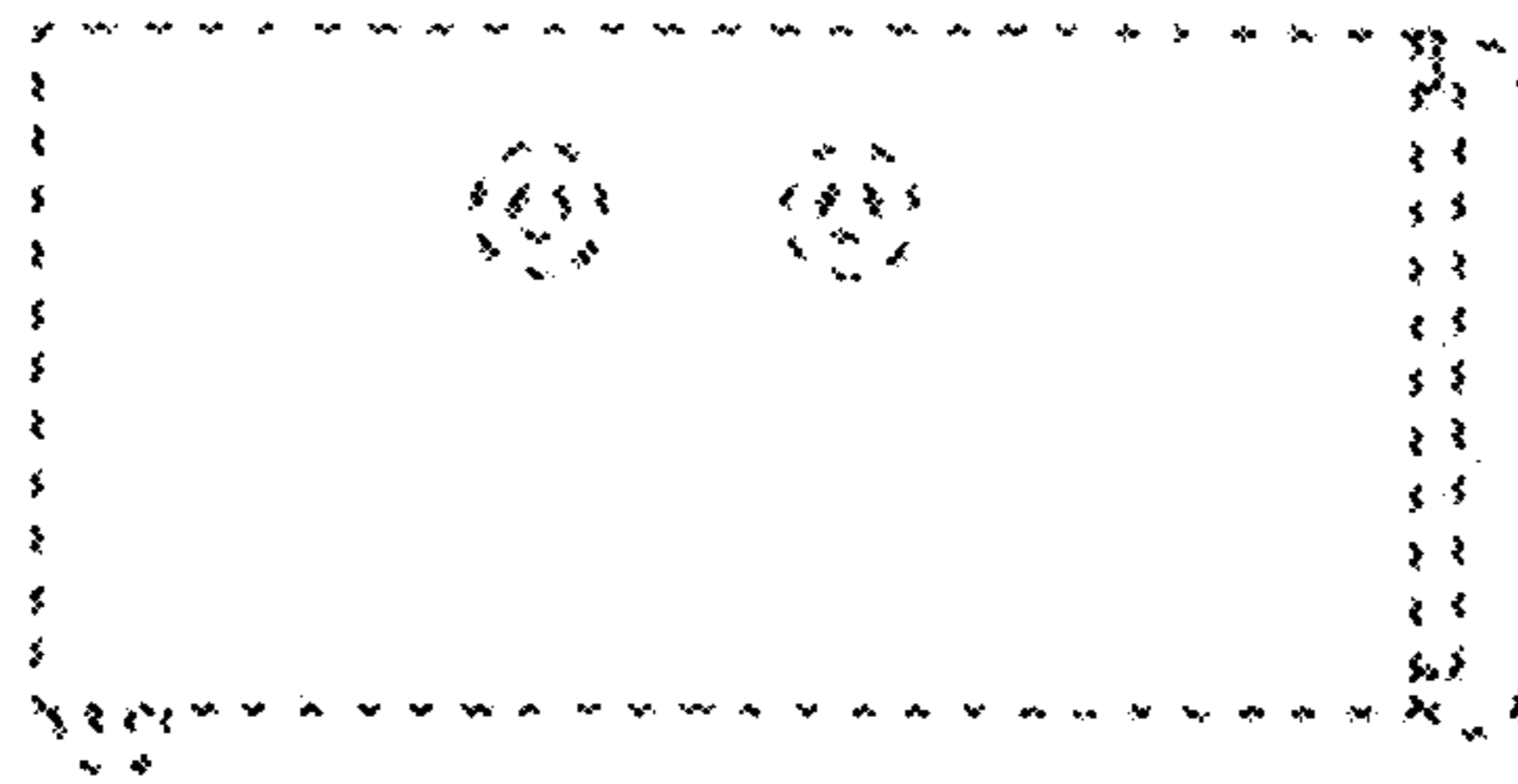
2.5



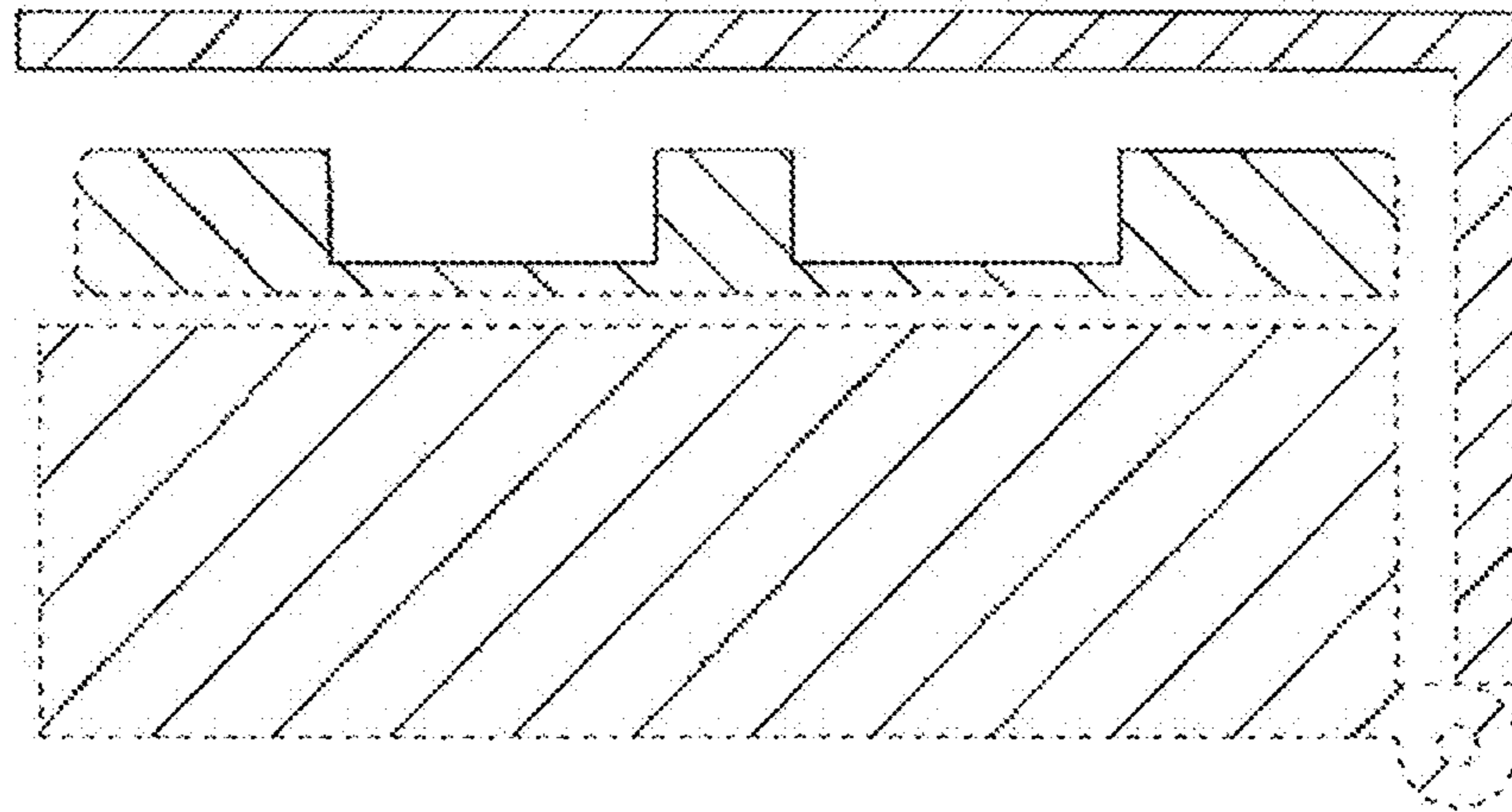
2.6



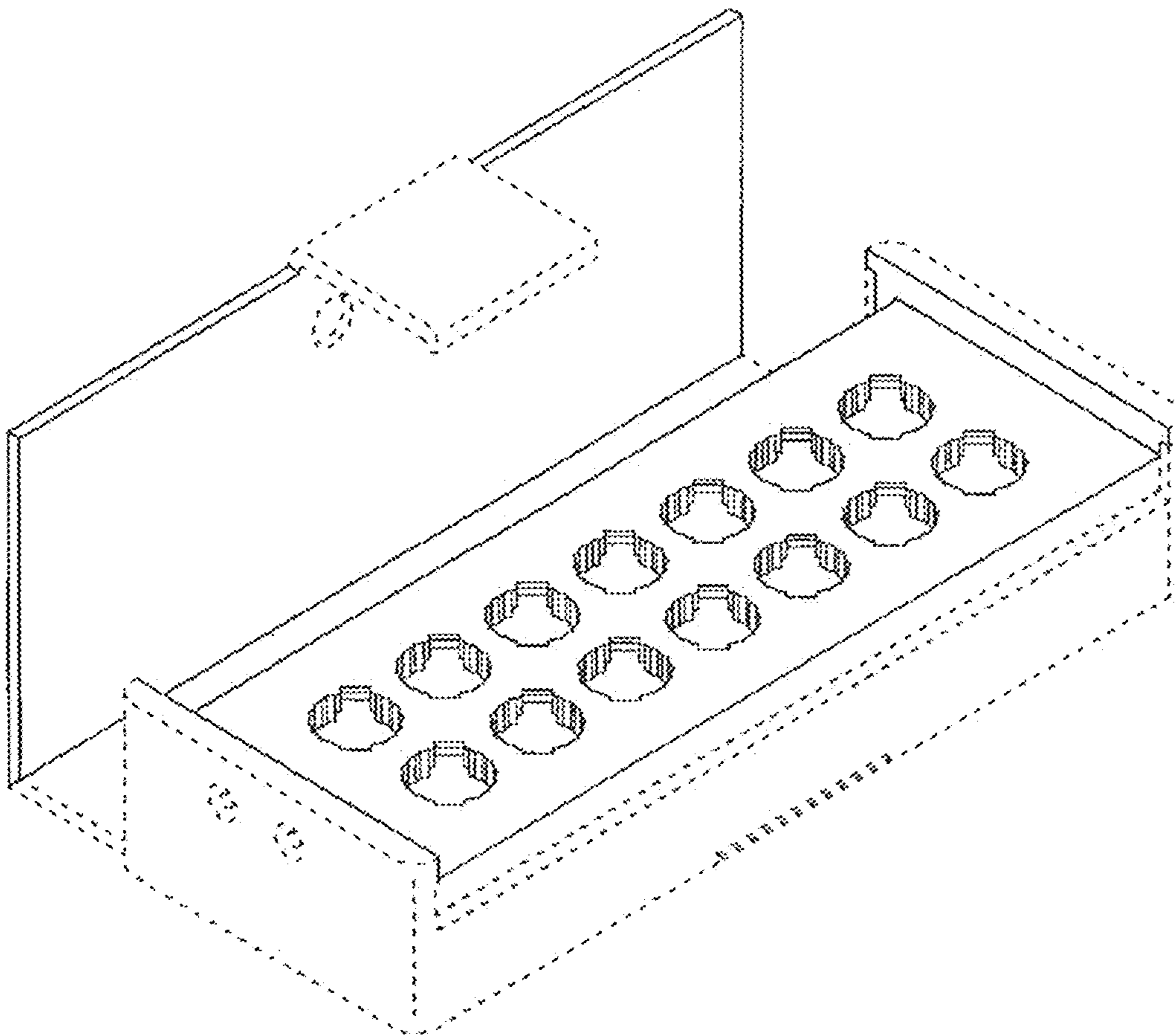
2.7



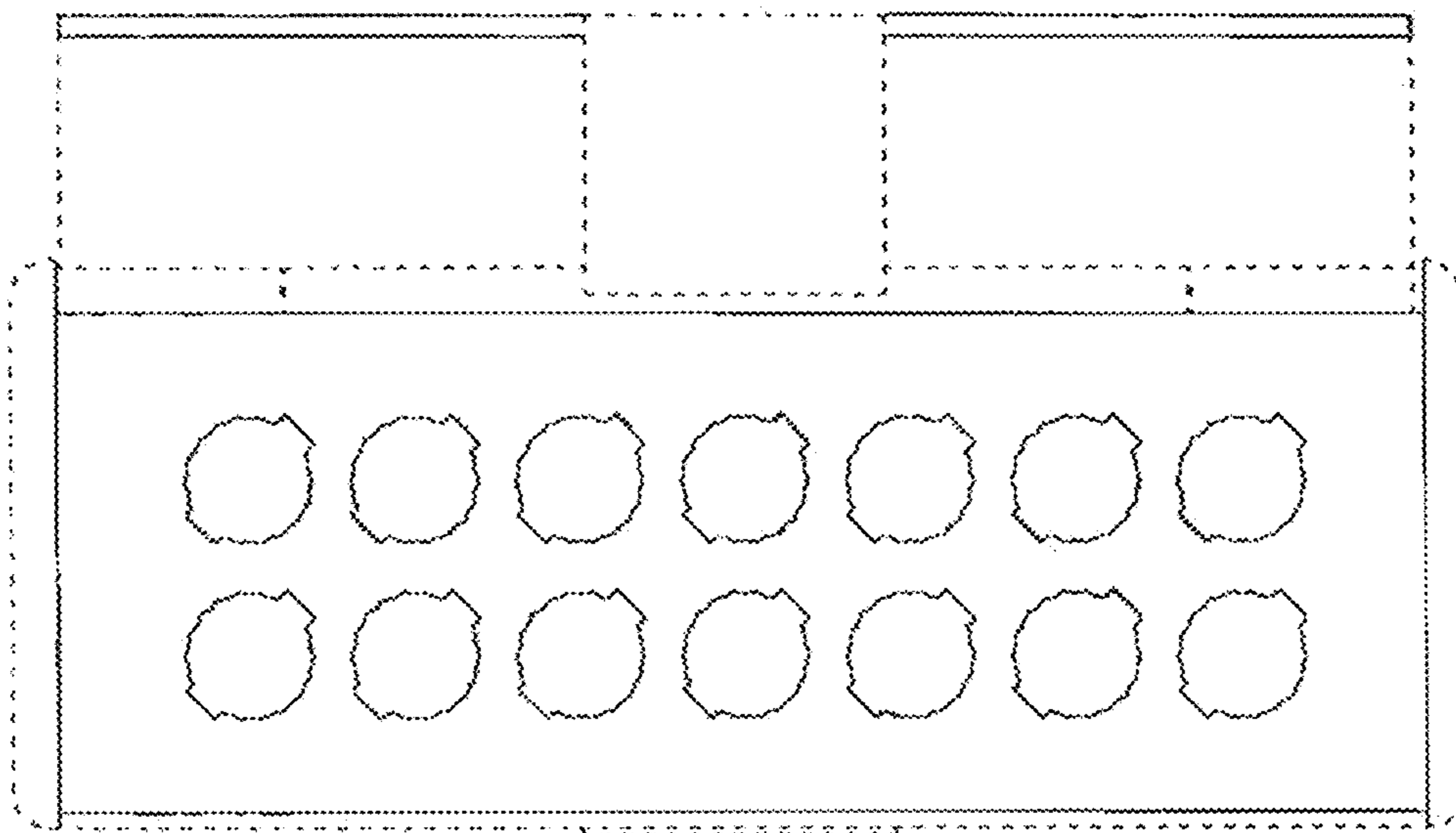
2.8



2.9



2.10



2.11

