



US00D837067S

(12) **United States Design Patent**
Sawada et al.

(10) **Patent No.:** **US D837,067 S**
(45) **Date of Patent:** **** Jan. 1, 2019**

(54) **PACKAGING CONTAINER**

DESCRIPTION

(71) Applicant: **NIPRO CORPORATION**, Osaka-shi,
Osaka (JP)
(72) Inventors: **Hidenori Sawada**, Osaka (JP); **Hiroshi
Fuketa**, Osaka (JP); **Takashi Saitoh**,
Osaka (JP)
(73) Assignee: **NIPRO CORPORATION**, Osaka-Shi,
Osaka (JP)

(**) Term: **15 Years**

(21) Appl. No.: **29/573,905**

(22) Filed: **Aug. 10, 2016**

(30) **Foreign Application Priority Data**

Jul. 22, 2016 (JP) 2016-015604
Jul. 22, 2016 (JP) 2016-015605

(51) **LOC (11) Cl.** **09-01**

(52) **U.S. Cl.**
USPC **D9/724**

(58) **Field of Classification Search**
USPC D9/516, 529, 549, 550, 556, 558, 562,
D9/571, 723-727; D24/100, 108, 115;
(Continued)

(56) **References Cited**

U.S. PATENT DOCUMENTS

D249,644 S * 9/1978 Oeckl D7/590
D251,203 S * 2/1979 Williamson D24/114
(Continued)

Primary Examiner — Derrick E Holland

Assistant Examiner — Janice Patyk

(74) *Attorney, Agent, or Firm* — Birch, Stewart, Kolasch
& Birch, LLP

(57) **CLAIM**

The ornamental design for a packaging container, as shown
and described.

FIG. 1 is a perspective view of a packaging container,
showing our new design;
FIG. 2 is a front view thereof, and the rear view being the
same;
FIG. 3 is a top view thereof;
FIG. 4 is a bottom view thereof;
FIG. 5 is a right side view thereof, and the left side view
being the same;
FIG. 6 is a cross-sectional view thereof, taken along line
VI-VI of FIG. 2;
FIG. 7 is a cross-sectional view thereof, taken along line
VII-VII of FIG. 5;
FIG. 8 is a perspective view thereof, shown without the body
for ease of illustration;
FIG. 9 is a front view thereof, and the rear view being the
same, shown without the body for ease of illustration;
FIG. 10 is a top view thereof, shown without the body for
ease of illustration;
FIG. 11 is a bottom view thereof, shown without the body
for ease of illustration;
FIG. 12 is a right side view thereof, and the left side view
being the same, shown without the body for ease of illus-
tration;
FIG. 13 is a cross-sectional view thereof, taken along line
XIII-XIII of FIG. 9, shown without the body for ease of
illustration;
FIG. 14 is a cross-sectional view thereof, taken along line
XIV-XIV of FIG. 12, shown without the body for ease of
illustration;
FIG. 15 is a perspective view thereof, shown without the cap
for ease of illustration;
FIG. 16 is a front view thereof, and the rear view being the
same, shown without the cap for ease of illustration;
FIG. 17 is a top view thereof, shown without the cap for ease
of illustration;
FIG. 18 is a bottom view thereof, shown without the cap for
ease of illustration;
FIG. 19 is a right side view thereof, and the left side view
being the same, shown without the cap for ease of illustra-
tion;

(Continued)

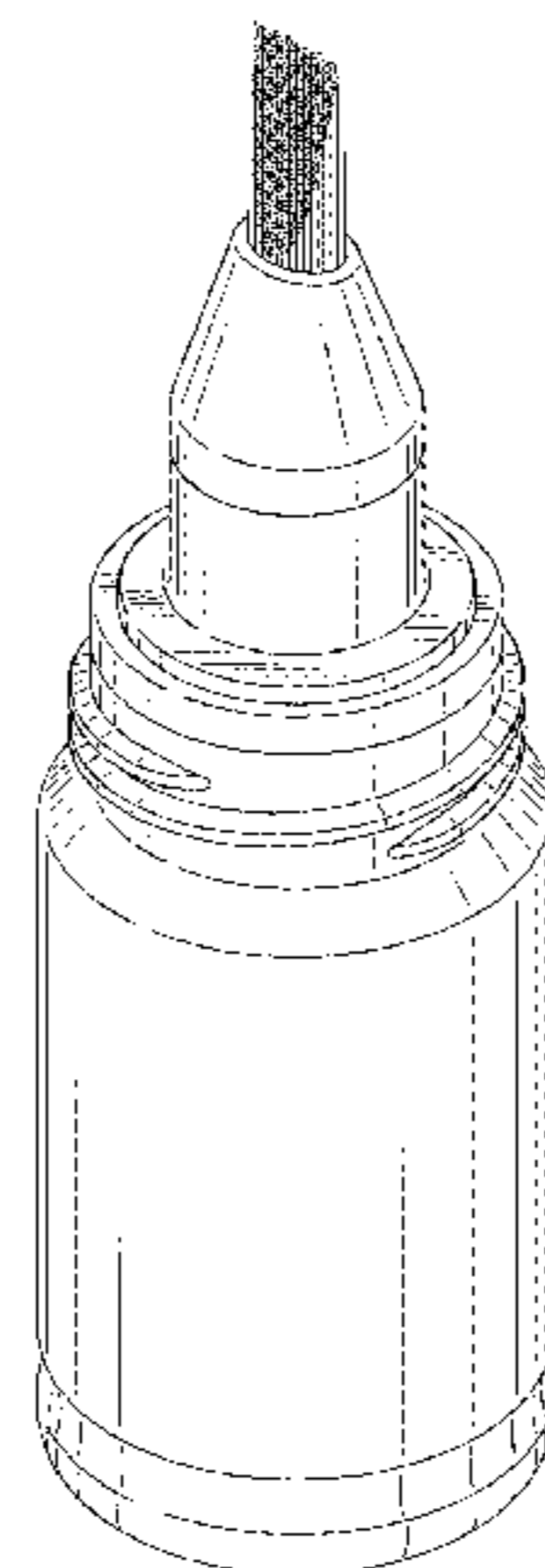
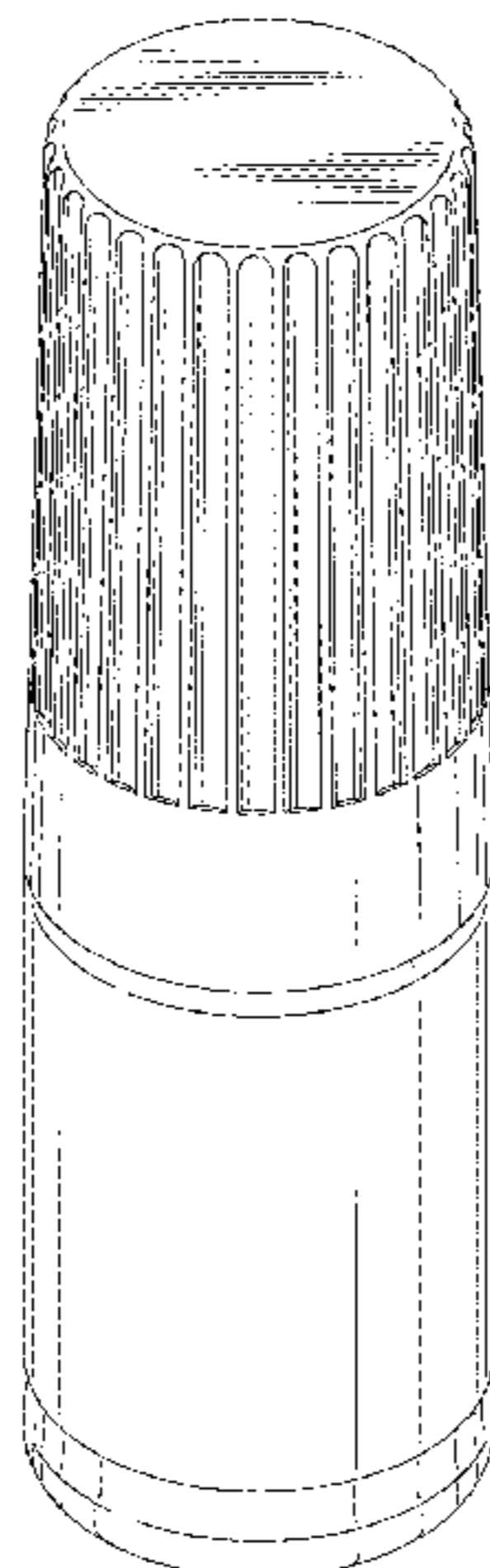


FIG. 20 is a cross-sectional view thereof, taken along line XX-XX of FIG. 16, shown without the cap for ease of illustration;

FIG. 21 is a cross-sectional view thereof, taken along line XXI-XXI of FIG. 19, shown without the cap for ease of illustration; and,

FIG. 22 is a partially enlarged view thereof, taken along XXII-XXII of FIG. 19, shown without the cap for ease of illustration.

The dot-dash broken lines of FIGS. 19 and 22 are included to show a partially enlarged view only and form no part of the claimed design.

1 Claim, 17 Drawing Sheets

(58) **Field of Classification Search**

USPC D28/4, 7, 9, 73, 76, 85; 206/385, 438,
206/823; 222/206, 212, 213, 215;
604/295; 606/204.25

CPC A45D 34/04; A45D 34/042; A45D 40/00;
A45D 40/26; A45D 40/262; B65D 1/023;
B65D 47/18; B65D 41/02; B65D 2203/00

See application file for complete search history.

(56)

References Cited

U.S. PATENT DOCUMENTS

D368,425	S	*	4/1996	Newell	D9/504
D386,674	S	*	11/1997	Corcoran	D9/549
D448,300	S	*	9/2001	Walters	D9/520
D468,211	S	*	1/2003	Harris	D9/530
D491,469	S	*	6/2004	Horie	D9/529
D542,659	S	*	5/2007	Meether	23/211.1
D551,569	S	*	9/2007	Tanaka	D9/724
D579,786	S	*	11/2008	Py	D9/724
D597,417	S	*	8/2009	Whittaker	D9/724
D601,908	S	*	10/2009	Yun	D9/724

* cited by examiner

FIG.1

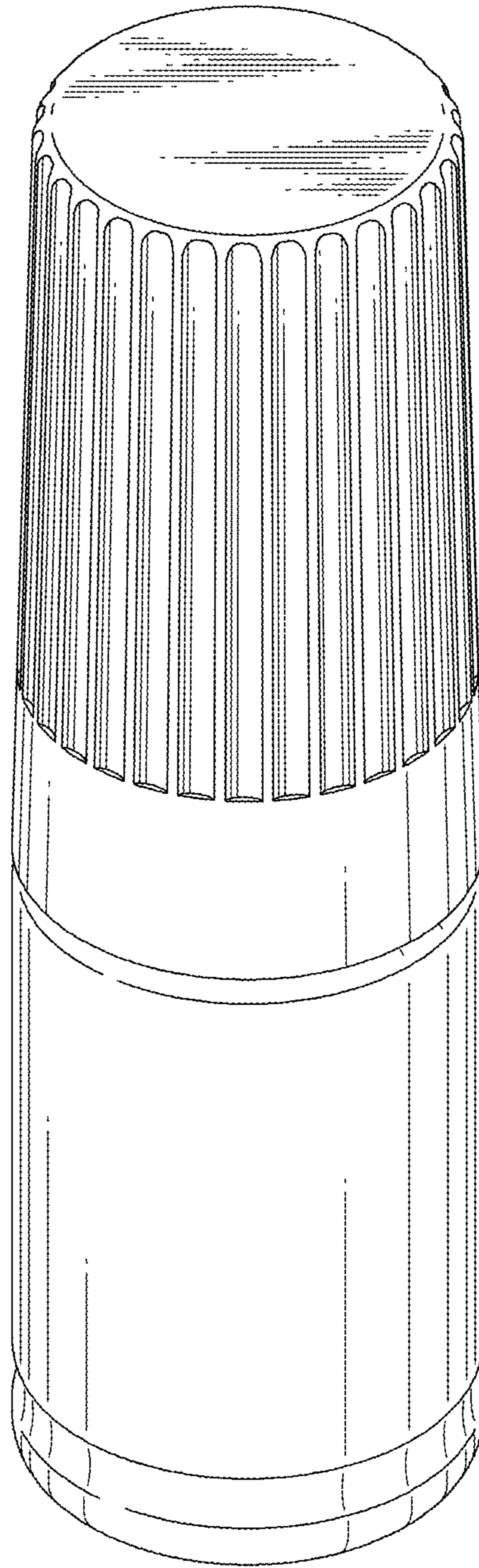


FIG.2

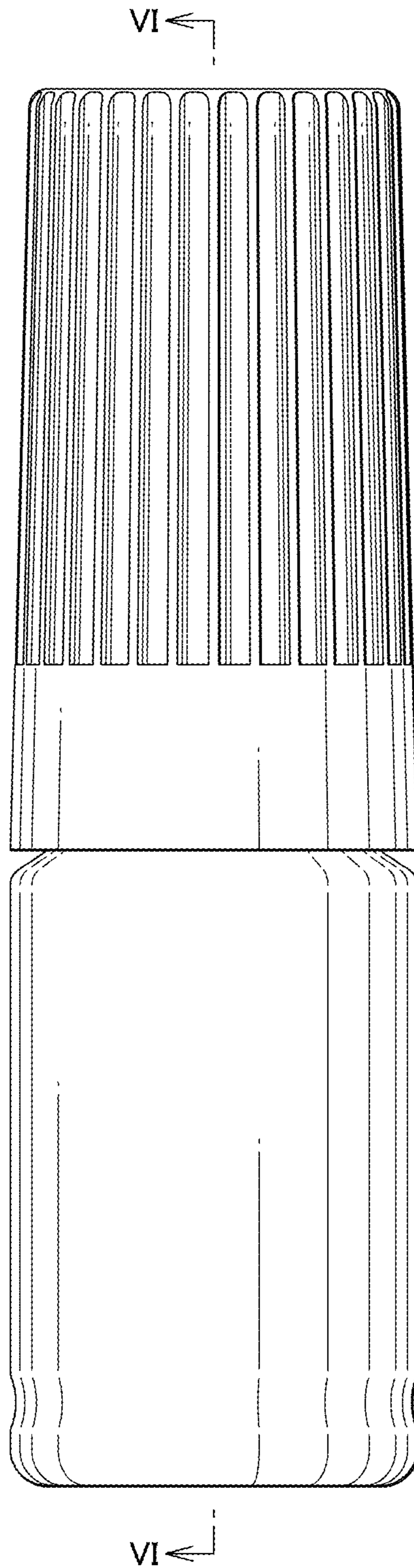


FIG.3

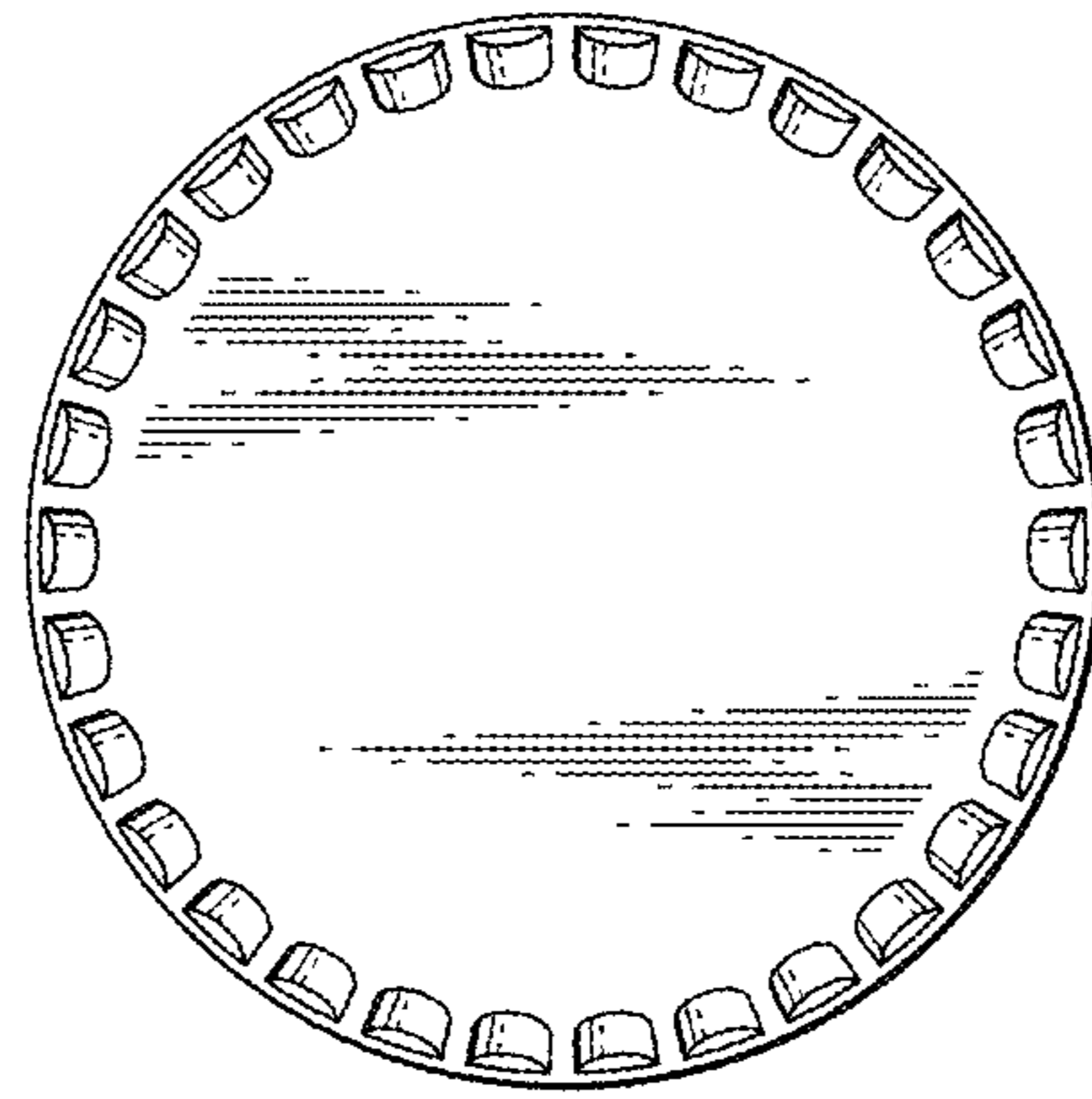


FIG.4

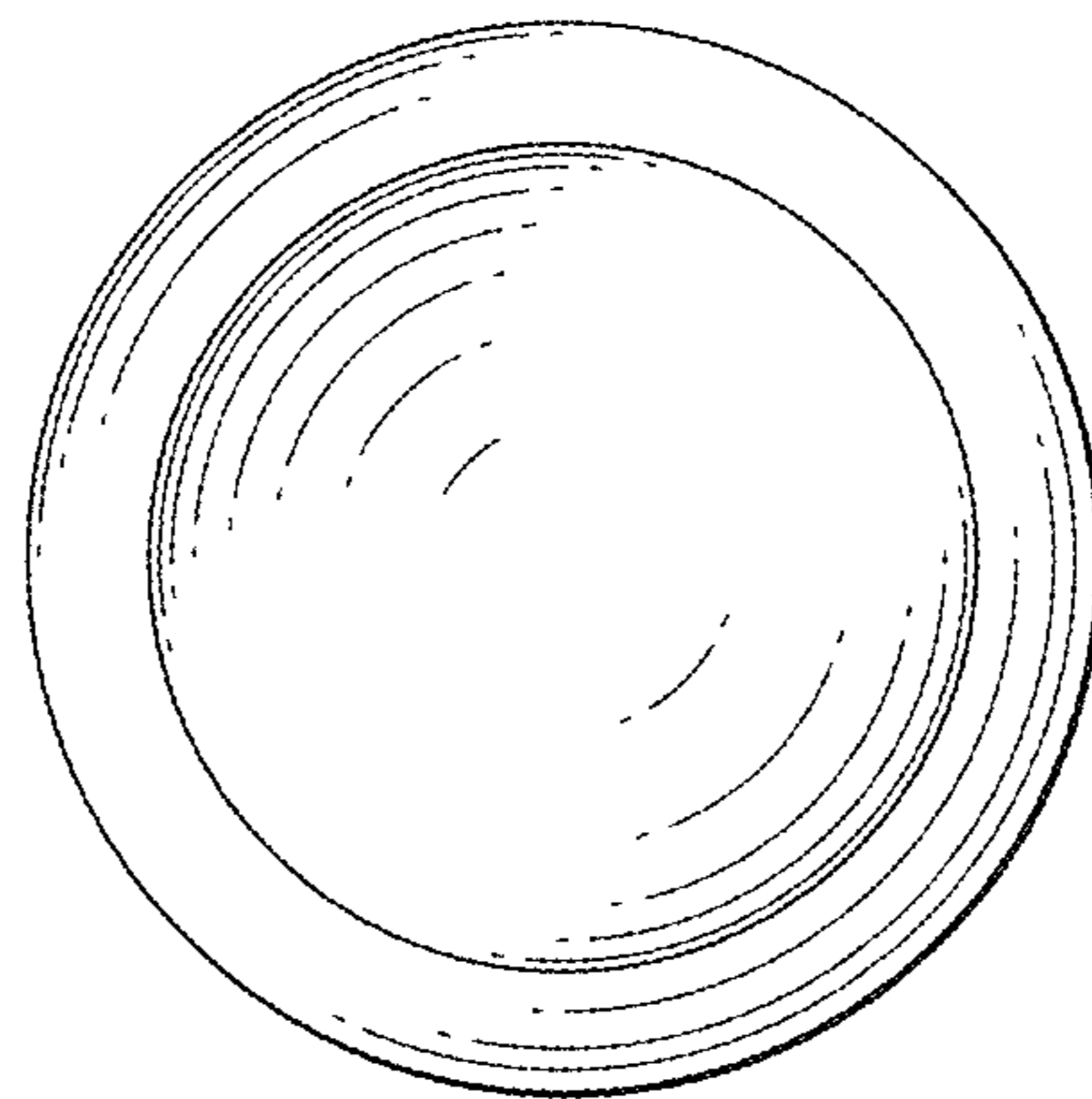


FIG.5

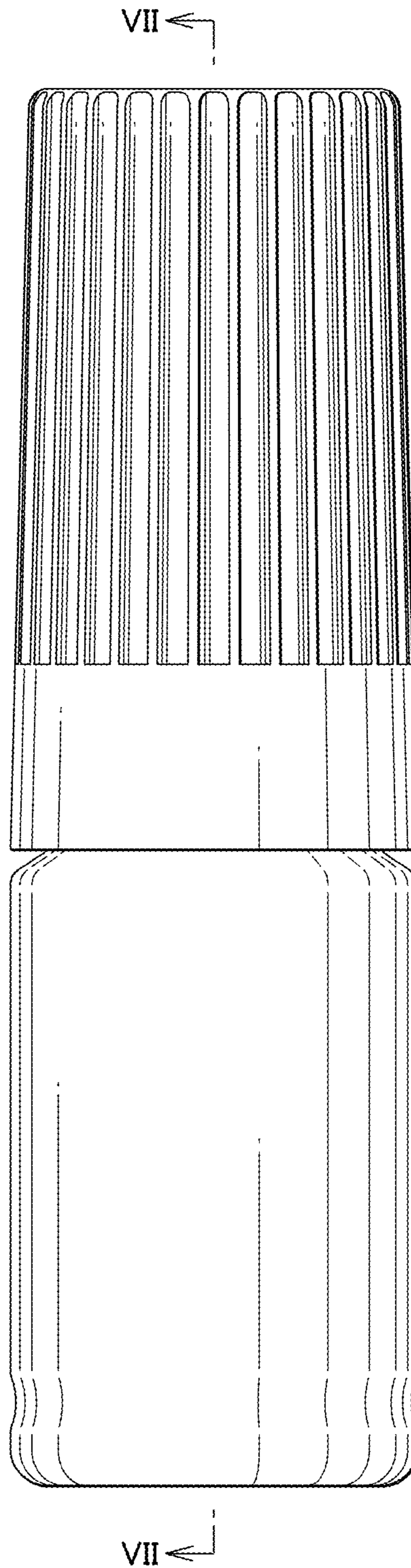


FIG.6

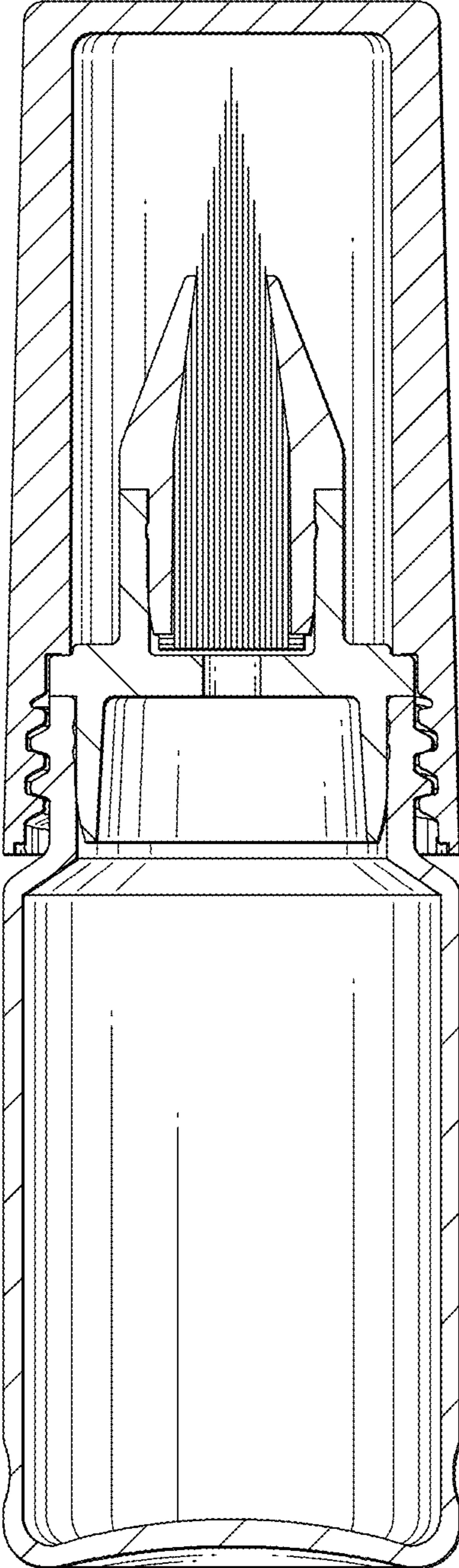


FIG. 7

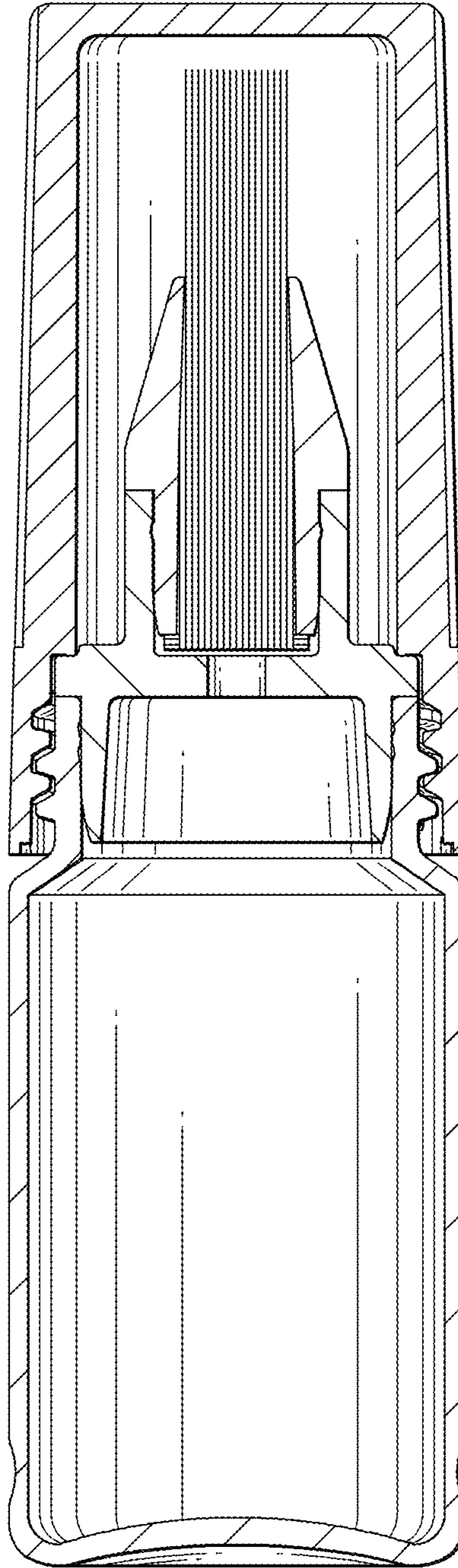


FIG.8

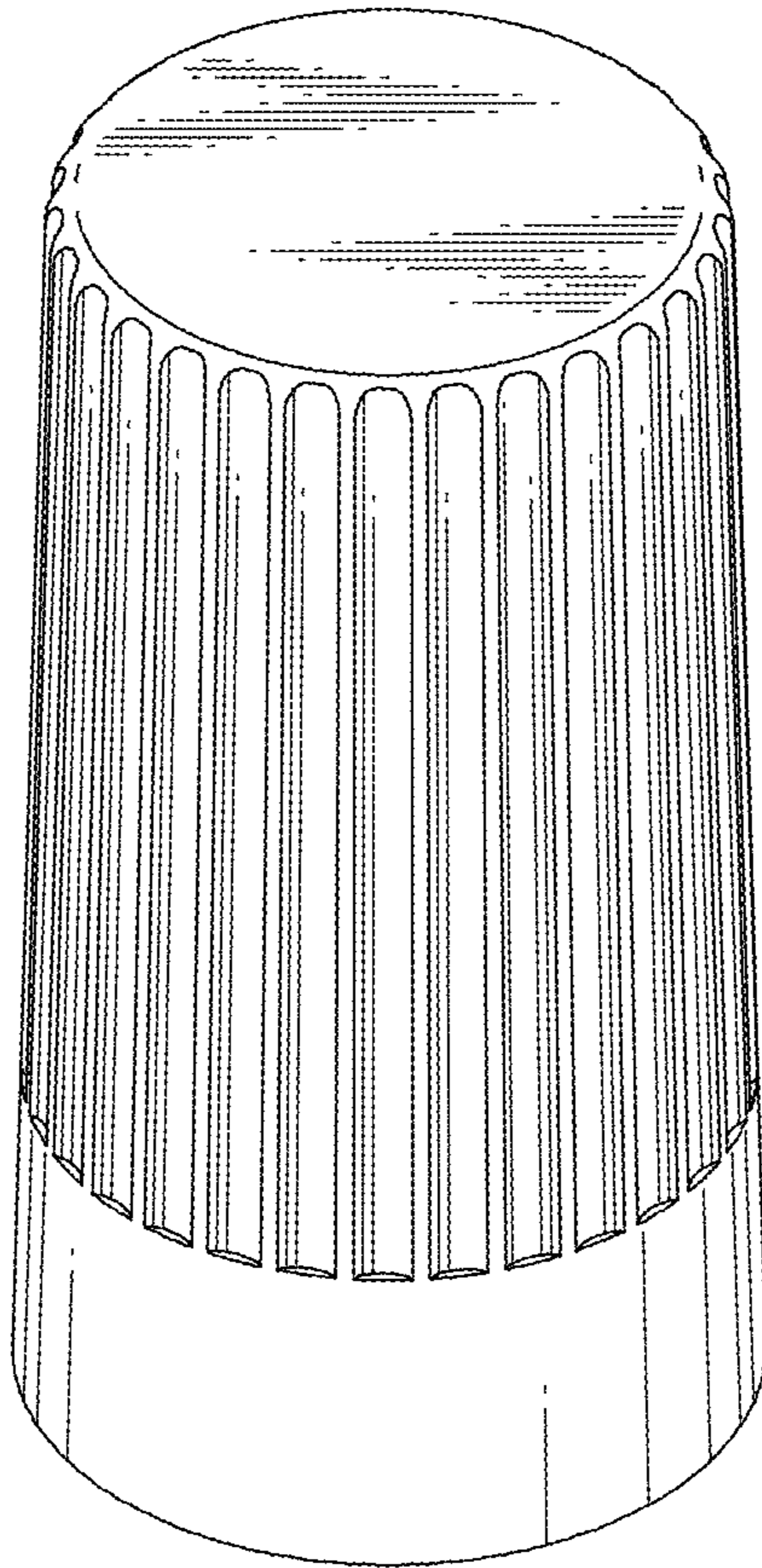


FIG.9

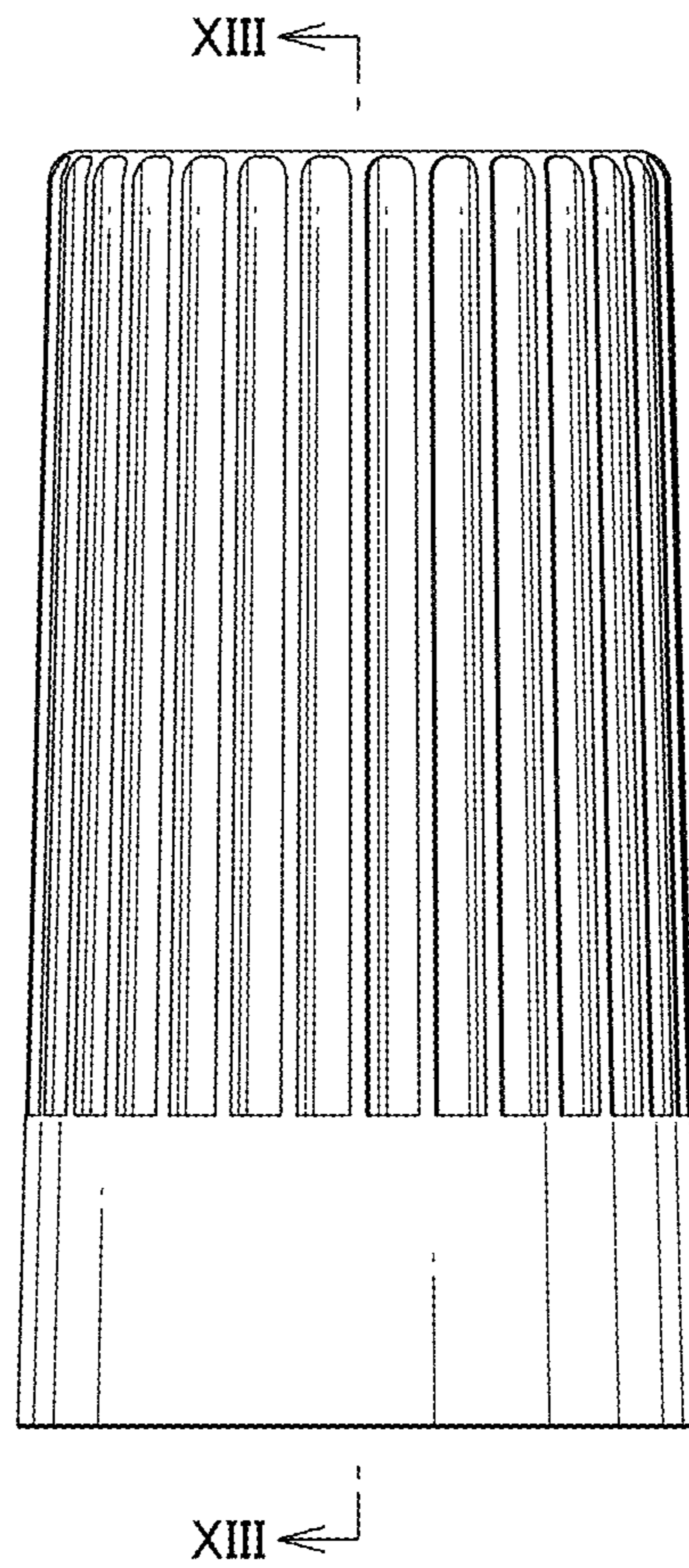


FIG.10

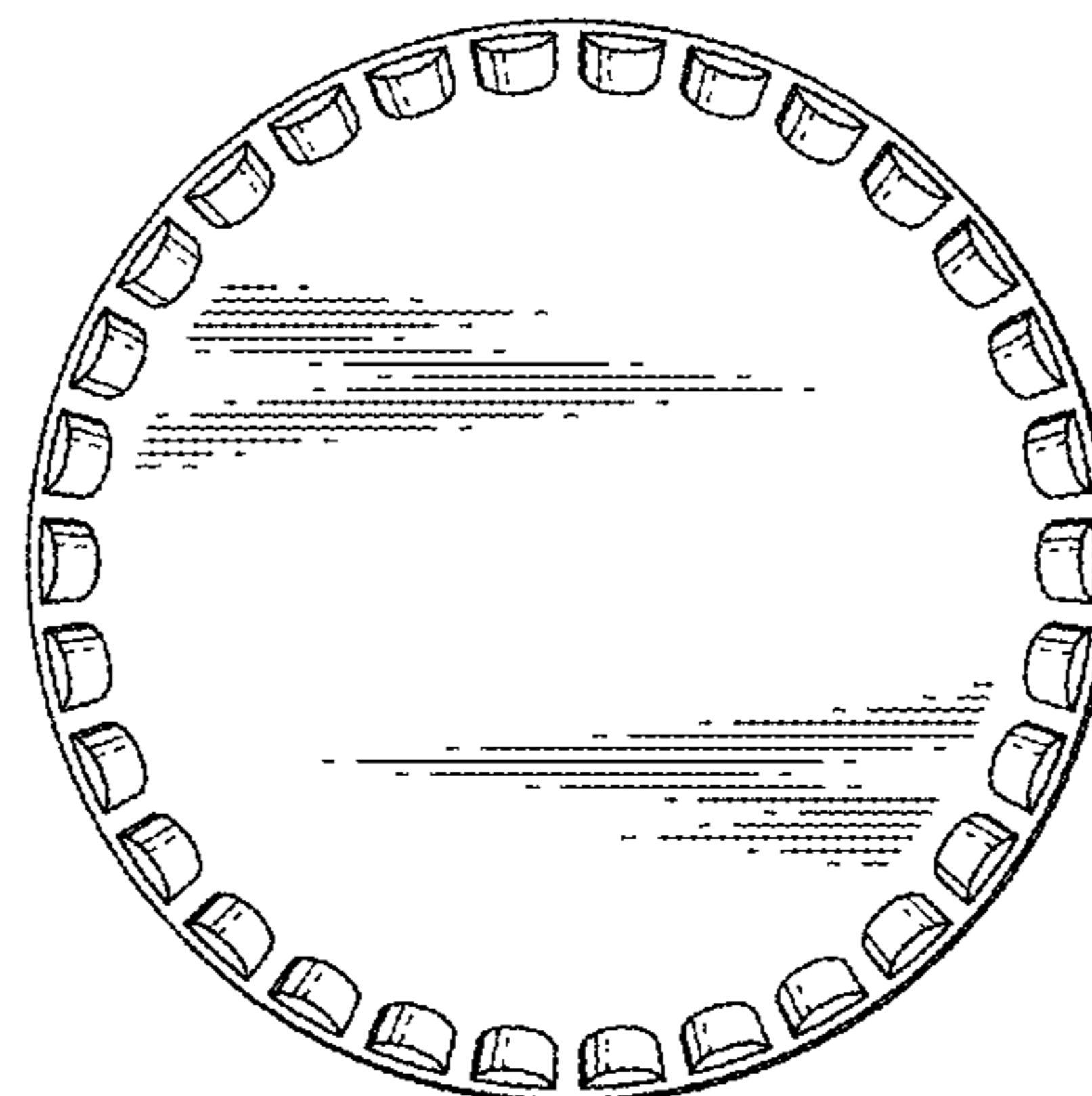


FIG. 11

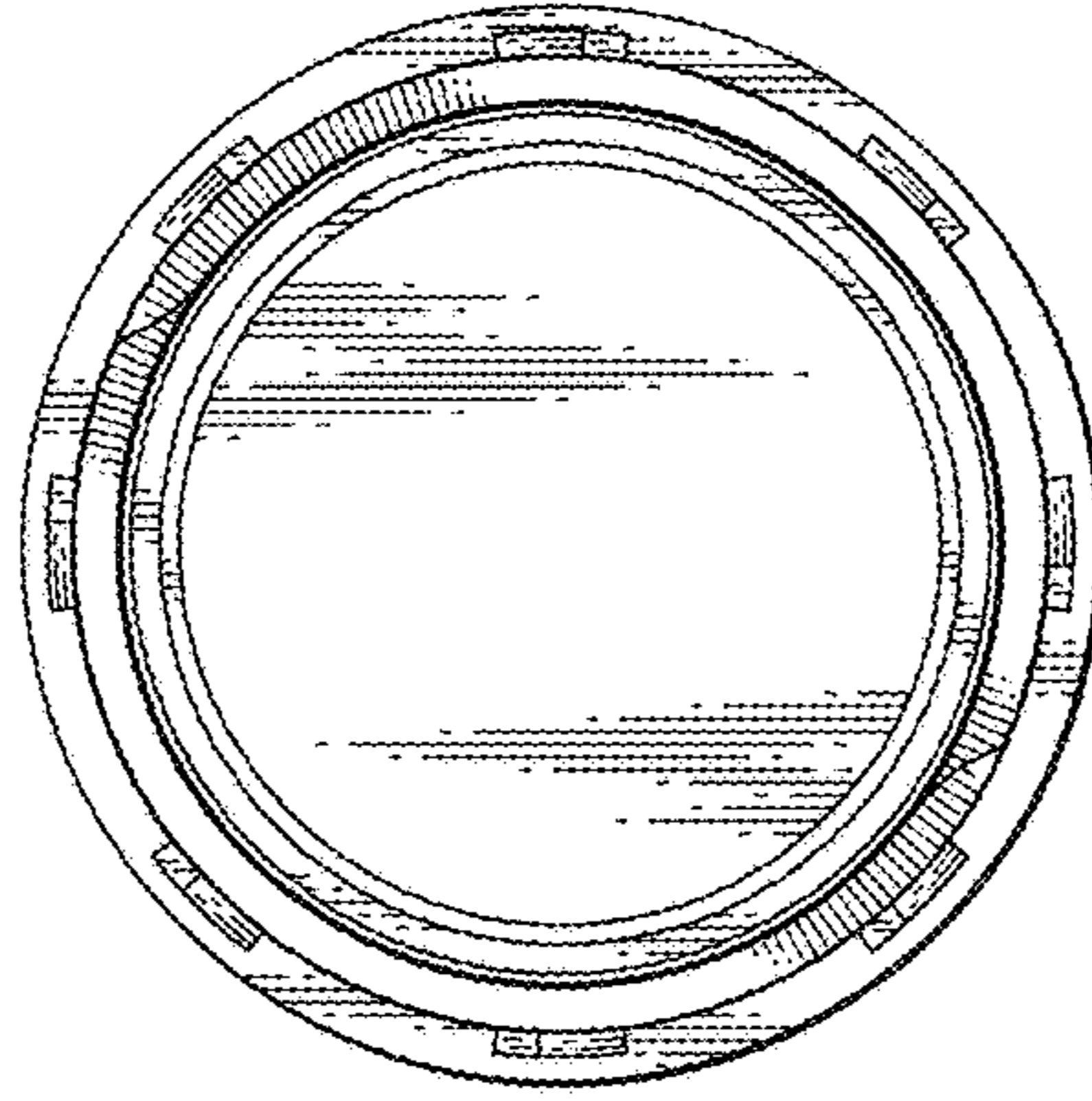


FIG. 12

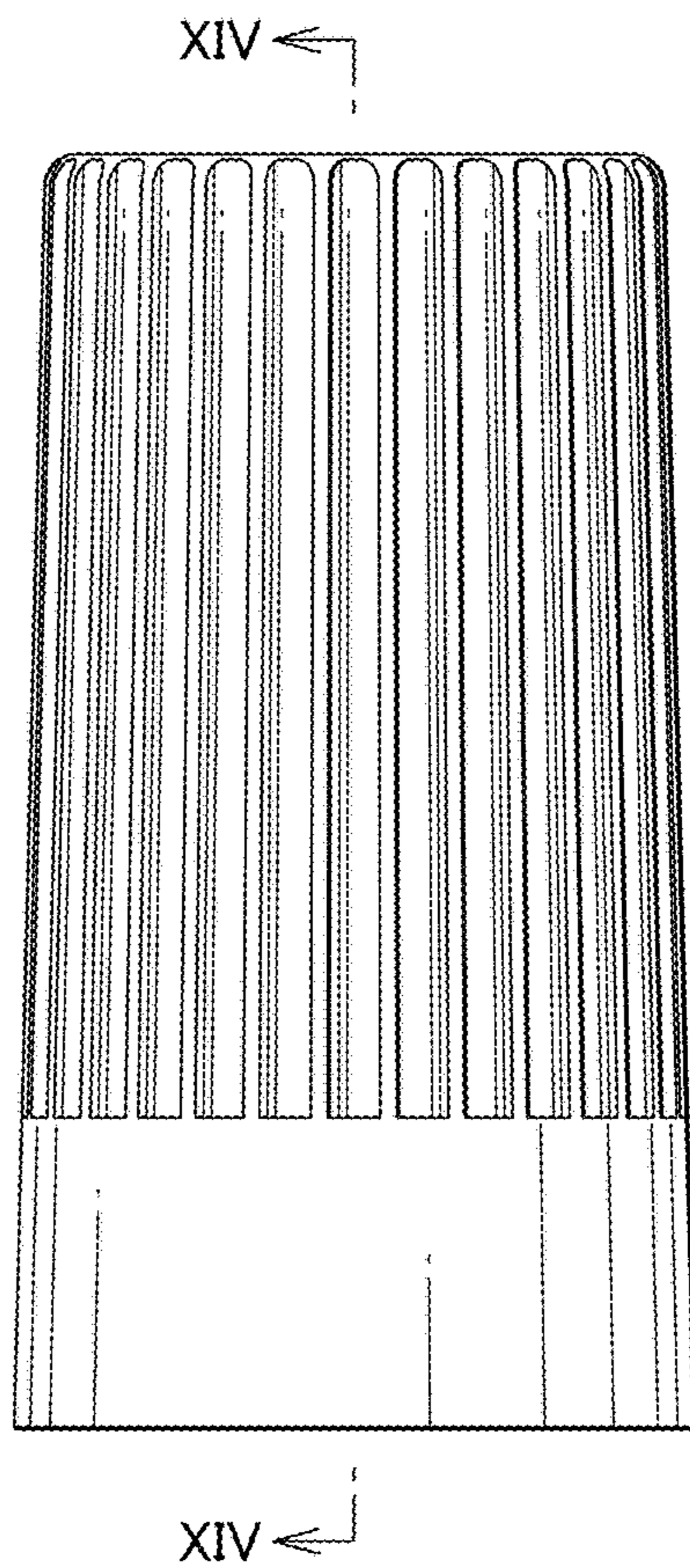


FIG.13

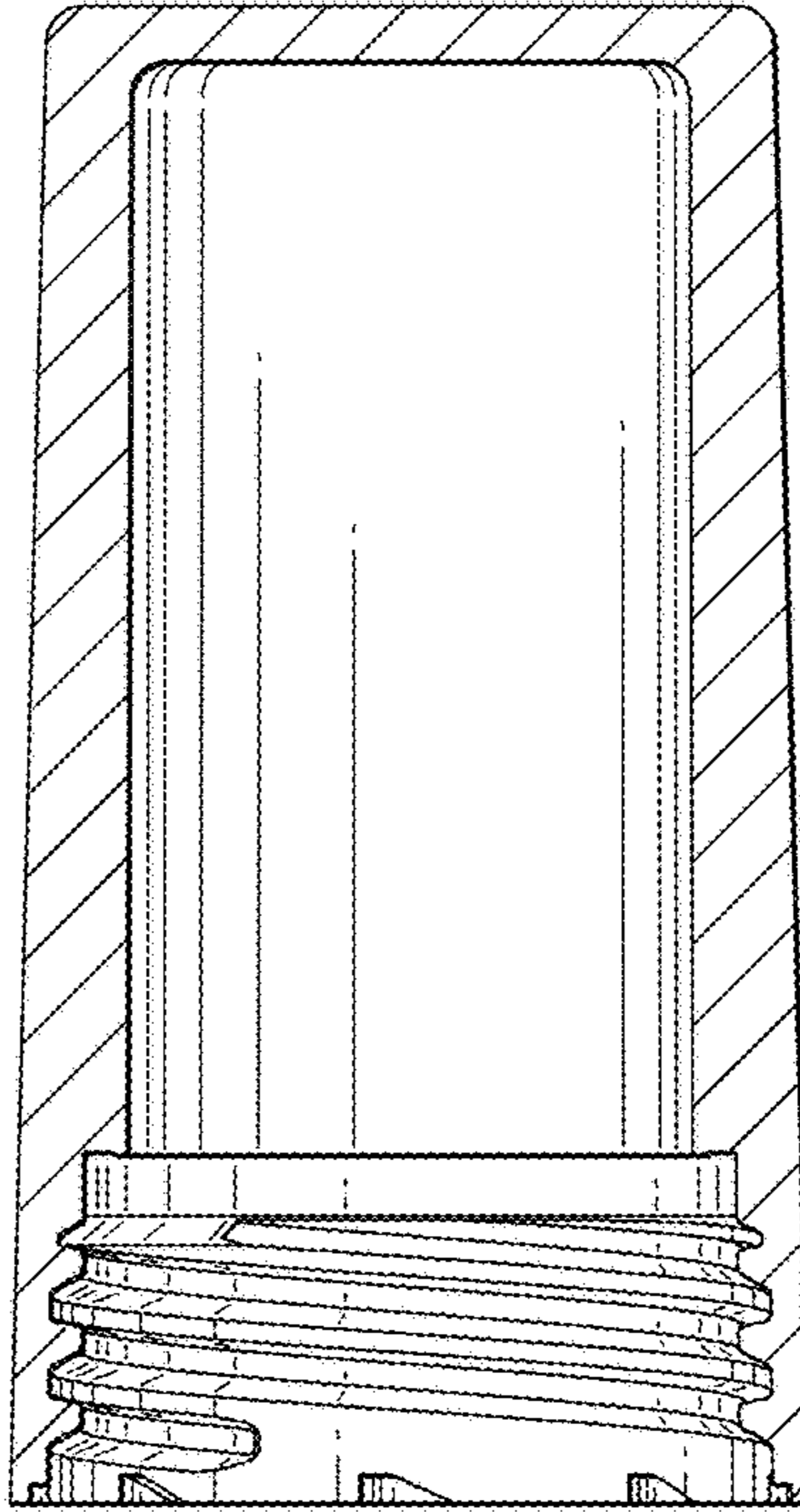


FIG.14

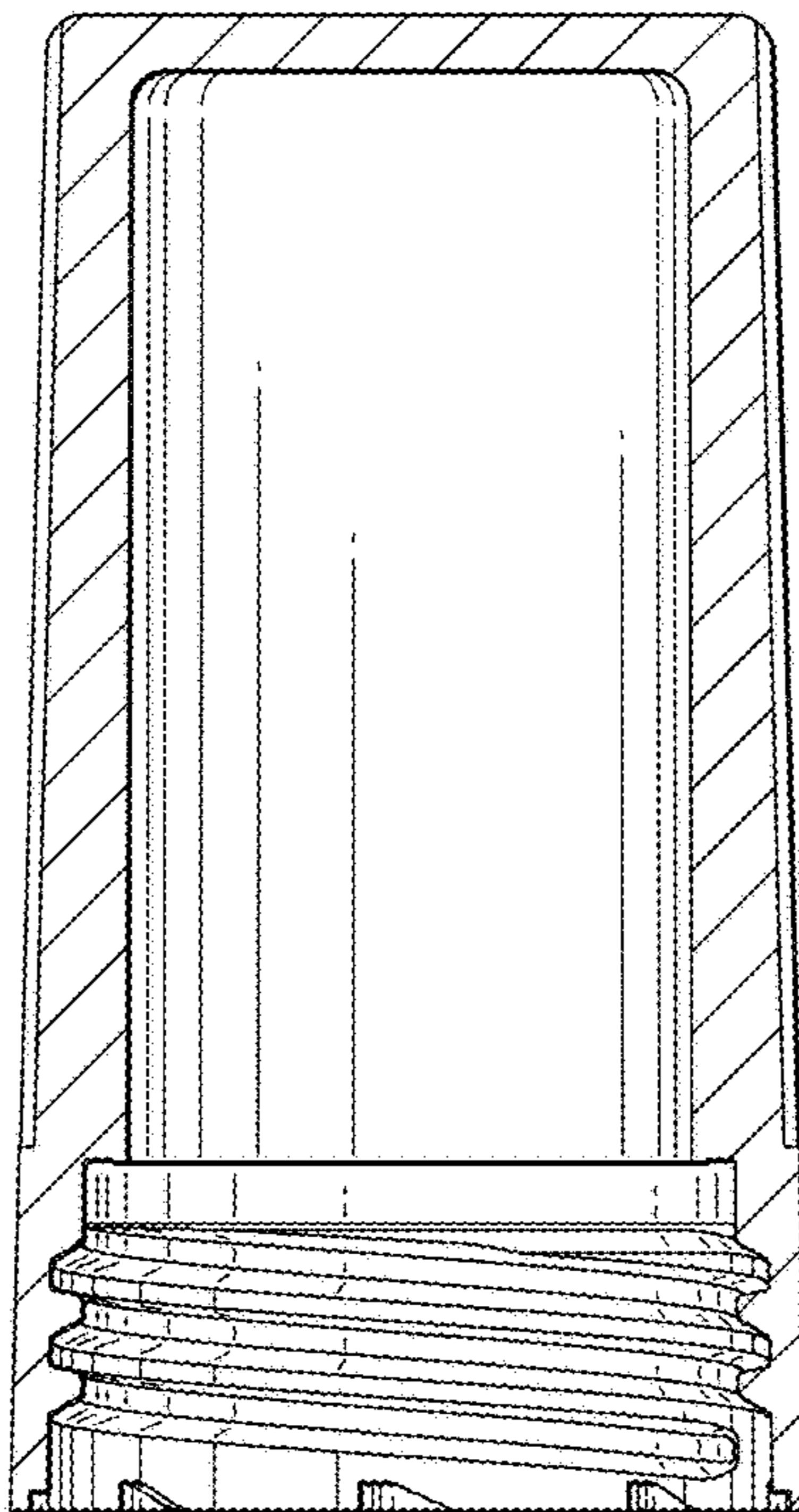


FIG.15

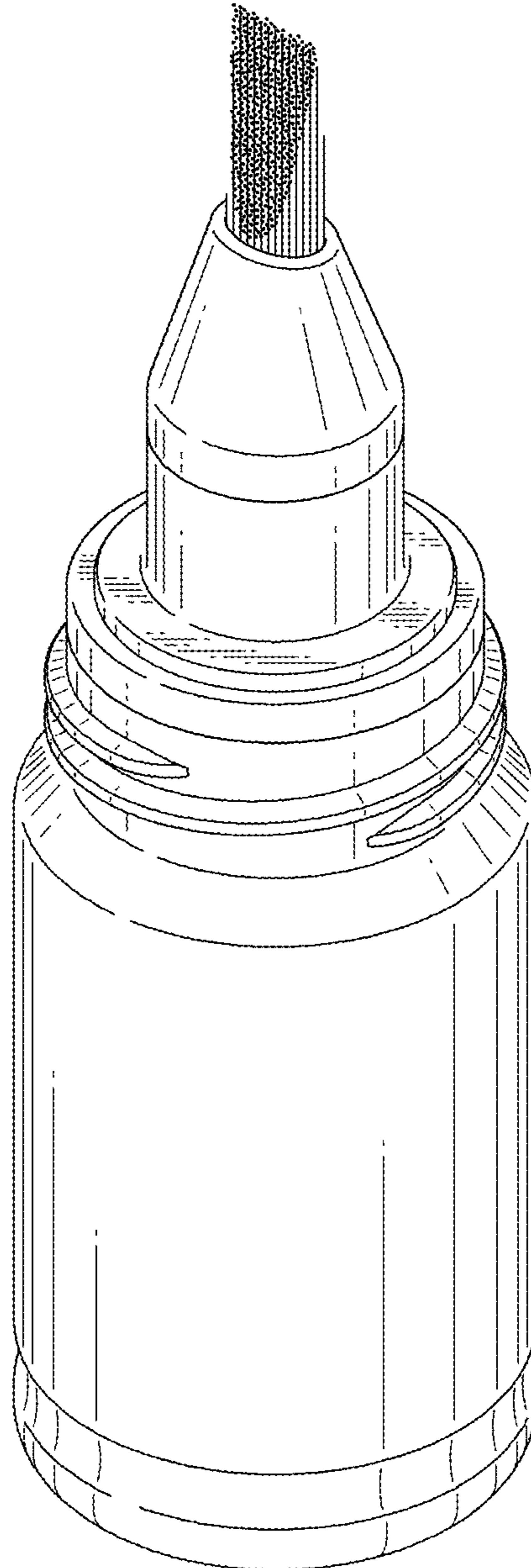


FIG.16

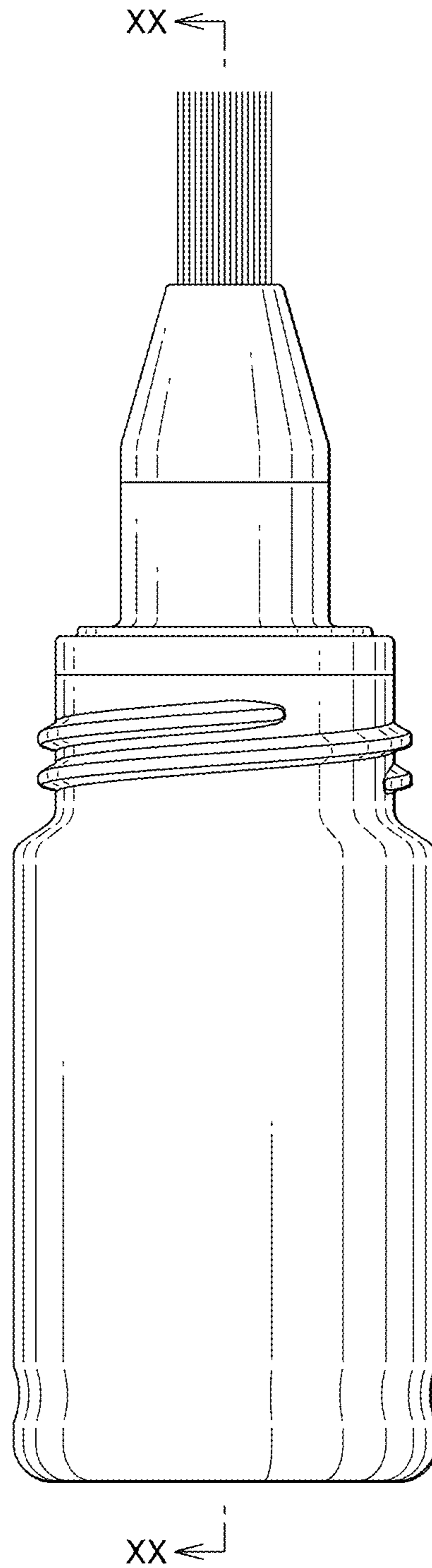


FIG.17

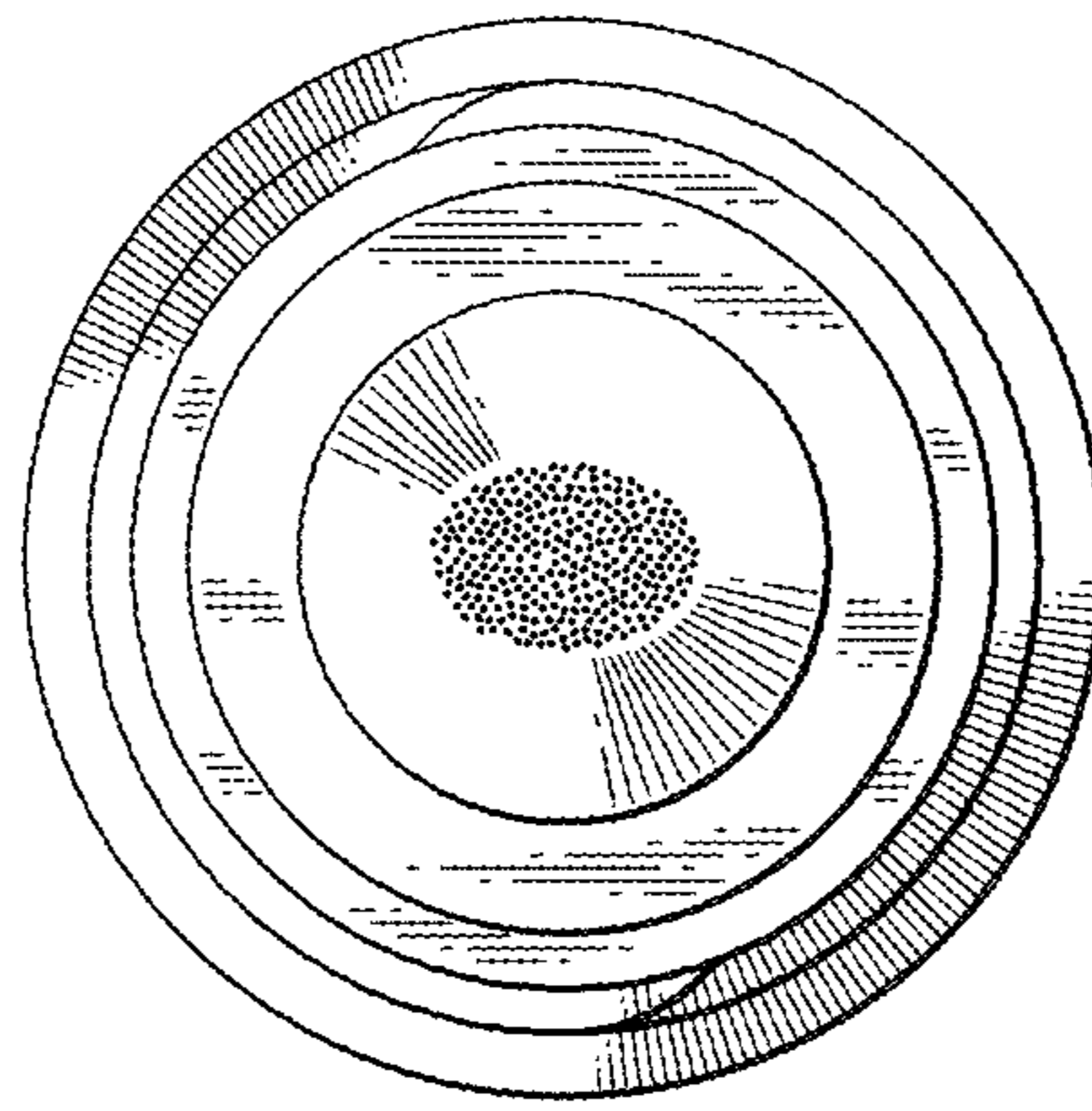


FIG.18

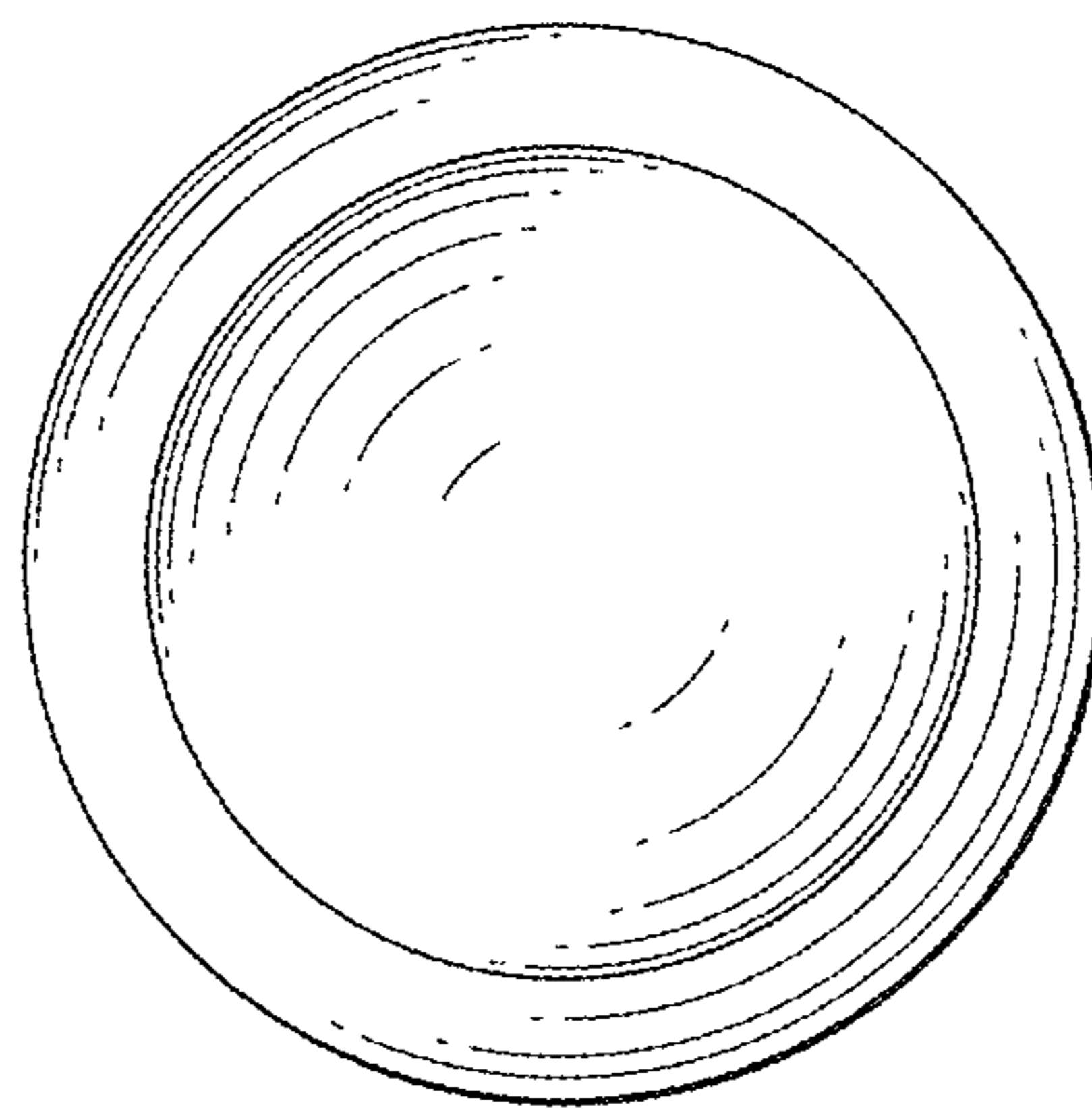


FIG. 19

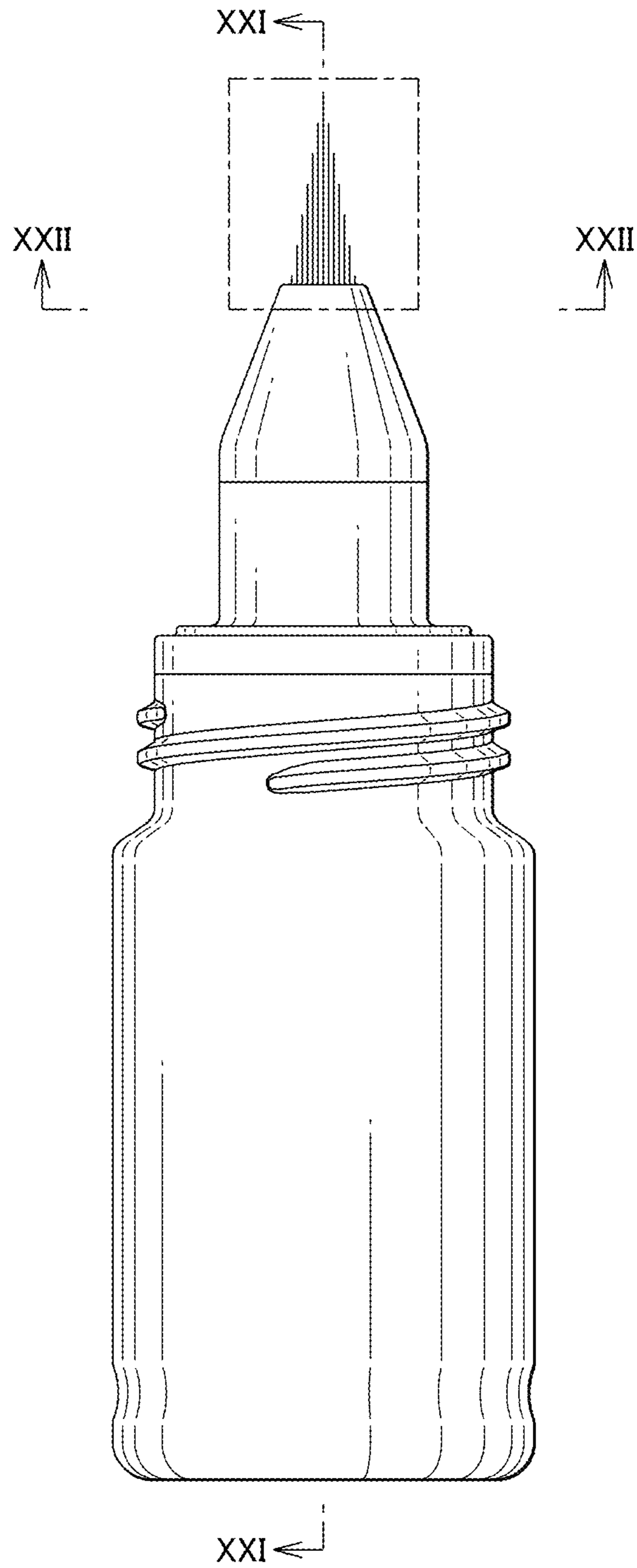


FIG.20

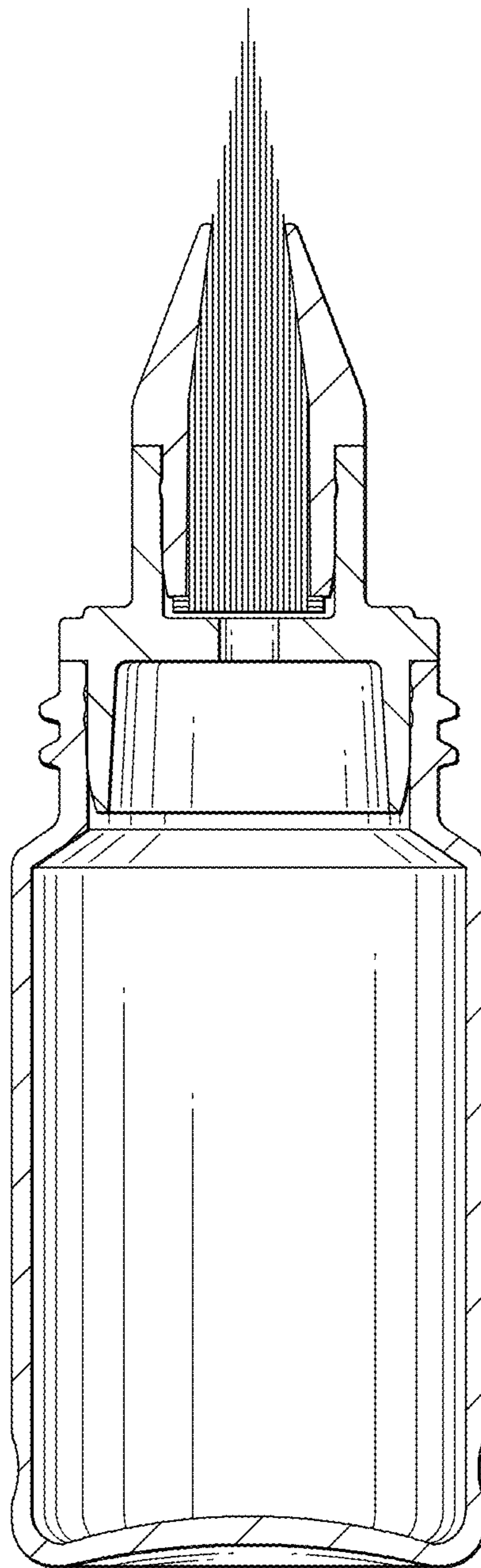


FIG.21

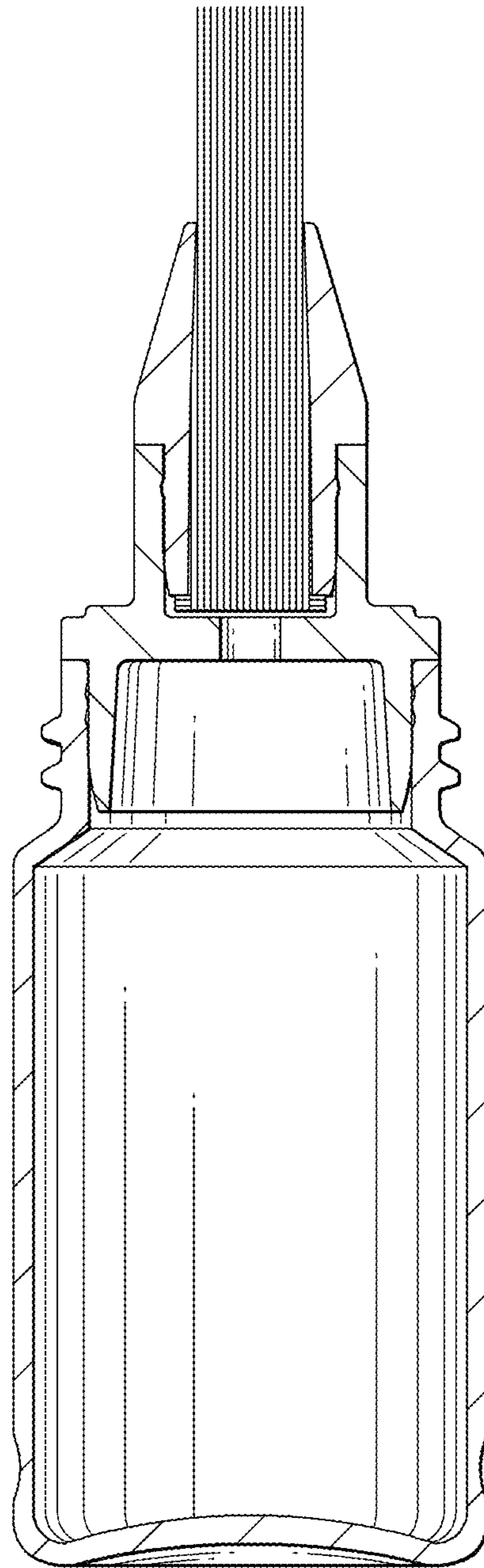


FIG.22

