



US00D837065S

(12) **United States Design Patent** (10) **Patent No.:** **US D837,065 S**
Baez (45) **Date of Patent:** **** Jan. 1, 2019**

(54) **REUSABLE GIFT WRAP**

(71) Applicant: **Totembowlz, LLC**, Gilbert, AZ (US)

(72) Inventor: **Hethyre Baez**, Gilbert, AZ (US)

(73) Assignee: **Totembowlz, LLC**, Gilbert, AZ (US)

(**) Term: **15 Years**

(21) Appl. No.: **29/581,042**

(22) Filed: **Oct. 14, 2016**

(51) **LOC (11) Cl.** **09-05**

(52) **U.S. Cl.**
USPC **D9/702**

(58) **Field of Classification Search**
USPC D9/702-714, 720, 416-417;
D24/118-119, 207; 383/200, 207, 38,
383/208-209, 63, 61.1, 113; 229/87.06,
229/87.08; 426/106, 115, 122, 410;
222/94, 107, 541.1, 92, 541.2; 206/811,
206/229, 484
CPC B65D 75/00; B65D 75/02; B65D 75/002;
B65D 75/006; B65D 65/00; B65D 65/06;
B65D 65/22

See application file for complete search history.

(56) **References Cited**

U.S. PATENT DOCUMENTS

| | | | | | |
|-----------|------|--------|---------|-------|-------------------------|
| 5,004,144 | A * | 4/1991 | Selga | | A45C 7/0095 206/457 |
| 5,904,289 | A * | 5/1999 | Hagan | | B65D 65/14 229/87.19 |
| D439,508 | S * | 3/2001 | Strunk | | D5/22 |
| 6,343,734 | B1 * | 2/2002 | Smith | | B65D 65/14 229/87.19 |
| D612,744 | S * | 3/2010 | Childs | | D9/706 |
| D619,477 | S * | 7/2010 | Frizell | | D5/99 |

(Continued)

OTHER PUBLICATIONS

Website: <http://www.enfoldgiftwrap.com/>.

(Continued)

Primary Examiner — Abraham Bahta

(74) *Attorney, Agent, or Firm* — Snell & Wilmer L.L.P.

(57) **CLAIM**

The ornamental design for a reusable gift wrap, as shown and described.

DESCRIPTION

FIG. 1 is a perspective view depicting a reusable gift wrap having folded sides;

FIG. 2 is a second perspective view of the reusable gift wrap of FIG. 1;

FIG. 3 is a front view of the reusable gift wrap of FIG. 1;

FIG. 4 is a back view of the reusable gift wrap of FIG. 1;

FIG. 5 is a left view of the reusable gift wrap of FIG. 1;

FIG. 6 is a right view of the reusable gift wrap of FIG. 1;

FIG. 7 is a top view of the reusable gift wrap of FIG. 1;

FIG. 8 is a bottom view of the reusable gift wrap of FIG. 1;

FIG. 9 is a perspective view of a reusable gift wrap having unfolded sides;

FIG. 10 is a front view of the reusable gift wrap of FIG. 9;

FIG. 11 is back view of the reusable gift wrap of FIG. 9;

FIG. 12 is a left side view of the reusable gift wrap of FIG. 9;

FIG. 13 is a right side view of the reusable gift wrap of FIG. 9;

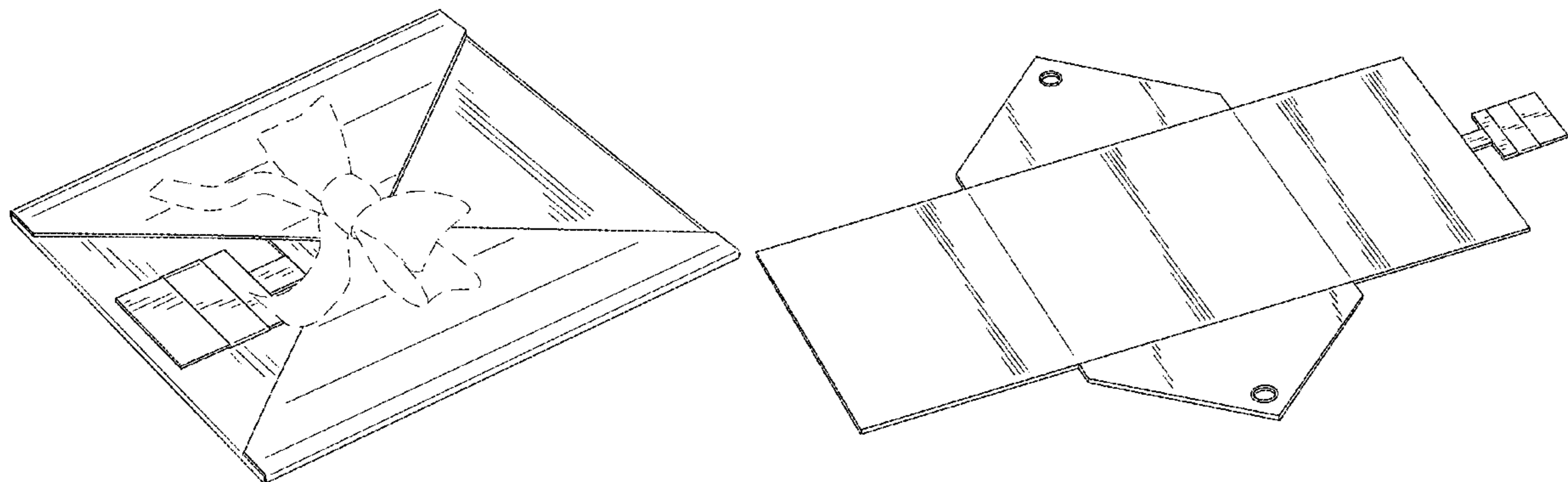
FIG. 14 is a top view of the reusable gift wrap of FIG. 9;

FIG. 15 is a bottom view of the reusable gift wrap of FIG. 9; and,

FIG. 16 is a perspective view of a reusable gift wrap having partially folded sides.

In the drawings, the broken lines depict environmental subject matter only and form no part of the claimed design.

1 Claim, 11 Drawing Sheets



(56)

References Cited

U.S. PATENT DOCUMENTS

9,174,783 B1 * 11/2015 Grabell B65D 29/02
D772,724 S * 11/2016 Boekeloo D9/713

OTHER PUBLICATIONS

Website: <http://giftitgreen.com/>.

Old GG Wrap 1—Images of reusable gift wrap without tag—
Holiday Theme.

Old GG Wrap 2—Images of reusable gift wrap without tag—
Multicolor Theme.

* cited by examiner

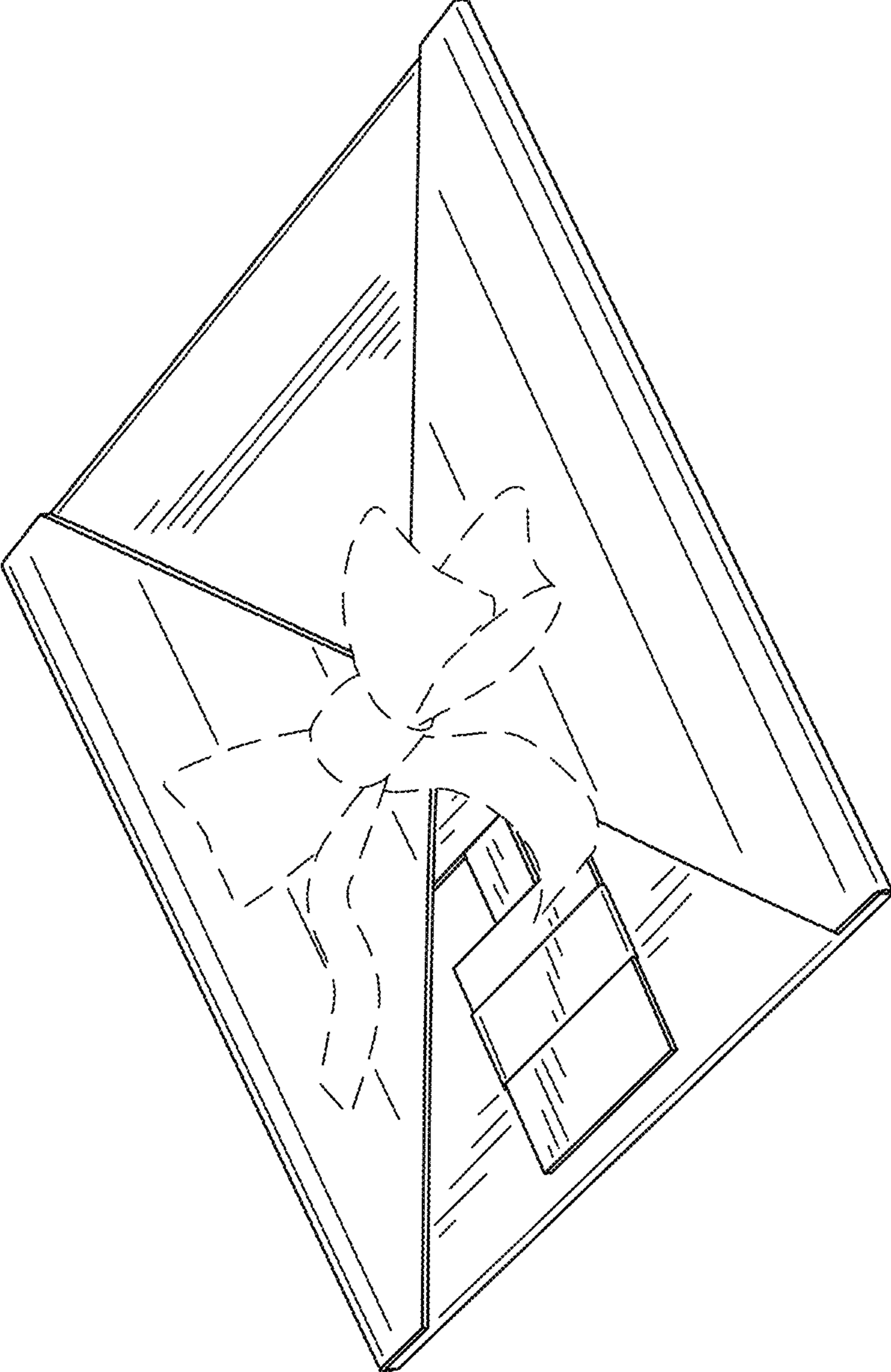


FIG.1

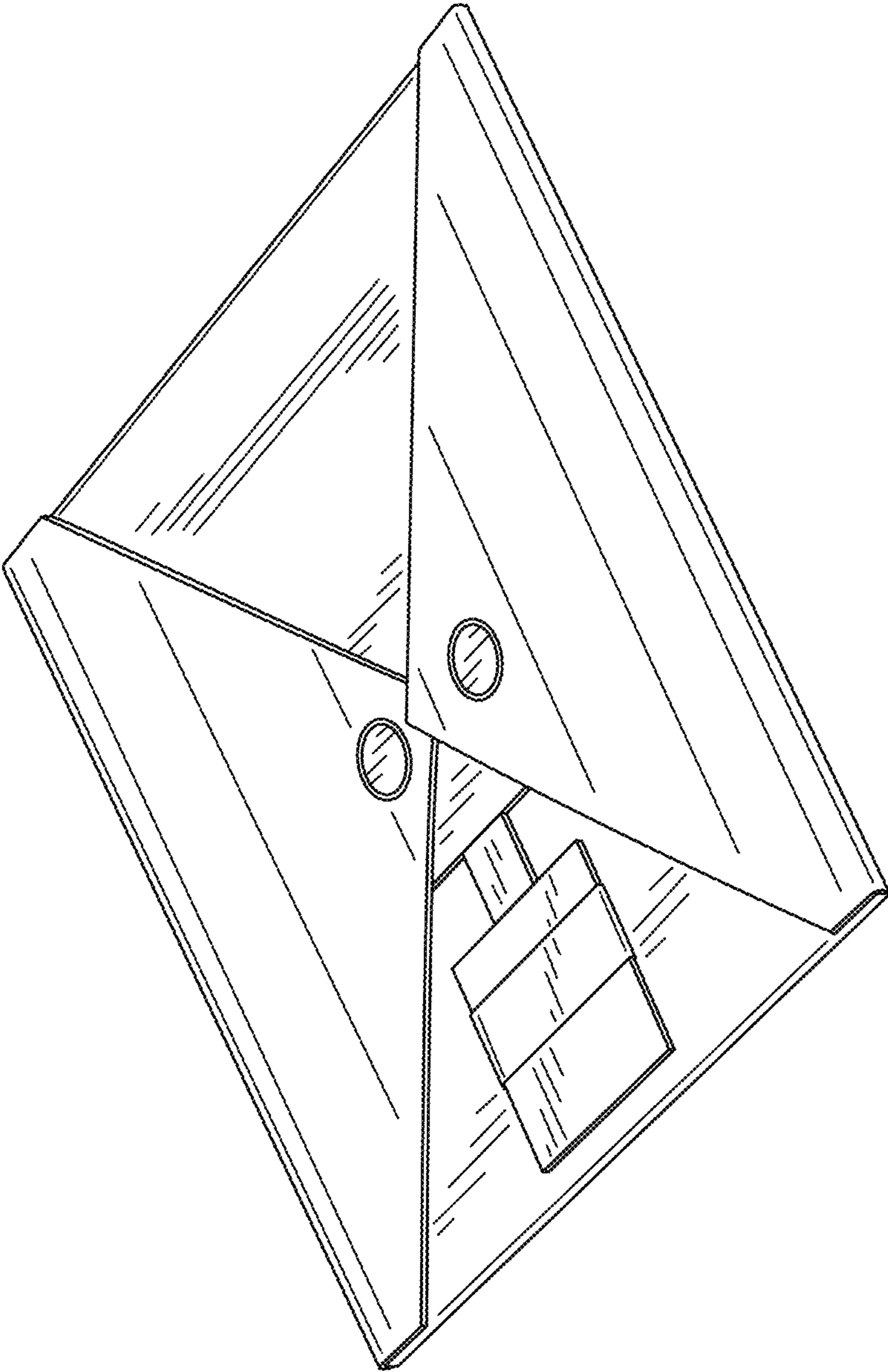


FIG.2

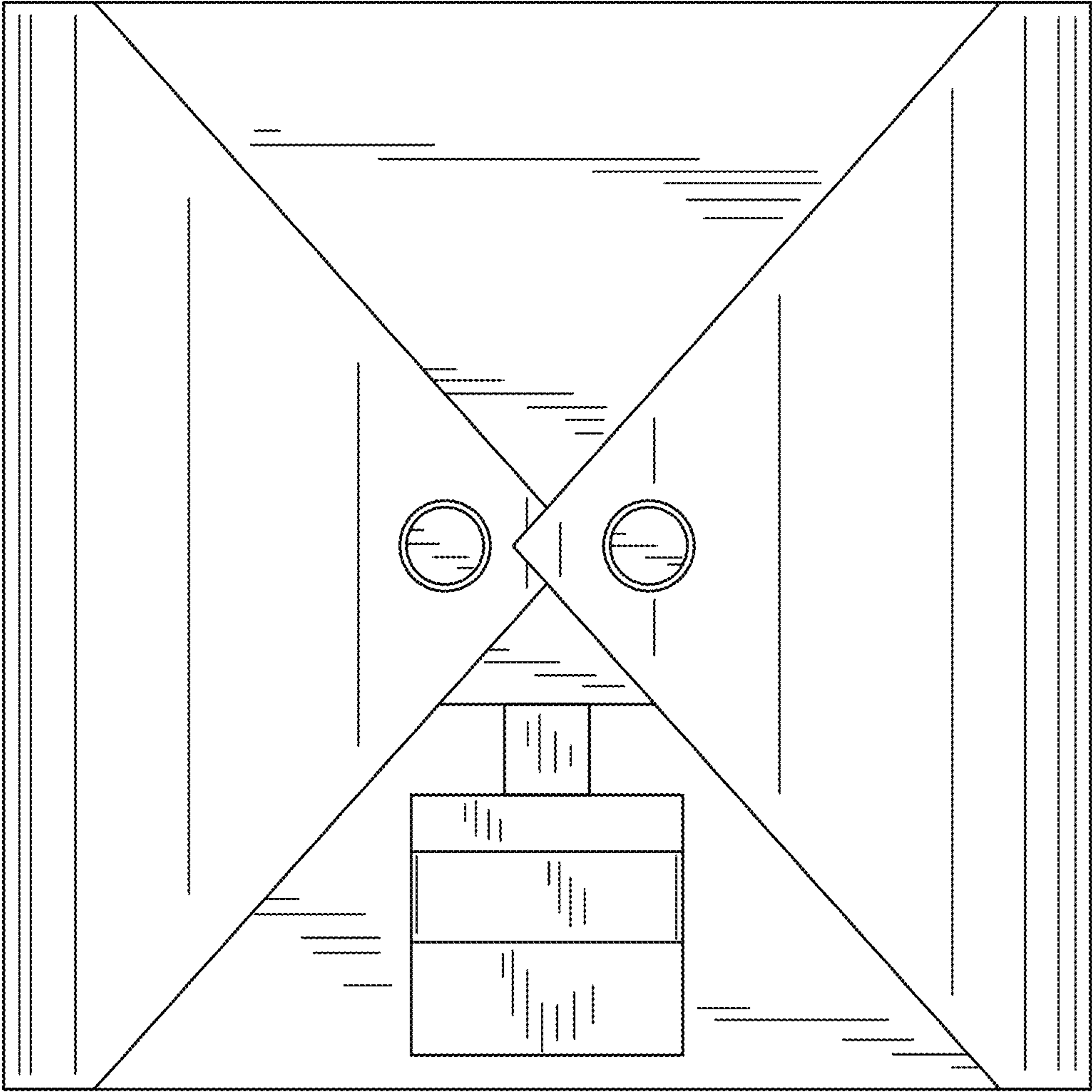


FIG.3

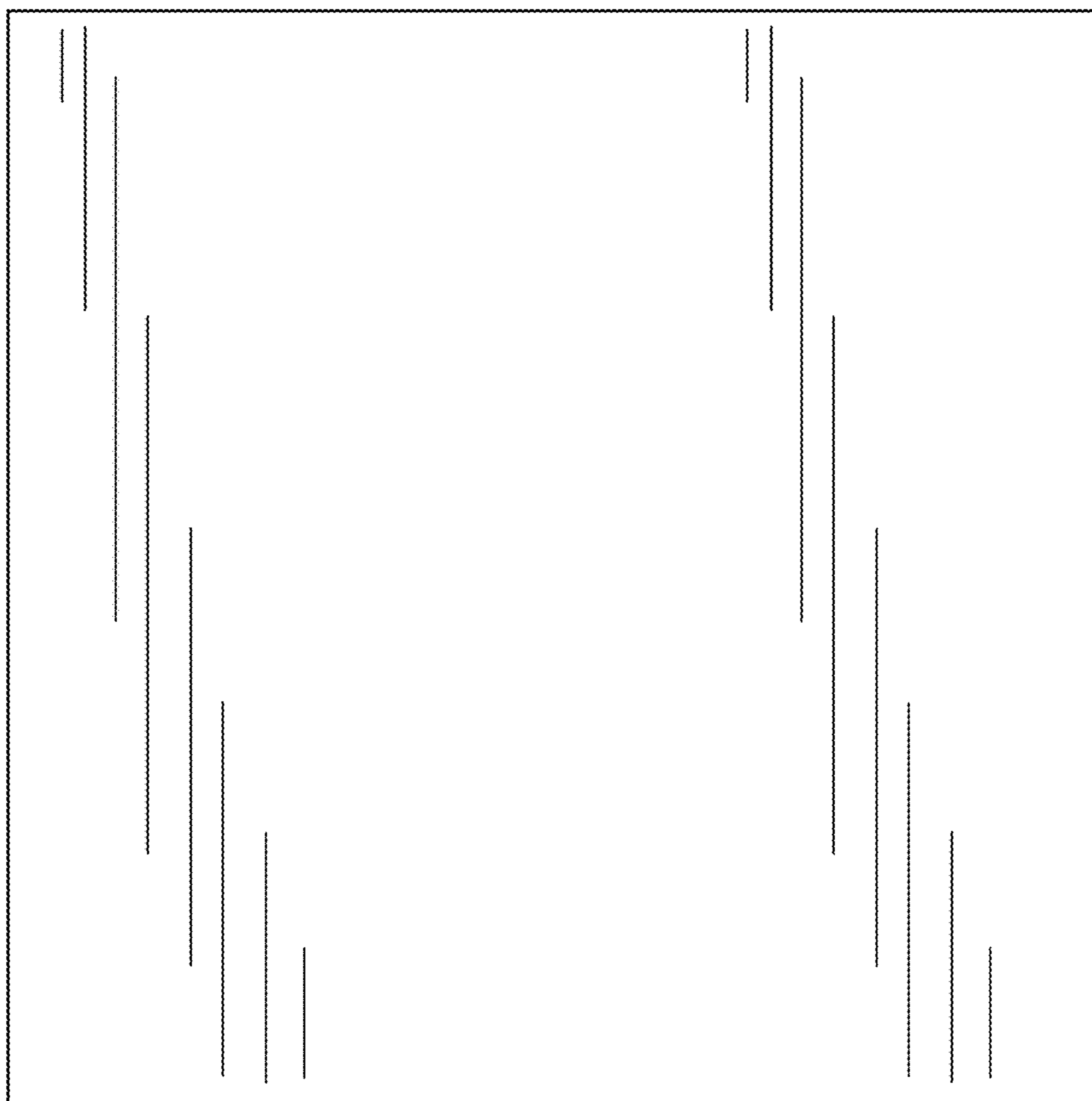


FIG.4

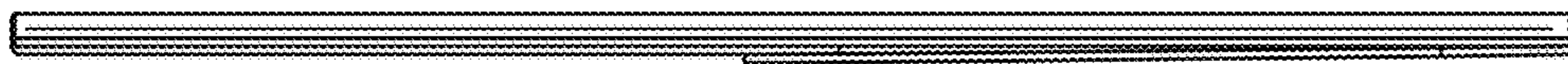
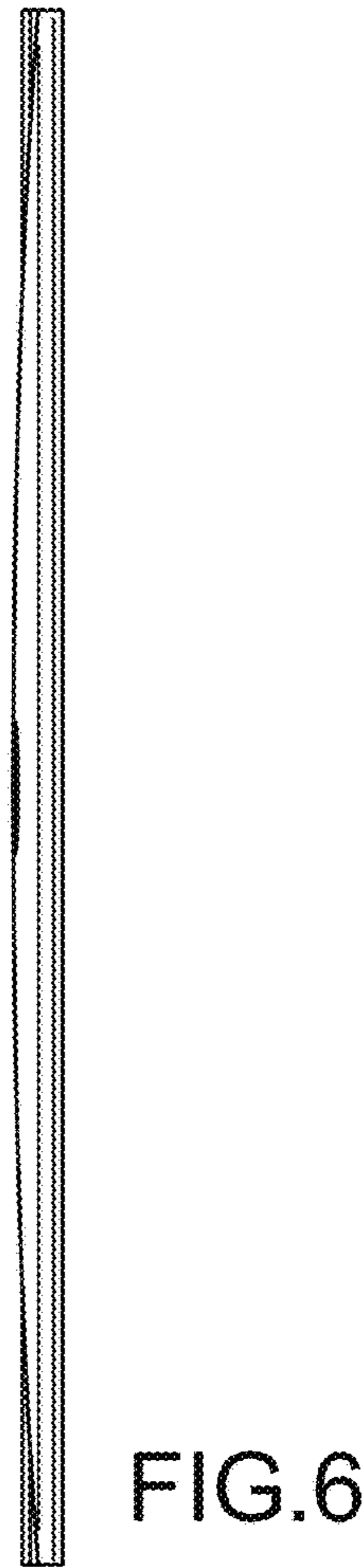


FIG. 7

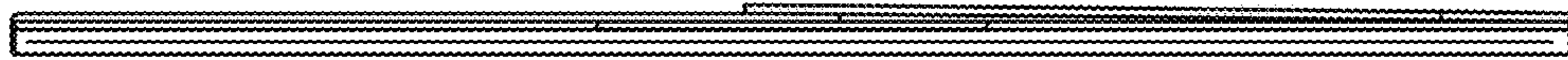


FIG. 8

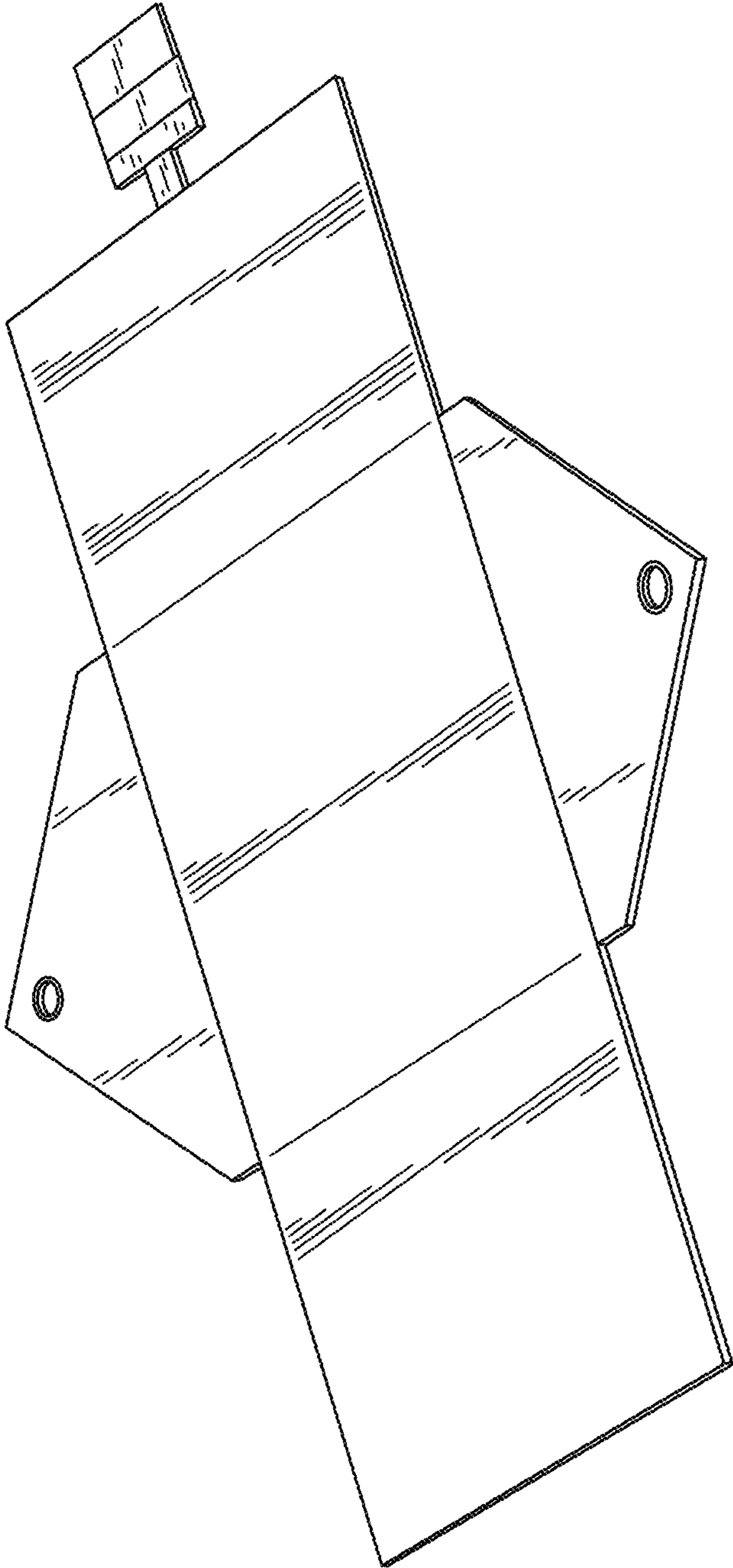


FIG.9

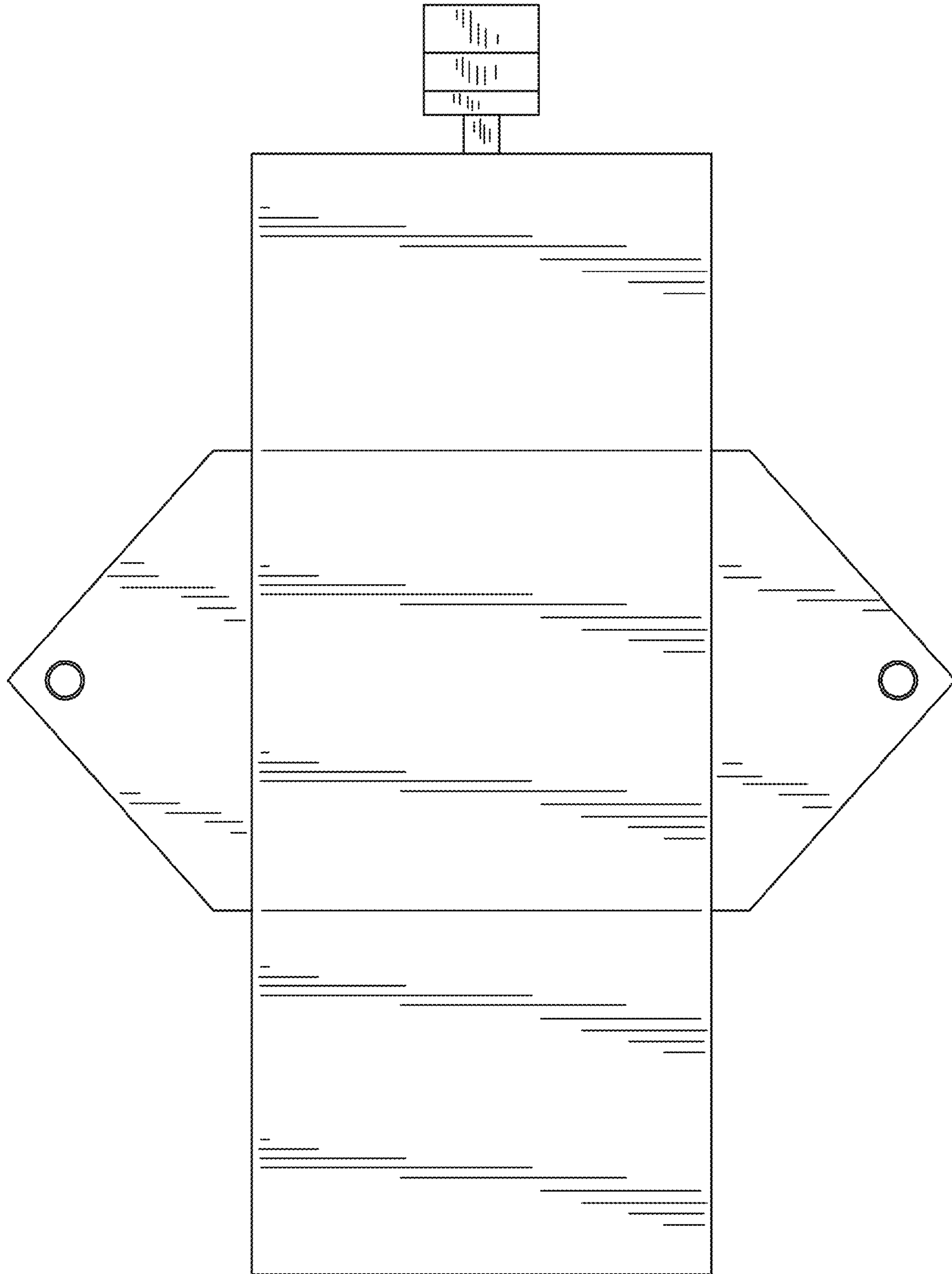


FIG. 10

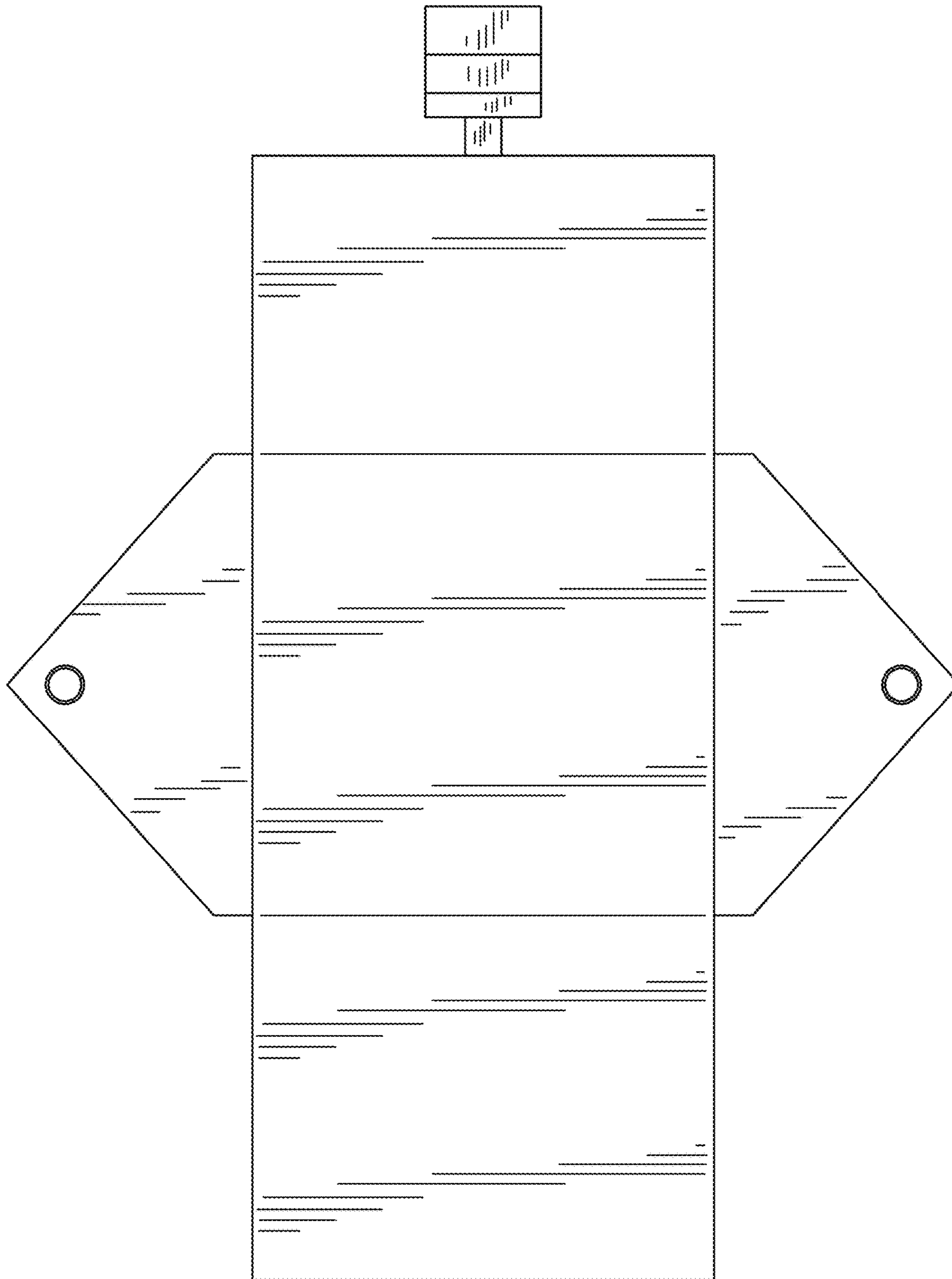


FIG. 11



FIG. 12



FIG. 13



FIG.14



FIG.15

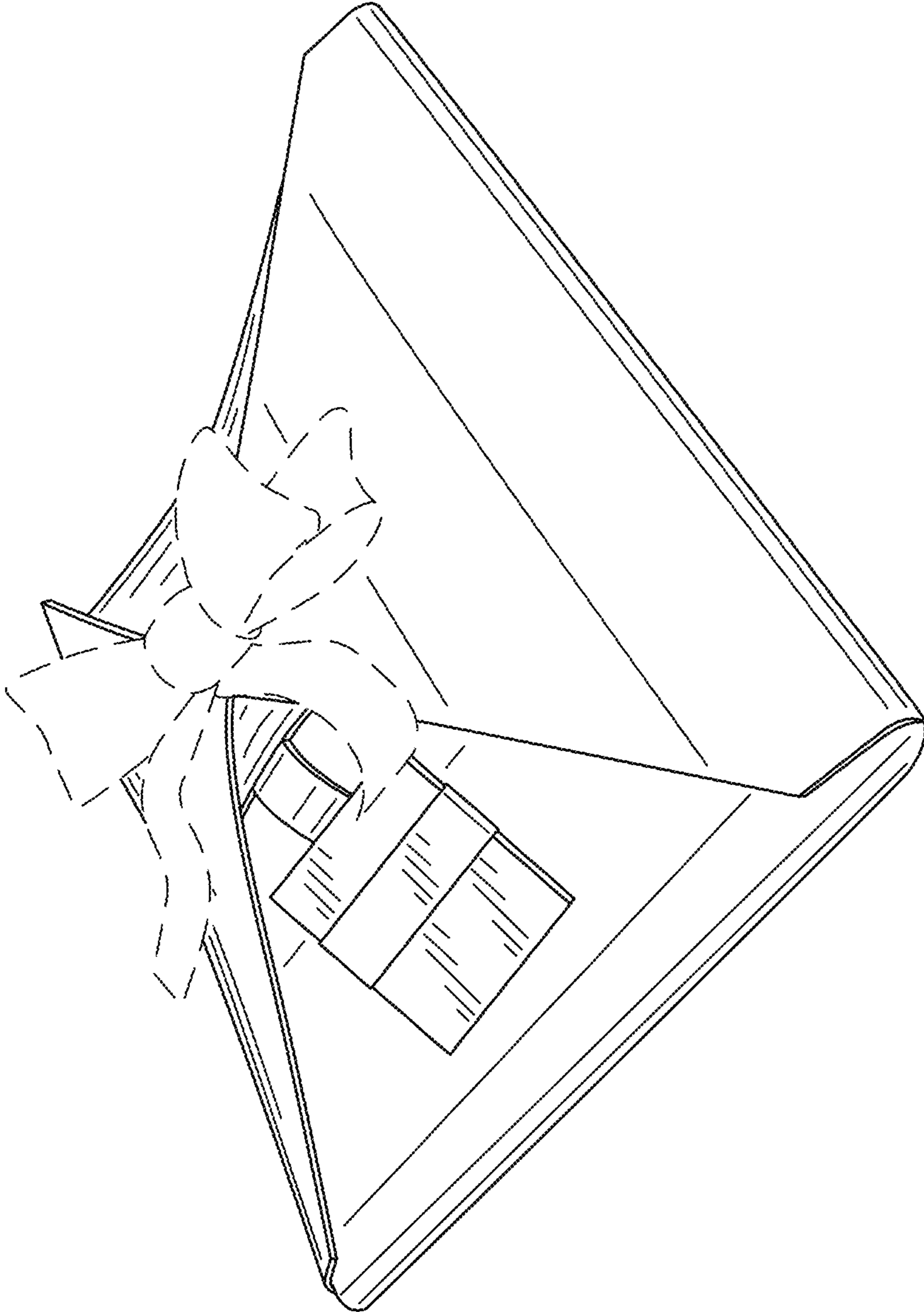


FIG.16