



US00D837063S

(12) **United States Design Patent**
Sanchez, Jr.

(10) **Patent No.:** **US D837,063 S**
(45) **Date of Patent:** **** Jan. 1, 2019**

- (54) **AUTOMOBILE SHAPED WATER BOTTLE**
- (71) Applicant: **Raul Sanchez, Jr.**, Fontana, CA (US)
- (72) Inventor: **Raul Sanchez, Jr.**, Fontana, CA (US)
- (**) Term: **15 Years**
- (21) Appl. No.: **29/625,146**
- (22) Filed: **Nov. 7, 2017**
- (51) **LOC (11) Cl.** **09-01**
- (52) **U.S. Cl.**
USPC **D9/675; D21/548**
- (58) **Field of Classification Search**
USPC D3/270, 271.1–271.4; D7/509–511,
D7/514–521, 529, 594, 599, 604, 613,
D7/619.2, 623, 628; D9/600, 672–676,
D9/500–505, 516, 520; 206/457, 459.5,
206/527; 215/381–384, 400; D12/86;
D21/548–550
CPC B65D 5/4258; B65D 81/60; B65D 81/365;
B65D 81/366; B65D 81/368; B65D
2203/00; B65D 2203/02; B65D 5/42;
B65D 77/00; A63H 33/16
See application file for complete search history.

(56) **References Cited**
U.S. PATENT DOCUMENTS

- D199,414 S * 10/1964 Douglas D9/675
- D349,632 S * 8/1994 Nicholson D21/549

- D393,021 S * 3/1998 Box D9/675
- D397,868 S * 9/1998 Huang D21/548
- D416,478 S * 11/1999 Craven D9/675
- D436,527 S * 1/2001 Bergersen D9/675
- D517,729 S * 3/2006 Angeletta D9/675
- D537,486 S * 2/2007 Yuen D21/548
- D538,176 S * 3/2007 Wilburn D9/675
- D559,108 S * 1/2008 Regas D9/675
- D578,040 S * 10/2008 Ward D12/86
- D591,611 S * 5/2009 Wilburn D9/675
- D623,397 S * 9/2010 Cooper D9/675
- D624,313 S * 9/2010 Mitchell D3/271.12
- D644,889 S * 9/2011 Holle D7/606

* cited by examiner

Primary Examiner — Sandra L Morris

(74) *Attorney, Agent, or Firm* — RG Patent Consulting, LLC; Rachel Gilboy

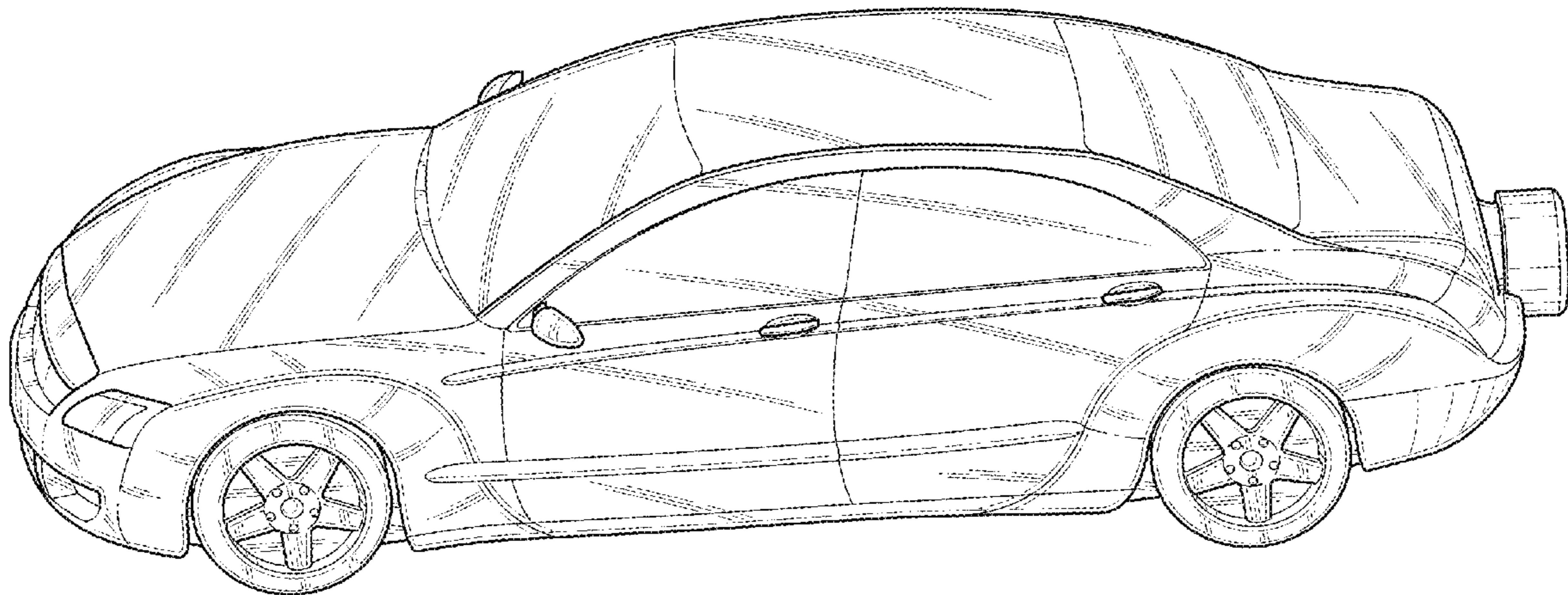
(57) **CLAIM**

The ornamental design for an automobile shaped water bottle, as shown and described.

DESCRIPTION

FIG. 1 is a perspective view of the automobile shaped water bottle showing my new design;
 FIG. 2 is a top plan view thereof;
 FIG. 3 is a bottom plan view thereof;
 FIG. 4 is a right elevation view thereof;
 FIG. 5 is a left elevation view thereof;
 FIG. 6 is a front elevation view thereof; and,
 FIG. 7 is a rear elevation view thereof.

1 Claim, 6 Drawing Sheets



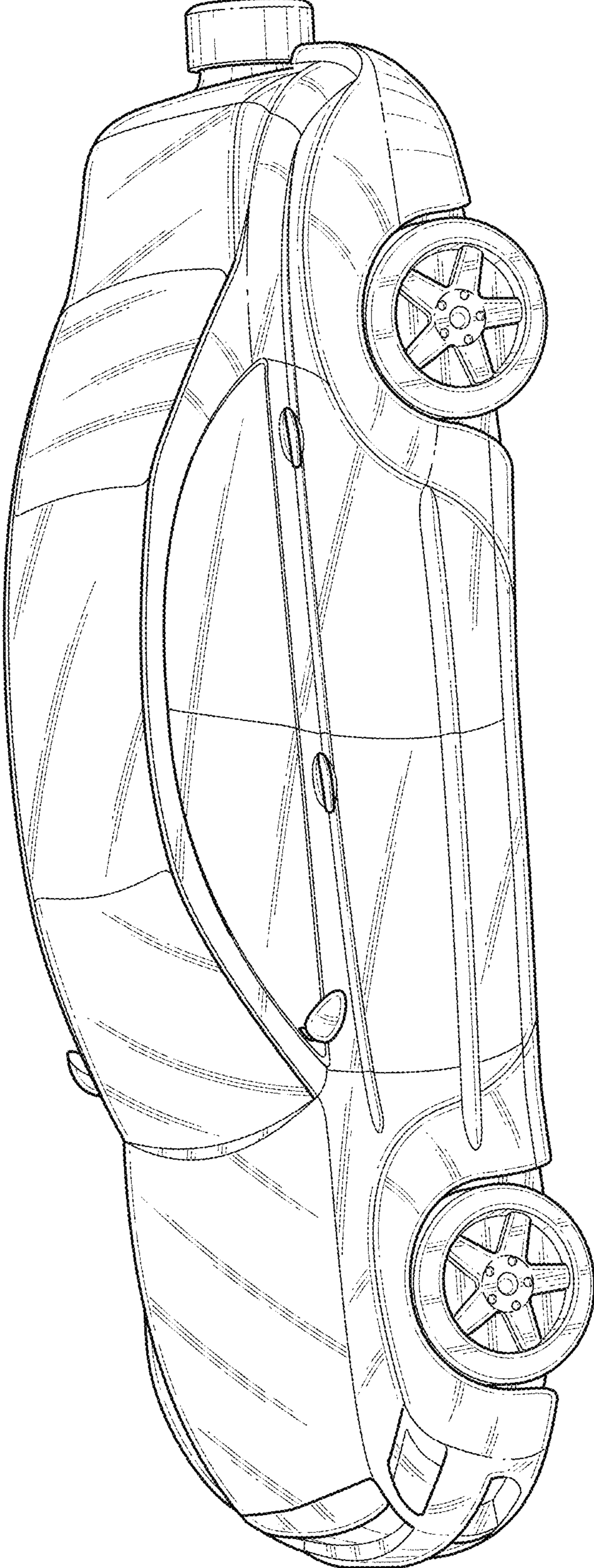


FIG. 1

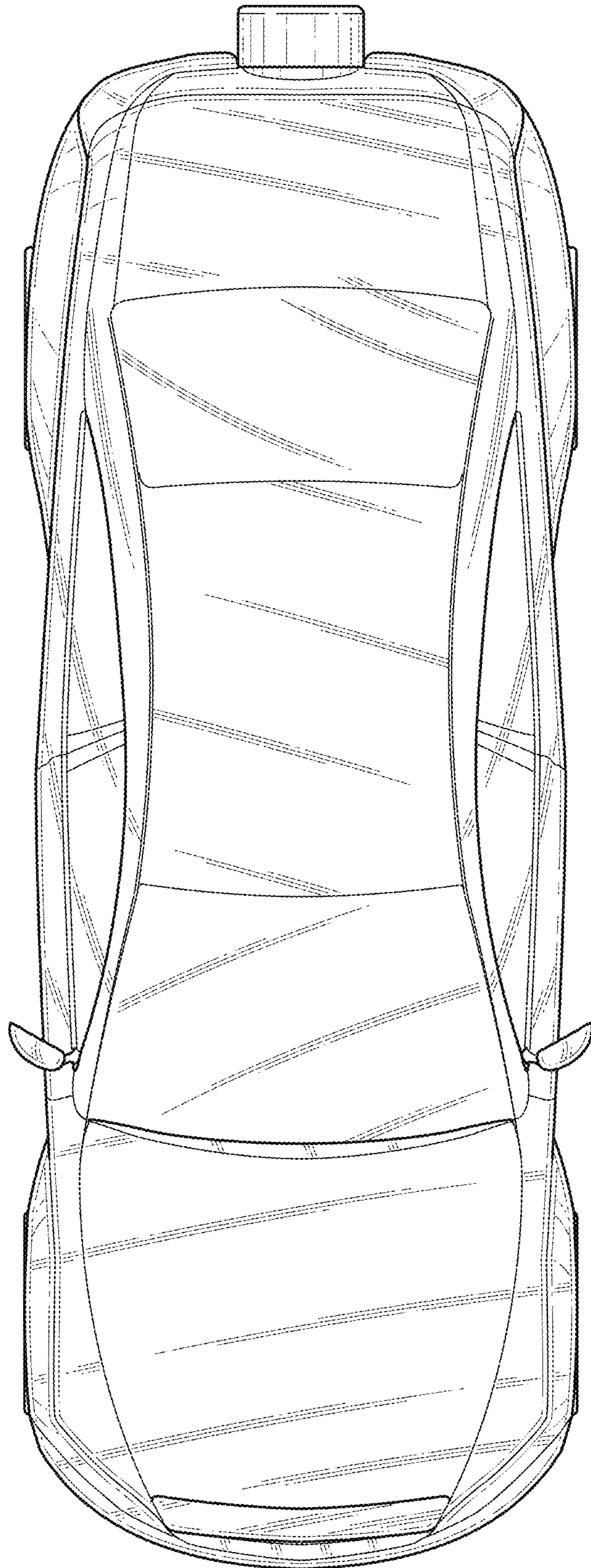


FIG. 2

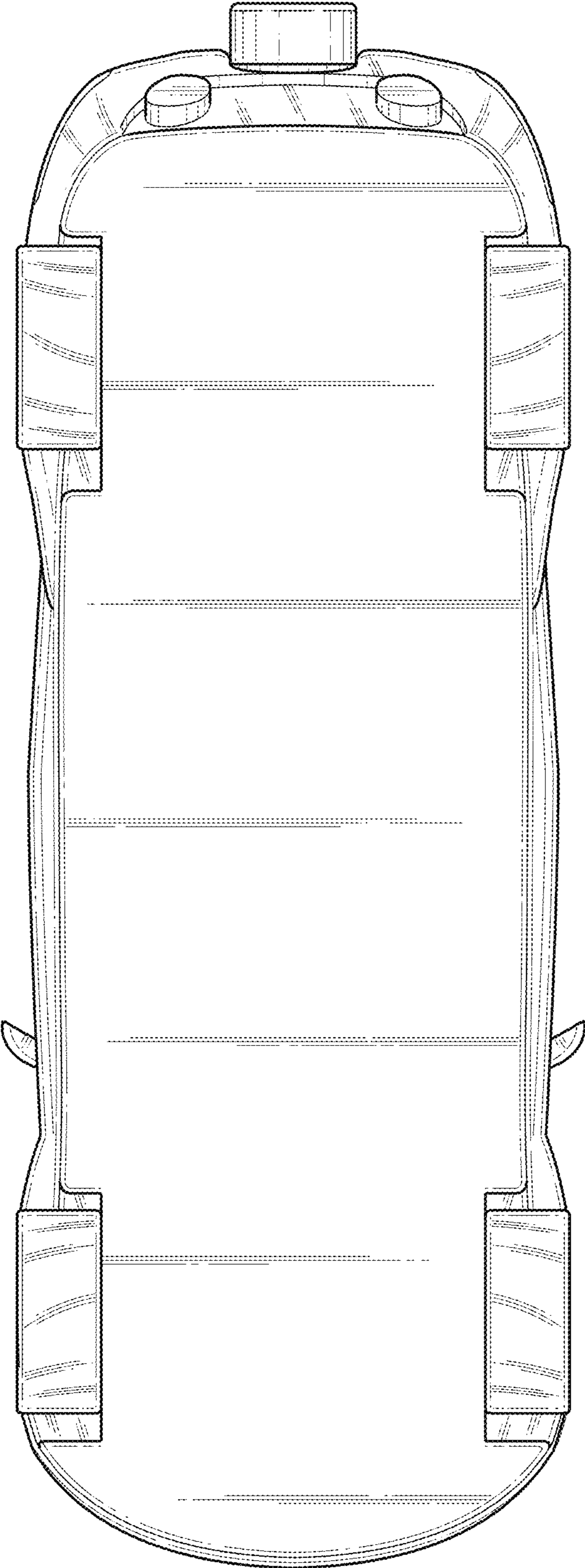


FIG. 3

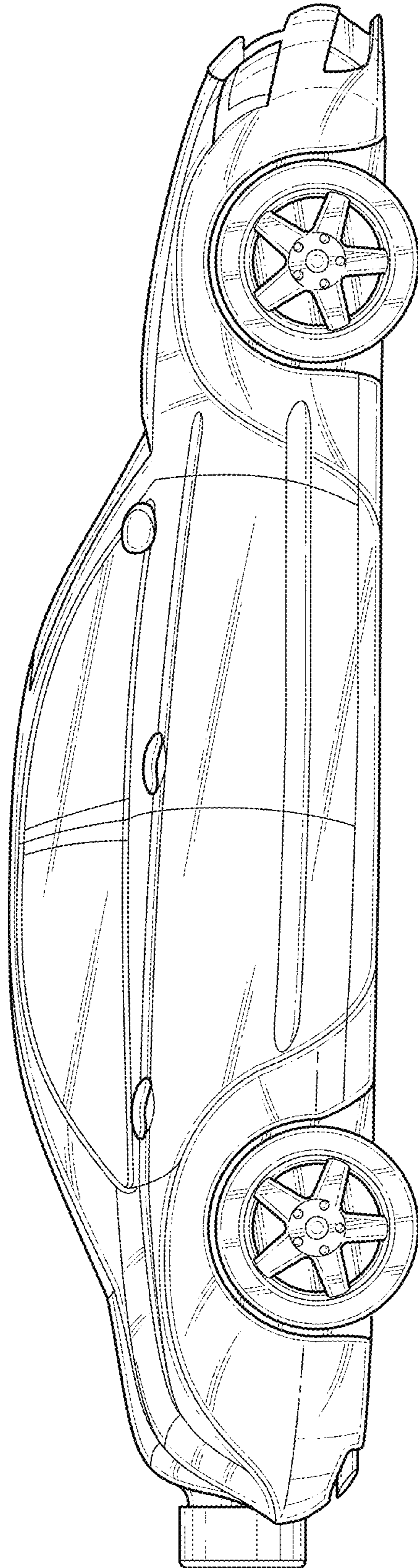


FIG. 4

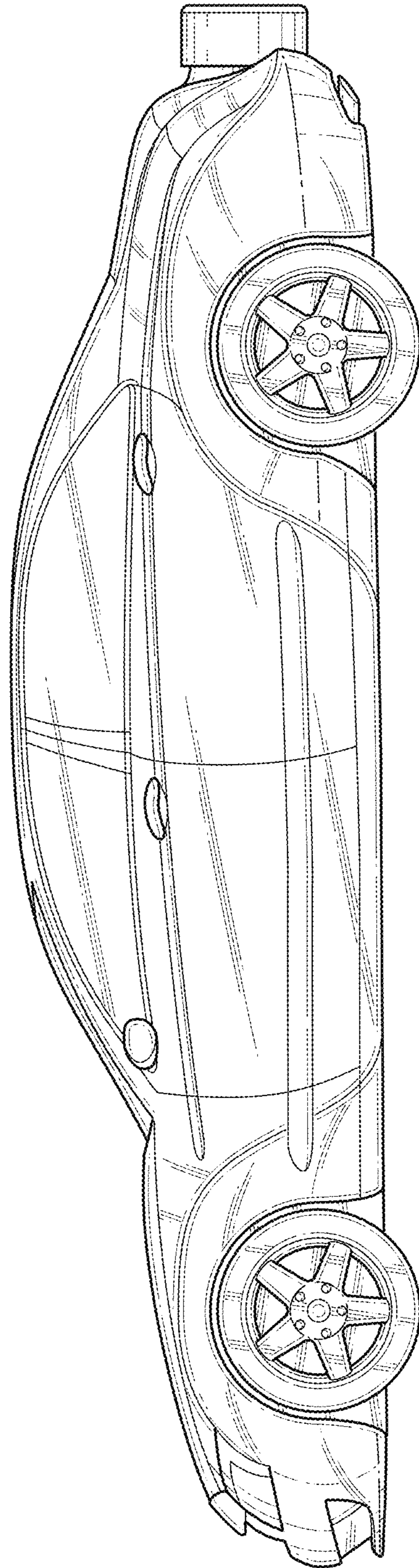


FIG.5

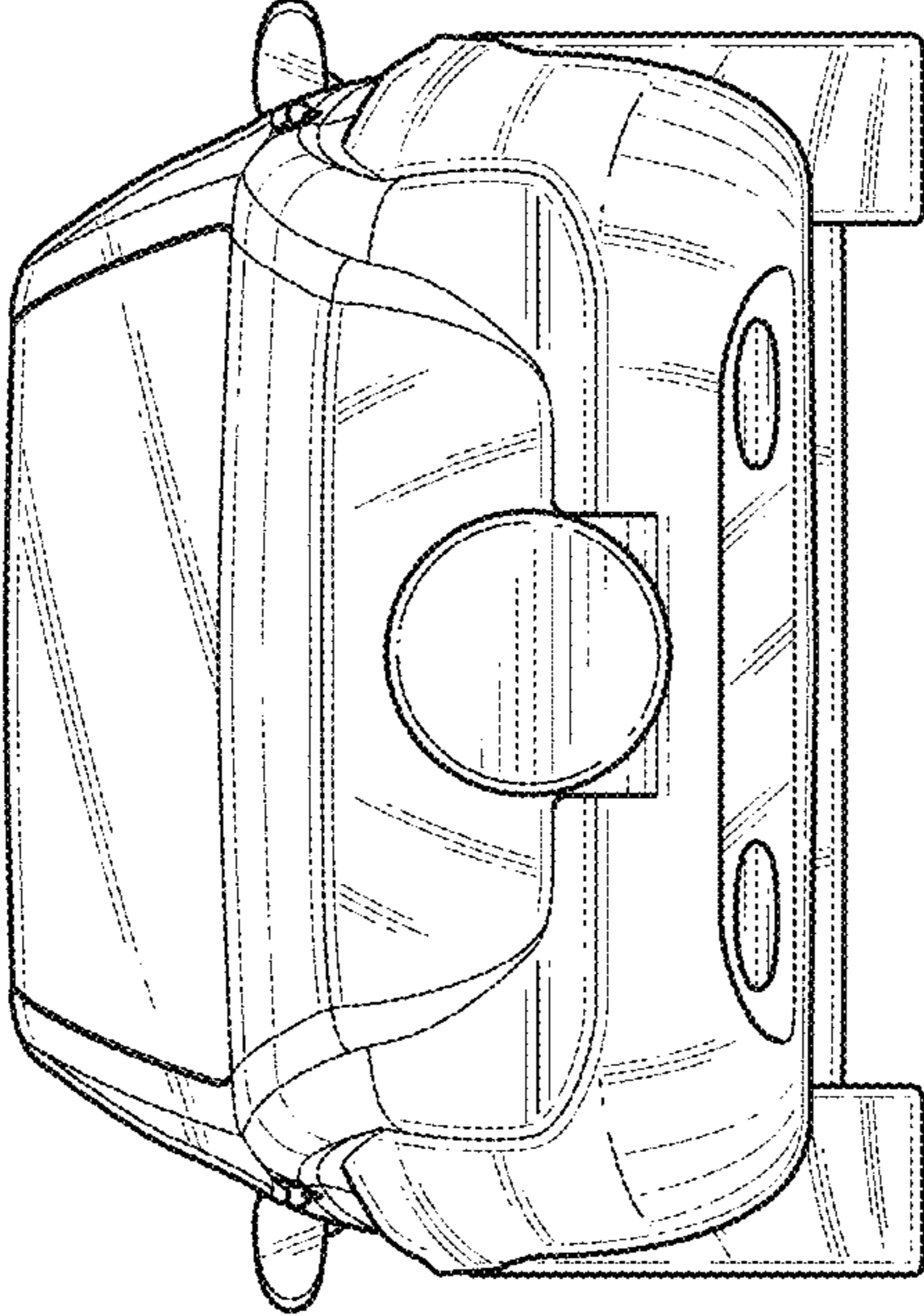


FIG. 7

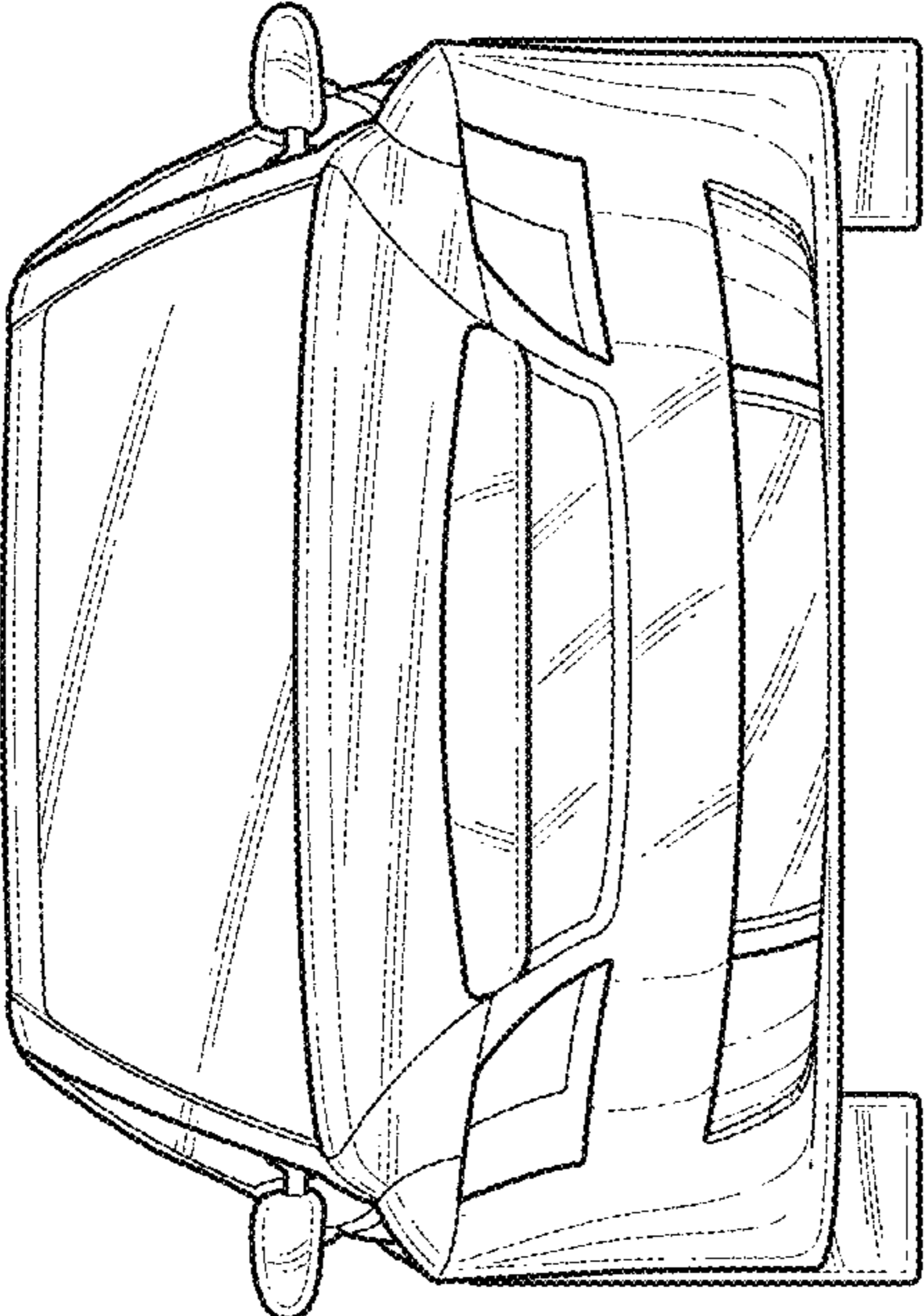


FIG. 6