

US00D837062S

(12) **United States Design Patent** (10) **Patent No.:** **US D837,062 S**
Senior (45) **Date of Patent:** **** Jan. 1, 2019**

(54) **RECYCLING CONTAINER**

- (71) Applicant: **RecycleBalls Inc.**, South Burlington, VT (US)
- (72) Inventor: **Derrick Senior**, Shelburne, VT (US)
- (73) Assignee: **RECYCLEBALLS INC.**, South Burlington, VT (US)
- (**) Term: **15 Years**
- (21) Appl. No.: **29/584,603**
- (22) Filed: **Nov. 16, 2016**
- (51) **LOC (11) Cl.** **09-01**
- (52) **U.S. Cl.**
USPC **D9/667; D9/432**
- (58) **Field of Classification Search**
USPC D9/414-419, 420-423, 424-429,
D9/430-434, 456, 457, 600, 667, 679,
D9/721-722, 732-734, 737, 756, 759,
D9/761; D3/272-274, 290, 304, 305,
D3/315; D20/10, 22, 27, 28, 40, 42
CPC B65D 5/00; B65D 5/0015; B65D 5/061;
B65D 5/18; B65D 5/20; B65D 5/32;
B65D 5/321; B65D 5/322
See application file for complete search history.

(56) **References Cited**

U.S. PATENT DOCUMENTS

D305,101 S *	12/1989	Winterling	D9/416
D328,375 S *	7/1992	Levine	D34/7
D379,759 S *	6/1997	Mulry	D9/416
D495,952 S *	9/2004	Miller	D9/418
D514,437 S *	2/2006	Kim	D9/416
D555,471 S *	11/2007	Lebras	D9/418
D585,619 S *	1/2009	Presnell	D34/11
D623,057 S *	9/2010	Kletz	D9/434
D683,903 S *	6/2013	DeMarco	D28/81
D757,539 S *	5/2016	Grennfelt	D9/434
D764,272 S *	8/2016	Hoglund	D9/420

OTHER PUBLICATIONS

The RecycleBalls Quickship Program. [online] Retrieved Mar. 6, 2018 from URL: <http://www.recycleballs.org/the-recycleballs-quickship-program>.*
 Recycle brown box long size packaging Royalty Free Vector. [online] Published on Feb. 8, 2014. Retrieved Mar. 6, 2018 from URL: <https://www.vectorstock.com/royalty-free-vector/recycle-brown-box-long-size-packaging-vector-885633>.*
 Recycle Box 44 gallon Box and Cans, Fibrex Group in Suffolk, VA. [online] Published on Mar. 31, 2015. Retrieved Mar. 6, 2018 from URL: <http://www.fibrexgroup.com/office-school-and-special-event-recycle-bins/recycle-boxes/recycle-box-44-gallon-bottles-and-cans>.*
 Frequently Asked Questions page from www.retourtennis.com/faq, Feb. 21, 2016, (2 pages), Reprinted from <https://web.archive.org/web/20160221000207/http://retourtennis.com/faqs>.

* cited by examiner

Primary Examiner — Vy N Koenig
 (74) *Attorney, Agent, or Firm* — McInnes & McLane, LLP

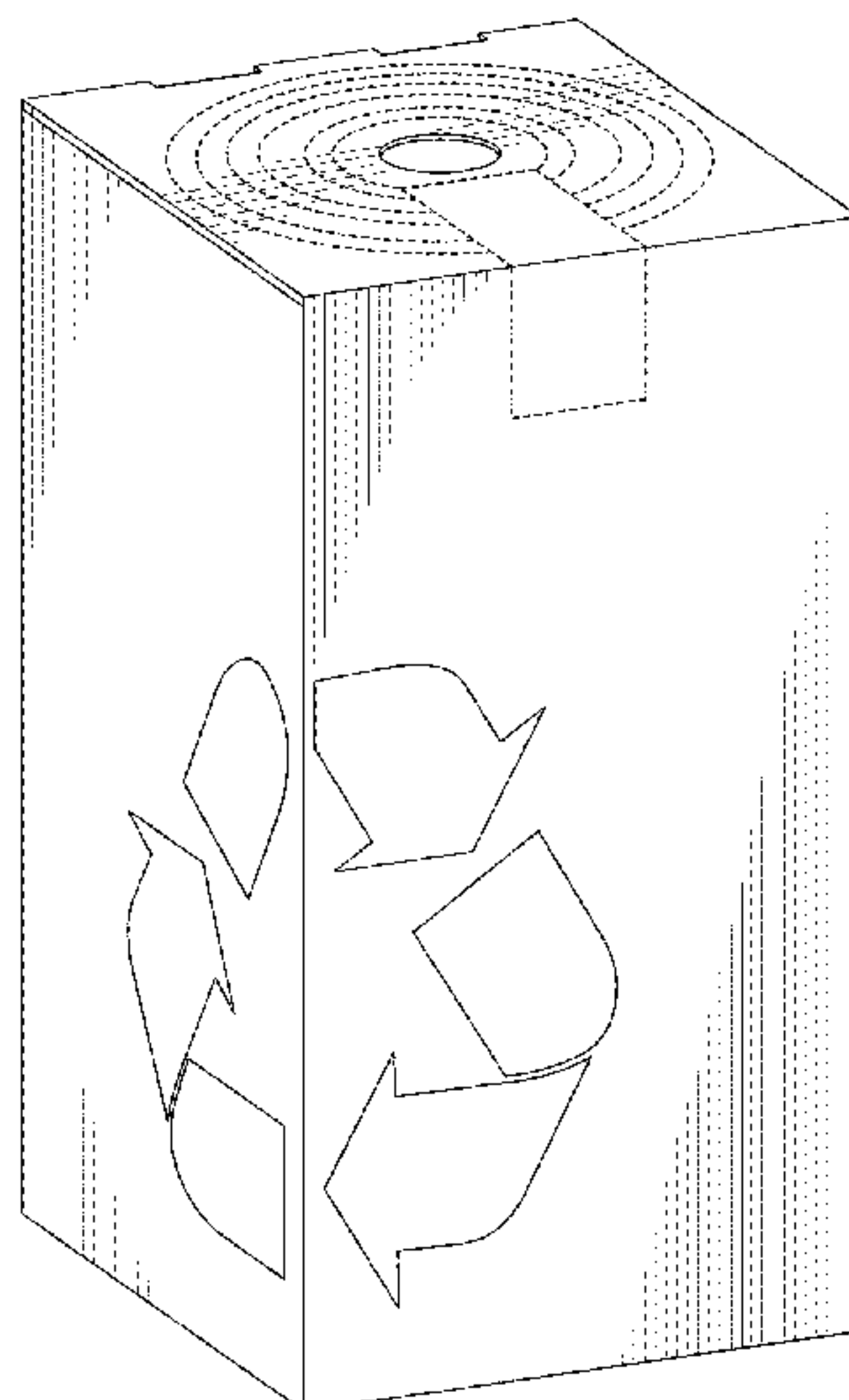
(57) **CLAIM**

The ornamental design for a recycling container, as shown and described.

DESCRIPTION

FIG. 1 is a front perspective view of a recycling container showing my new design;
 FIG. 2 is a rear perspective view thereof;
 FIG. 3 is a front elevational view thereof;
 FIG. 4 is a rear elevational view thereof;
 FIG. 5 is a left side elevational view thereof;
 FIG. 6 is a right side elevational view thereof;
 FIG. 7 is a top plan view thereof; and,
 FIG. 8 is a bottom plan view thereof.
 The broken lines in the drawings depict portions of the recycling container that form no part of the claimed design.

1 Claim, 7 Drawing Sheets



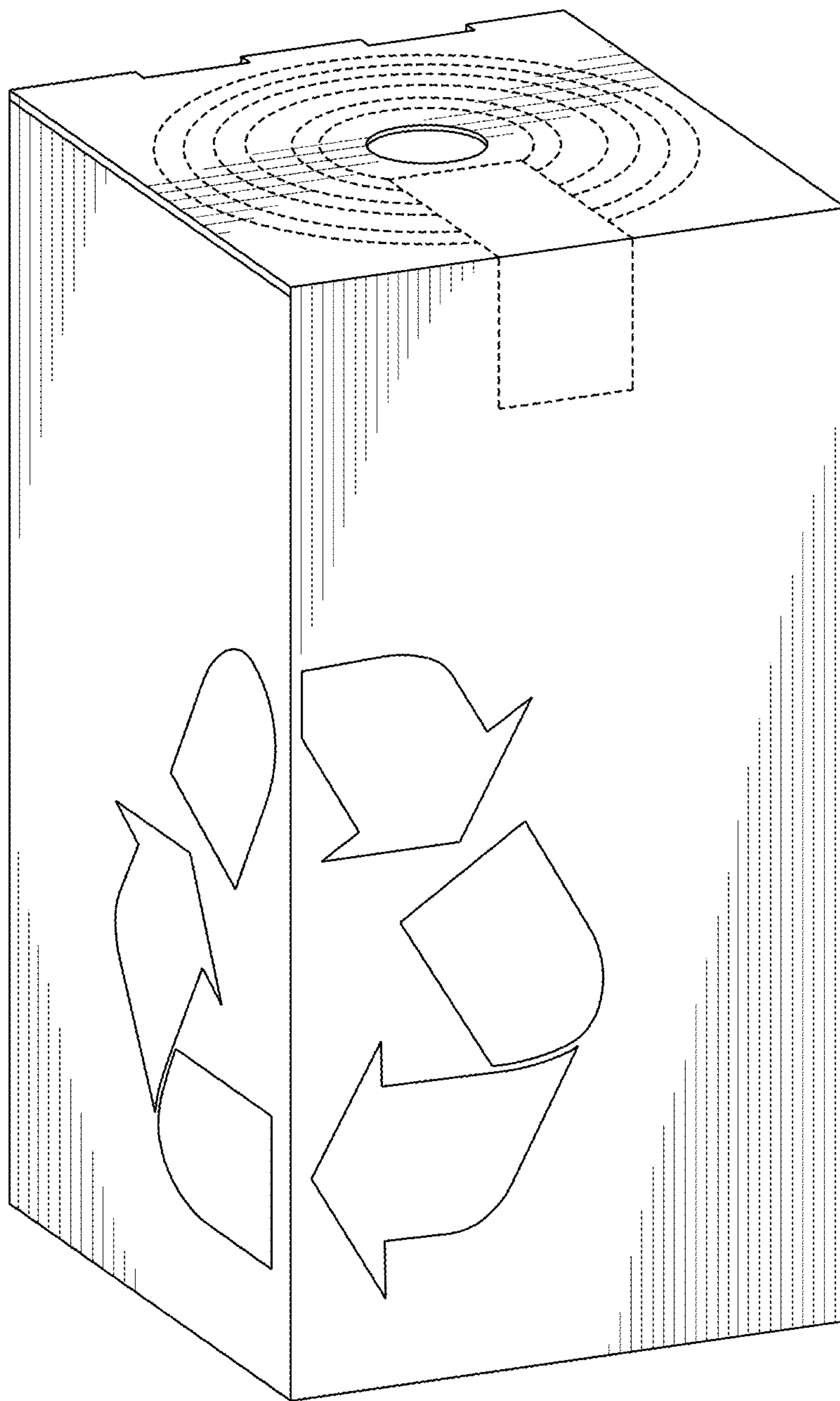


FIG. 1

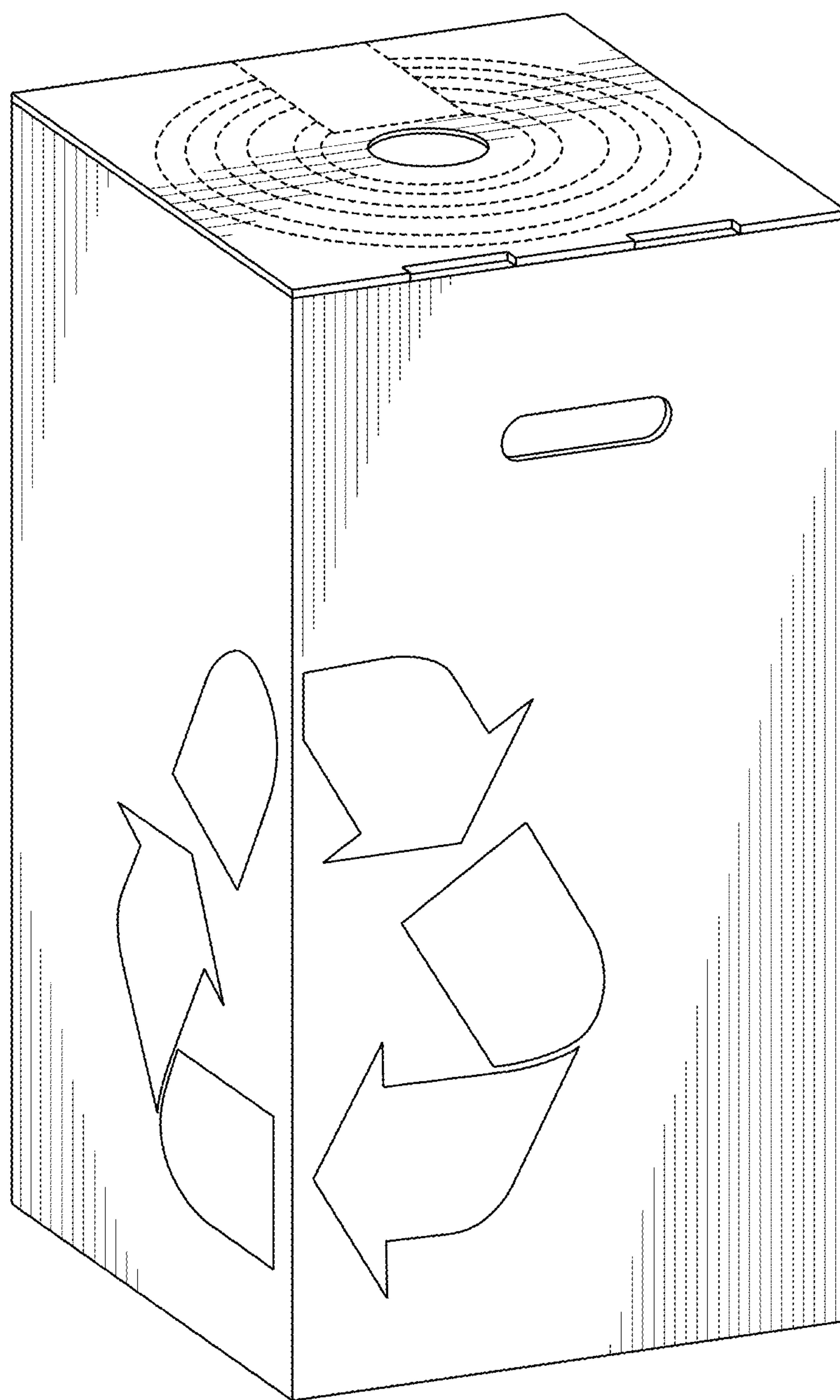


FIG. 2

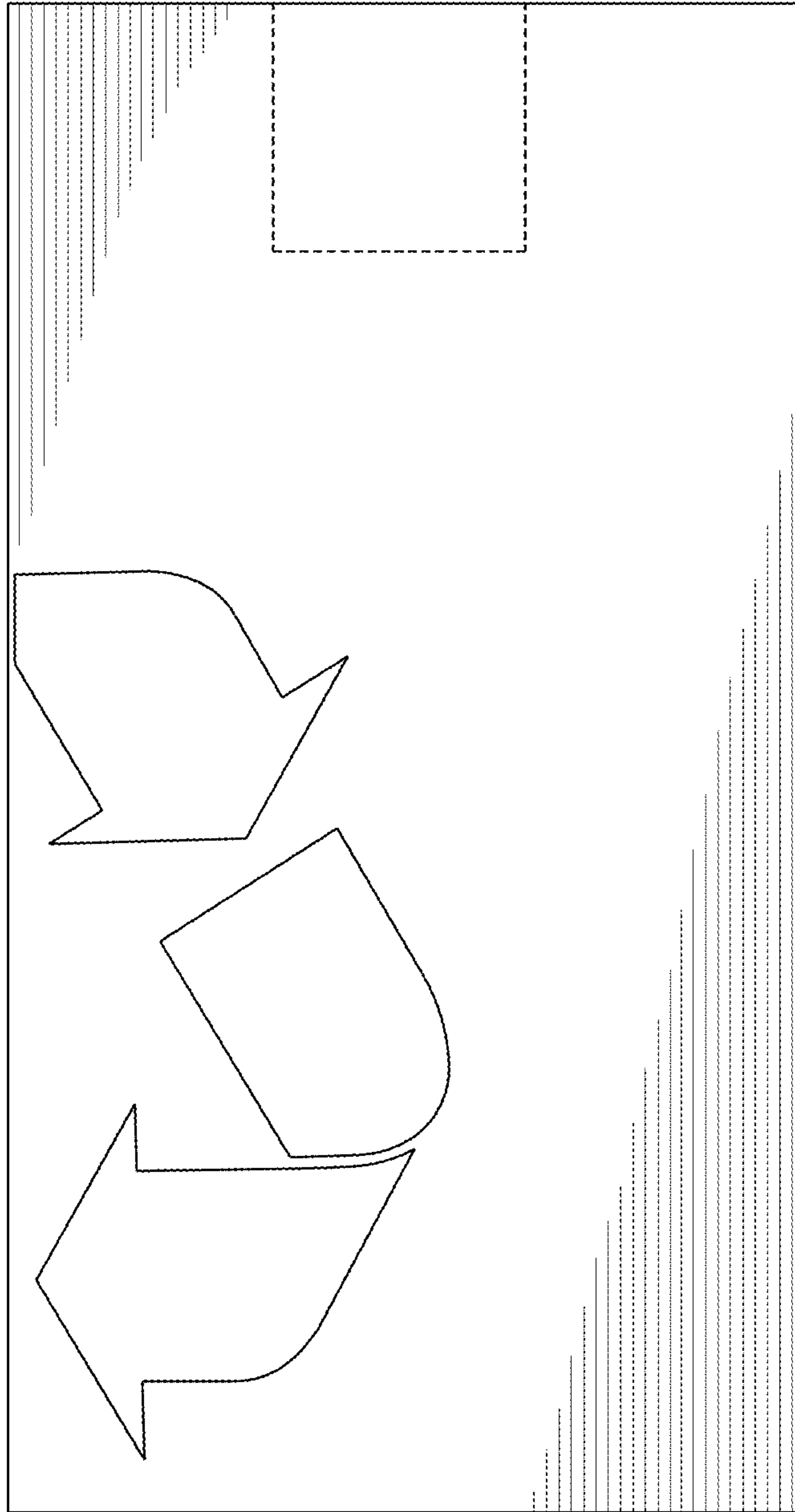


FIG. 3

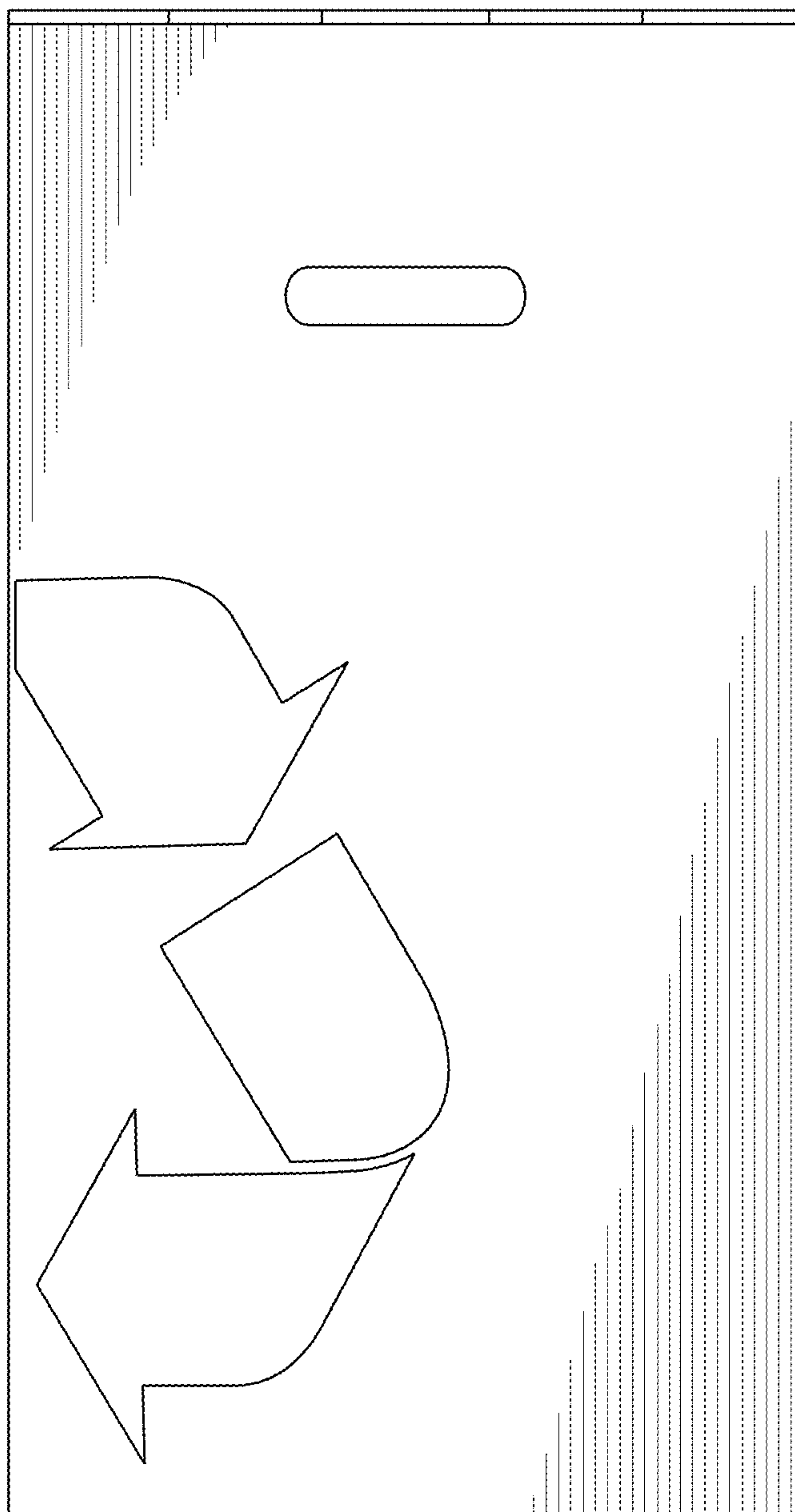


FIG. 4

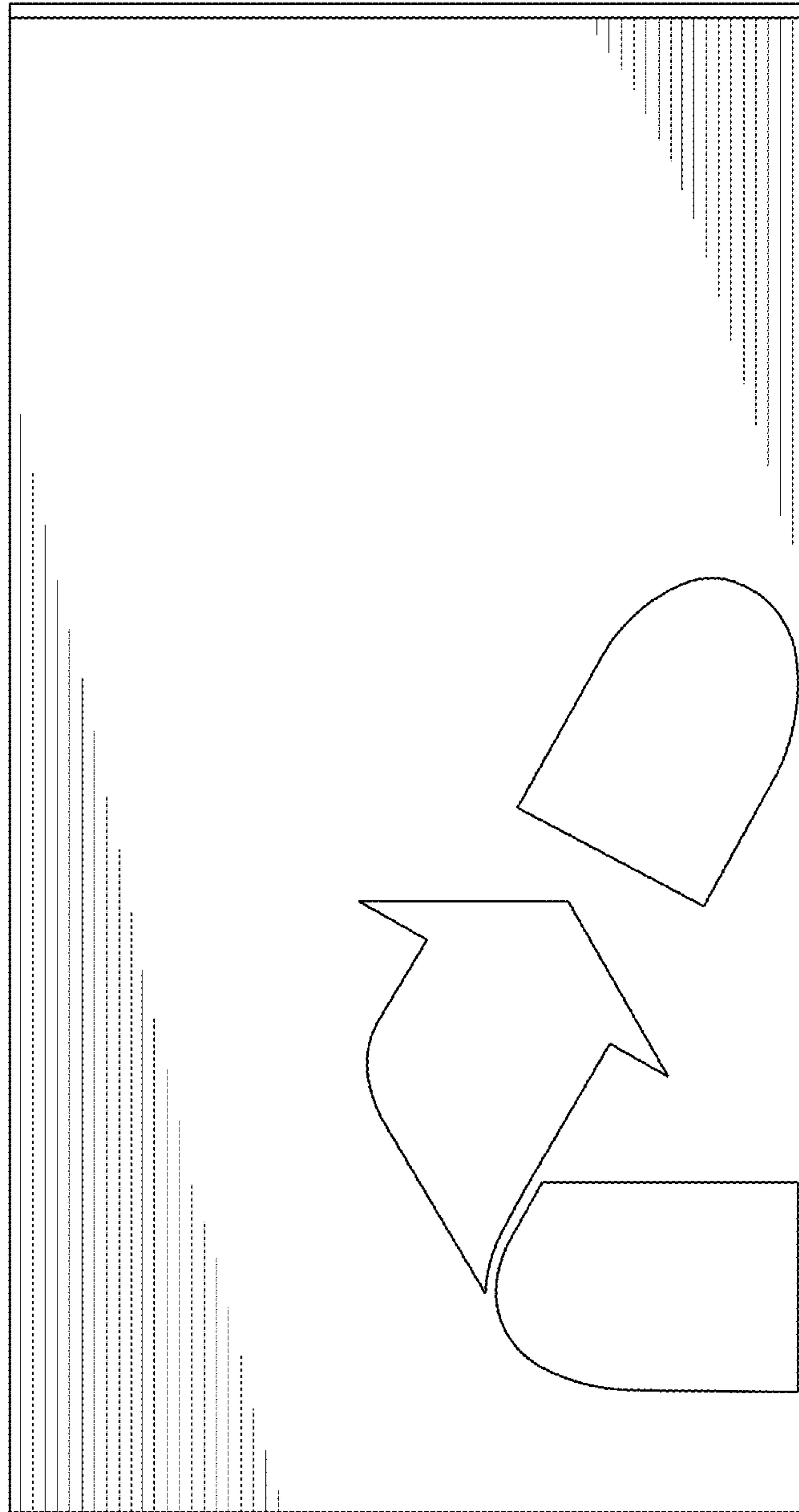


FIG. 5

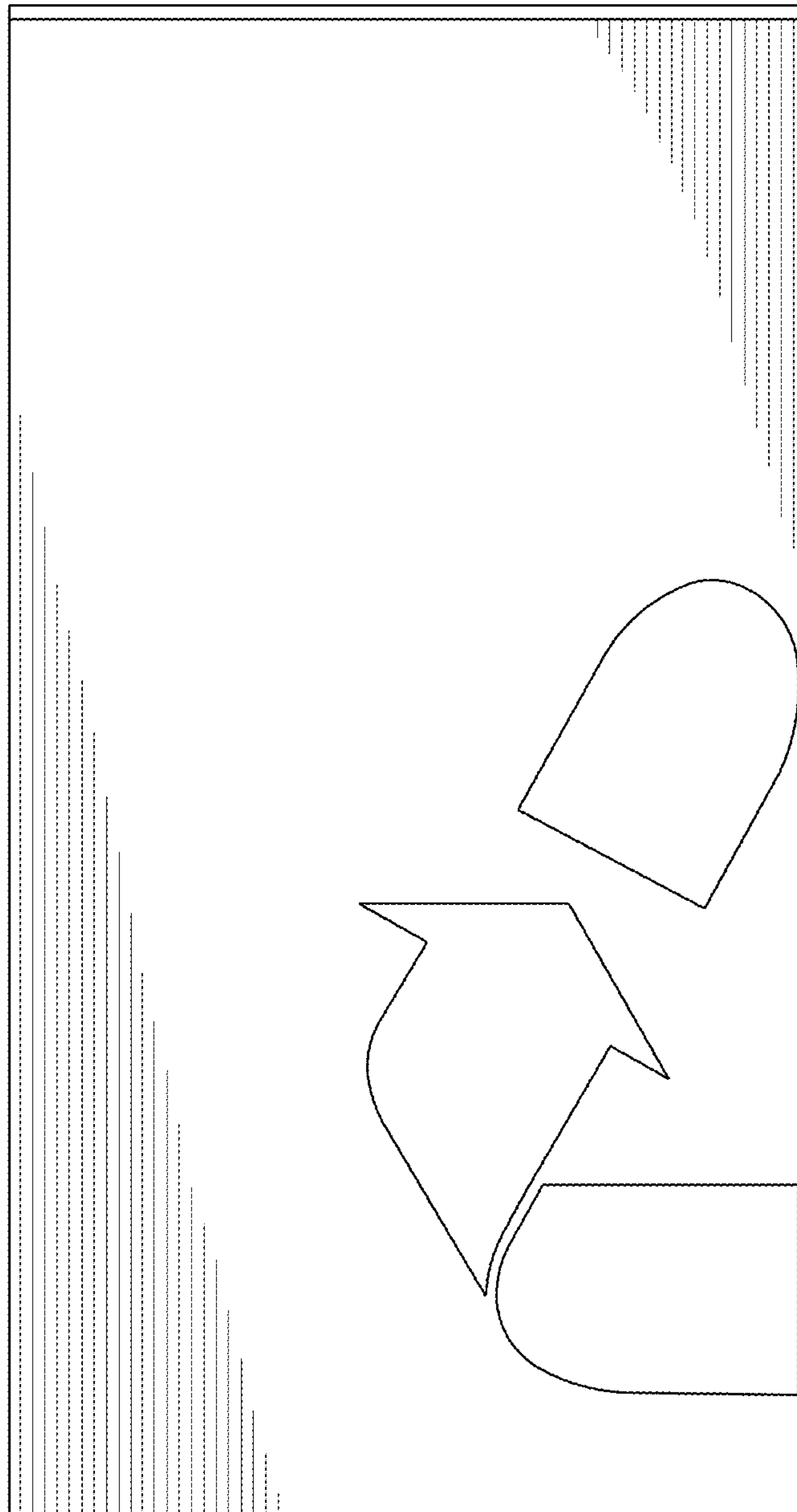


FIG. 6

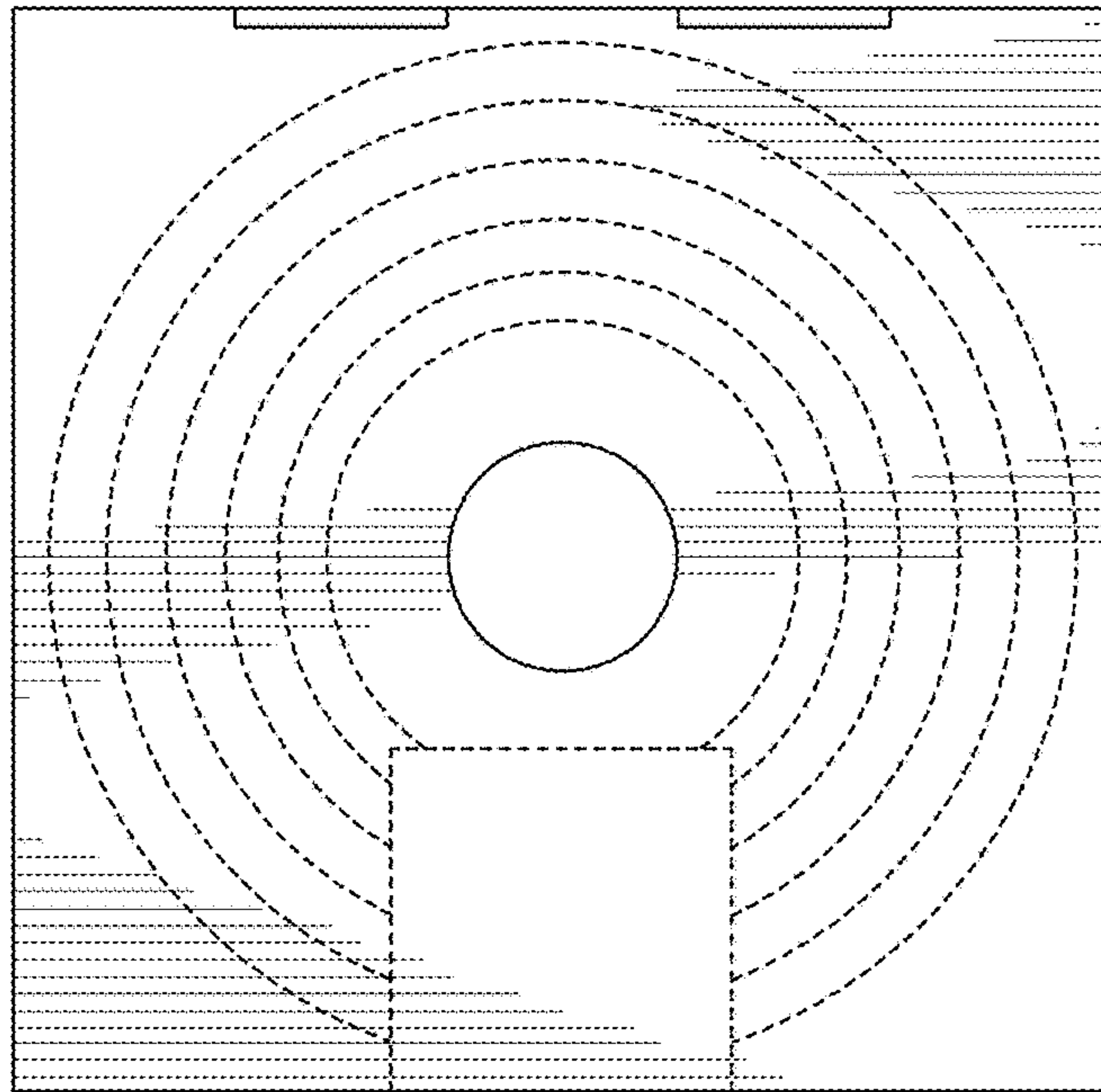


FIG. 7

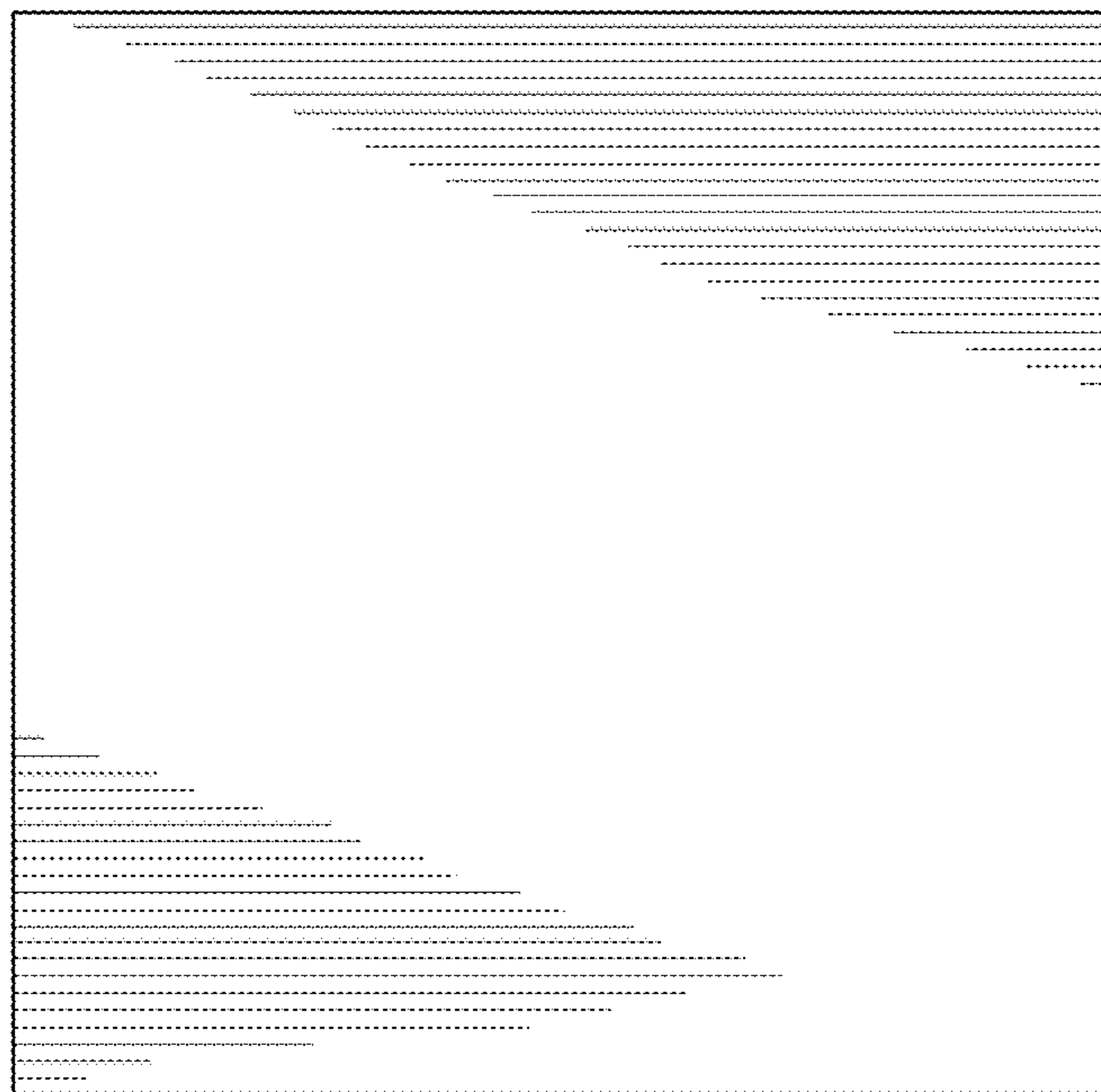


FIG. 8