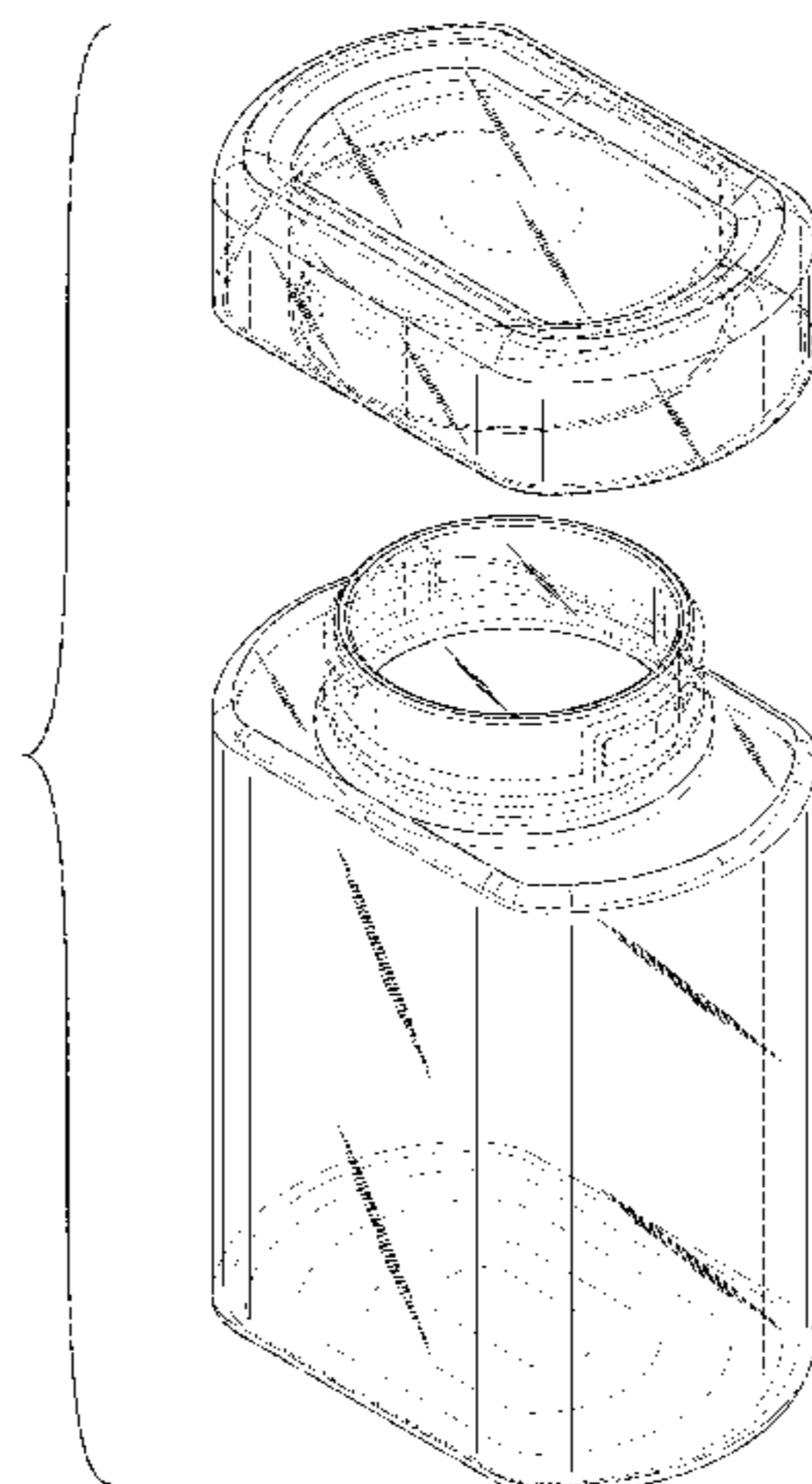




US00D837060S

(12) **United States Design Patent** (10) **Patent No.:** **US D837,060 S**
Riedel et al. (45) **Date of Patent:** **** *Jan. 1, 2019**

(54) CONTAINER WITH CAP	4,832,220 A *	5/1989	Quennessen	B65D 41/0471 215/331
(71) Applicant: TARGET BRANDS, INC., Minneapolis, MN (US)	D301,837 S *	6/1989	Peterson	D9/529
	D334,143 S	3/1993	Rothfos	
	D363,028 S *	10/1995	Mansau	D9/570
	5,699,925 A	12/1997	Petruzzi	
(72) Inventors: Richard P. Riedel , Blaine, MN (US); Timothy Martell , Minneapolis, MN (US); Michael M. Habig , Cincinnati, OH (US); Ryan P. McCoy , Falcon Heights, MN (US); Terrence J. Hornsby, Jr. , Minneapolis, MN (US)	D398,241 S	9/1998	Krebs	
	D484,797 S	1/2004	Kipperman et al.	
	D520,877 S	5/2006	Toth et al.	
	D521,380 S	5/2006	Jackson et al.	
	D523,344 S	6/2006	Toth et al.	
	D529,387 S	10/2006	Toth et al.	
	D537,724 S	3/2007	Toth et al.	
	D540,688 S	4/2007	Lascaux	
	D541,163 S	4/2007	Altonen et al.	
(73) Assignee: TARGET BRANDS, INC., Minneapolis, MN (US)	D551,970 S *	10/2007	Didier	D9/439
	D562,151 S	2/2008	Larocca et al.	
	D563,228 S	3/2008	Nottingham et al.	
(*) Notice: This patent is subject to a terminal dis- claimer.	D563,795 S	3/2008	Canamasas Puigbo	
	D568,739 S	5/2008	Darr	
	D577,292 S *	9/2008	Moretti	D9/560
	D577,600 S *	9/2008	Kim	D9/573
(**) Term: 15 Years	D579,784 S	11/2008	Varlet	
	D585,754 S *	2/2009	McGregor	D9/529
(21) Appl. No.: 29/589,929	D587,589 S	3/2009	Varlet	
	D598,296 S *	8/2009	Serrano Diaz	D9/574
(22) Filed: Jan. 5, 2017	D604,630 S	11/2009	Canamasas Puigbo	
(51) LOC (11) Cl.	D613,177 S	4/2010	Lee	
09-01	D621,224 S *	8/2010	Wang Chen	D7/613
(52) U.S. Cl.	D625,911 S *	10/2010	Lee	D3/203.2
USPC	D627,656 S *	11/2010	Wendt	D9/520
D9/574	D630,100 S	1/2011	Wanet	
(58) Field of Classification Search	D635,031 S	3/2011	Themann	
USPC	D639,667 S *	6/2011	Bogert	D9/439
D9/434-435, 439, 447, 449, 450, 452, D9/454, 516, 520, 522-524, 528-531, D9/541-544, 549-551, 558-560, 563, D9/565-566, 571-575, 682, 686, 687, D9/693-694, 715, 719; D7/300, 300.1, D7/316, 317, 598; D23/211, 225	D646,581 S *	10/2011	Baron	D9/435
CPC ... B65D 1/00; B65D 1/02; B65D 1/12; B65D 1/18; B65D 1/20; B65D 1/0223; B65D 23/00; B65D 21/0237; B65D 2501/0009; B65D 2501/0081	D664,849 S *	8/2012	Fracasso	D9/449
See application file for complete search history.	D677,572 S	3/2013	Papiernik	
	D684,824 S	6/2013	Sweet et al.	
	D704,245 S *	5/2014	Kim	D16/237
	D712,746 S	9/2014	Widdison	
	D732,394 S	6/2015	DeMarco et al.	
	D742,756 S	11/2015	DeVore et al.	
	D747,969 S	1/2016	Baron et al.	
	D756,234 S	5/2016	Orset	
	D757,560 S *	5/2016	Venturini Fendi	D9/435
	D764,928 S *	8/2016	Staab	D9/694
	D766,093 S	9/2016	Otani	
	D767,405 S	9/2016	Orset	
	9,511,890 B2	12/2016	Gill et al.	
	D788,593 S	6/2017	Dalton	
	2016/0083280 A1 *	3/2016	Sato	C03B 11/127 428/34.4
(56) References Cited				
U.S. PATENT DOCUMENTS				
D94,101 S	12/1934	Spence		
D203,360 S *	12/1965	Becker	D9/529	



OTHER PUBLICATIONS

A vintage fountain pen leaning against an open bottle of ink on a white background. Online, published date unknown. Retrieved on Nov. 14, 2017 from URL: <http://www.alamy.com/stock-photo-a-vintage-fountain-pen-leaning-against-an-open-bottle-of-ink-on-a-48134748.html?pv=1&stamp=2&imageid=F5B0091C-B9C1-40E3-9032-86C1477>.*

Sanford's Tug Boat Ink Bottle. Online, published date unknown. Retrieved on Nov. 14, 2017 from URL: <http://www.marthasvintageattic.com/ink-bottles-and-inkwells/sanfords-tug-boat-ink-bottle-vintage/>.*

U.S. Appl. No. 29/589,930, filed Jan. 5, 2017 (95 pages).

U.S. Appl. No. 29/589,931, filed Jan. 5, 2017 (58 pages).

U.S. Appl. No. 29/589,933, filed Jan. 5, 2017 (59 pages).

"Lock Ups", printed from www.containerstore.com/s/gift-packaging/containers/boxes/lock-ups/123d?productId=10028612, publicly available at least as early as Aug. 18, 2016 (4 pages).

Photographs of CVS Health Packaged Vitamins publicly available at least as early as Oct. 31, 2016 (1 page).

Sanford's Tug Boat Ink Bottle. Online, published date unknown. Retrieved Nov. 14, 2017 from URL: <http://www.marthasvintageattic.com/ink-bottles-and-inkwells/sanfords-tug-boat-ink-bottle-vintage/>.

* cited by examiner

Primary Examiner — Karen S Acker

Assistant Examiner — Omeed Agilee

(74) *Attorney, Agent, or Firm* — JoAnn M. Seaton;
Griffiths & Seaton PLLC

(57) CLAIM

The ornamental design for a container with cap, as shown and described.

DESCRIPTION

FIG. 1 is an exploded, top perspective view of a container with cap showing a first embodiment of our new design; FIG. 2 is an exploded, bottom perspective view thereof; FIG. 3 is a non-exploded, front view thereof, the rear view being a mirror image of the front view; FIG. 4 is a non-exploded, right side view thereof, the left side view being a mirror image of the right side view; FIG. 5 is a non-exploded, top view thereof; and FIG. 6 is a non-exploded, bottom view thereof
FIG. 7 is an exploded, top perspective view of a container with cap showing a second embodiment of our new design; FIG. 8 is an exploded, bottom perspective view thereof; FIG. 9 is a non-exploded, front view thereof, the rear view being a mirror image of the front view; FIG. 10 is a non-exploded, right side view thereof, the left side view being a mirror image of the right side view; FIG. 11 is a non-exploded, top view thereof; and FIG. 12 is a non-exploded, bottom view thereof.
FIG. 13 is an exploded, top perspective view of a container with cap showing a third embodiment of our new design; FIG. 14 is an exploded, bottom perspective view thereof; FIG. 15 is a non-exploded, front view thereof, the rear view being a mirror image of the front view; FIG. 16 is a non-exploded, right side view thereof, the left side view being a mirror image of the right side view;

FIG. 17 is a non-exploded, top view thereof; and

FIG. 18 is a non-exploded, bottom view thereof.

FIG. 19 is an exploded, top perspective view of a container with cap showing a fourth embodiment of our new design;

FIG. 20 is an exploded, bottom perspective view thereof;

FIG. 21 is a non-exploded, front view thereof, the rear view being a mirror image of the front view;

FIG. 22 is a non-exploded, right side view thereof, the left side view being a mirror image of the right side view;

FIG. 23 is a non-exploded, top view thereof; and

FIG. 24 is a non-exploded, bottom view thereof.

FIG. 25 is an exploded, top perspective view of a container with cap showing a fifth embodiment of our new design;

FIG. 26 is an exploded, bottom perspective view thereof;

FIG. 27 is a non-exploded, front view thereof, the rear view being a mirror image of the front view;

FIG. 28 is a non-exploded, right side view thereof, the left side view being a mirror image of the right side view;

FIG. 29 is a non-exploded, top view thereof; and

FIG. 30 is a non-exploded, bottom view thereof.

FIG. 31 is an exploded, top perspective view of a container with cap showing a sixth embodiment of our new design;

FIG. 32 is an exploded, bottom perspective view thereof;

FIG. 33 is a non-exploded, front view thereof, the rear view being a mirror image of the front view;

FIG. 34 is a non-exploded, right side view thereof, the left side view being a mirror image of the right side view;

FIG. 35 is a non-exploded, top view thereof; and

FIG. 36 is a non-exploded, bottom view thereof.

FIG. 37 is an exploded, top perspective view of a container with cap showing a seventh embodiment of our new design;

FIG. 38 is an exploded, bottom perspective view thereof;

FIG. 39 is a non-exploded, front view thereof, the rear view being a mirror image of the front view;

FIG. 40 is a non-exploded, right side view thereof, the left side view being a mirror image of the right side view;

FIG. 41 is a non-exploded, top view thereof; and

FIG. 42 is a non-exploded, bottom view thereof.

FIG. 43 is an exploded, top perspective view of a container with cap showing an eighth embodiment of our new design;

FIG. 44 is an exploded, bottom perspective view thereof;

FIG. 45 is a non-exploded, front view thereof, the rear view being a mirror image of the front view;

FIG. 46 is a non-exploded, right side view thereof, the left side view being a mirror image of the right side view;

FIG. 47 is a non-exploded, top view thereof; and

FIG. 48 is a non-exploded, bottom view thereof.

FIG. 49 is an exploded, top perspective view of a container with cap showing a ninth embodiment of our new design;

FIG. 50 is an exploded, bottom perspective view thereof;

FIG. 51 is a non-exploded, front view thereof, the rear view being a mirror image of the front view;

FIG. 52 is a non-exploded, right side view thereof, the left side view being a mirror image of the right side view;

FIG. 53 is a non-exploded, top view thereof; and,

FIG. 54 is a non-exploded, bottom view thereof.

The evenly spaced broken lines and the areas within them depict portions of the container with cap that form no part of the claimed design. The long dash-short dash broken lines depict the boundaries of the claim and form no part thereof.

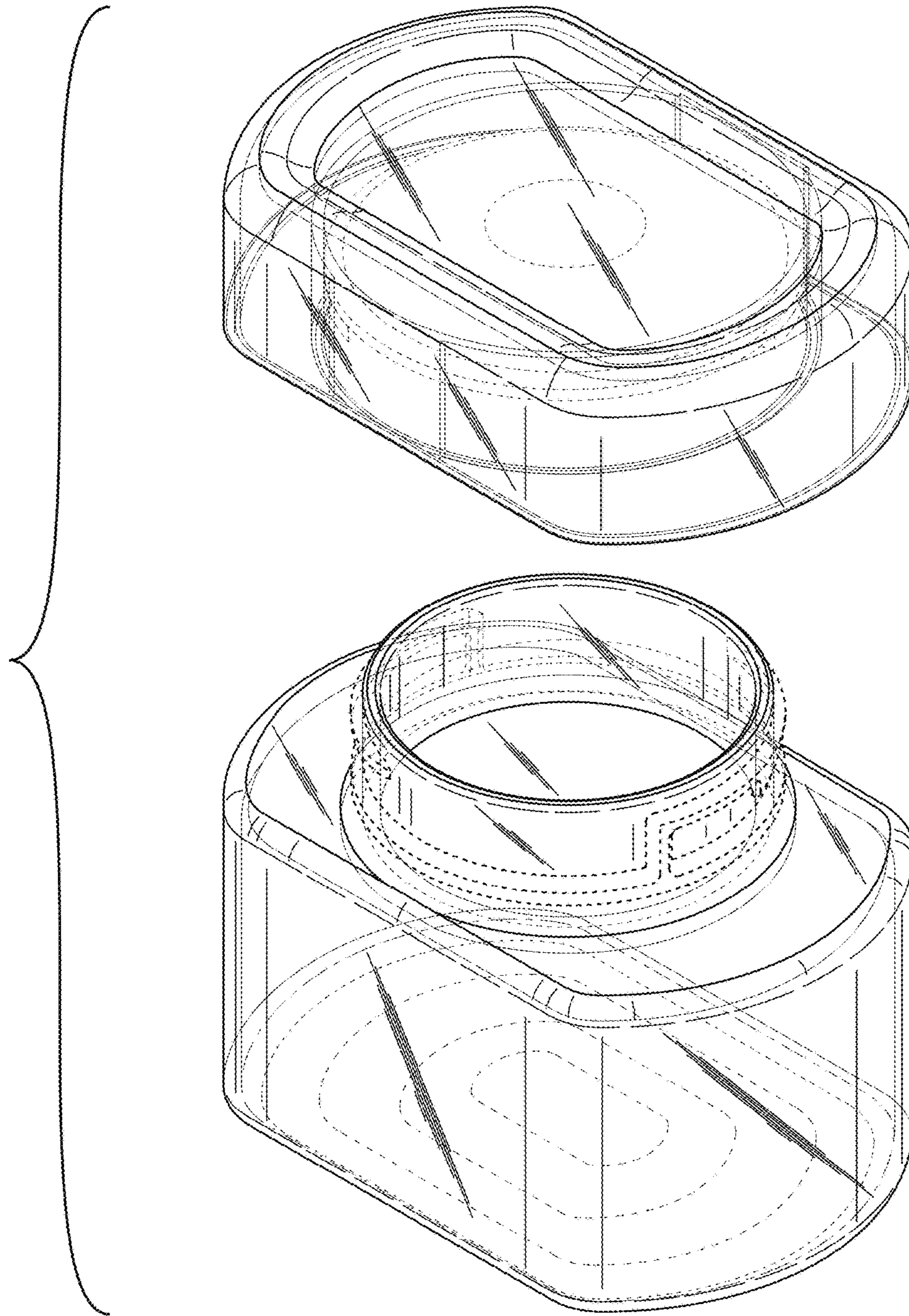


FIG. 1

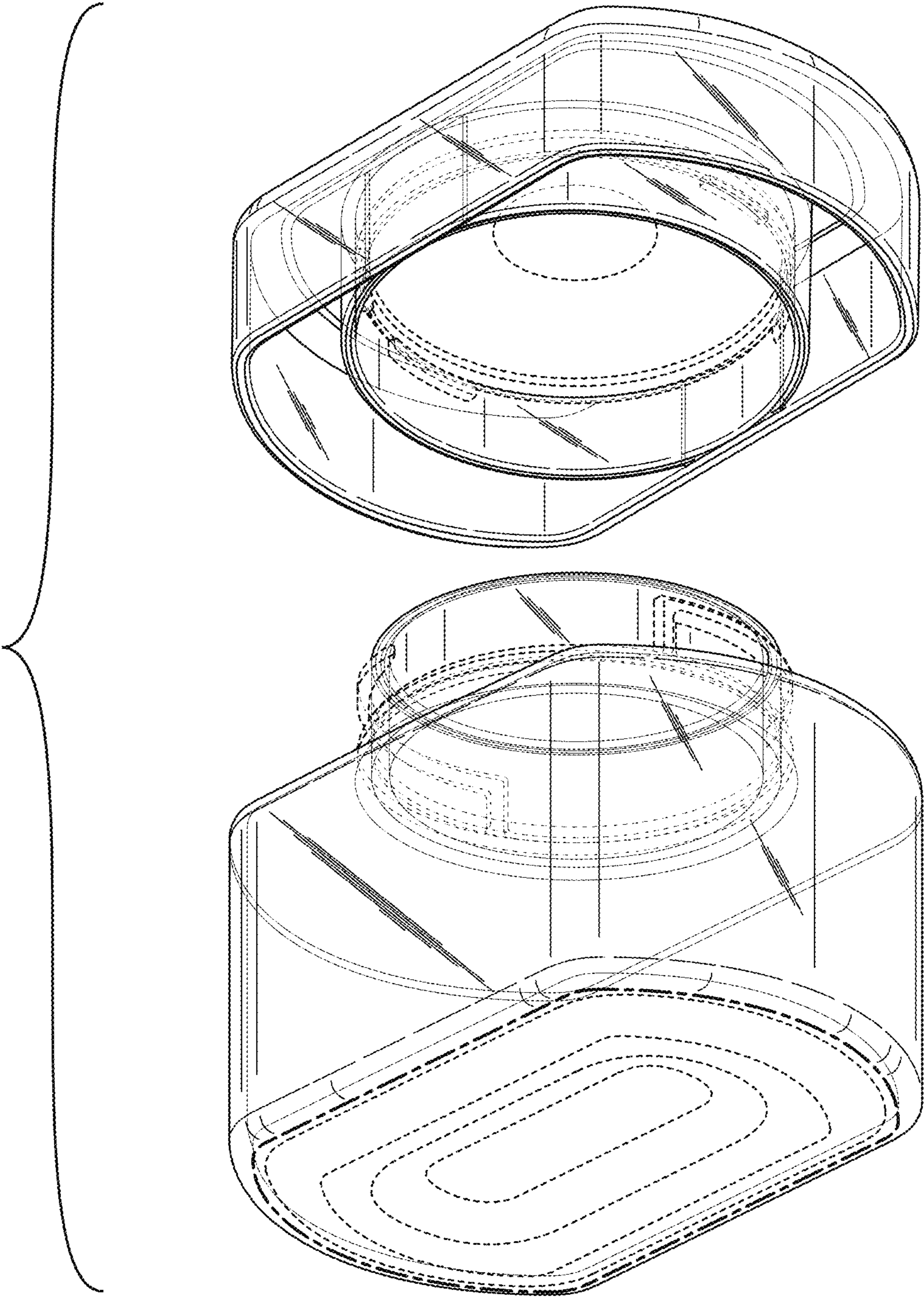


FIG. 2

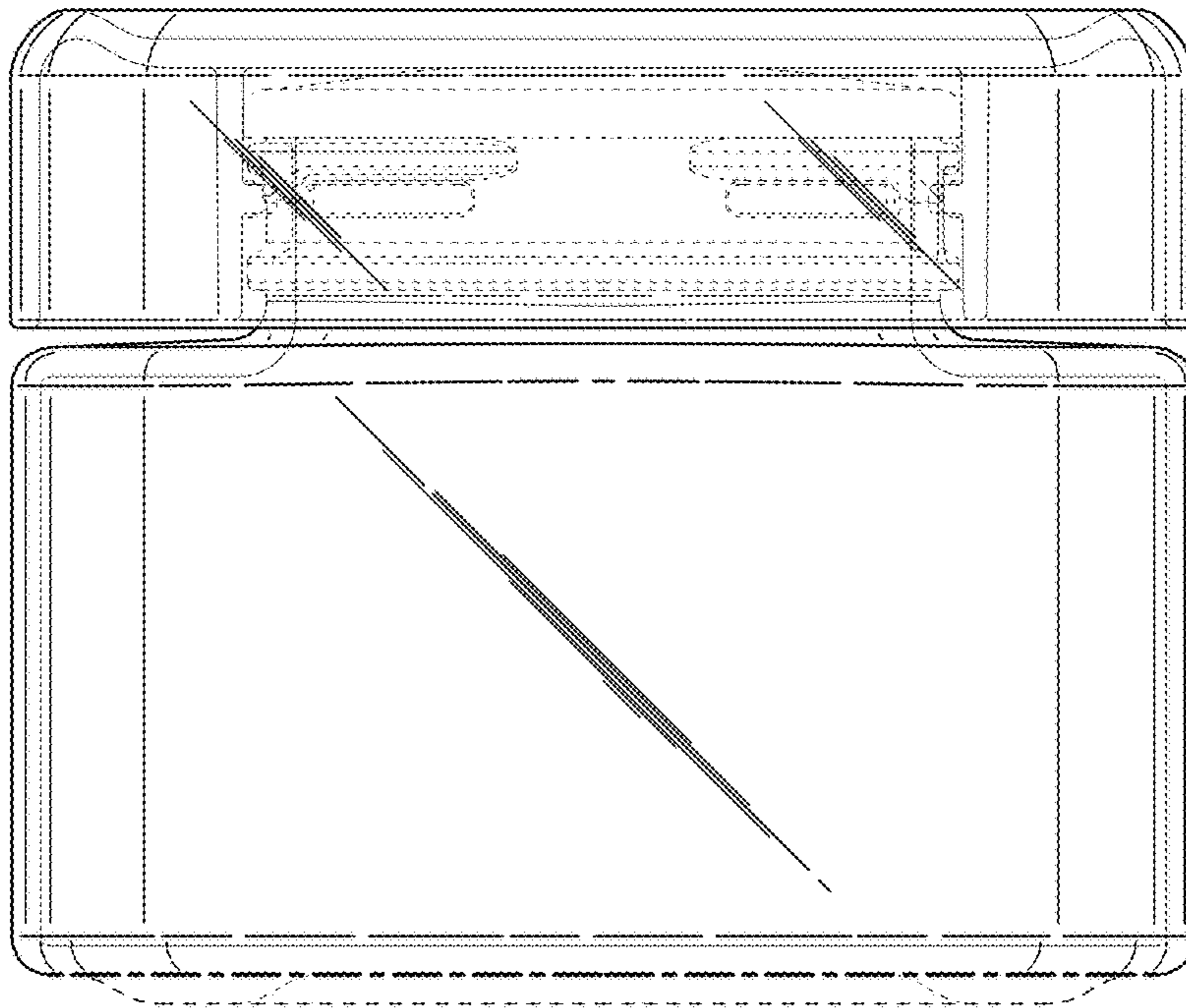


FIG. 3

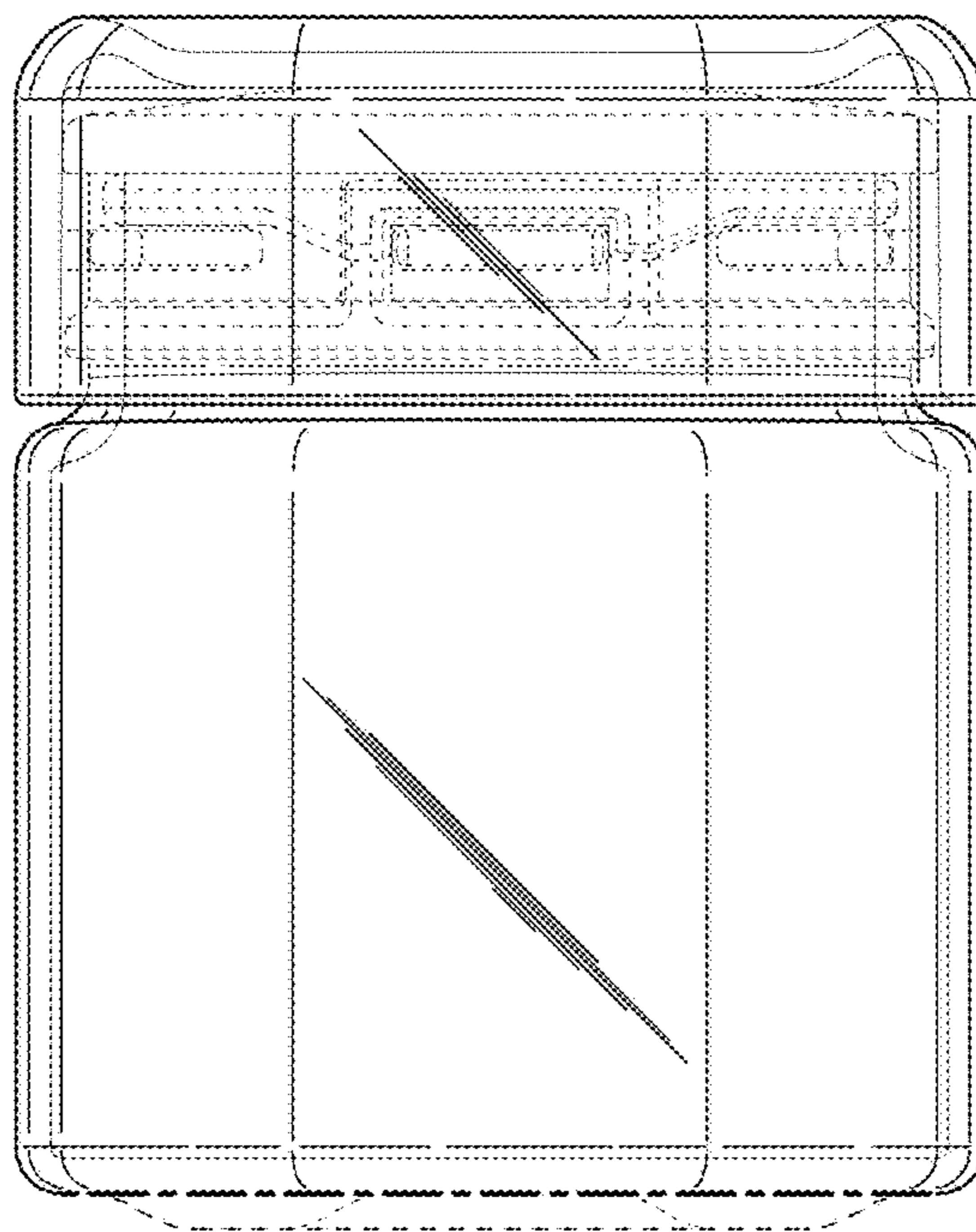


FIG. 4

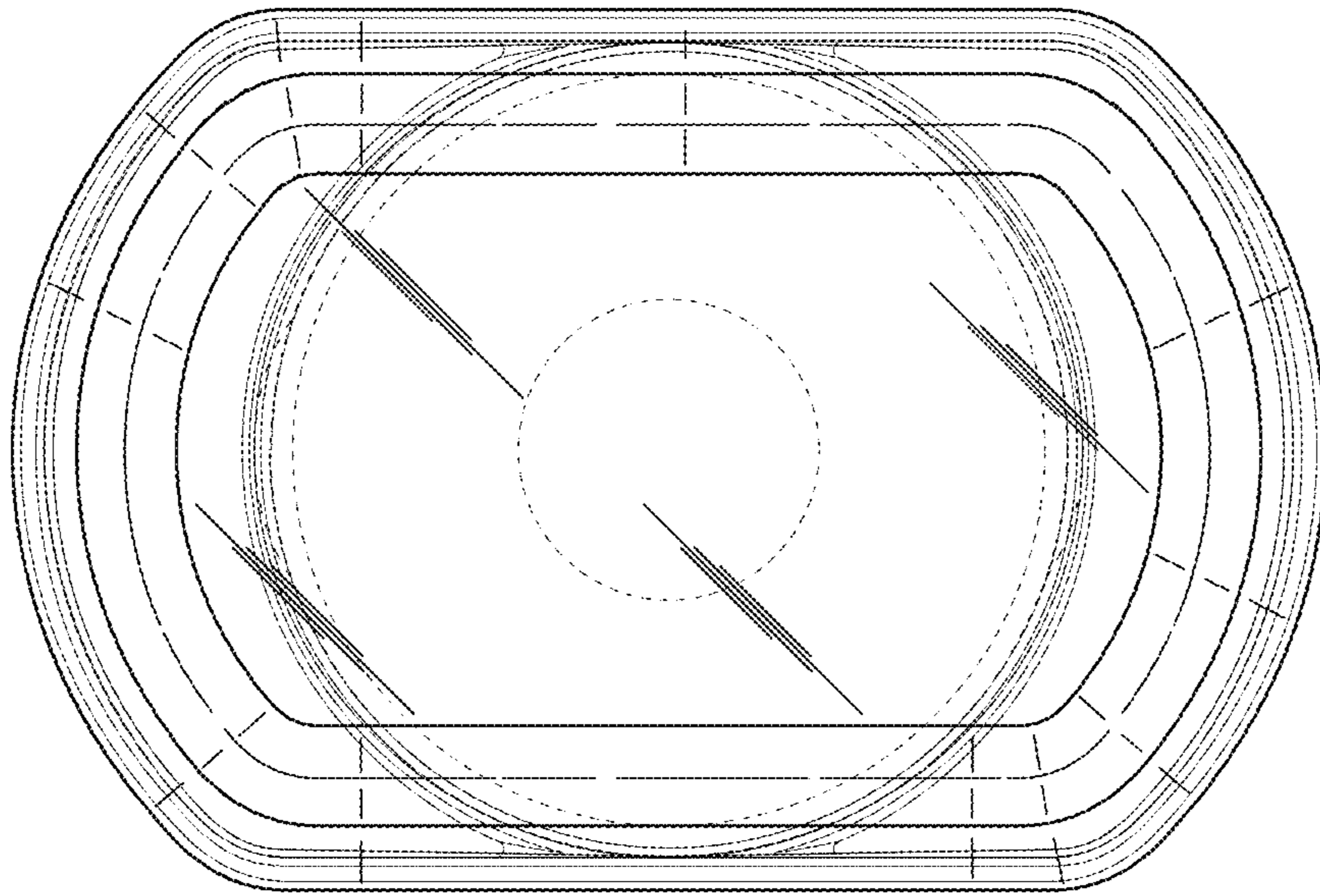


FIG. 5

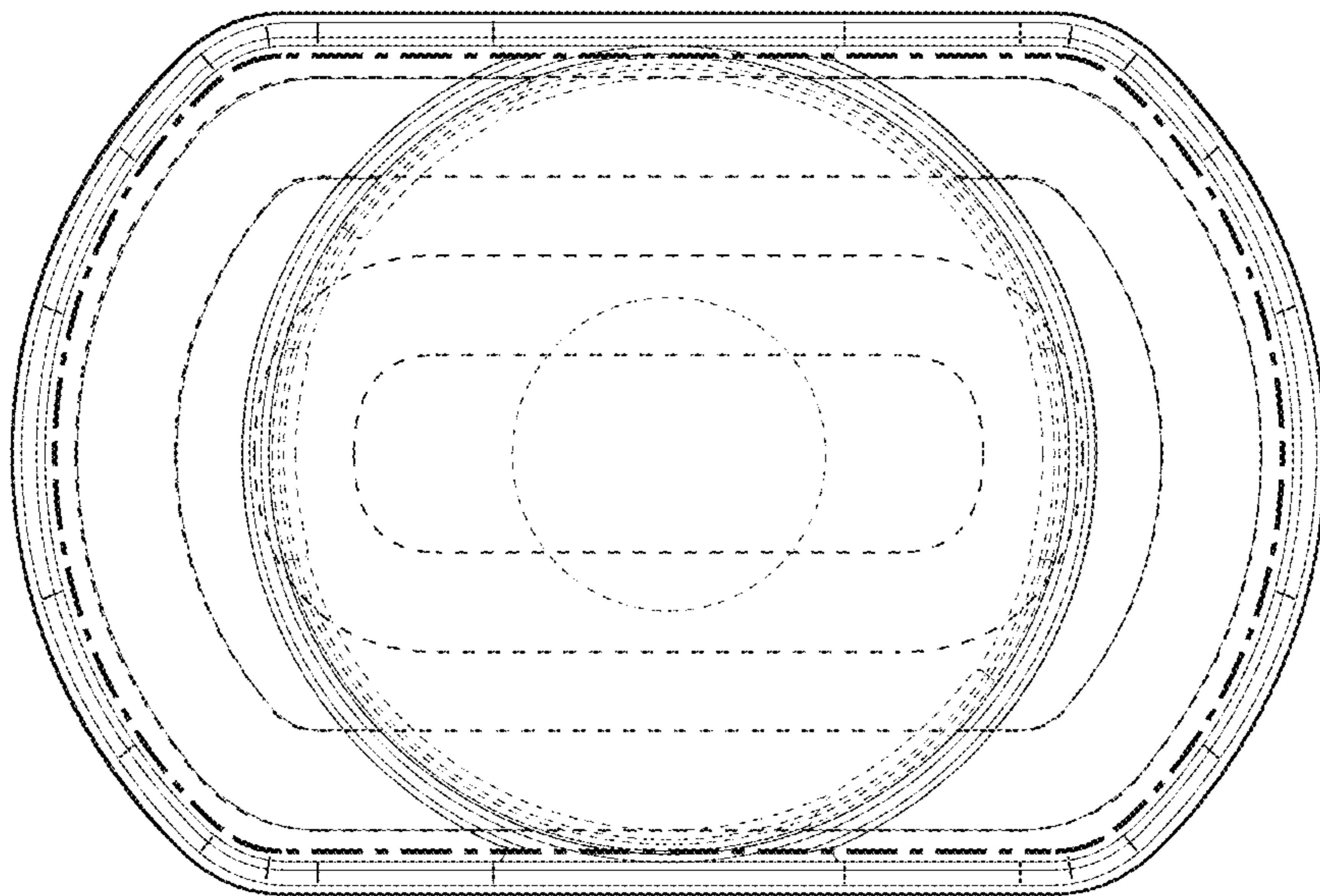


FIG. 6

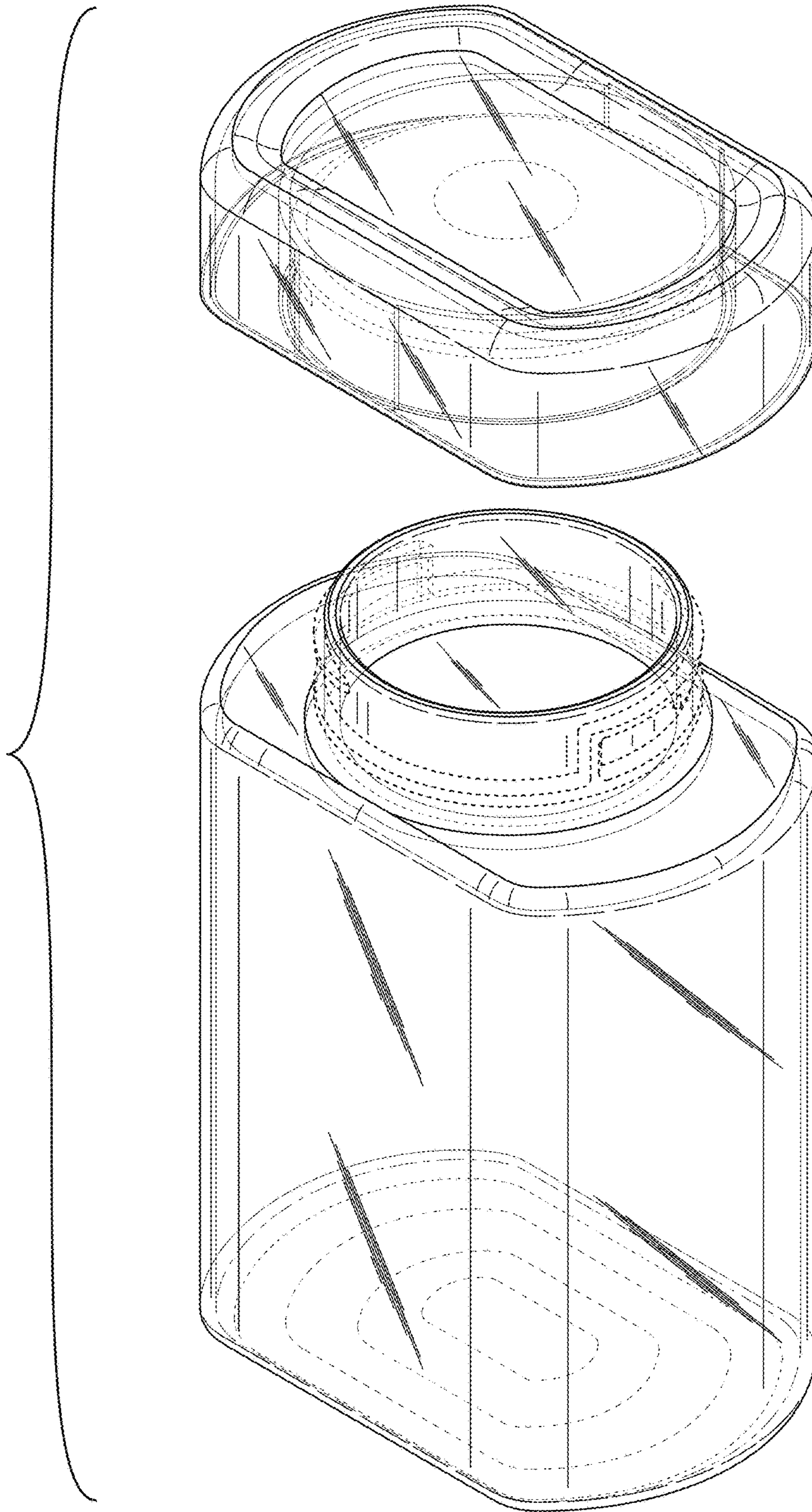


FIG. 7

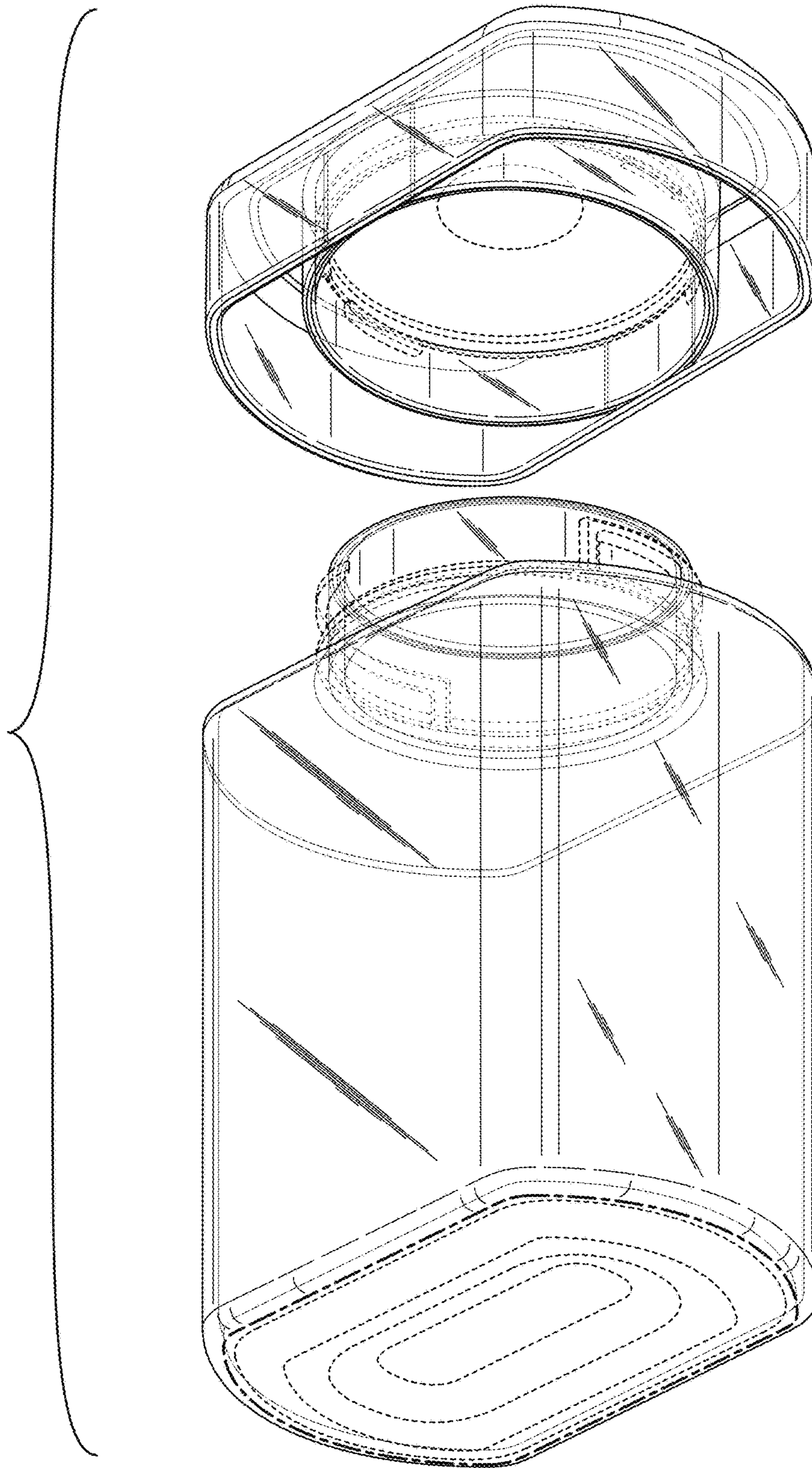


FIG. 8

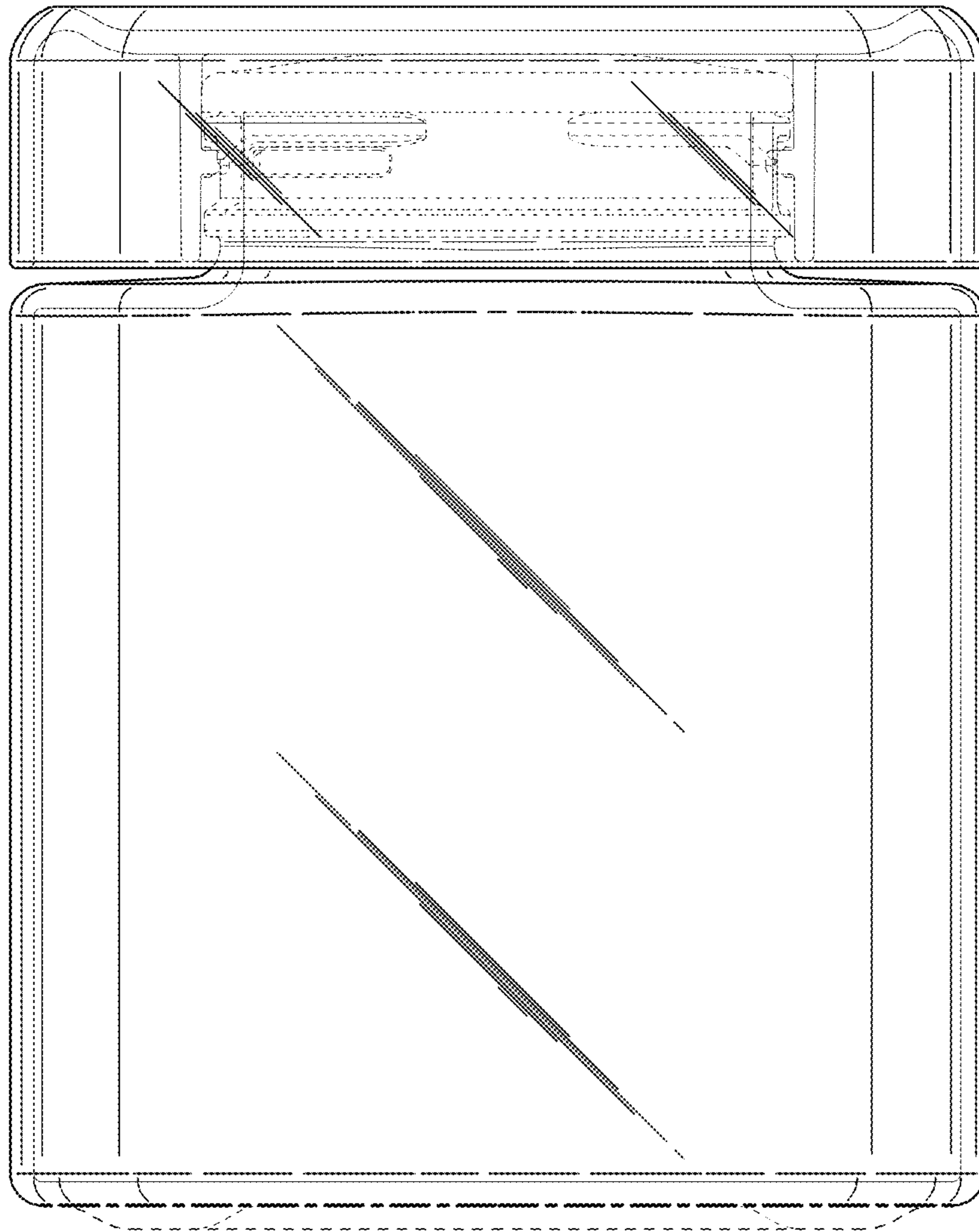


FIG. 9

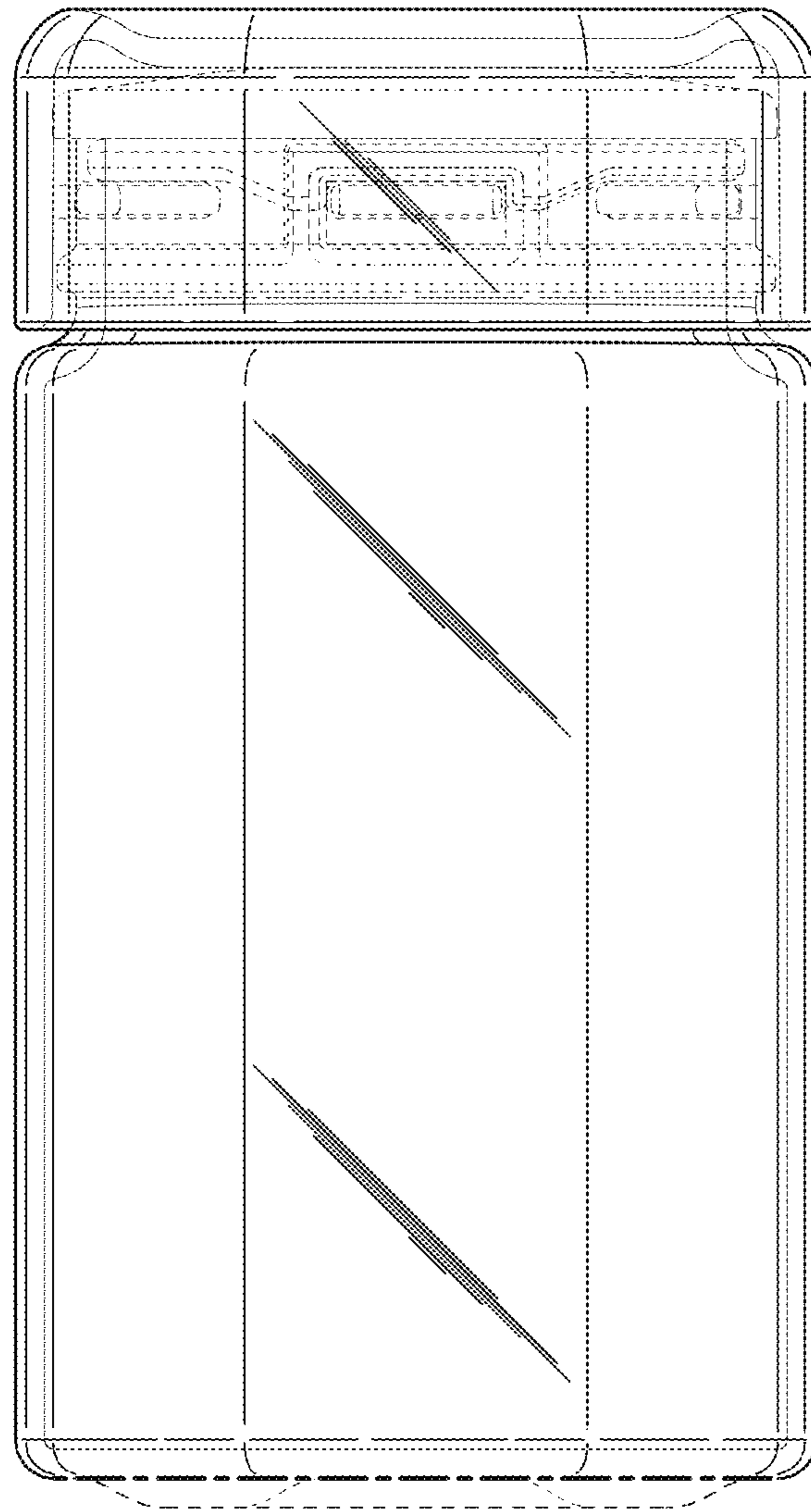


FIG. 10

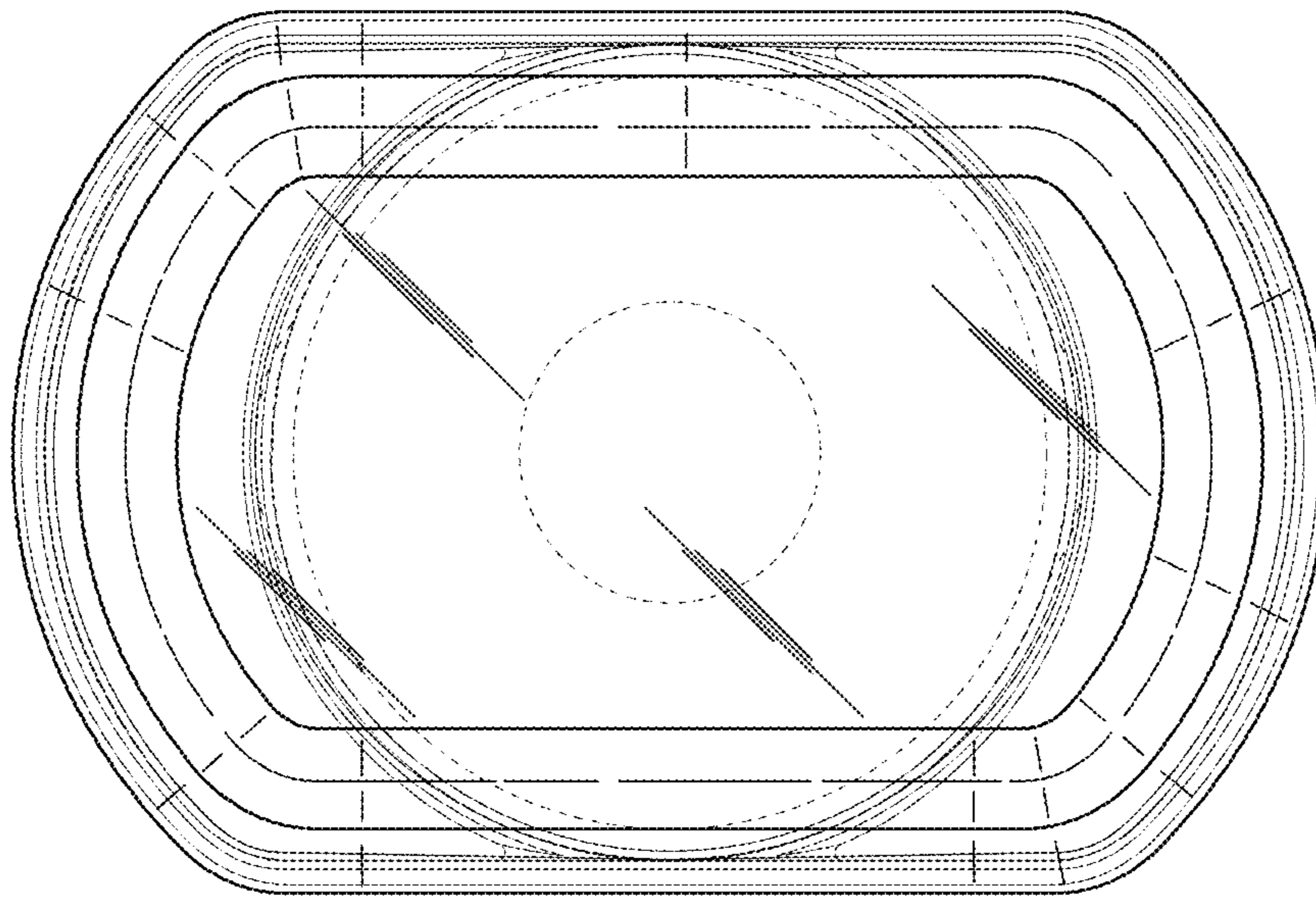


FIG. 11

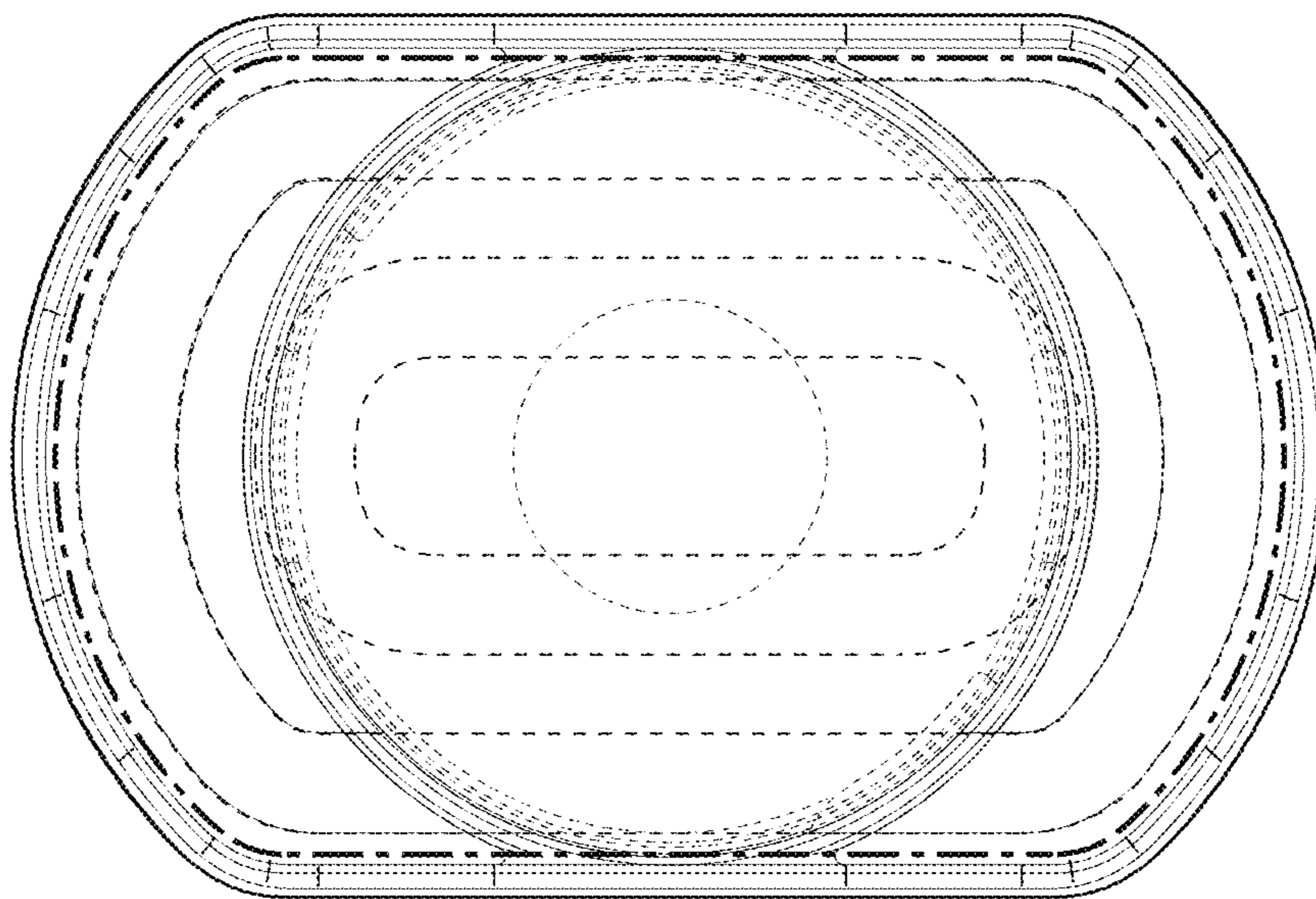


FIG. 12

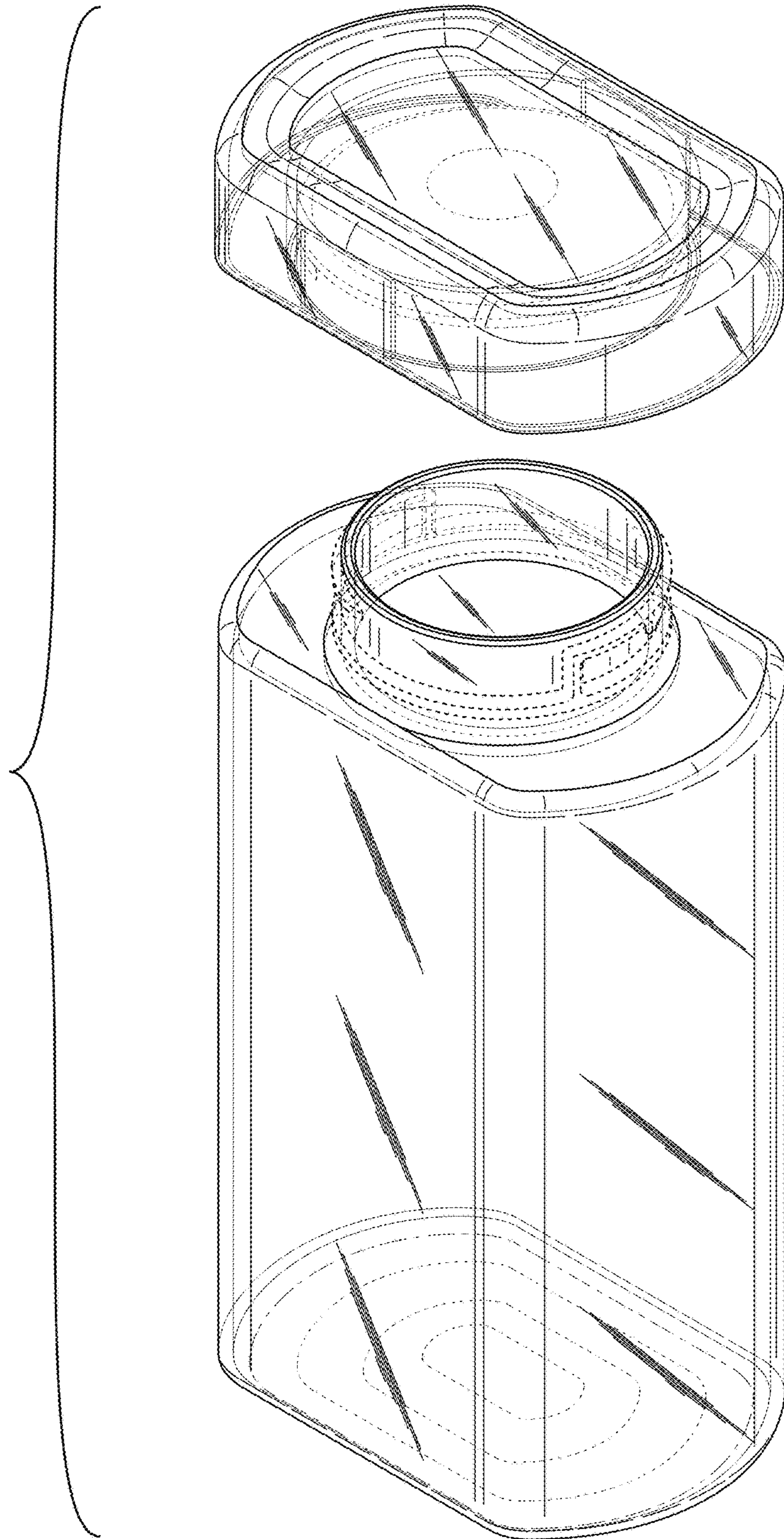


FIG. 13

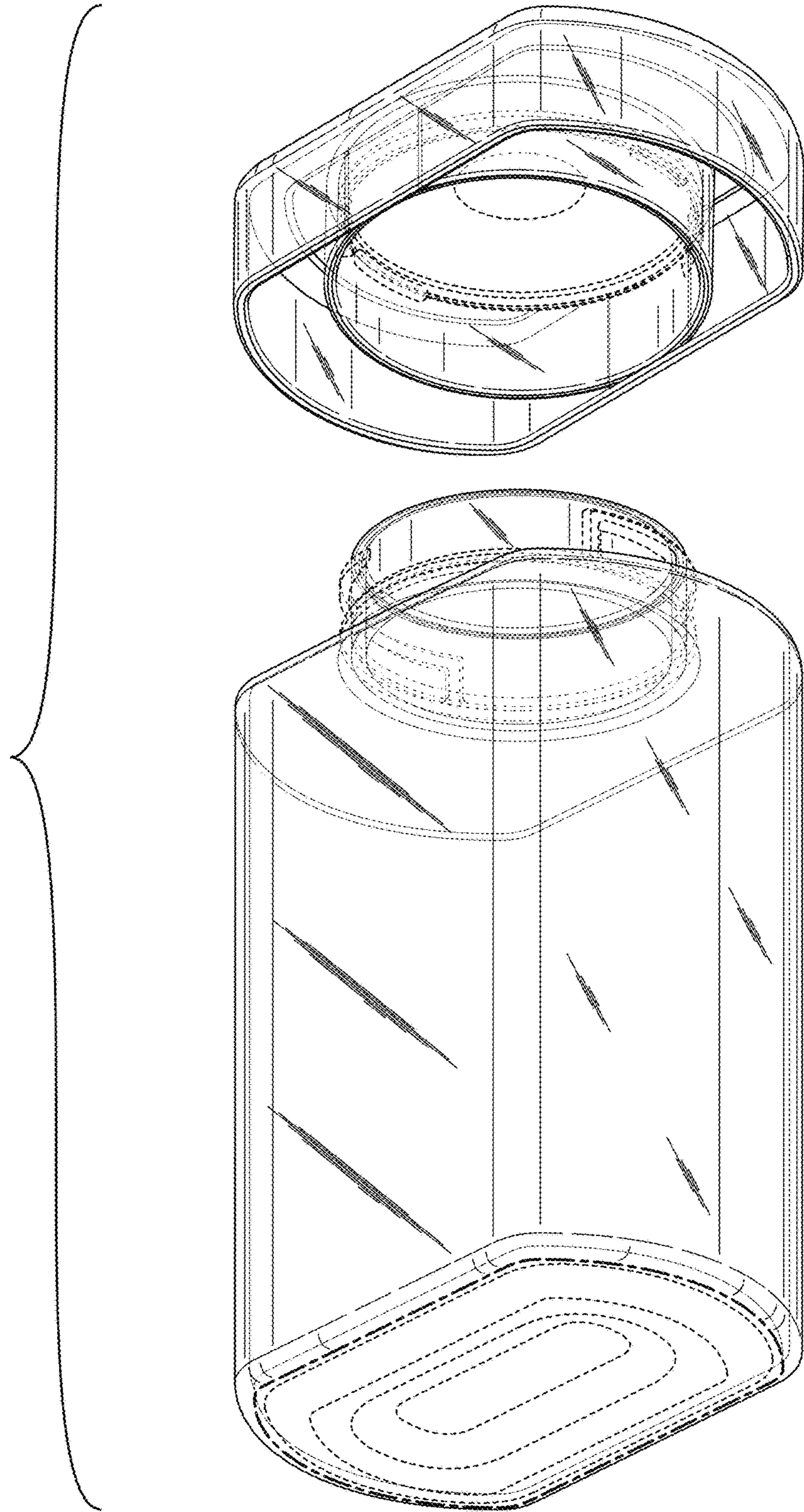


FIG. 14

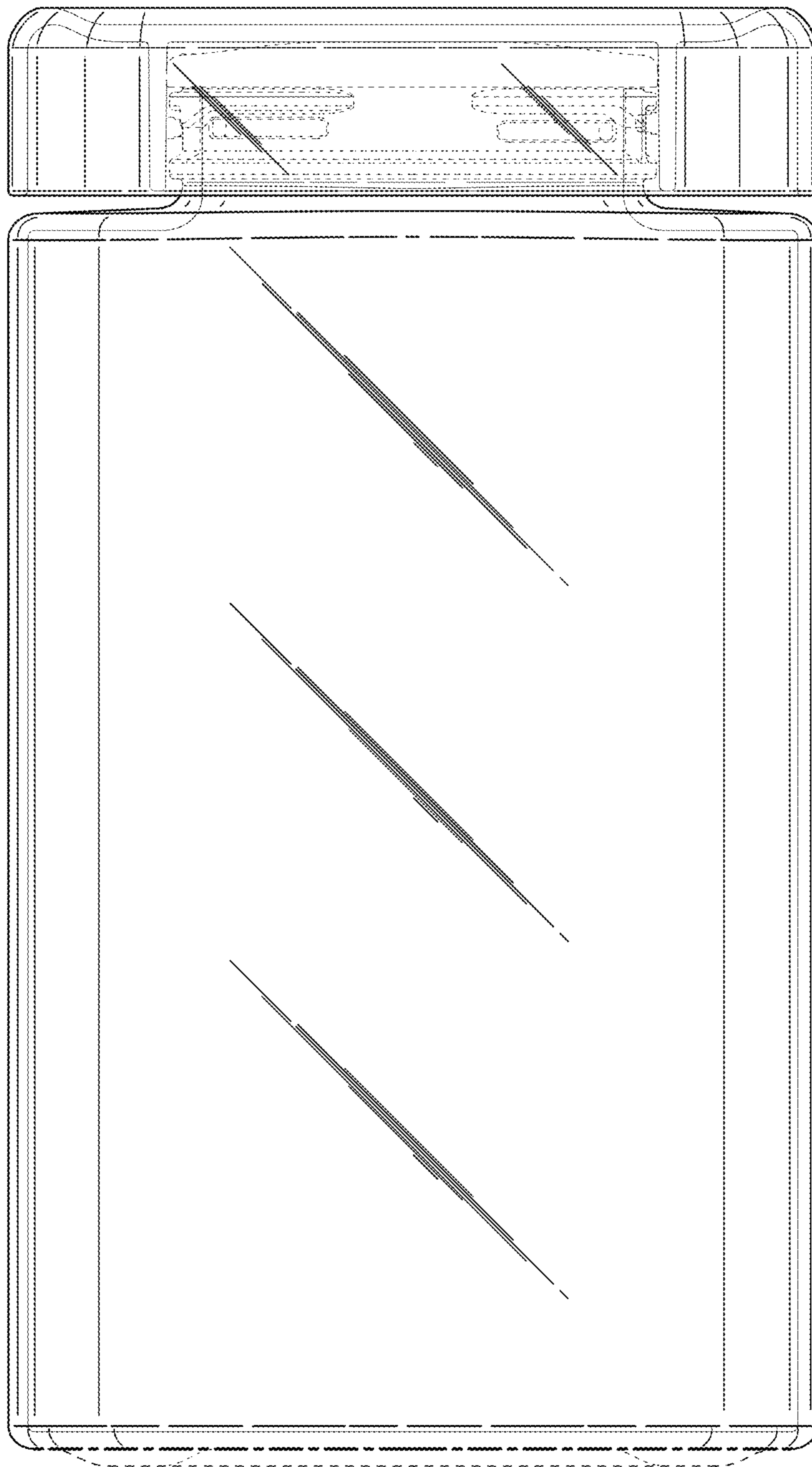


FIG. 15

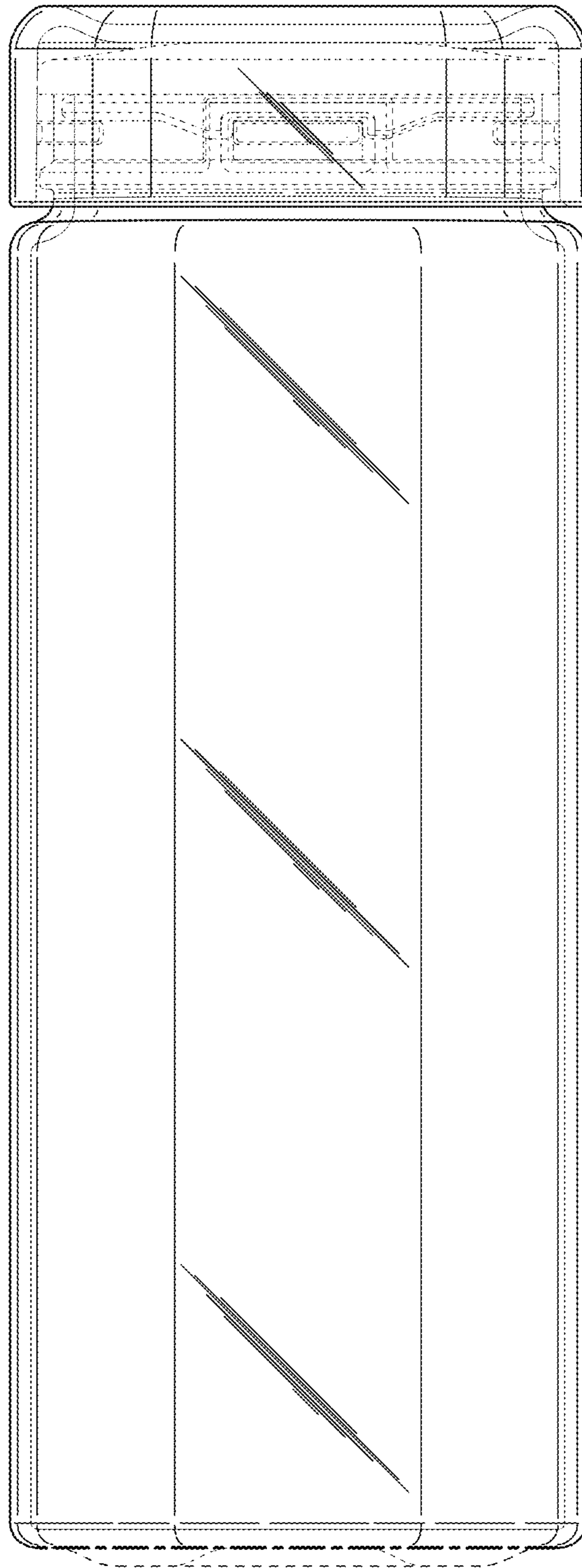


FIG. 16

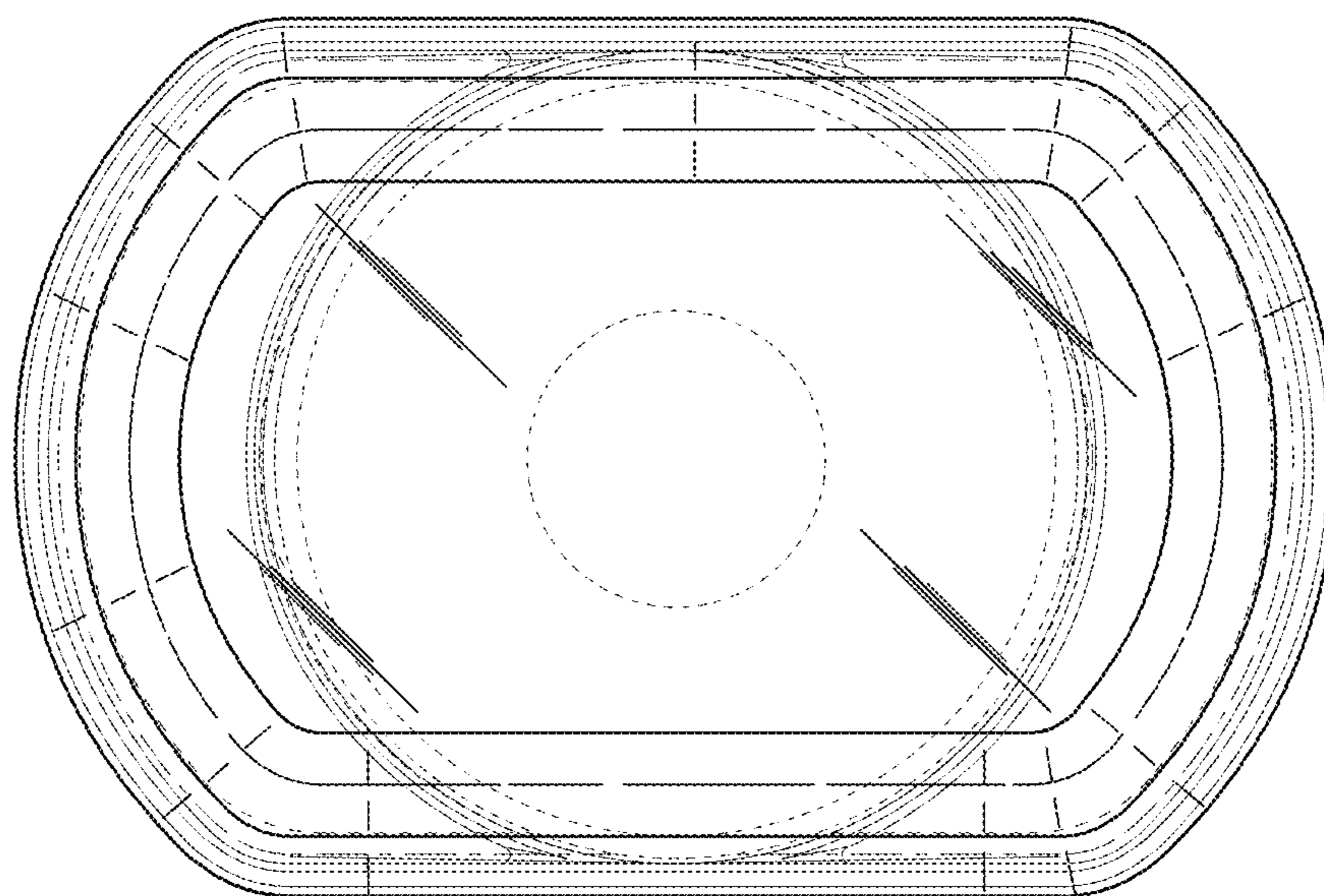


FIG. 17

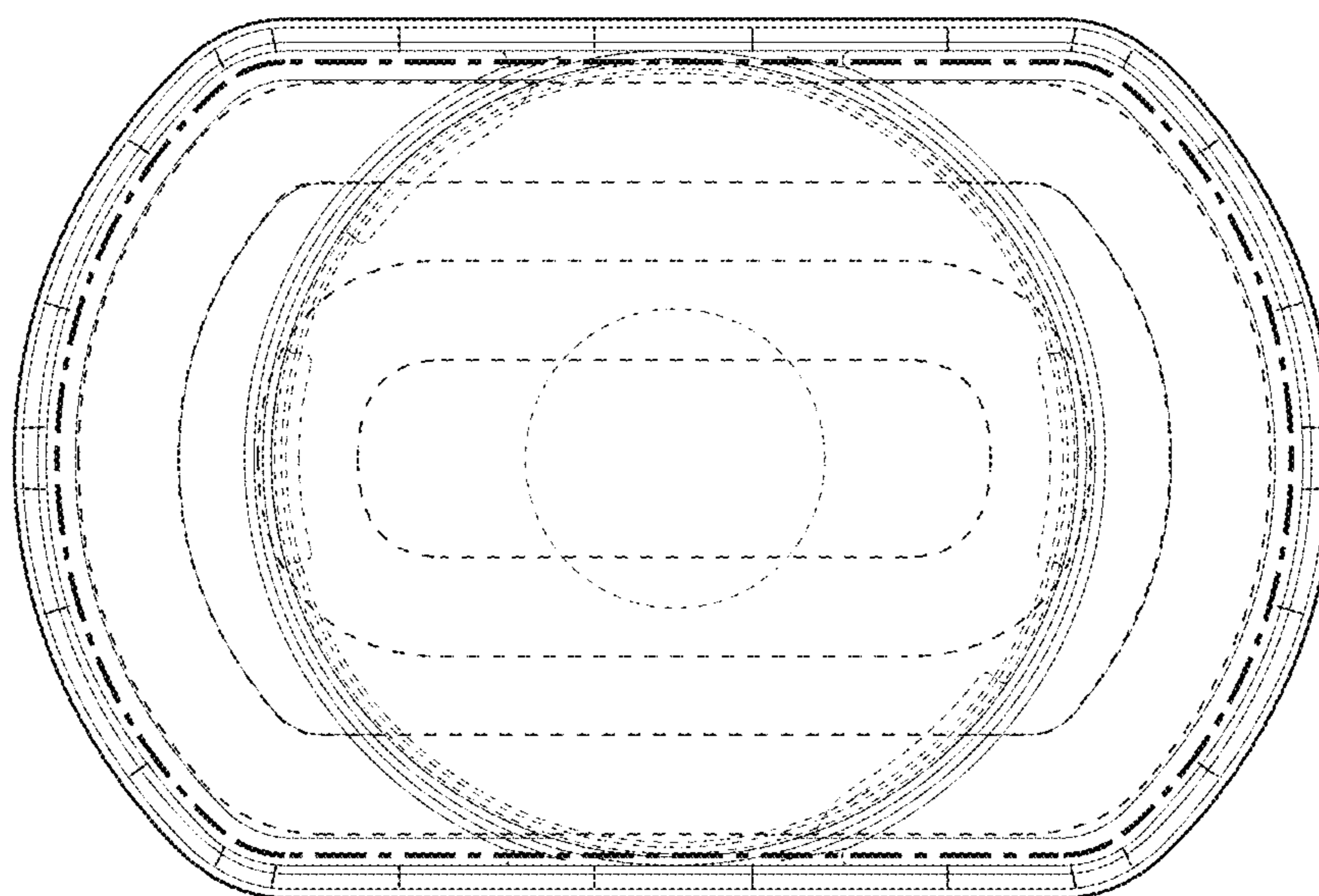


FIG. 18

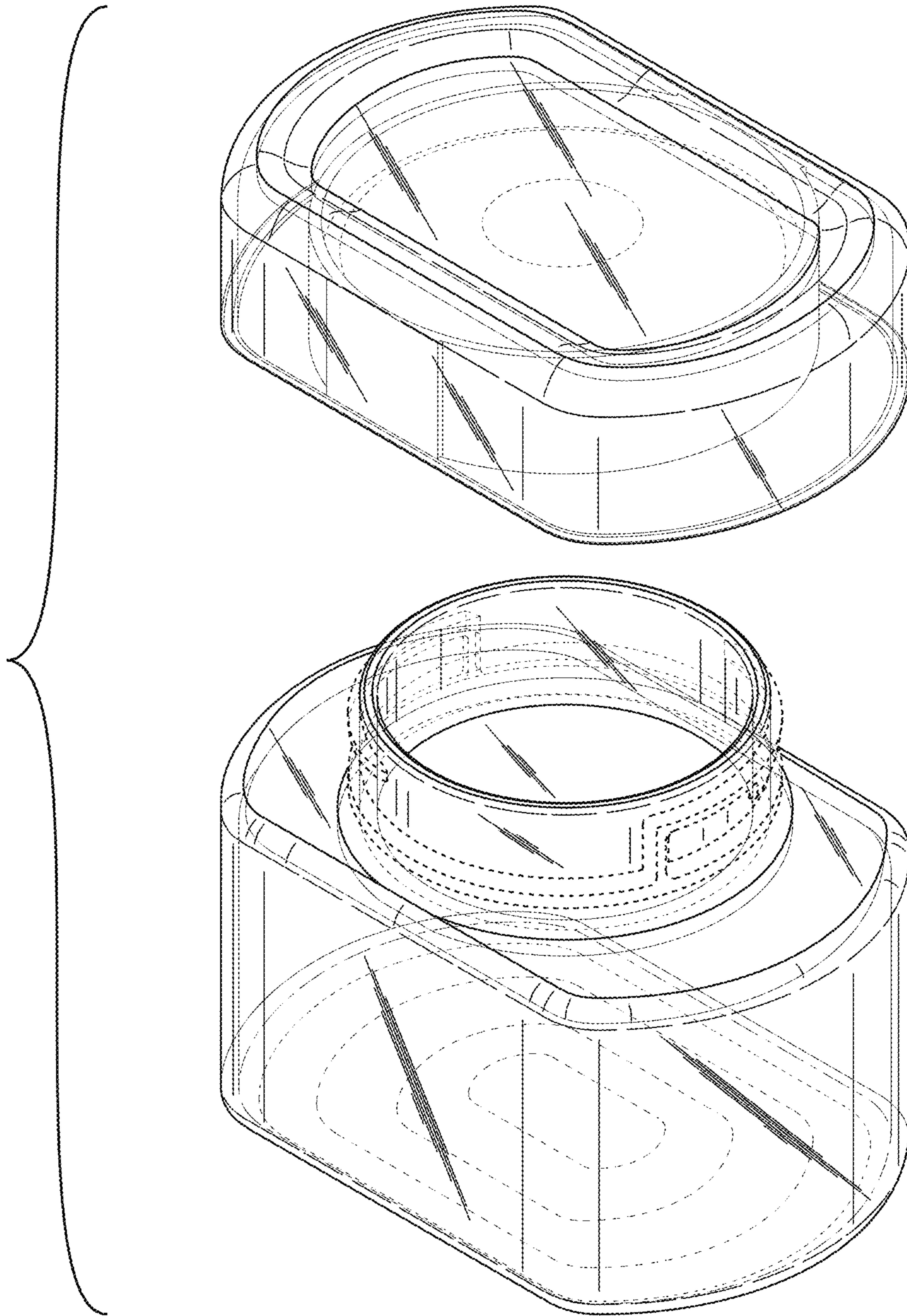


FIG. 19

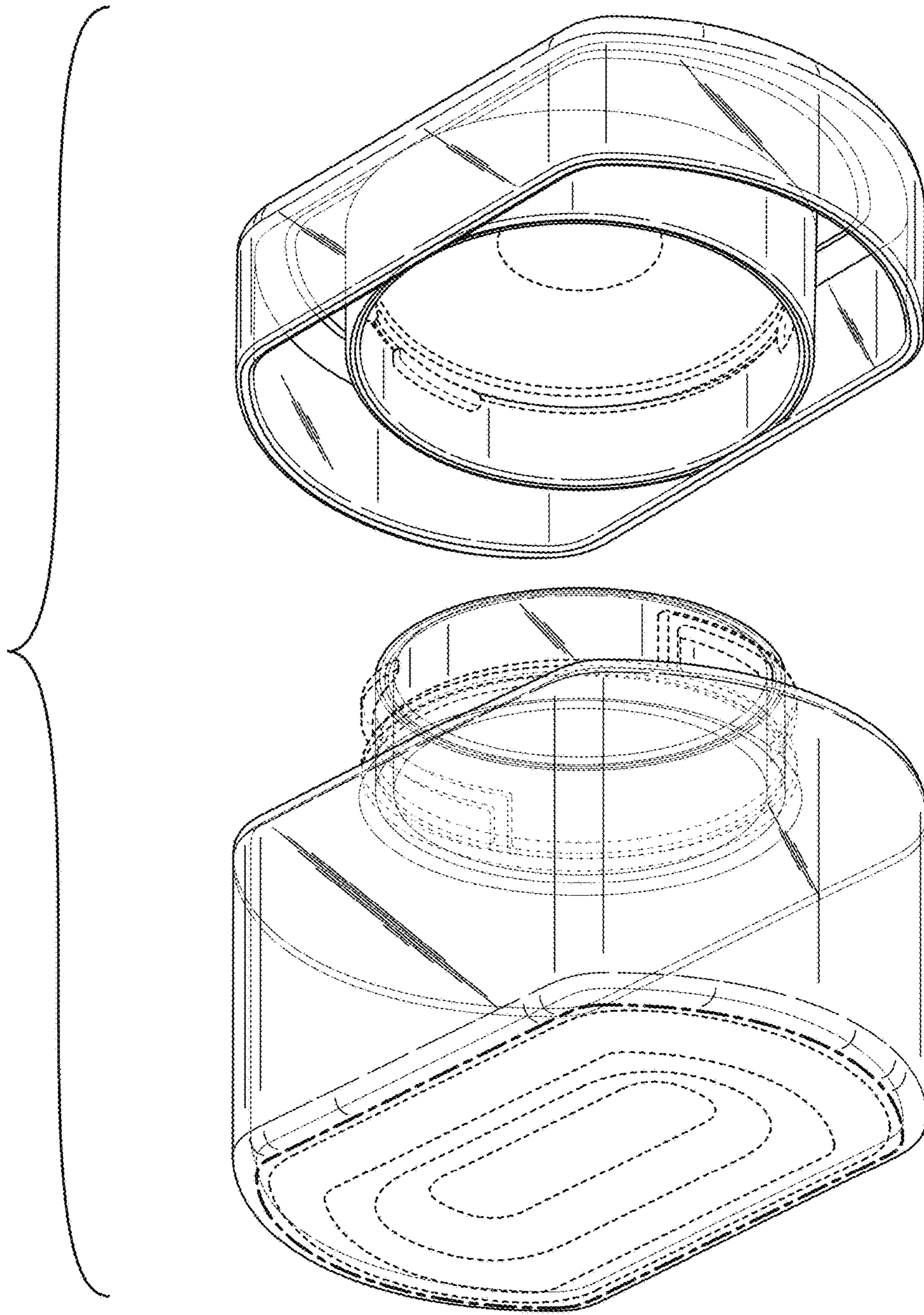


FIG. 20

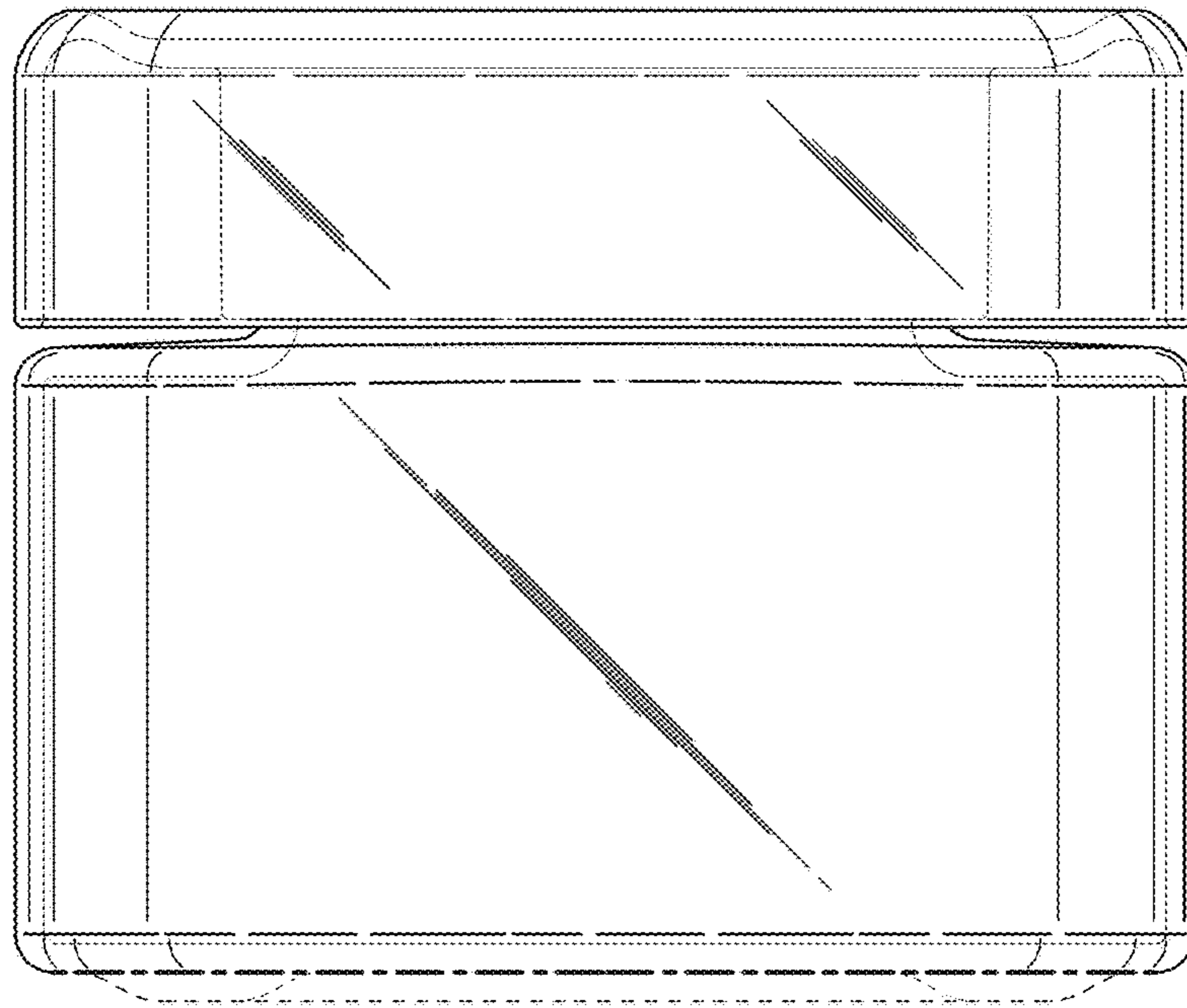


FIG. 21

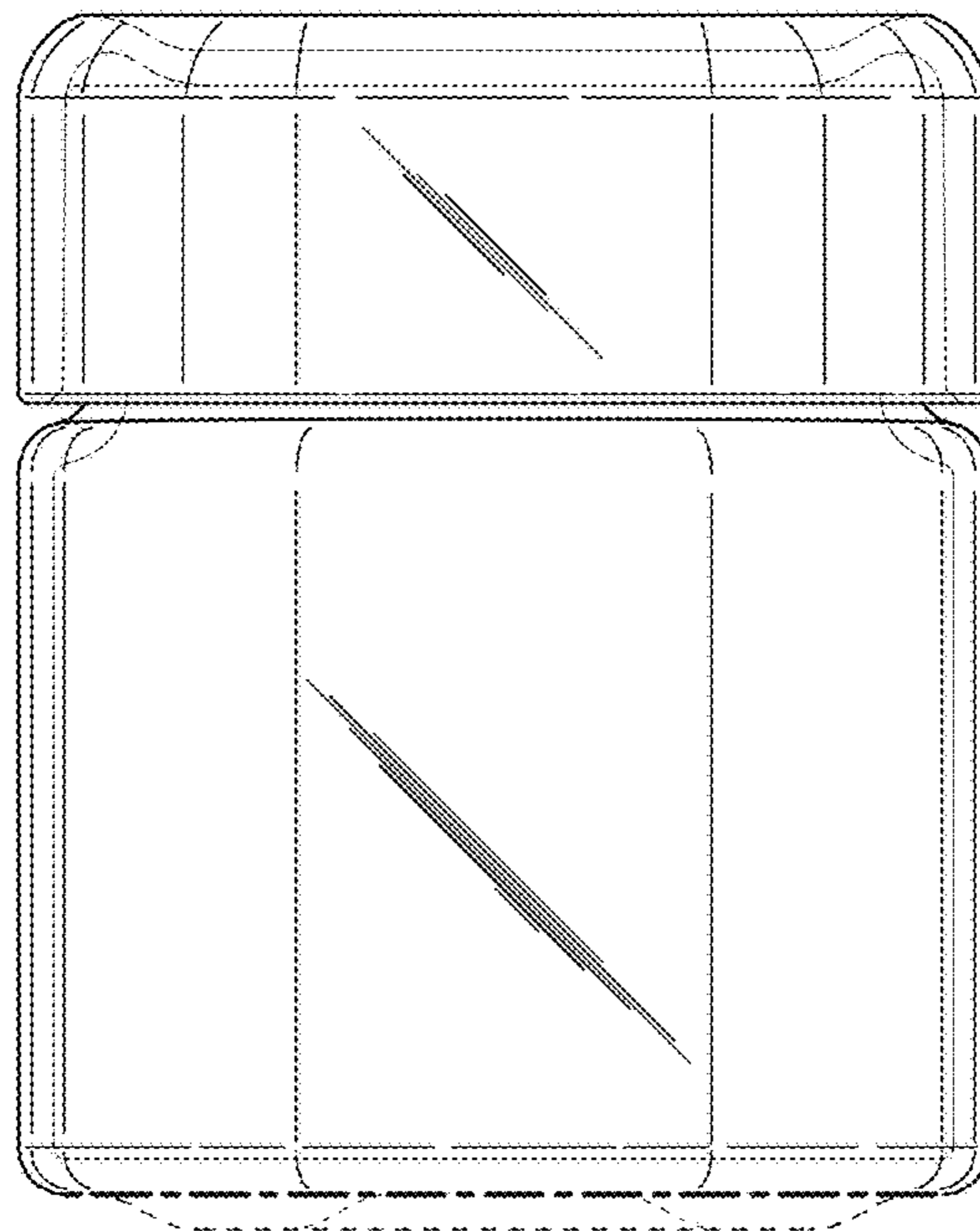


FIG. 22

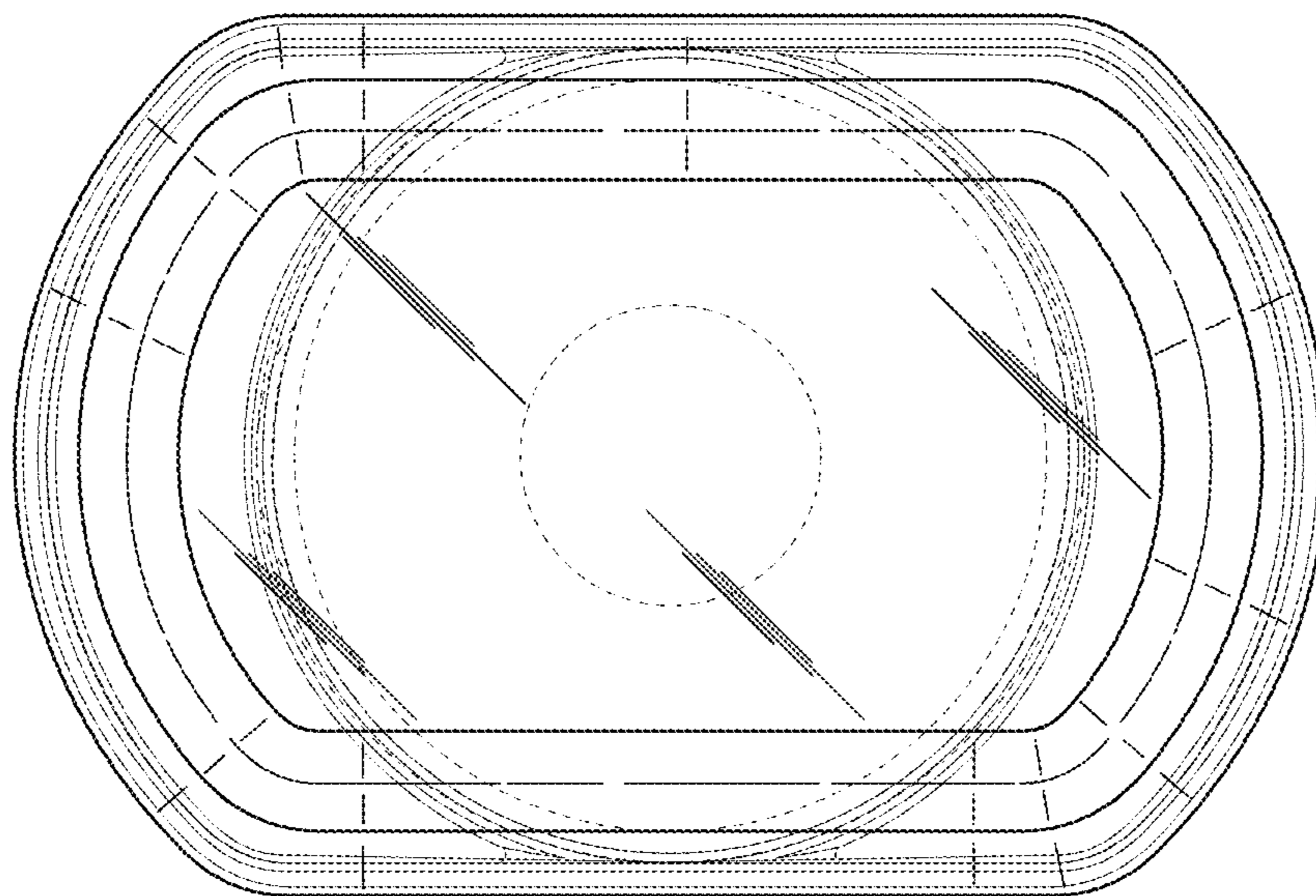


FIG. 23

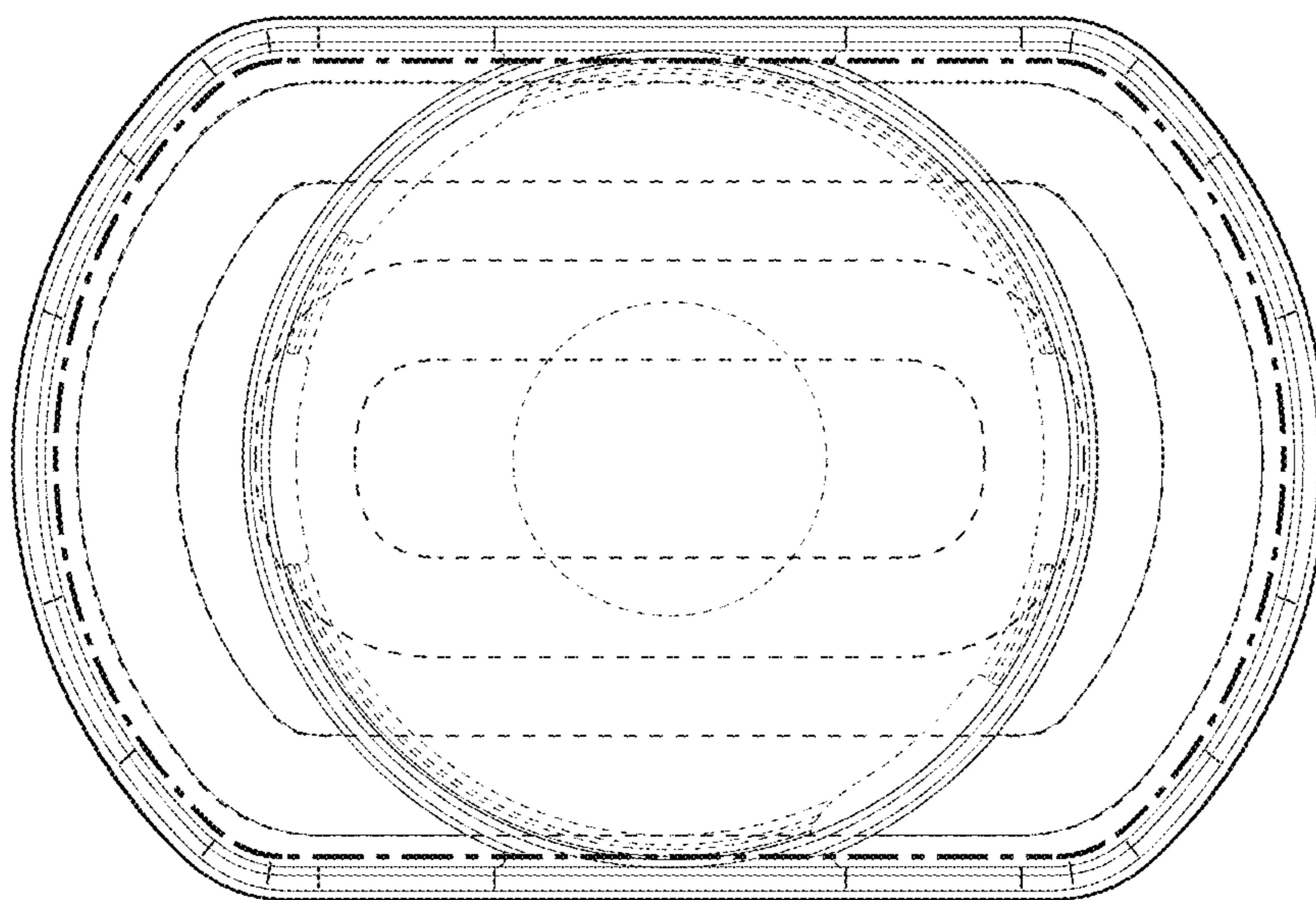


FIG. 24

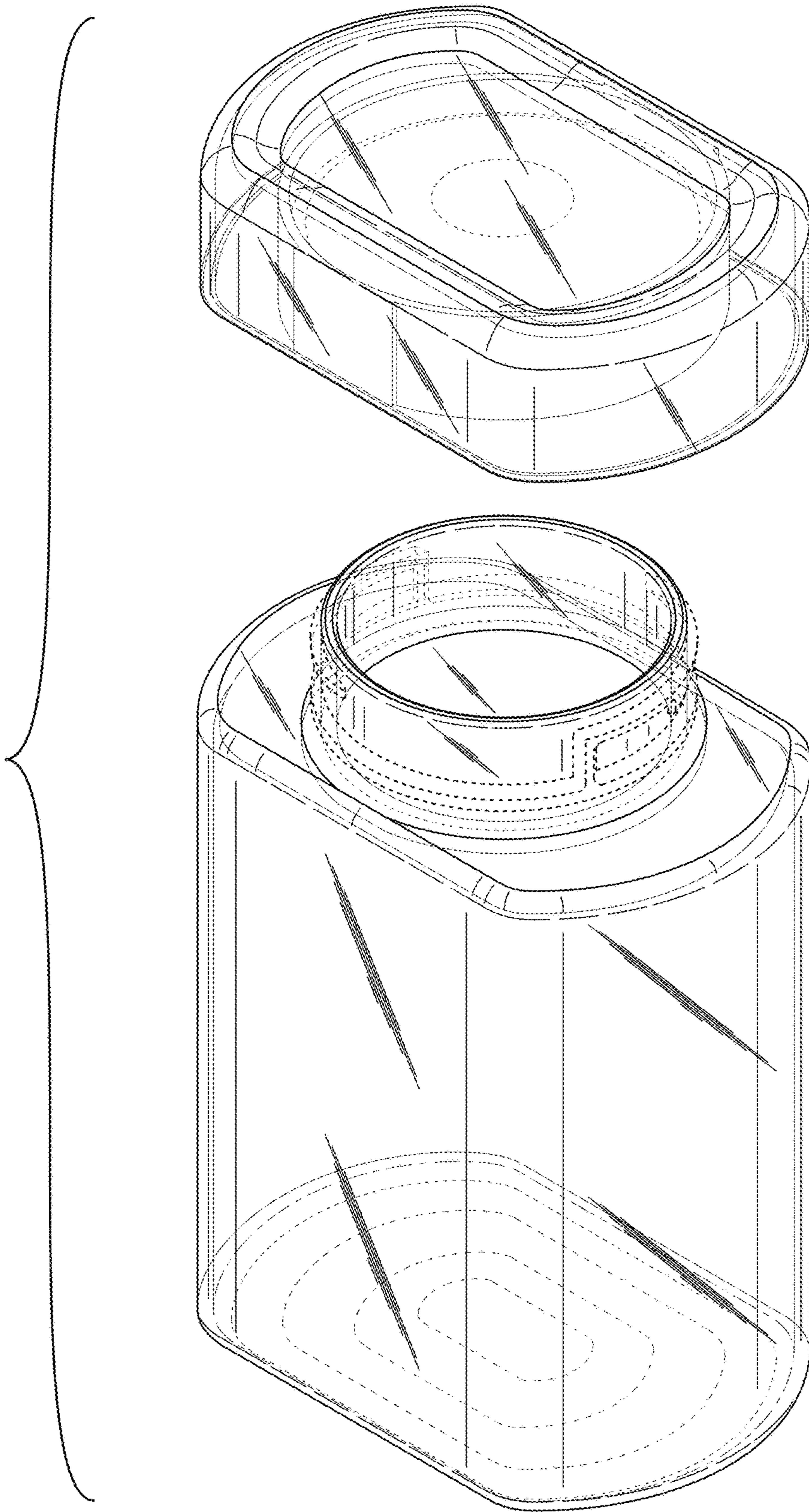


FIG. 25

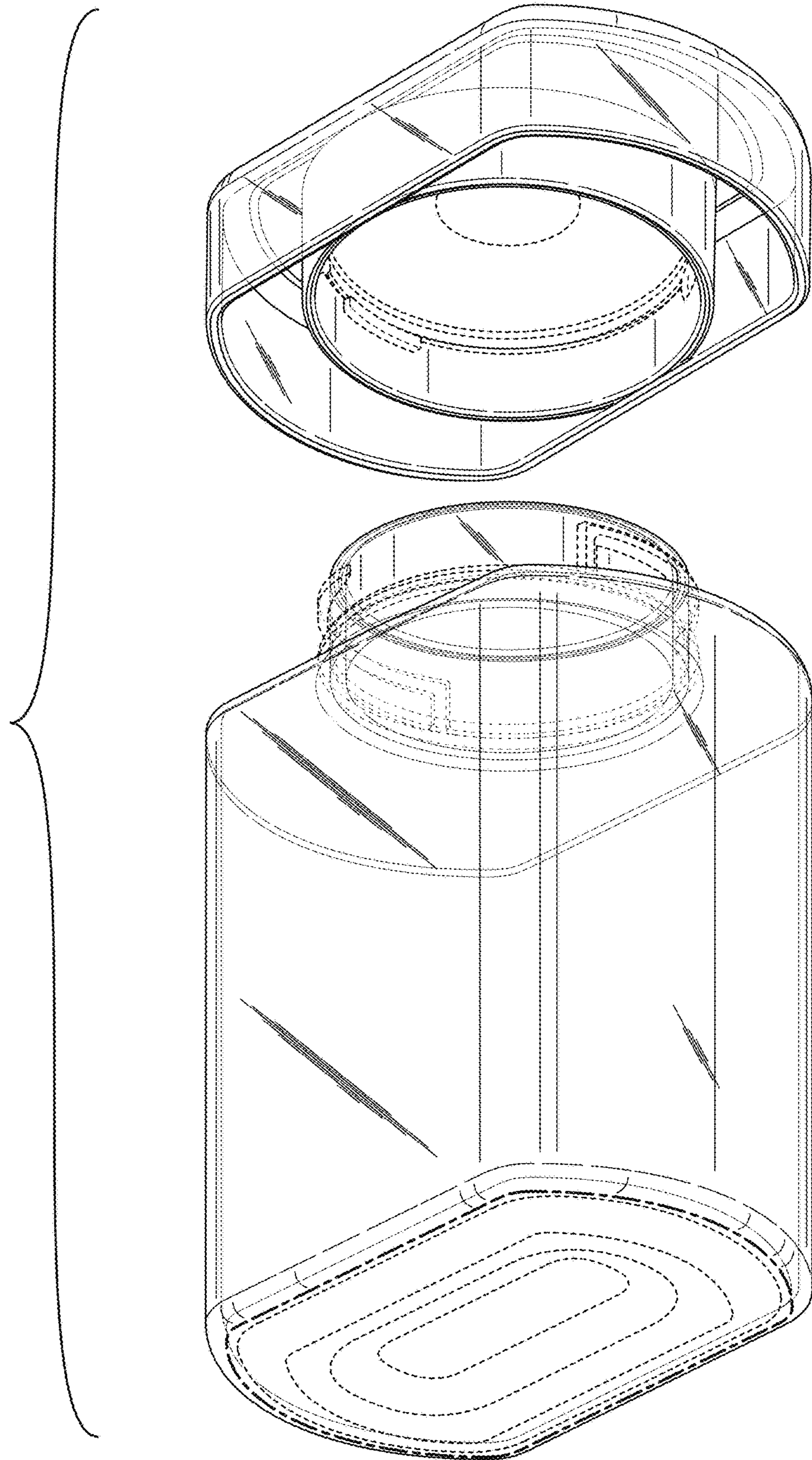


FIG. 26

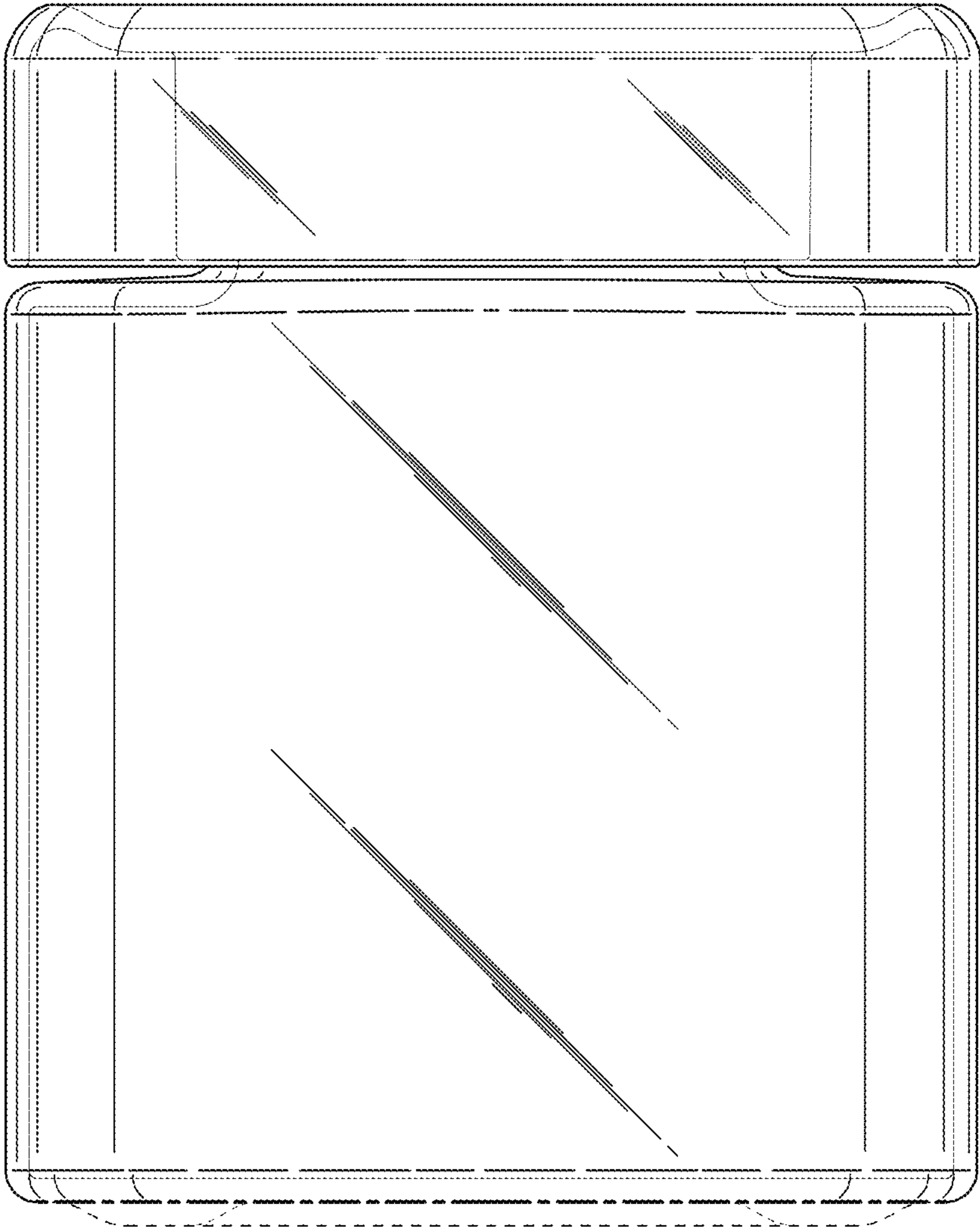


FIG. 27

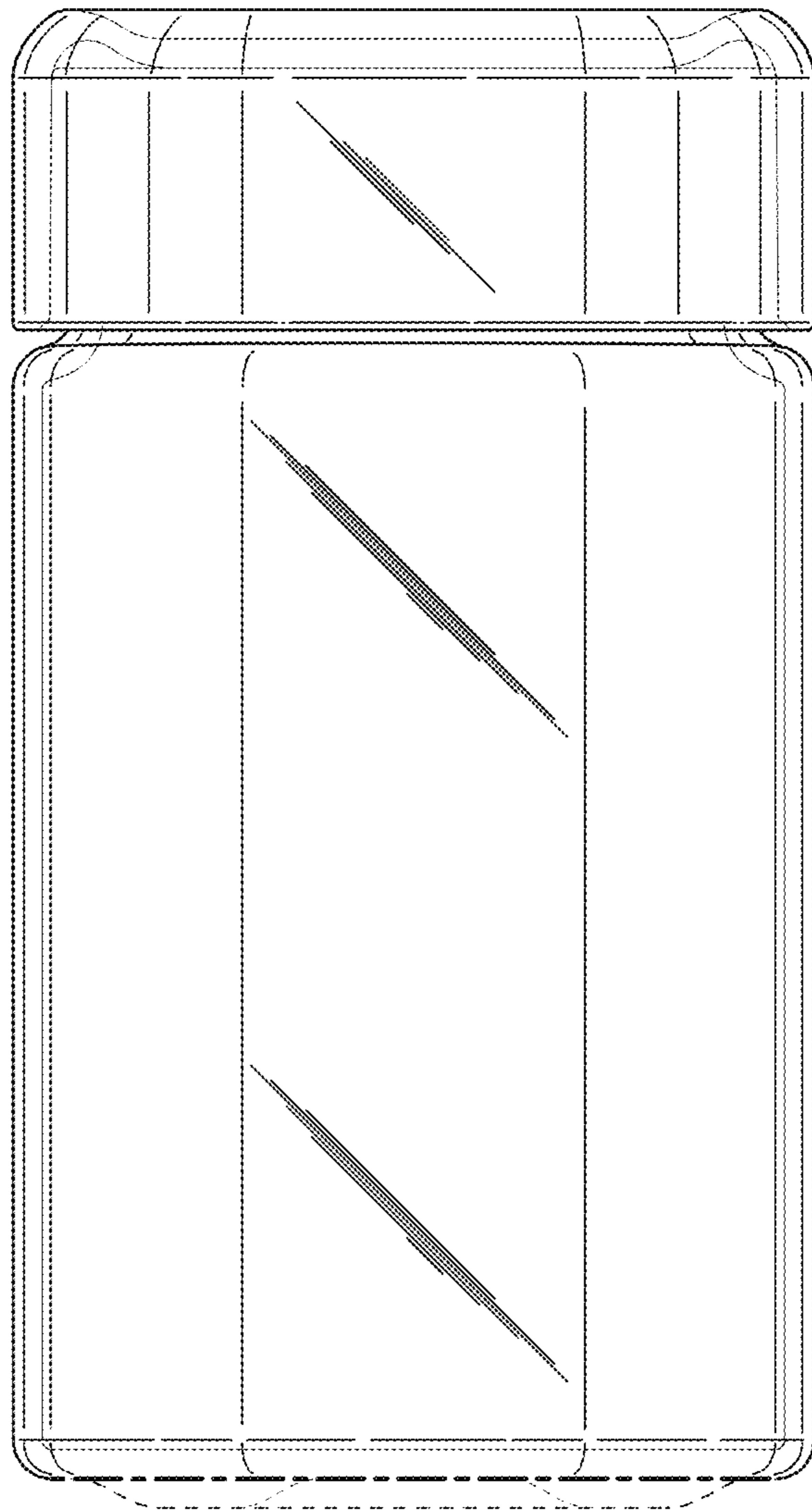


FIG. 28

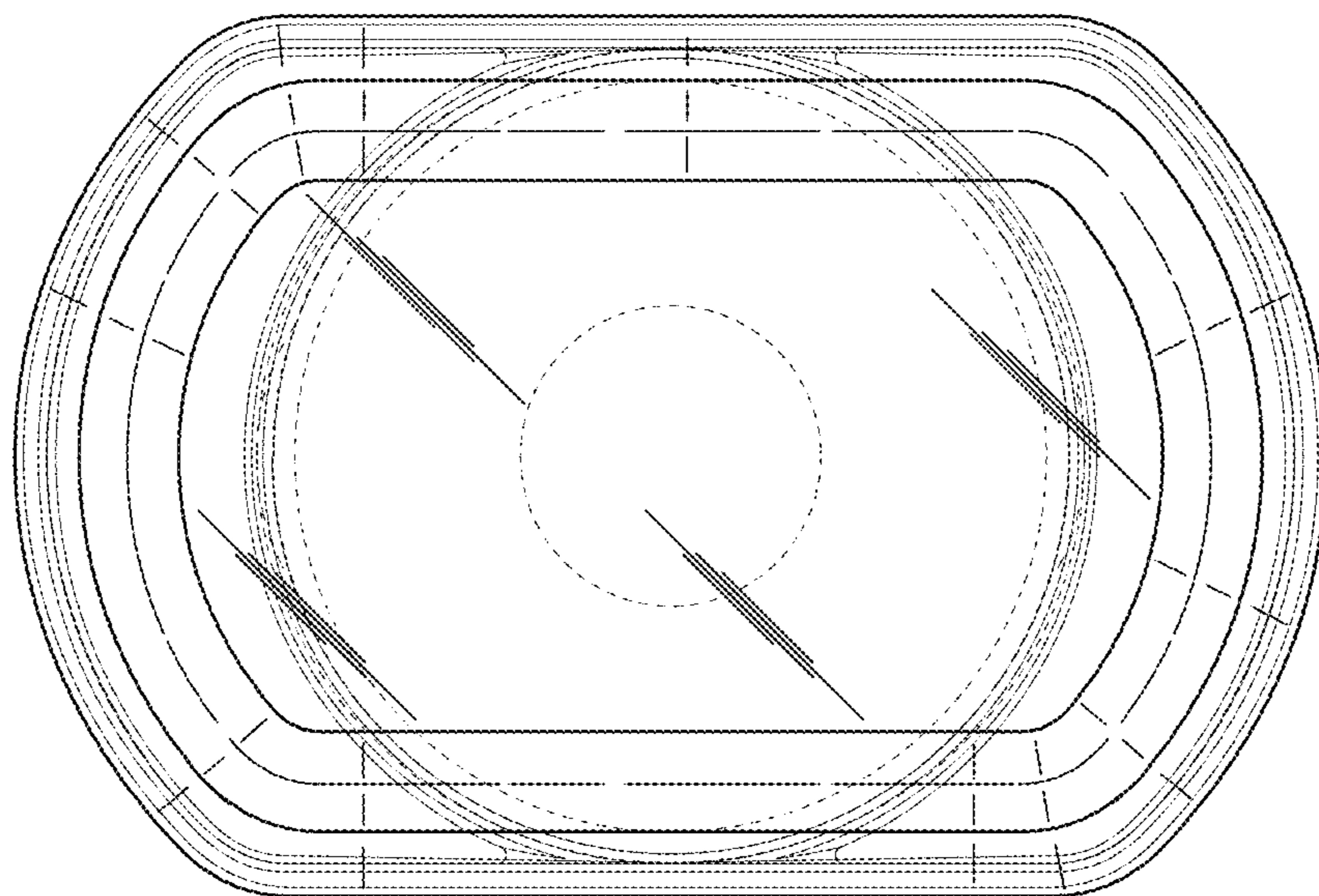


FIG. 29

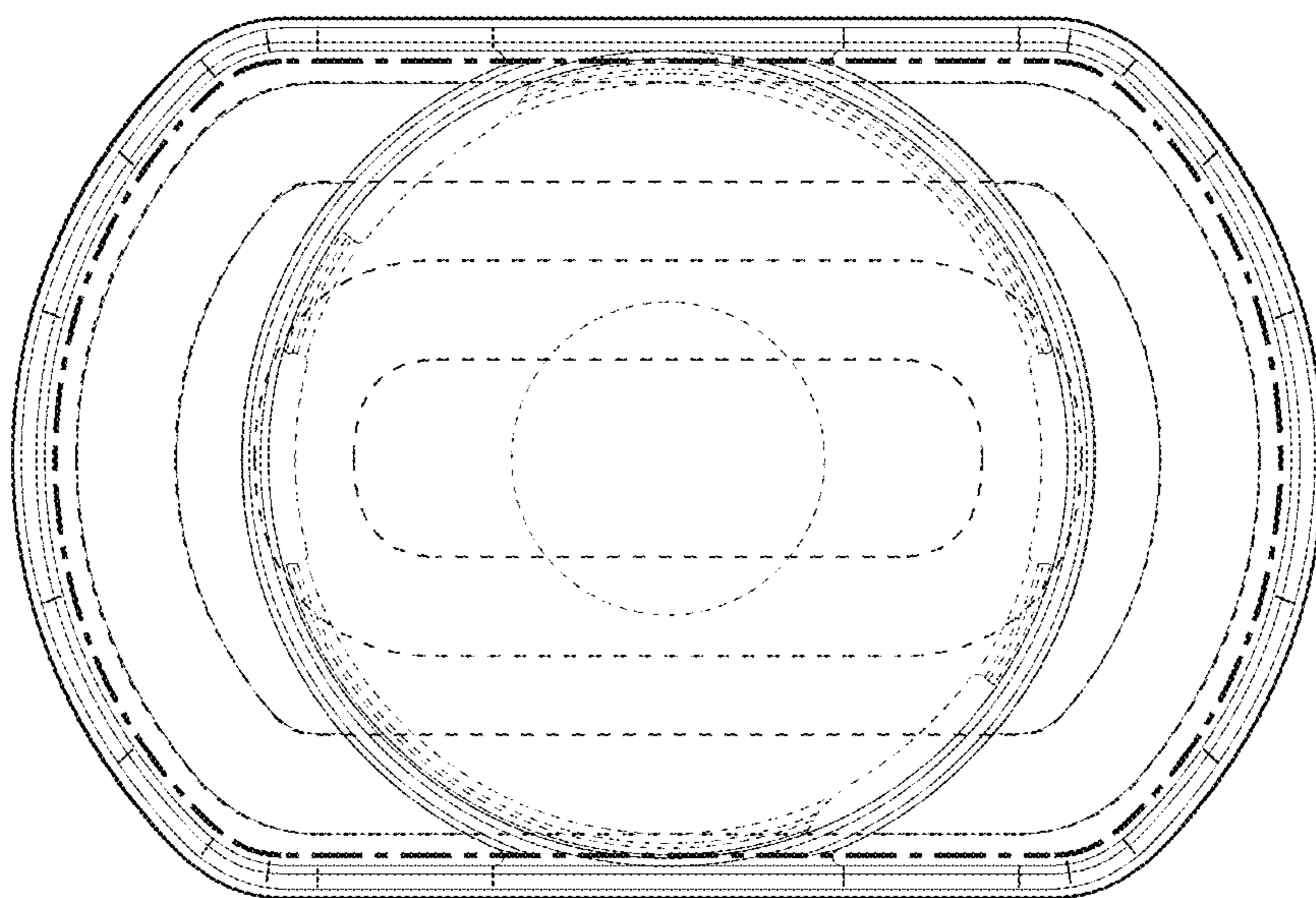


FIG. 30

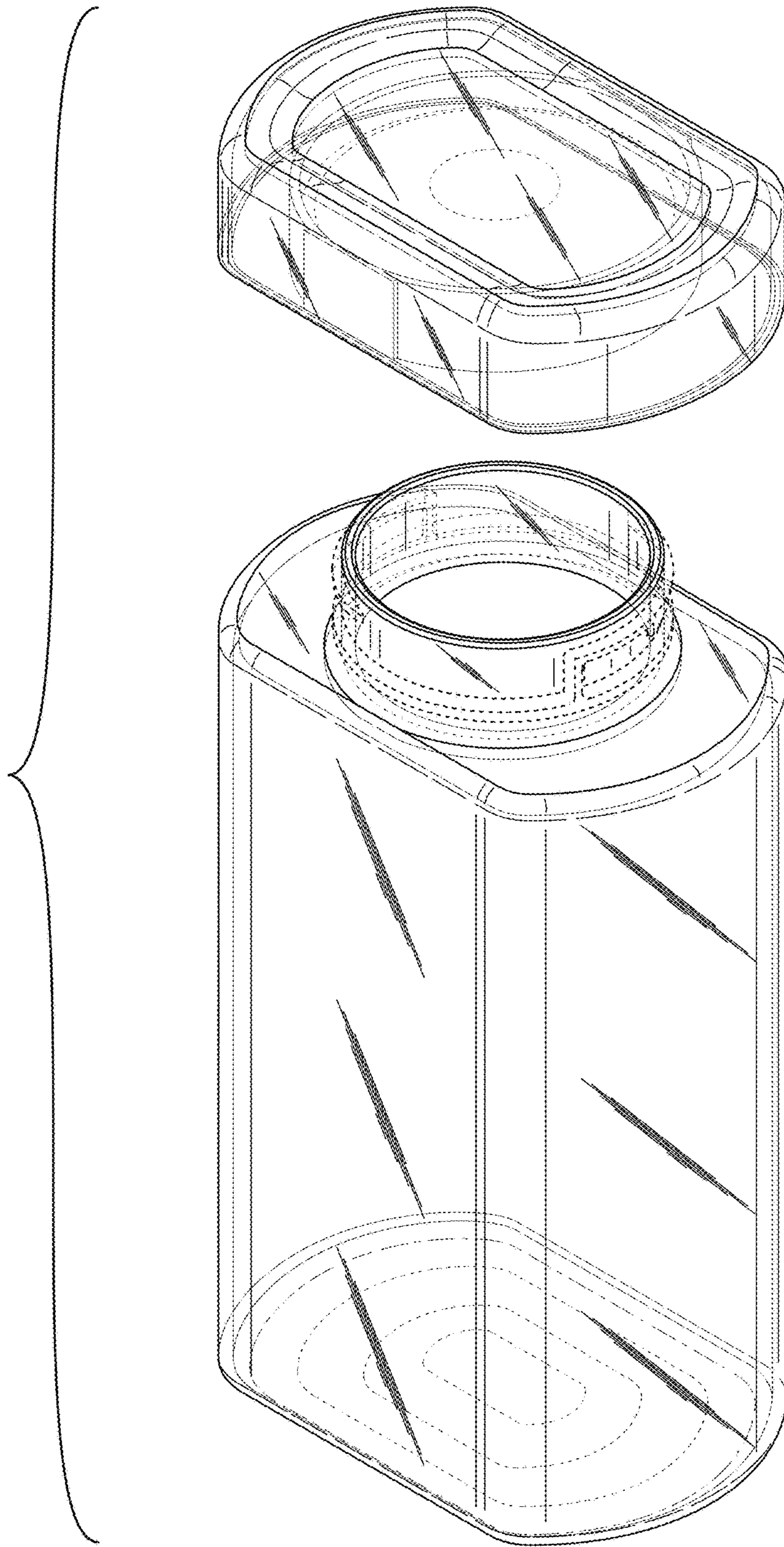


FIG. 31

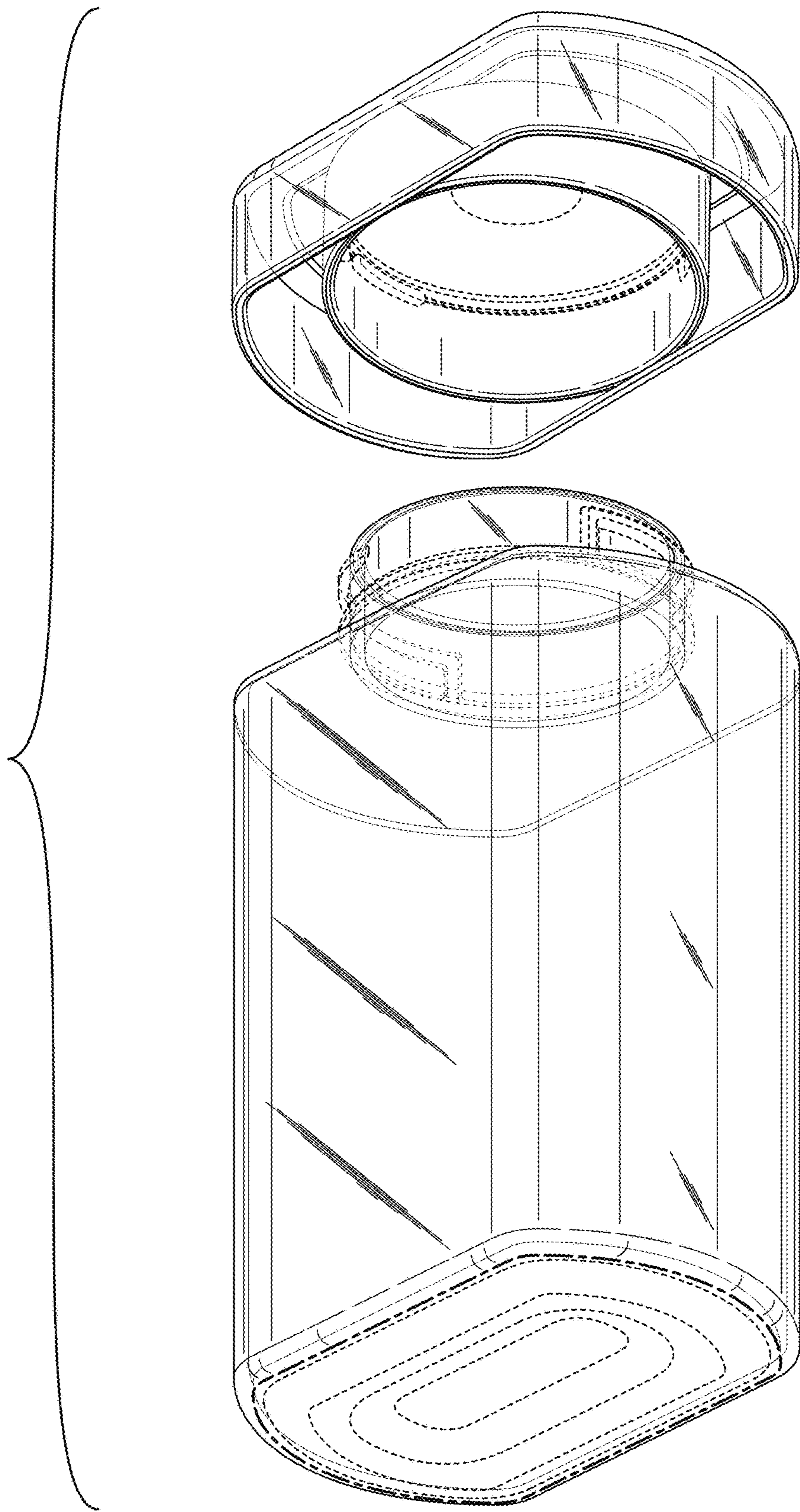


FIG. 32

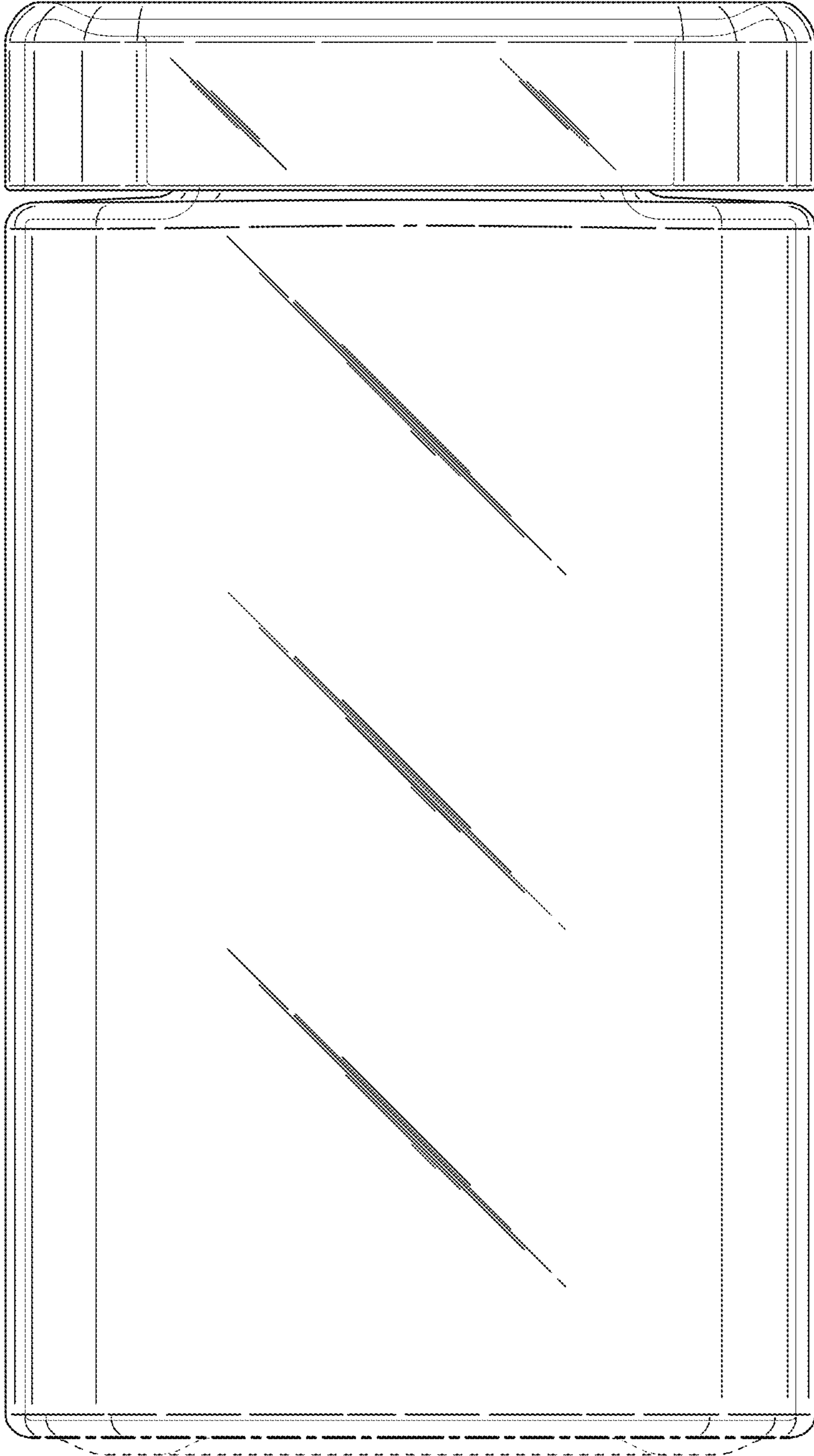


FIG. 33

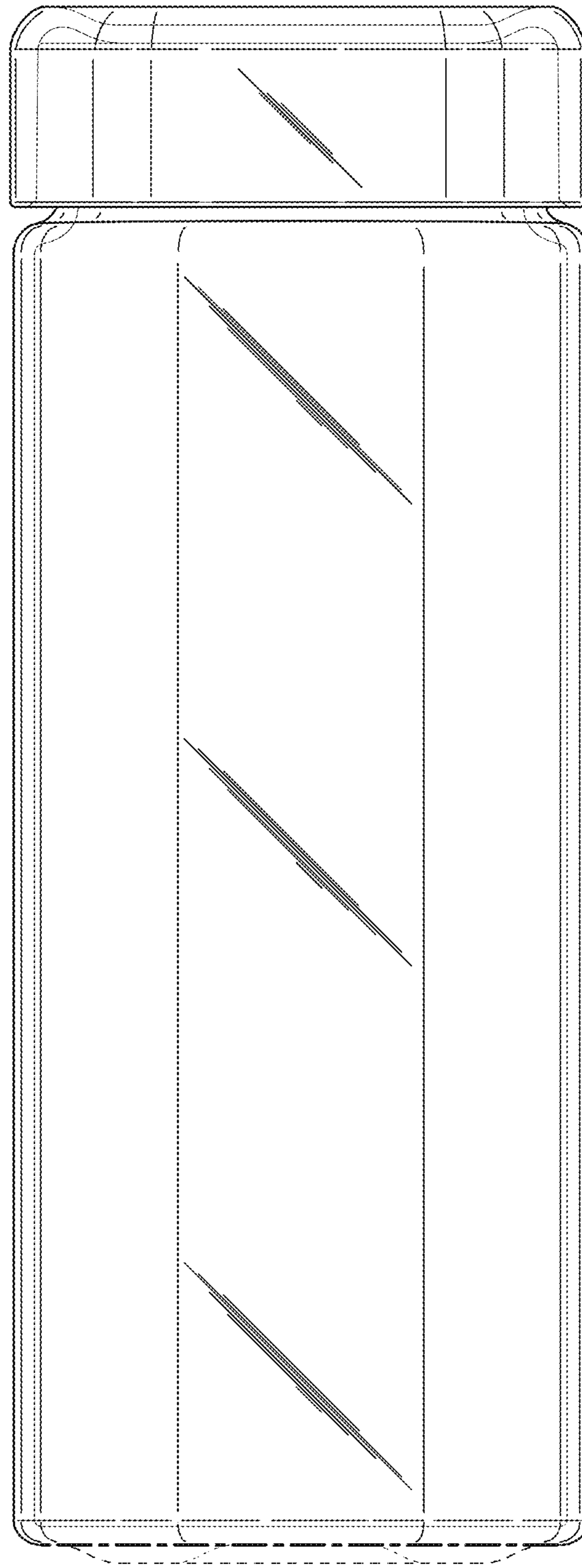


FIG. 34

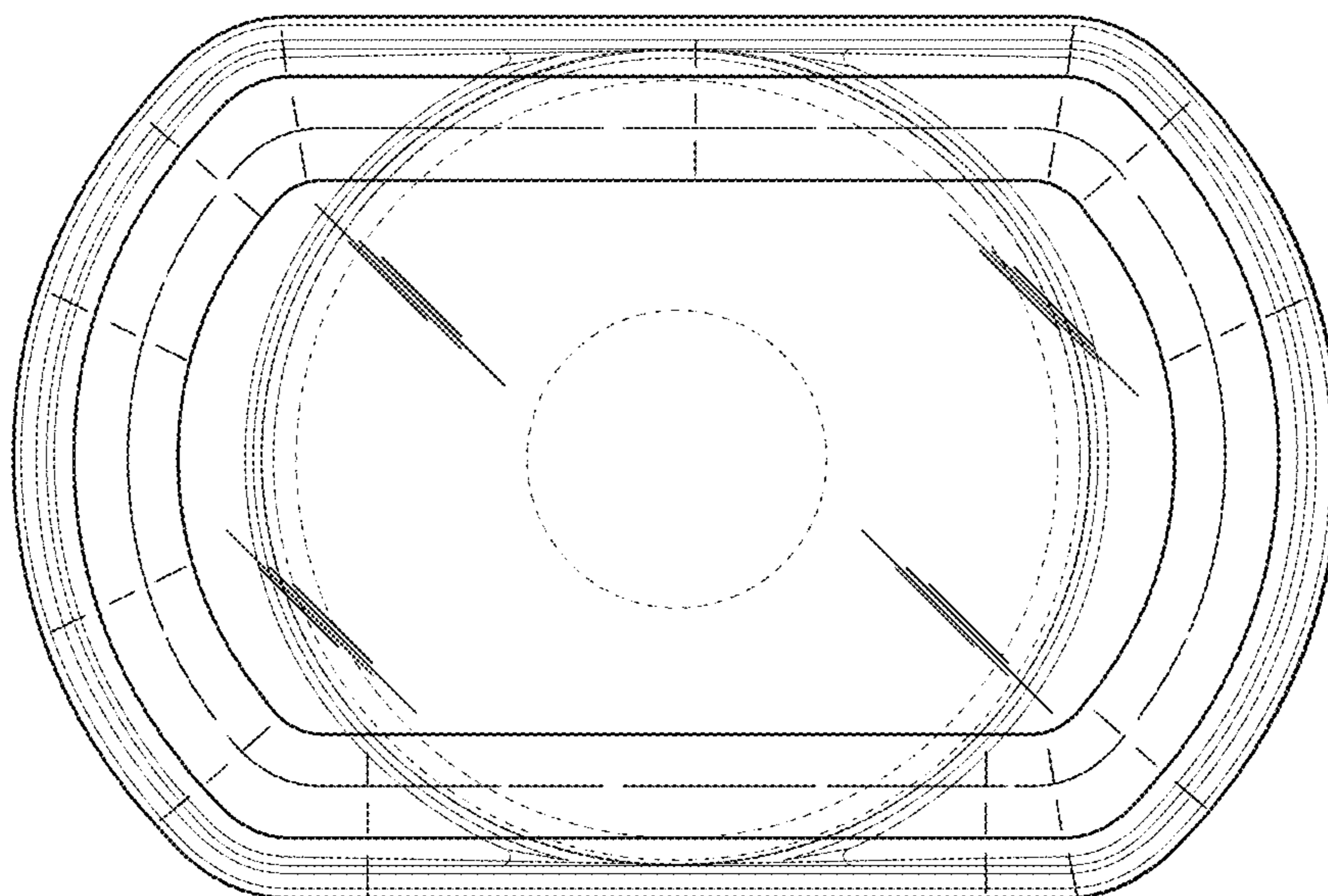


FIG. 35

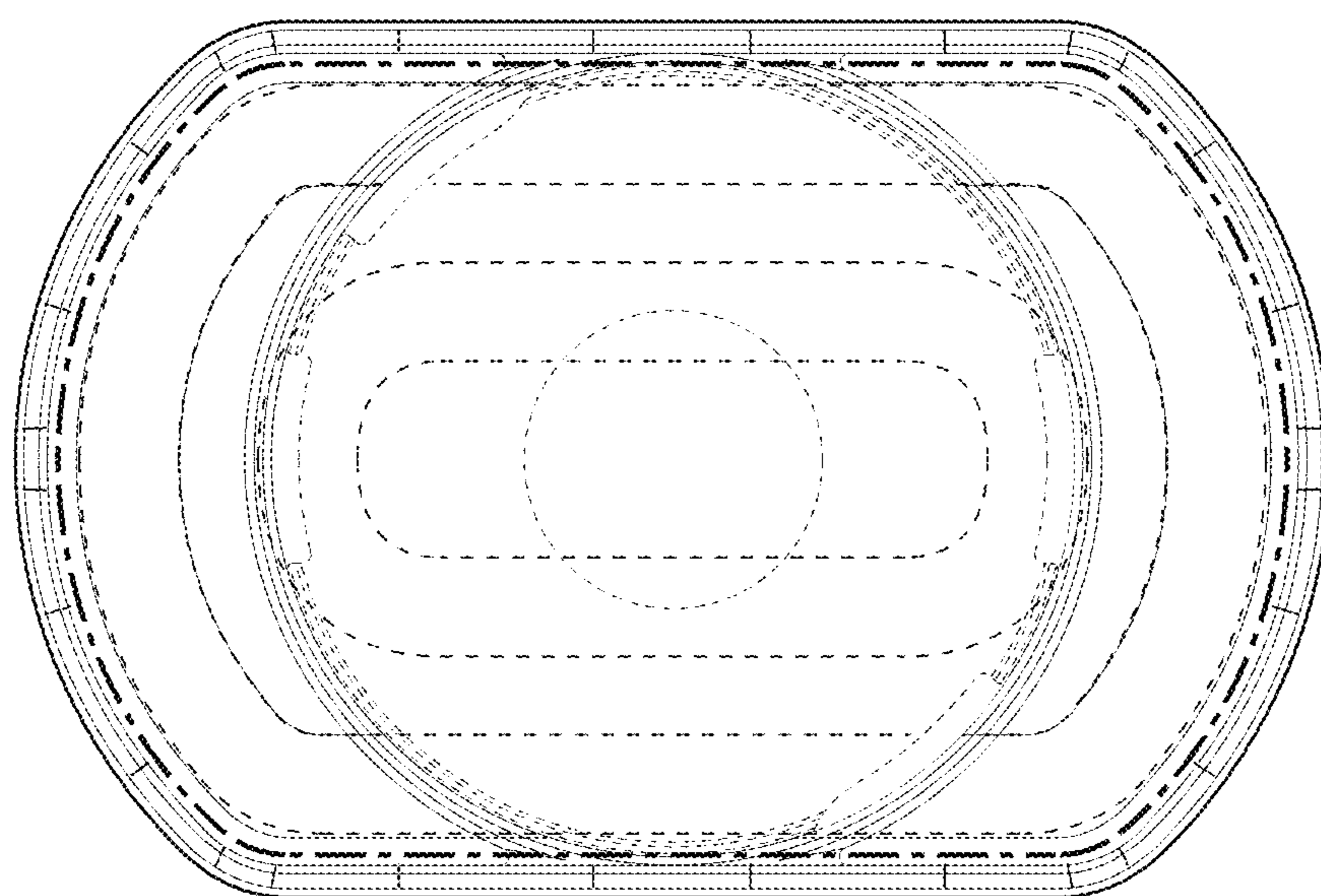


FIG. 36

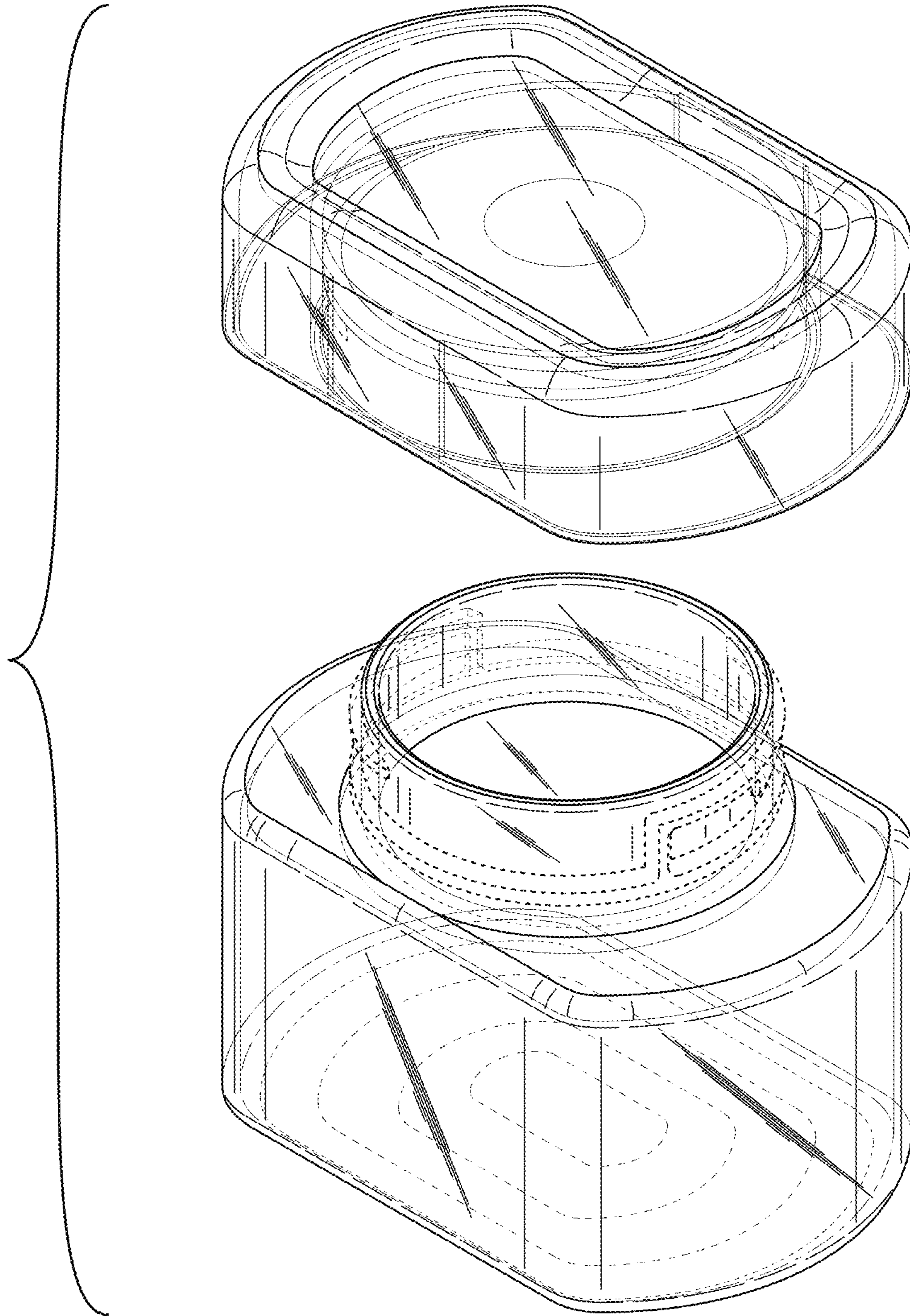


FIG. 37

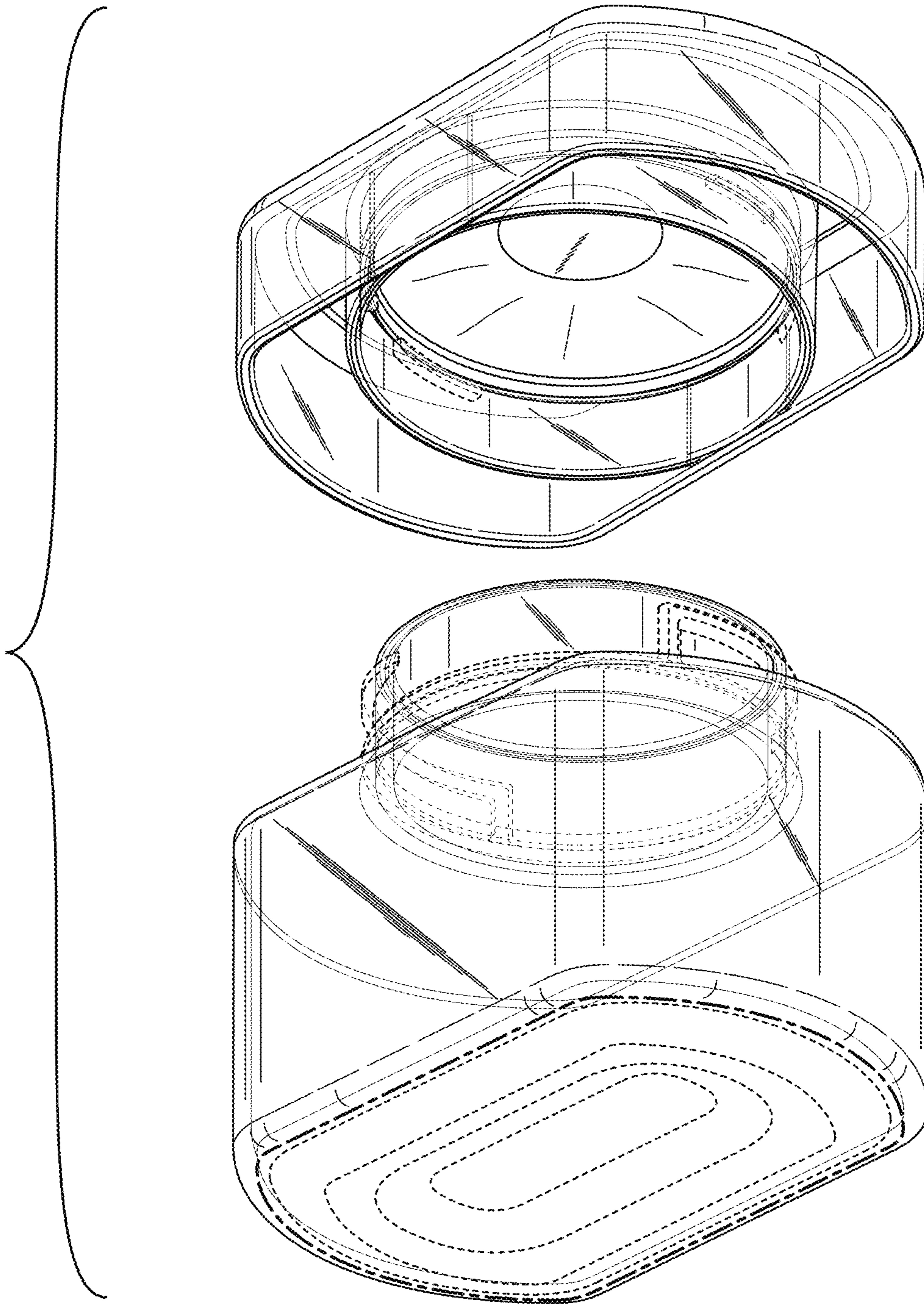


FIG. 38

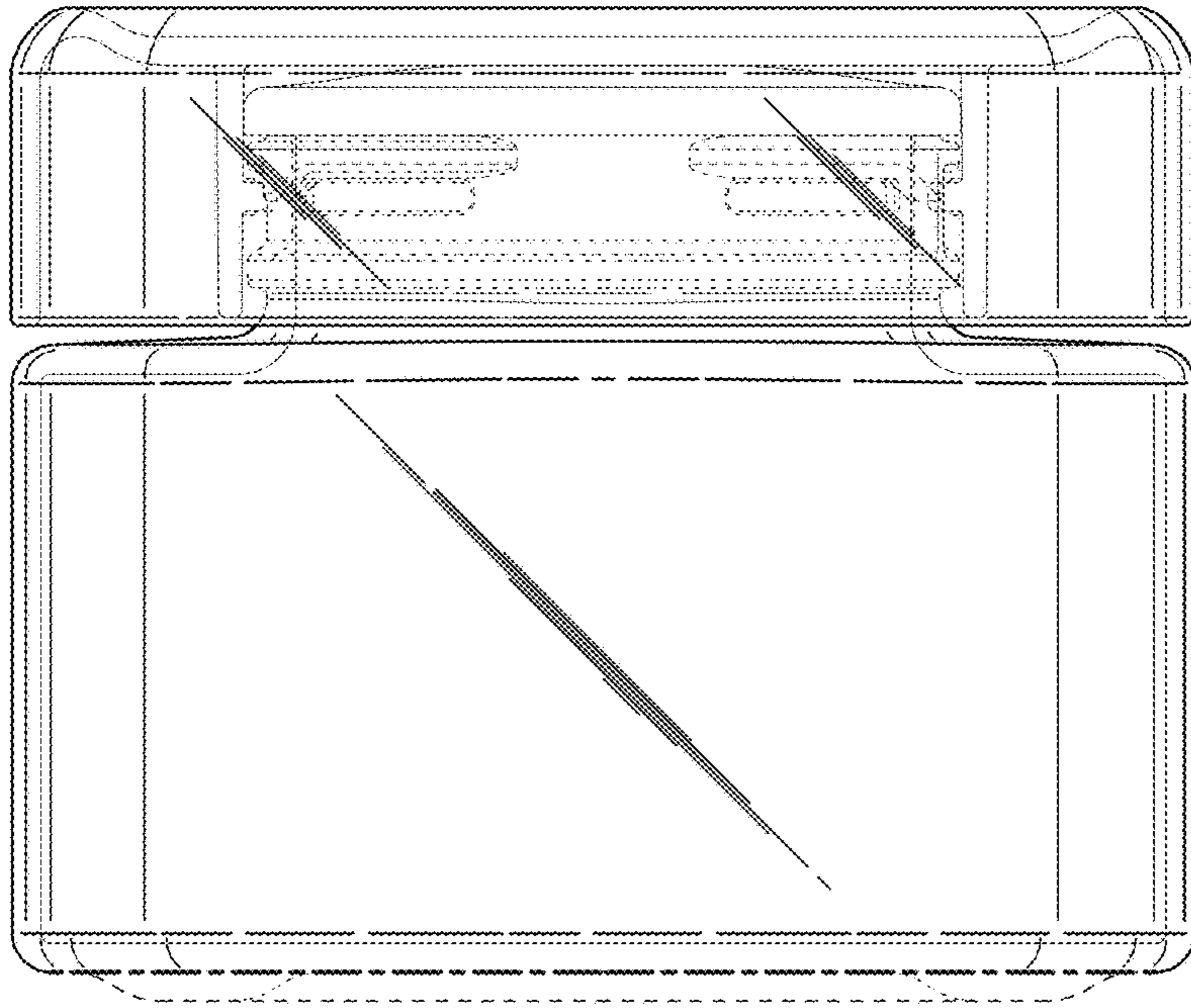


FIG. 39

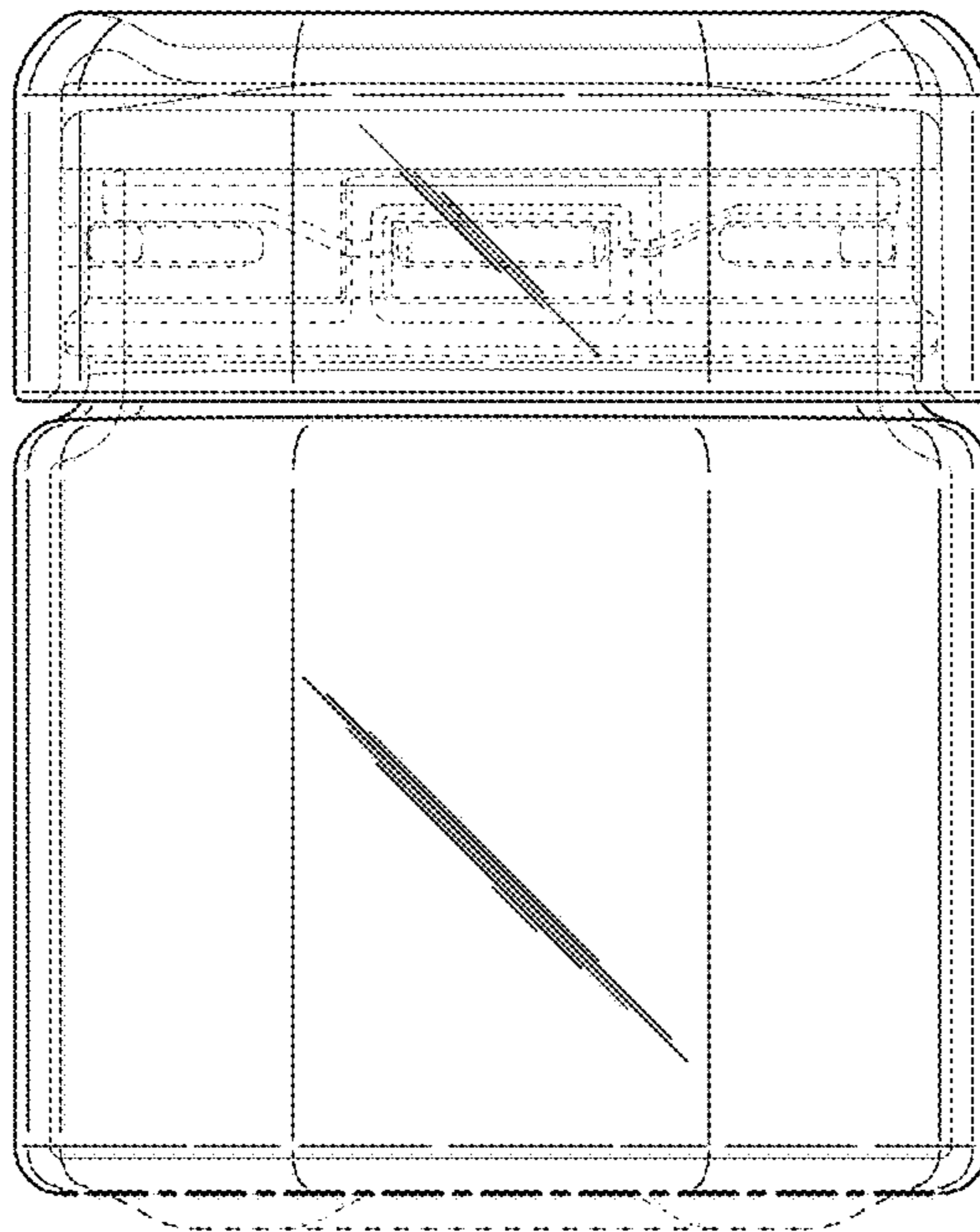


FIG. 40

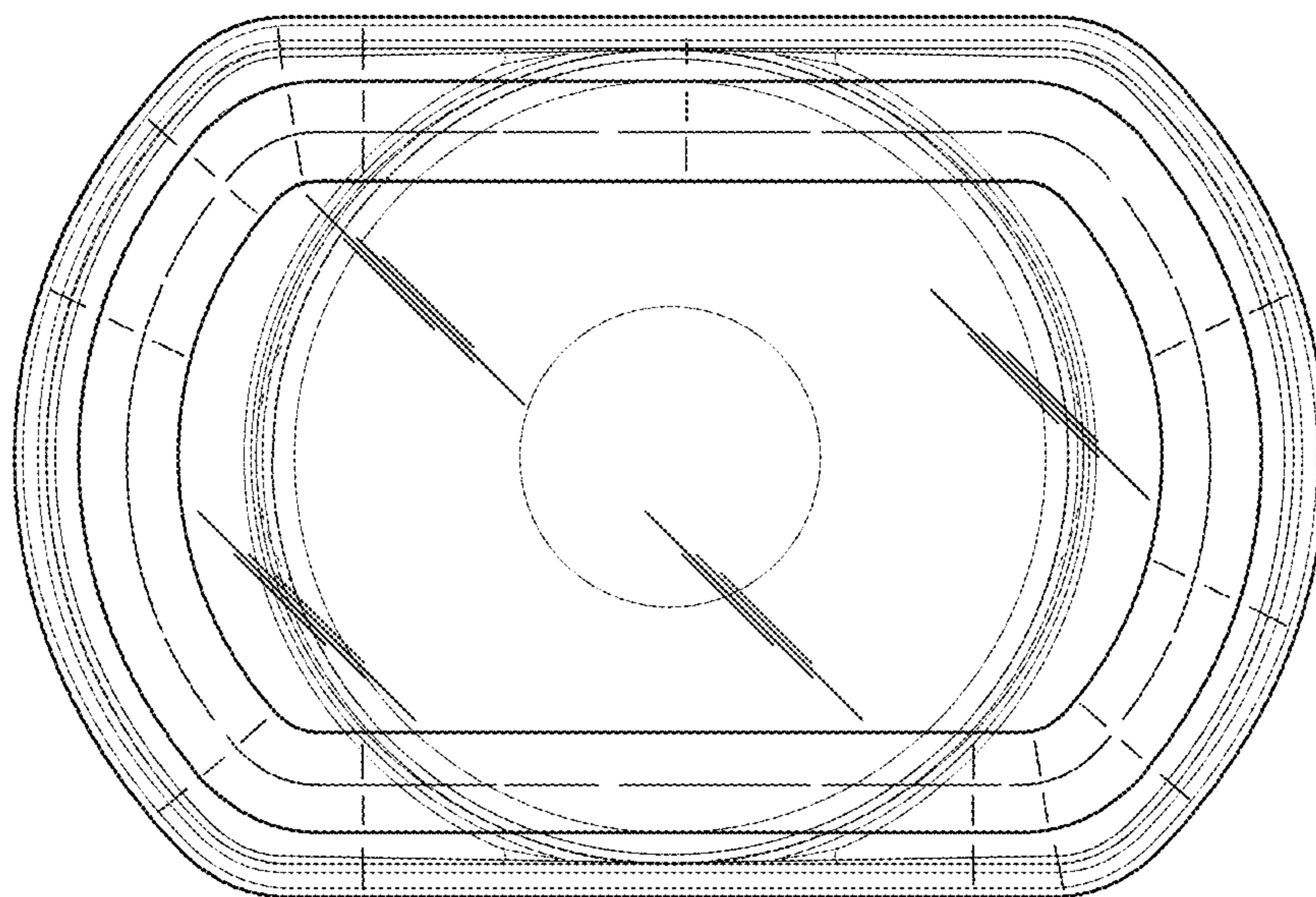


FIG. 41

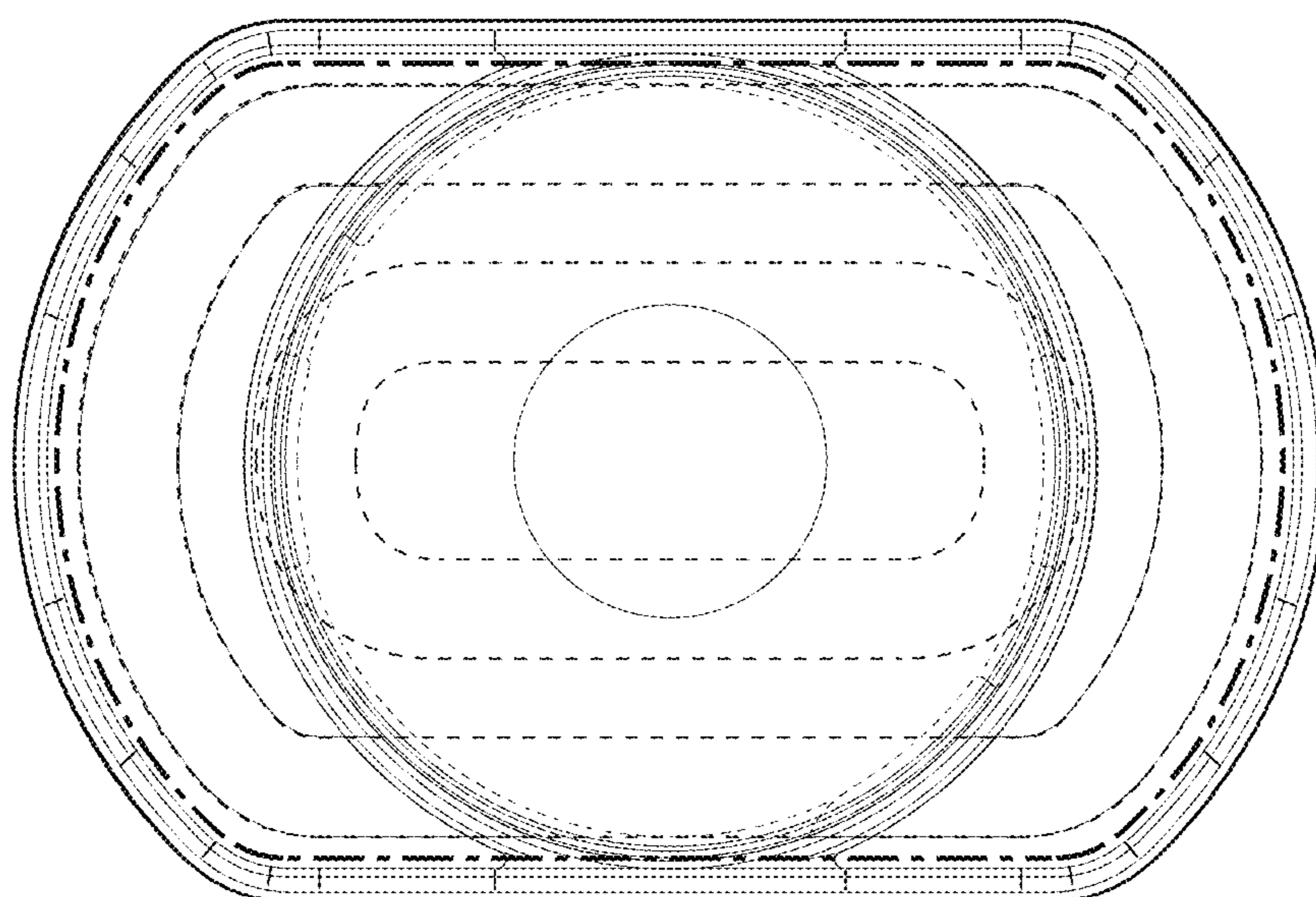


FIG. 42

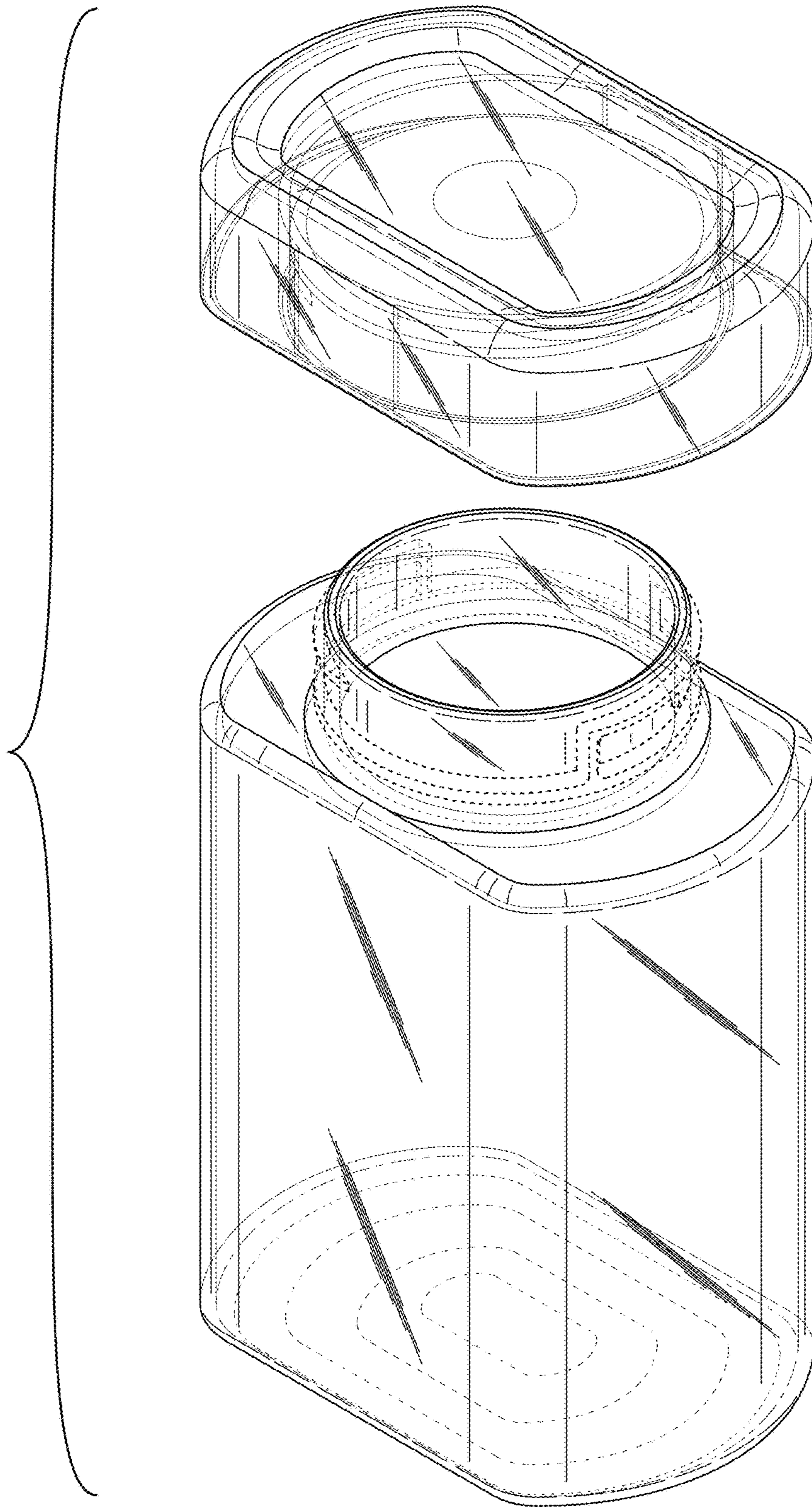


FIG. 43

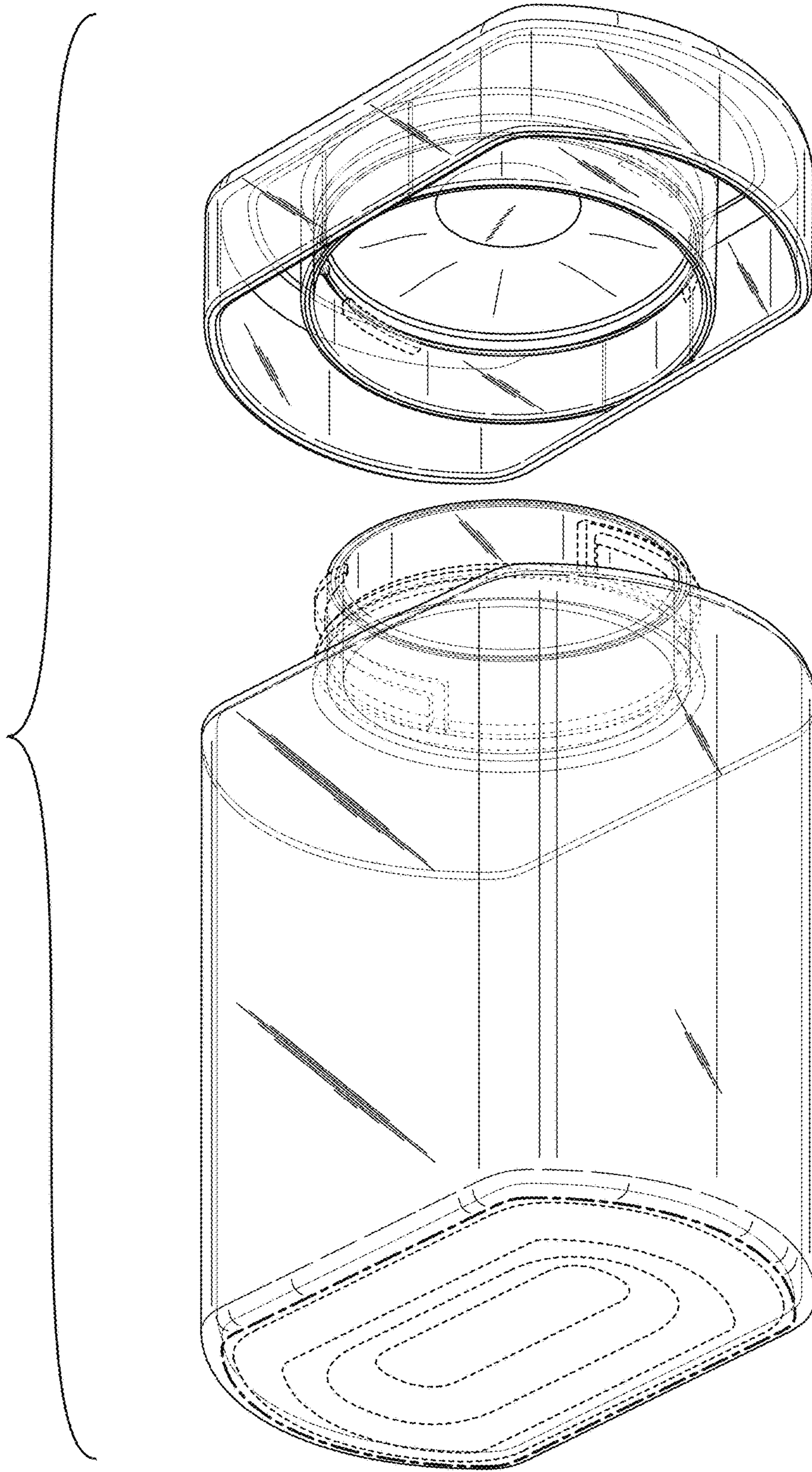


FIG. 44

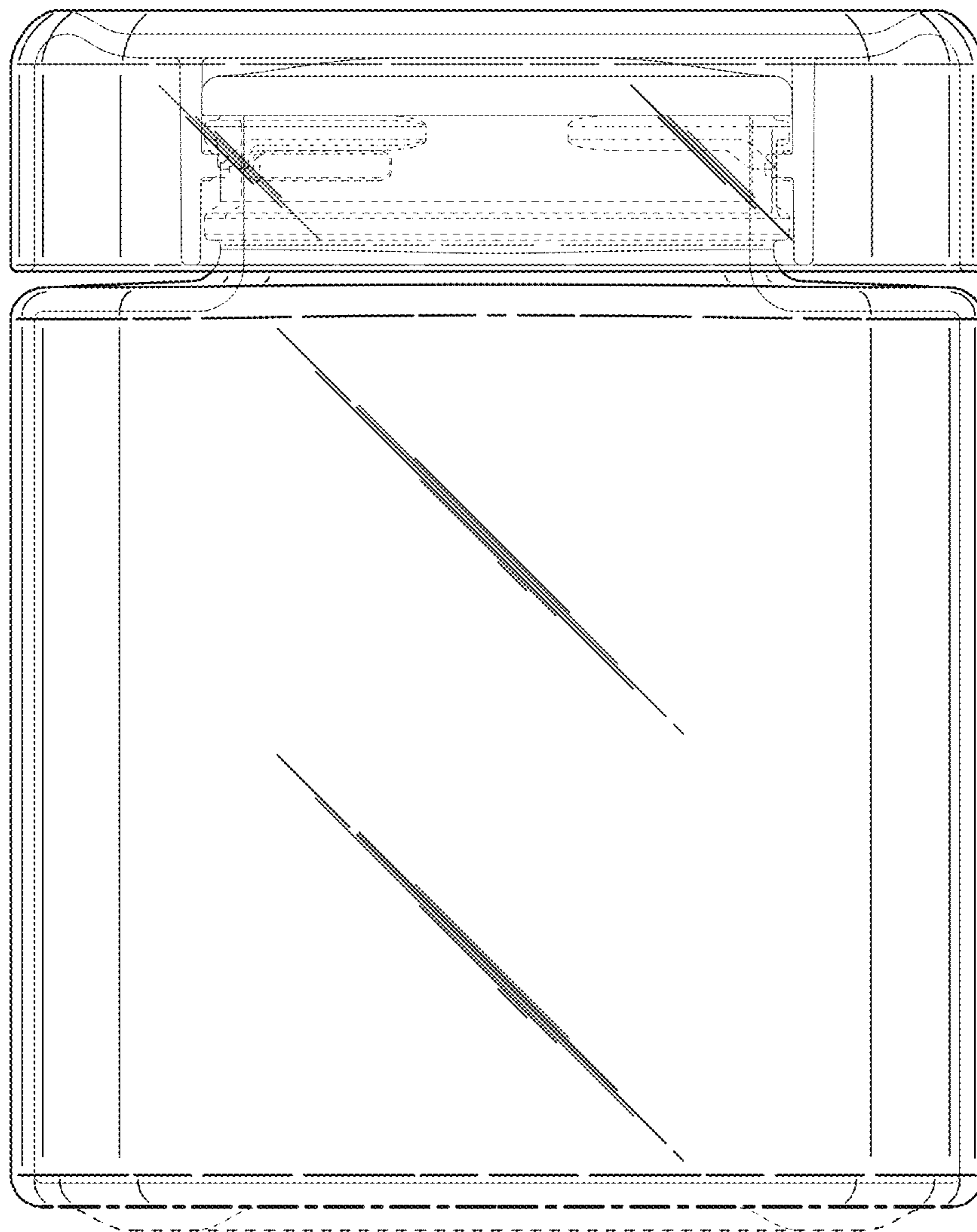


FIG. 45

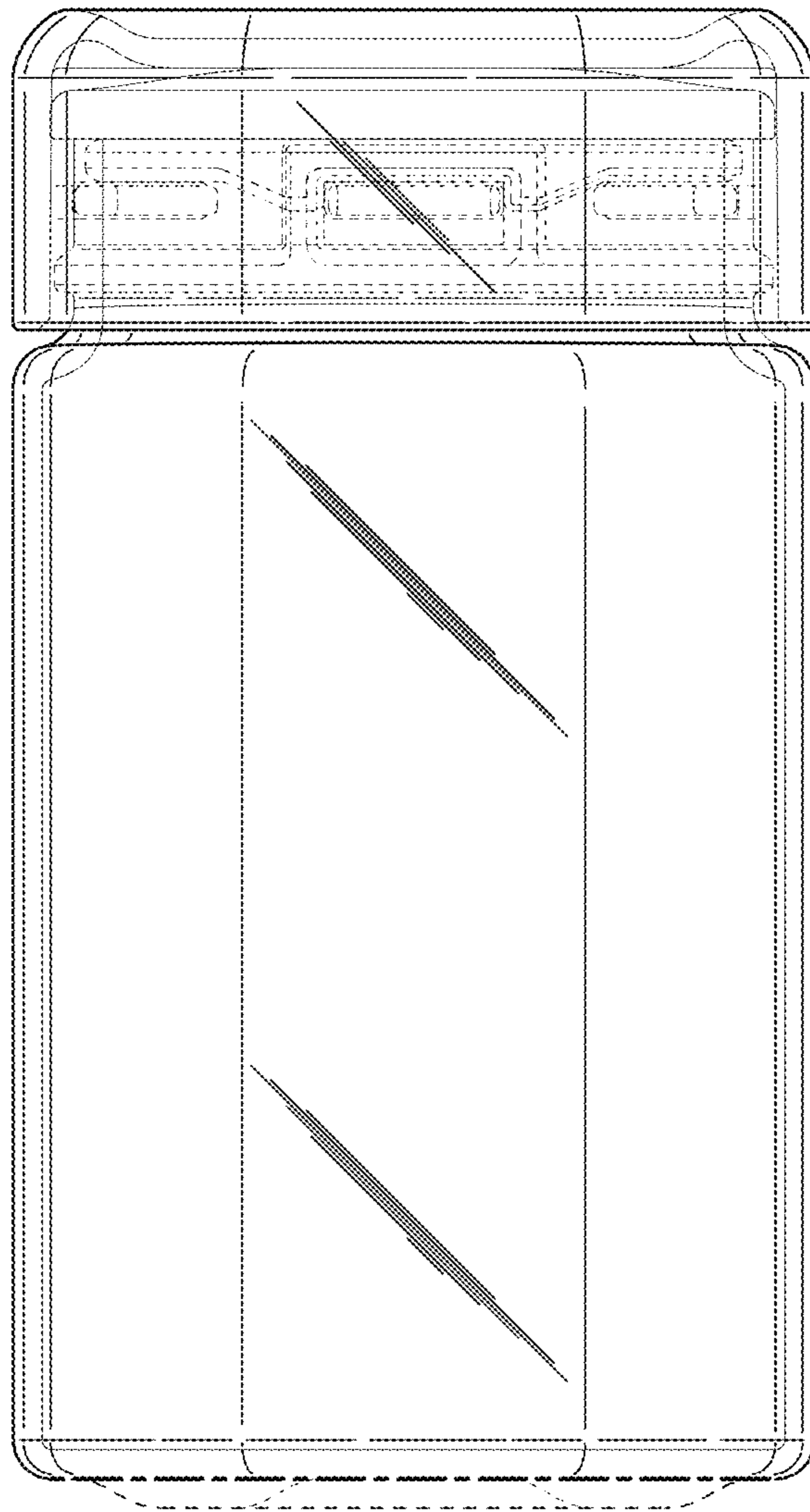


FIG. 46

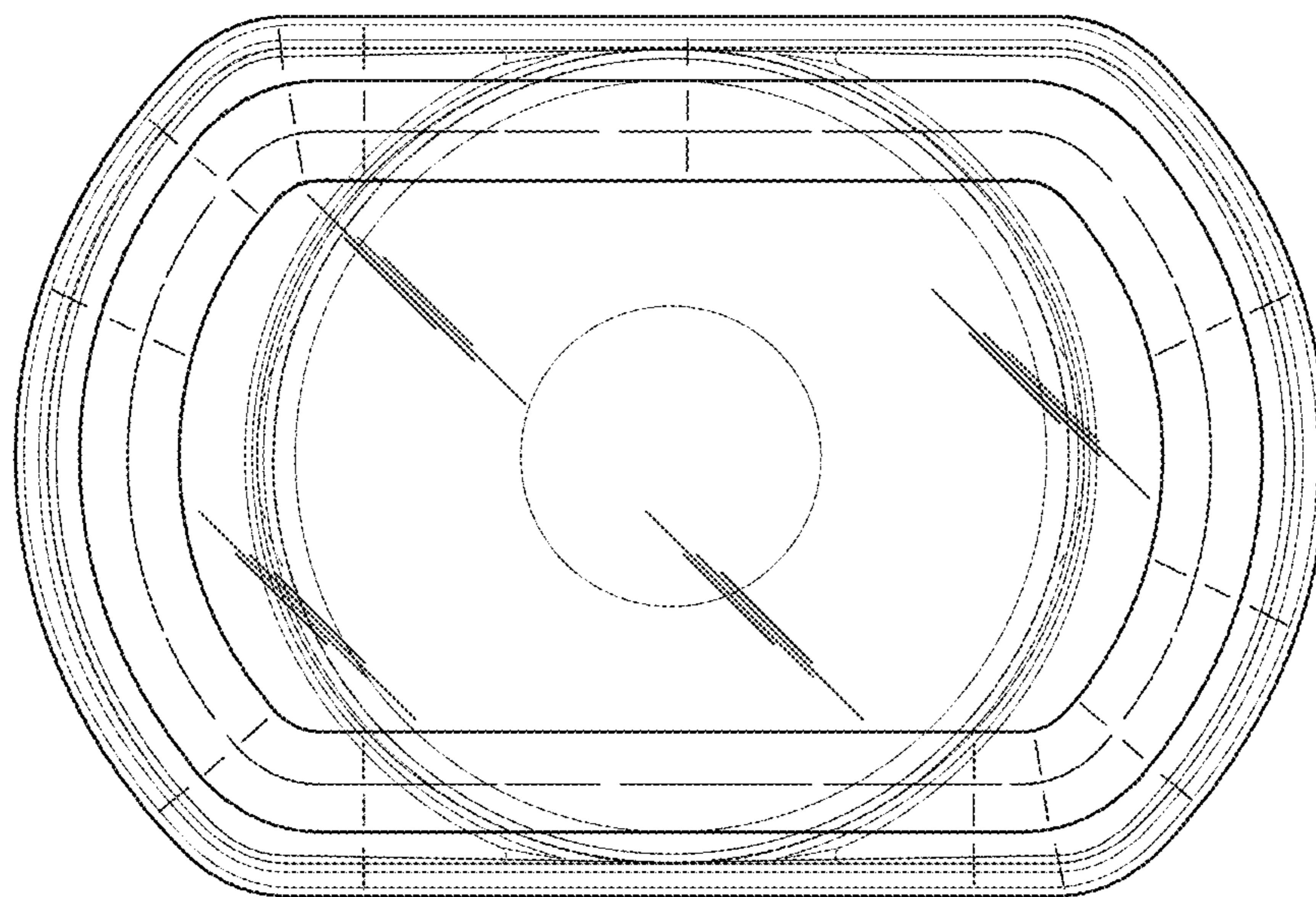


FIG. 47

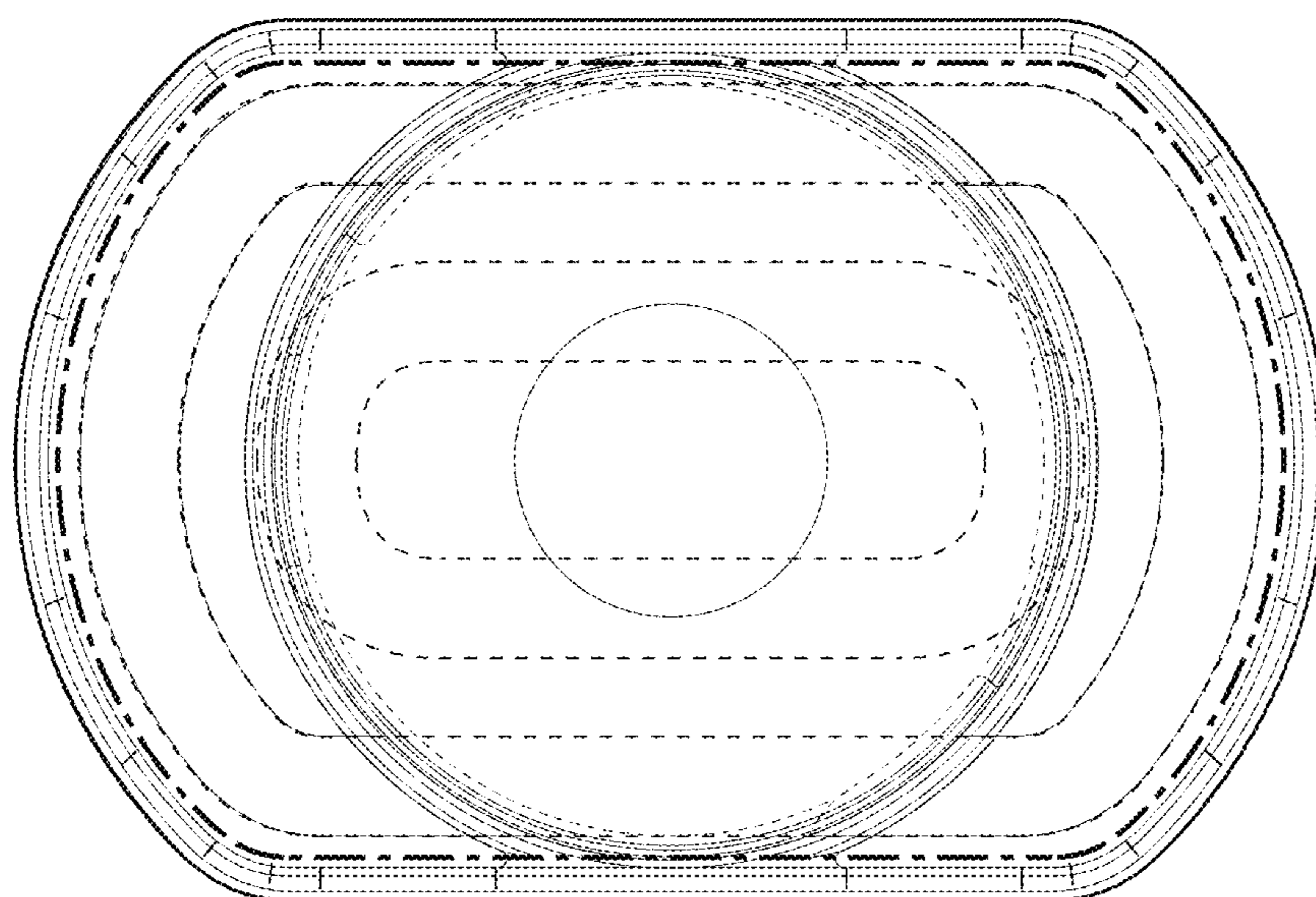


FIG. 48

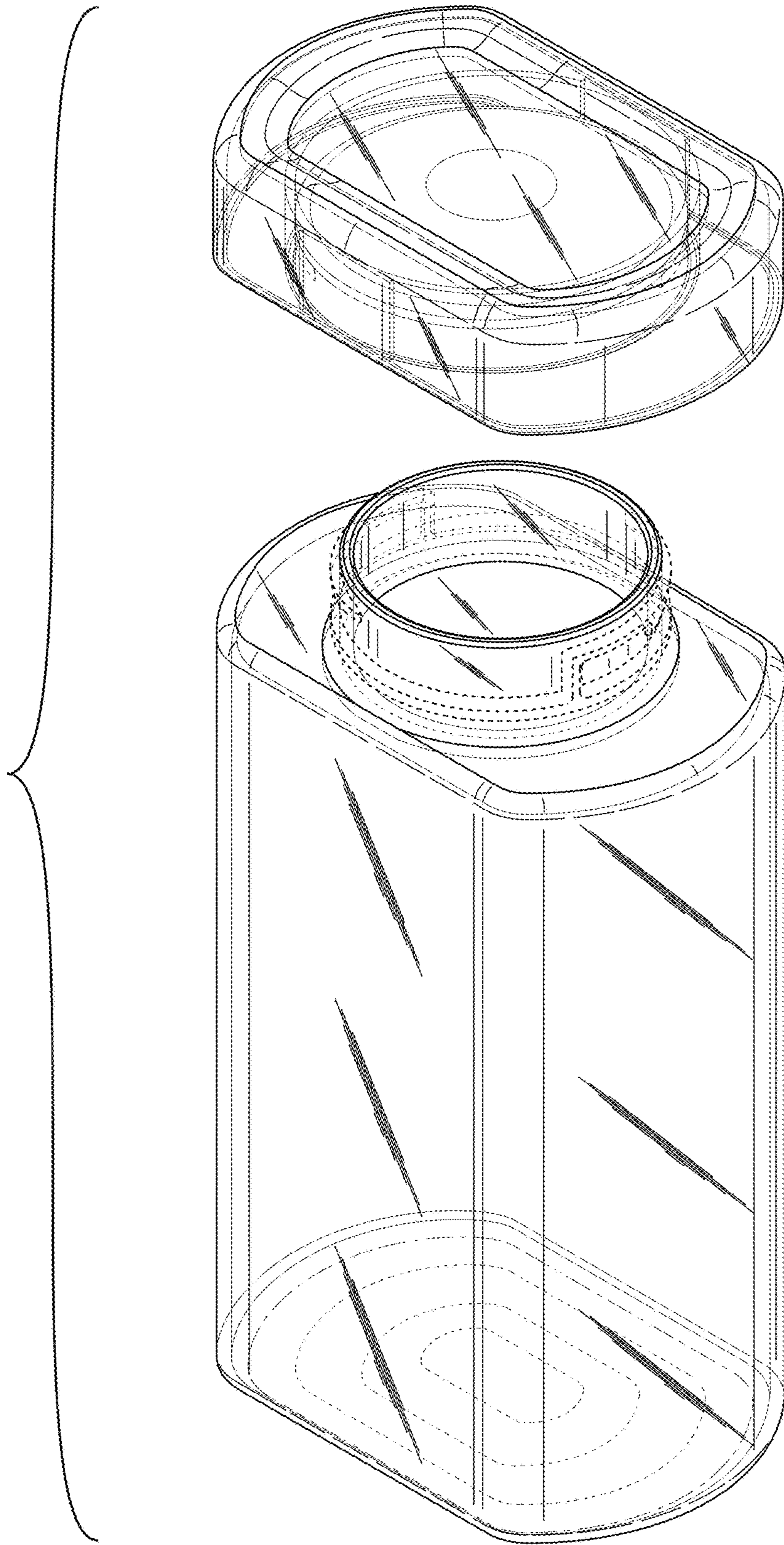


FIG. 49

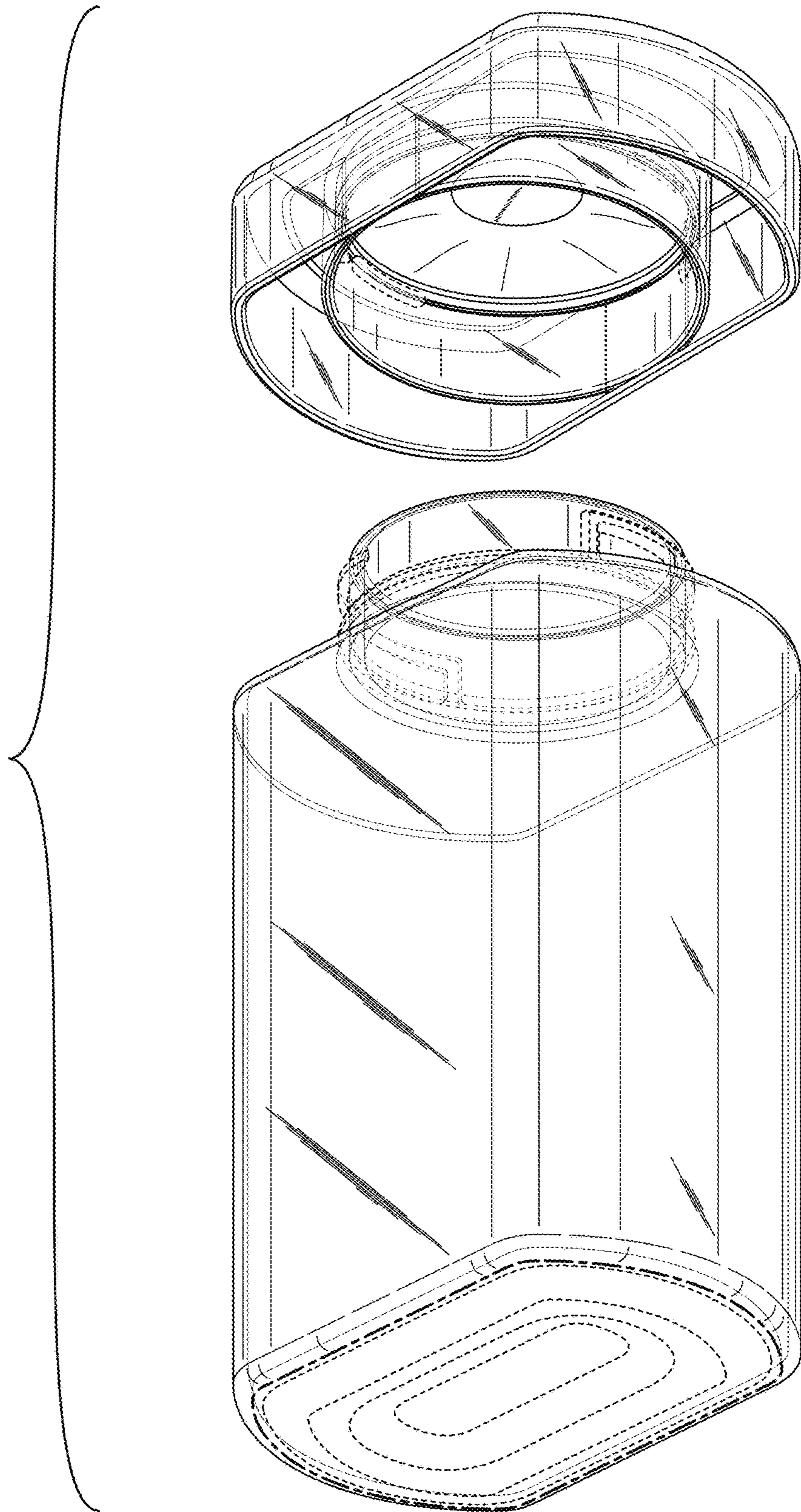


FIG. 50

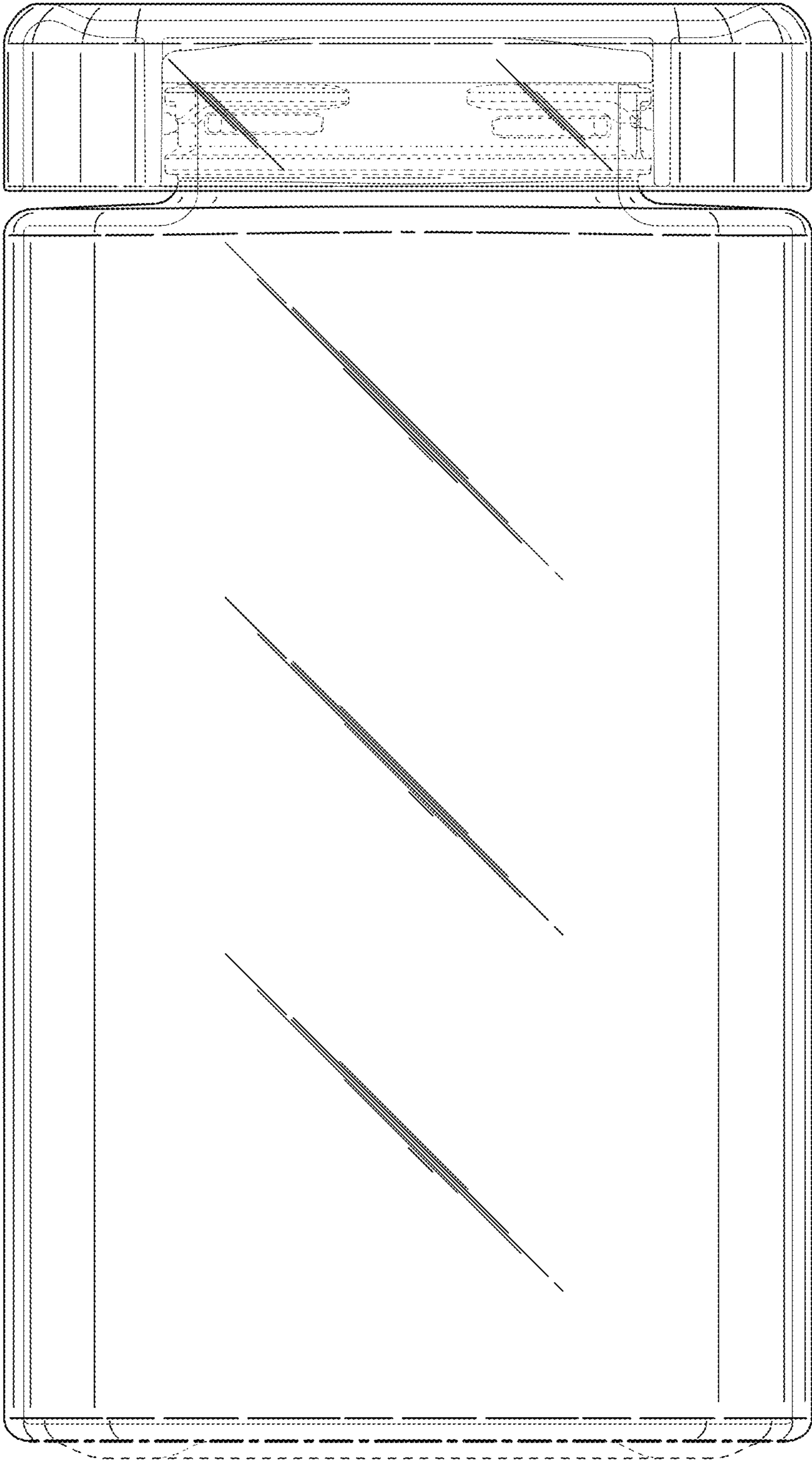


FIG. 51

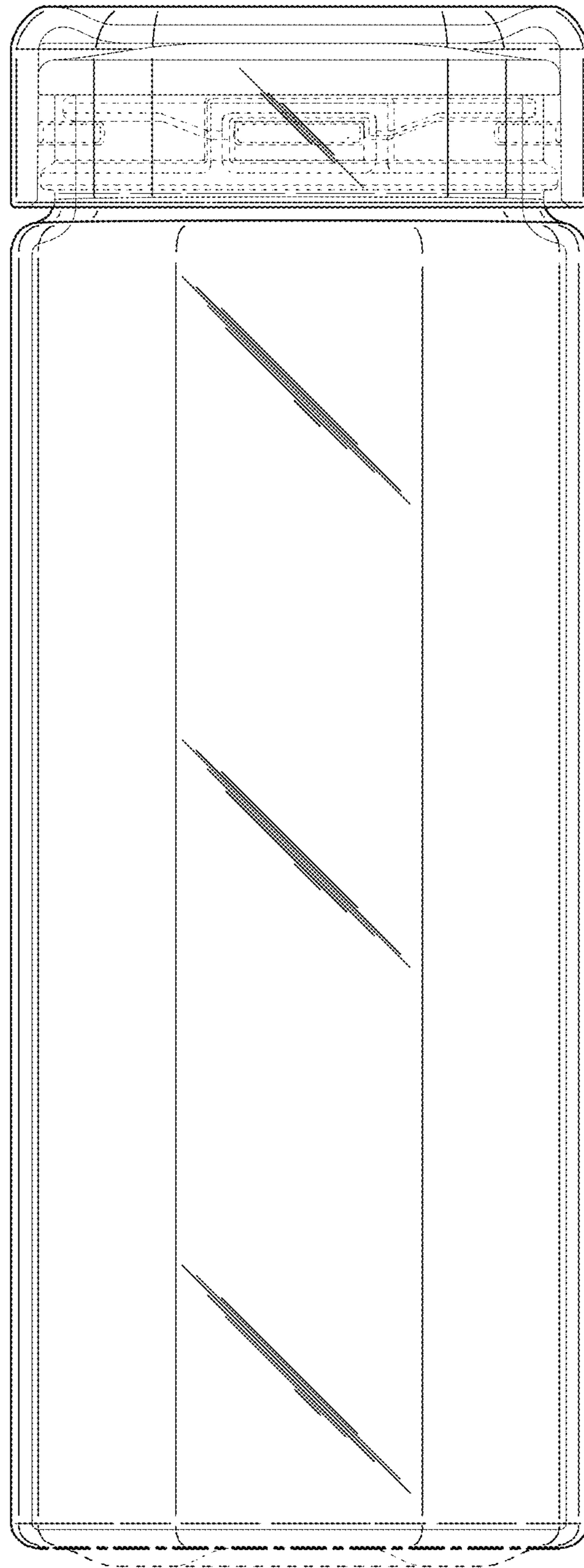


FIG. 52

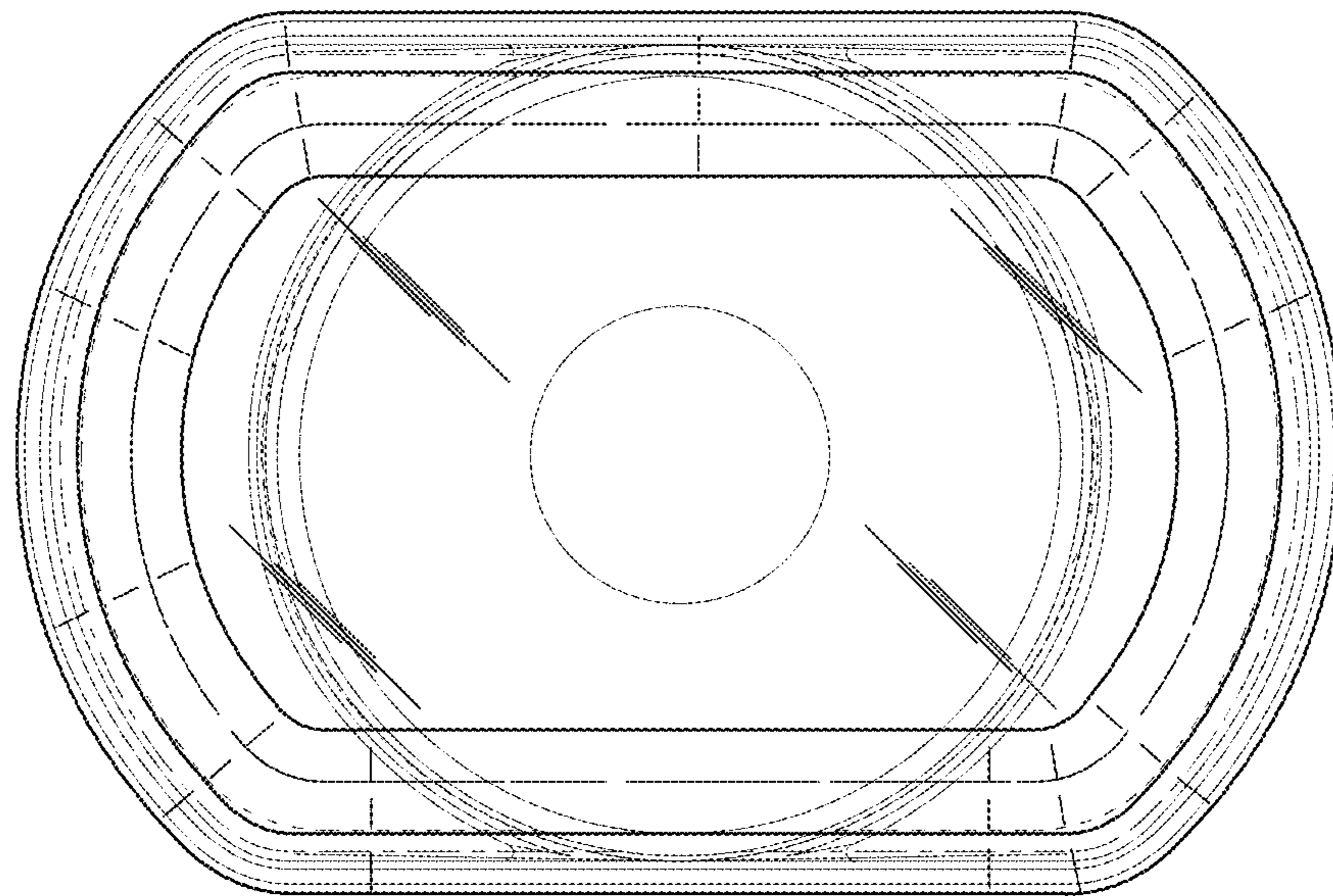


FIG. 53

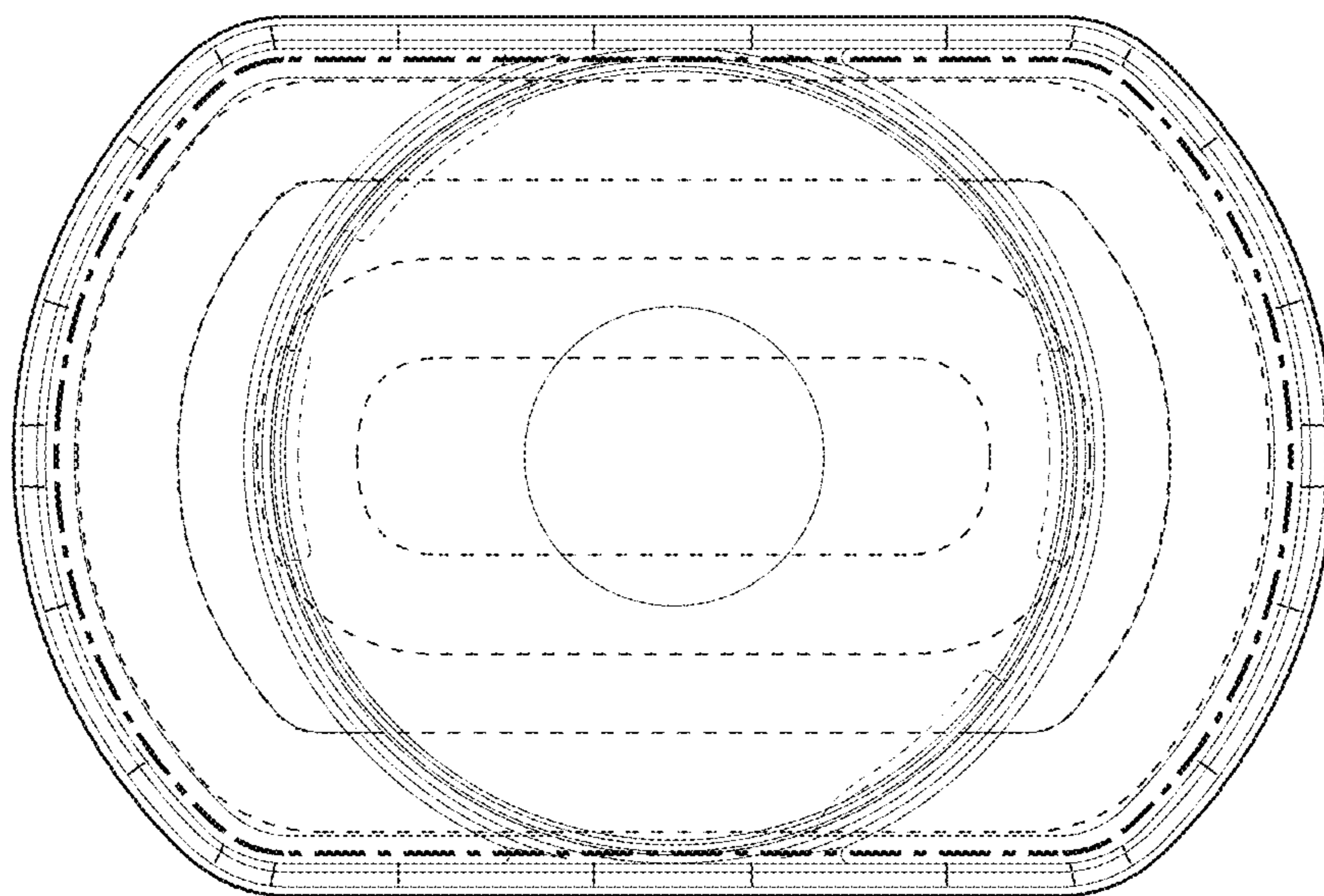


FIG. 54