



US00D837058S

(12) **United States Design Patent** (10) **Patent No.:** **US D837,058 S**
Miller et al. (45) **Date of Patent:** **** Jan. 1, 2019**

(54) **BOTTLE**

(71) Applicant: **CVS Pharmacy, Inc.**, Woonsocket, RI (US)

(72) Inventors: **Michael David Miller**, Tewksbury, MA (US); **Jacquelyn Hui-Yan Wan**, Manchester, NH (US); **Bennett P. Daley**, Somerville, MA (US); **Peter Rezac**, Sterling, MA (US); **Timothy Bernard Coker**, Nashua, NH (US); **Ryan Neil Peter Hall**, Clinton, MA (US); **Timothy Andrew Vanderpoel**, Hudson, MA (US)

(73) Assignee: **CVS Pharmacy, Inc.**, Woonsocket, RI (US)

(**) Term: **15 Years**

(21) Appl. No.: **29/631,270**

(22) Filed: **Dec. 28, 2017**

Related U.S. Application Data

(63) Continuation of application No. 29/589,131, filed on Dec. 28, 2016, now Pat. No. Des. 815,540, which is a continuation of application No. 29/538,981, filed on Sep. 10, 2015, now Pat. No. Des. 780,589.

(51) **LOC (11) Cl.** **09-01**

(52) **U.S. Cl.**
USPC **D9/560; D9/574**

(58) **Field of Classification Search**
USPC D9/516, 530, 541, 543, 544, 546, 559, D9/560, 563, 572, 575, 715, 719, 770; D7/300, 601, 602, 605, 619.1
CPC B65D 1/02; B65D 1/0207; B65D 1/0223; B65D 1/14; B65D 2501/0081
See application file for complete search history.

(56) **References Cited**

U.S. PATENT DOCUMENTS

D132,180 S	4/1942	Treys
D225,211 S	11/1972	Sackler et al.
4,056,209 A	11/1977	Winkler et al.
4,093,103 A	6/1978	Mumford
4,098,430 A	7/1978	Mattheis et al.
4,133,449 A	1/1979	Ostrowsky
D267,076 S	11/1982	Hurtig
D270,331 S	8/1983	Benson
4,412,625 A	11/1983	Zander
4,420,083 A	12/1983	Baustin
4,494,665 A	1/1985	Lehmann
4,564,124 A	1/1986	Burton
5,193,032 A	3/1993	Hirth

(Continued)

Primary Examiner — Ian Simmons

Assistant Examiner — Keith Frank

(74) *Attorney, Agent, or Firm* — Patent Law Works LLP

(57) **CLAIM**

The ornamental design for a bottle, as shown and described.

DESCRIPTION

FIG. 1 is an isometric view of a bottle showing our new design;

FIG. 2 is a rear elevation view thereof;

FIG. 3 is a front elevation view thereof;

FIG. 4 is a first side elevation view thereof;

FIG. 5 is a second side elevation view thereof;

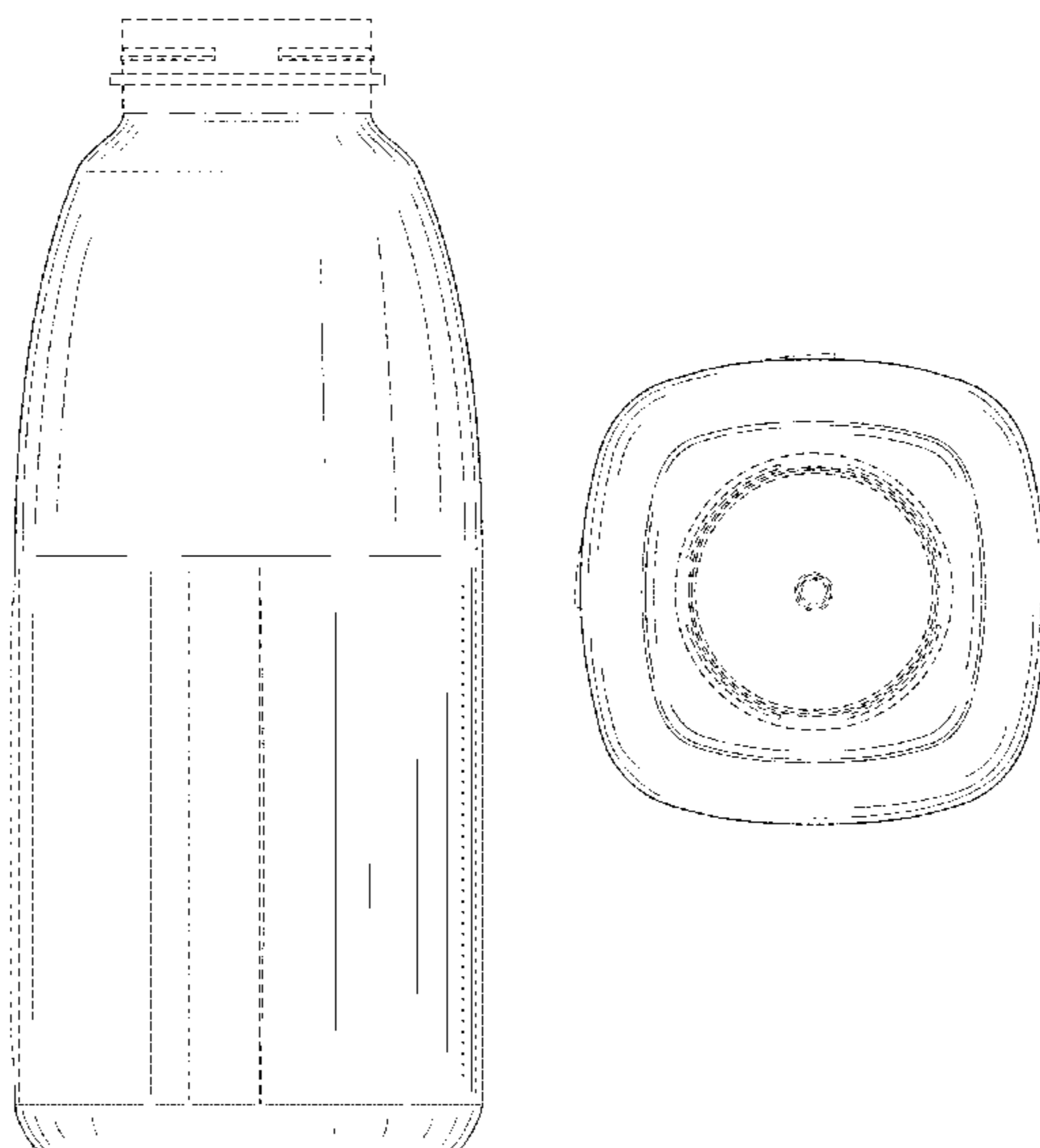
FIG. 6 is a top plan view thereof; and,

FIG. 7 is a bottom plan view thereof.

The evenly spaced dash-dash broken lines in the drawings illustrate the portions of the bottle that form no part of the claimed design.

The dot-dash broken lines in the drawings represent an unclaimed boundary line. Portions of the bottle above the dot-dash broken line and free of surface shading form no part of the claimed design.

1 Claim, 6 Drawing Sheets



(56)

References Cited

U.S. PATENT DOCUMENTS

5,437,382 A 8/1995 Gluckman
 5,484,089 A 1/1996 Picerno
 D383,981 S 9/1997 Macauley et al.
 5,752,615 A 5/1998 Hofmann et al.
 5,816,441 A 10/1998 Farside
 D426,161 S 6/2000 Hestehave et al.
 D451,812 S 12/2001 Colonna de Giovellina
 D461,720 S * 8/2002 Peltier D9/560
 6,478,155 B2 11/2002 Bunyan
 D490,707 S 6/2004 Mataya
 D491,069 S 6/2004 Heliste et al.
 D511,943 S * 11/2005 Betras D7/624.2
 D512,276 S 12/2005 Betras
 D512,830 S 12/2005 Higgins
 7,100,797 B2 9/2006 Kahn et al.
 D540,179 S 4/2007 Adler et al.
 D540,690 S 4/2007 Adler et al.
 D542,661 S 5/2007 Adler et al.
 D552,468 S 10/2007 Seum et al.
 7,311,205 B2 12/2007 Adler et al.
 D558,583 S 1/2008 Langbein et al.
 D572,593 S 7/2008 Adler et al.
 D574,717 S 8/2008 Adler et al.
 7,413,082 B2 8/2008 Adler et al.
 D581,275 S 11/2008 Adler et al.
 D583,242 S 12/2008 Adler et al.
 D590,721 S 4/2009 Martinez De San Vicente
 D594,336 S 6/2009 Adler
 D597,841 S 8/2009 Adler et al.
 D604,502 S 11/2009 Lee et al.
 D606,409 S 12/2009 Rica
 D606,737 S 12/2009 Lee et al.
 7,628,427 B2 12/2009 Adler et al.
 D609,819 S 2/2010 Tomes et al.
 7,661,533 B2 2/2010 Adler et al.
 7,665,611 B2 2/2010 Koch
 D613,495 S 4/2010 Foreman
 D614,036 S * 4/2010 Gedanke D9/520
 7,735,684 B2 6/2010 Coe et al.
 D619,473 S 7/2010 Biesecker et al.
 D623,765 S 9/2010 Tomes et al.
 D632,968 S * 2/2011 Hughes D9/542
 7,878,350 B2 2/2011 Ramoundos
 D636,894 S 4/2011 Tomes et al.

D637,428 S 5/2011 Yuyama et al.
 7,942,451 B2 5/2011 Adler
 D639,669 S 6/2011 Adler et al.
 7,980,391 B2 7/2011 Adler et al.
 D642,789 S 8/2011 Cooper
 D645,356 S * 9/2011 Wheaton D9/454
 8,020,415 B2 9/2011 Corbin et al.
 8,025,314 B2 9/2011 Adler
 8,056,724 B2 11/2011 Estep
 D650,912 S 12/2011 Tomes et al.
 D655,182 S * 3/2012 Kraft D9/560
 D664,350 S 7/2012 Corbin et al.
 8,281,929 B2 10/2012 Franks et al.
 8,322,567 B2 12/2012 Giraud
 D684,354 S 6/2013 Boggeano
 D696,585 S * 12/2013 Manne D9/500
 8,631,935 B2 1/2014 Tomes et al.
 8,665,584 B2 3/2014 Pence
 8,678,189 B2 3/2014 Niggel et al.
 8,689,978 B2 4/2014 Flood et al.
 8,727,122 B2 5/2014 Jacquet et al.
 8,746,452 B2 6/2014 Tomes et al.
 8,746,455 B2 6/2014 Chia et al.
 8,752,705 B2 6/2014 Adler et al.
 8,814,216 B2 8/2014 Estep
 D717,661 S * 11/2014 McIntire D9/560
 8,875,940 B2 11/2014 Danchisin et al.
 D734,159 S 7/2015 Brisson
 D735,046 S * 7/2015 De Lorme D9/560
 D736,641 S 8/2015 Manne et al.
 D739,759 S * 9/2015 Warner D9/560
 D742,242 S * 11/2015 McDaniel D9/553
 D747,971 S * 1/2016 Peacock D9/563
 D758,875 S * 6/2016 Peacock D9/414
 D760,088 S * 6/2016 Kaye D9/516
 D762,480 S * 8/2016 Yourist D9/542
 D777,037 S * 1/2017 Serafin D9/435
 D779,335 S * 2/2017 Chia D9/560
 D784,821 S * 4/2017 Kuzma D9/560
 2004/0089581 A1 5/2004 Dienst
 2007/0170185 A1 7/2007 Hanssen et al.
 2009/0140513 A1 6/2009 Priebe et al.
 2010/0311026 A1 12/2010 Tomes et al.
 2012/0017790 A1 1/2012 Adler
 2013/0021878 A1 1/2013 Harris
 2013/0284636 A1 10/2013 Zhang

* cited by examiner

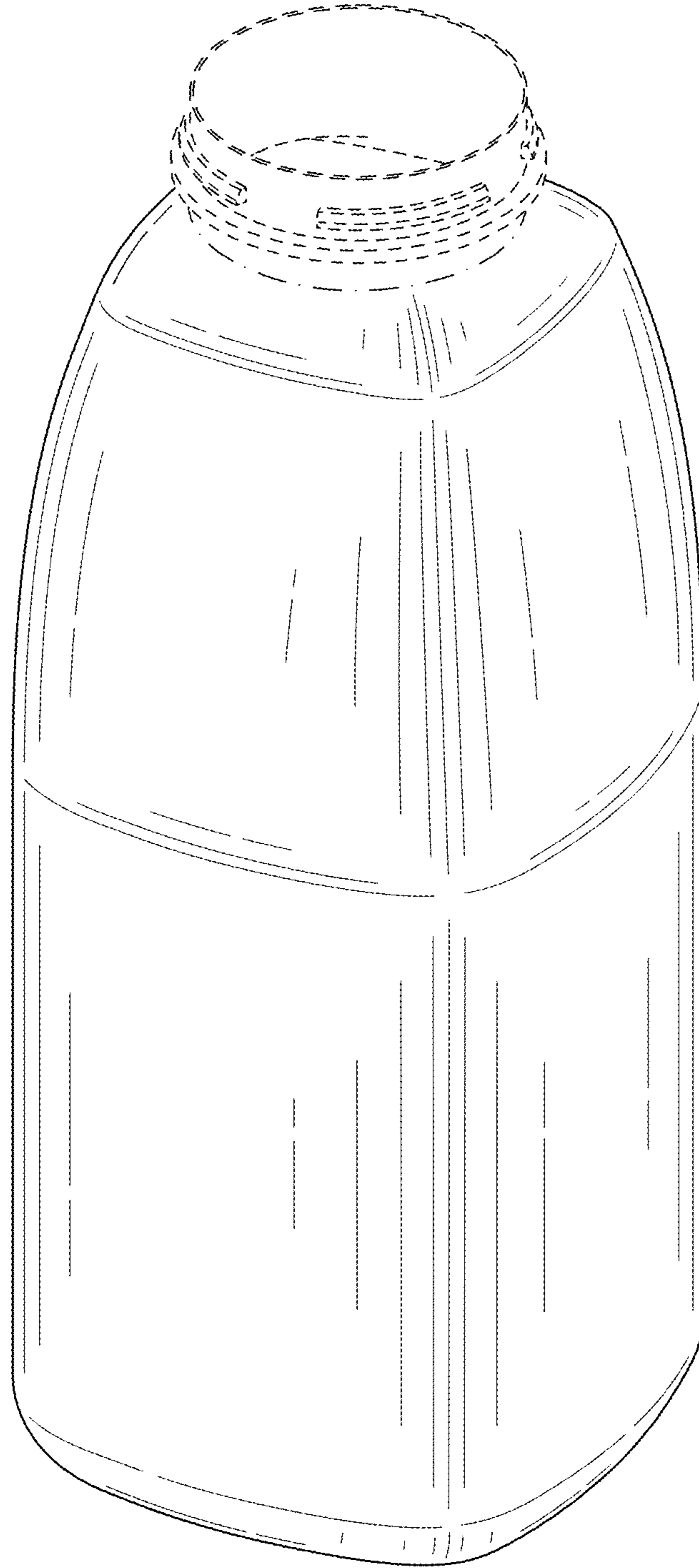


FIG. 1

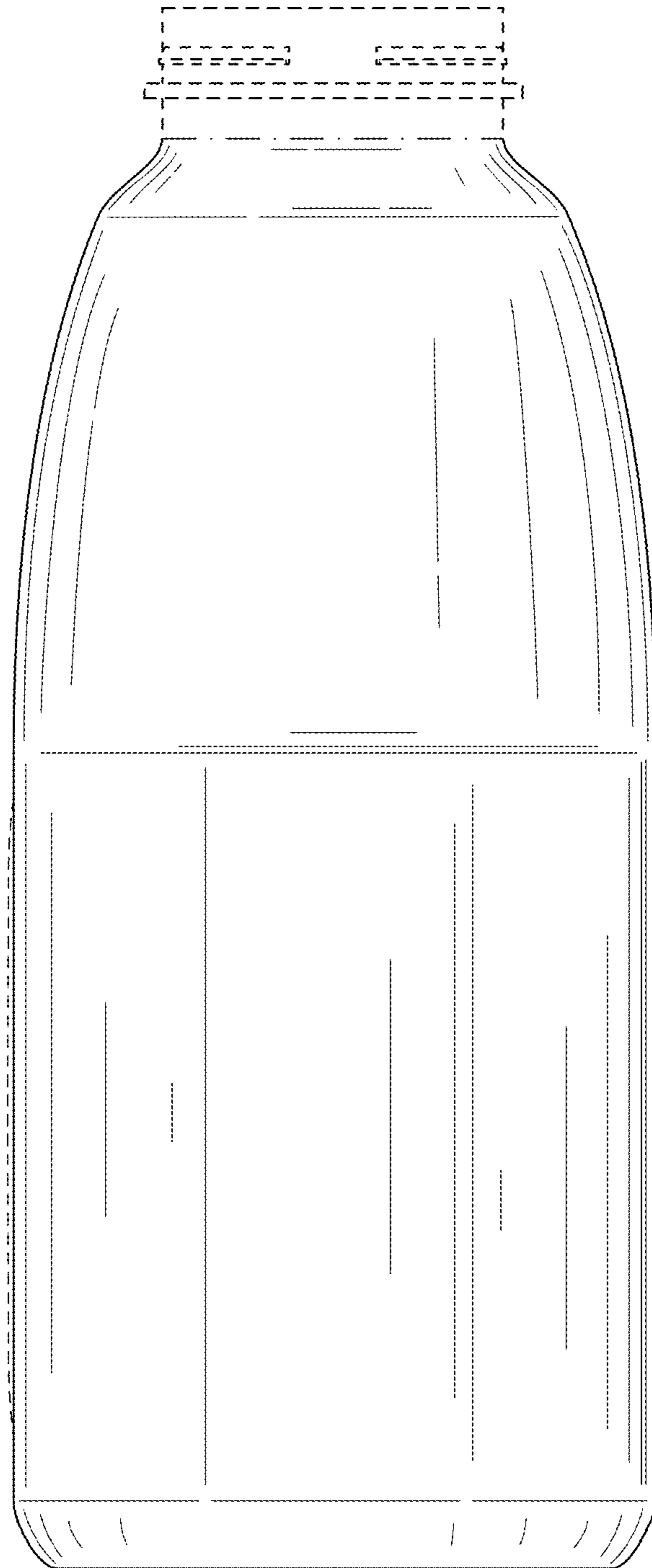


FIG. 2

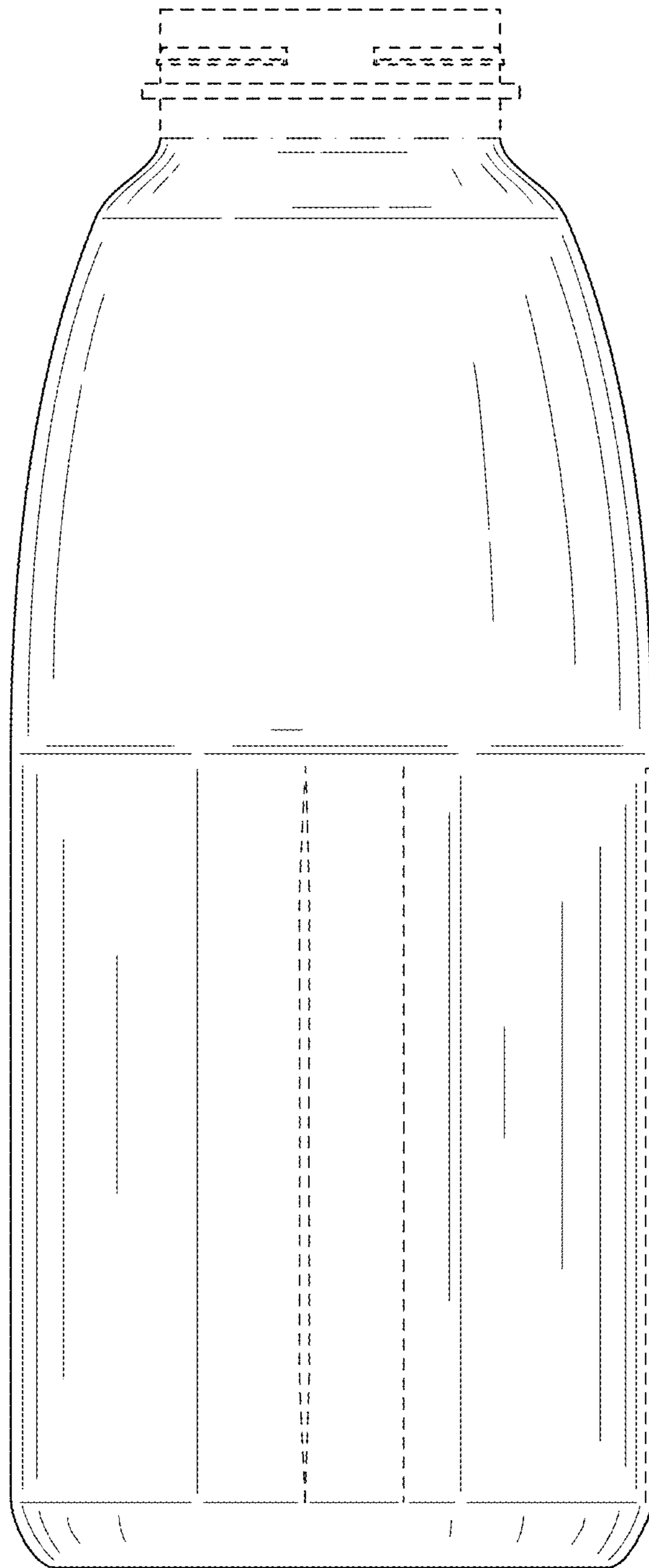


FIG. 3

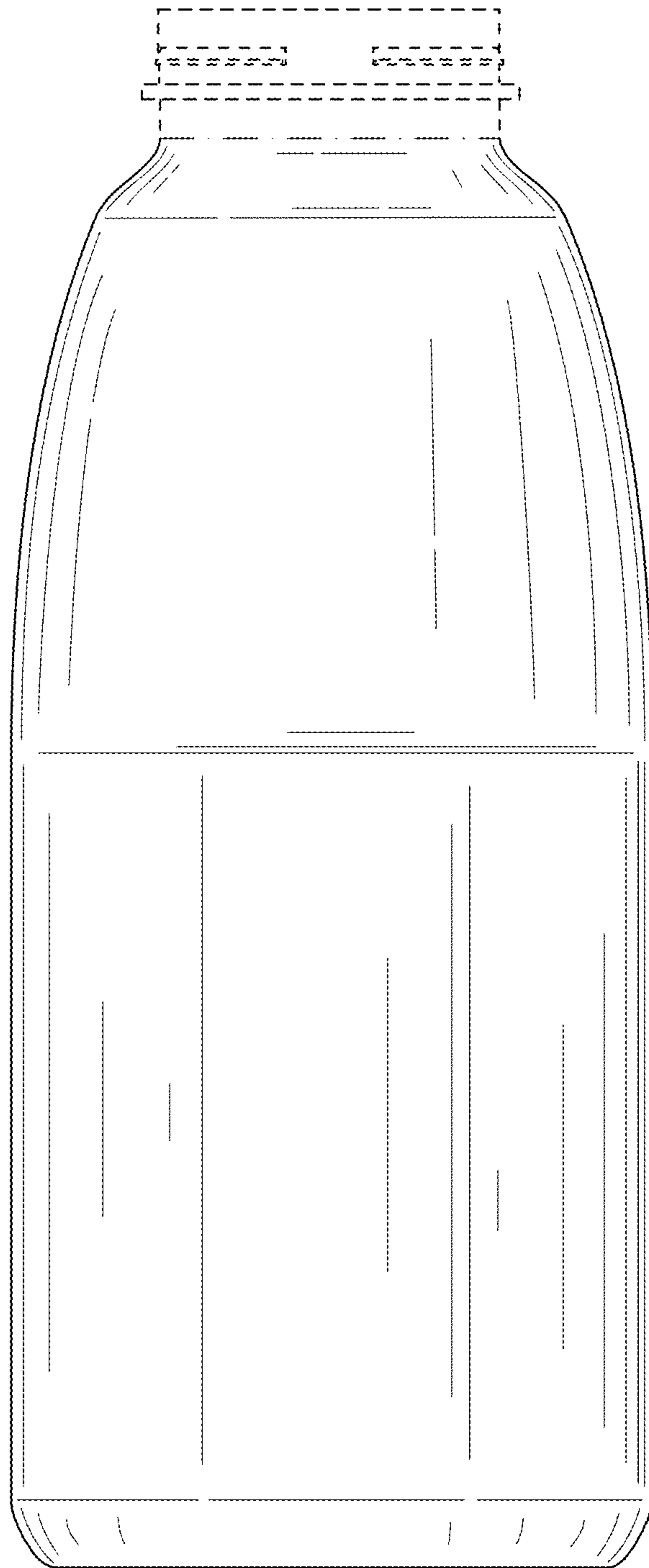


FIG. 4

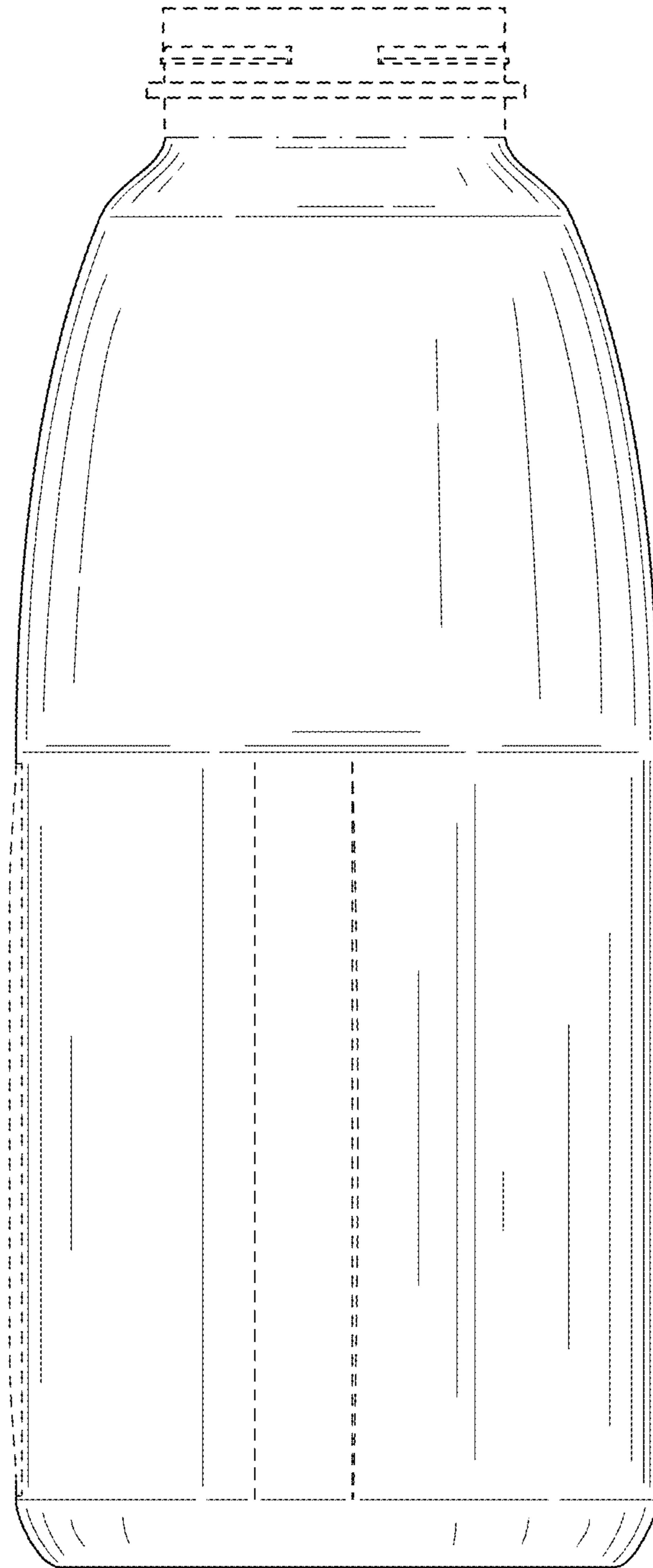


FIG. 5

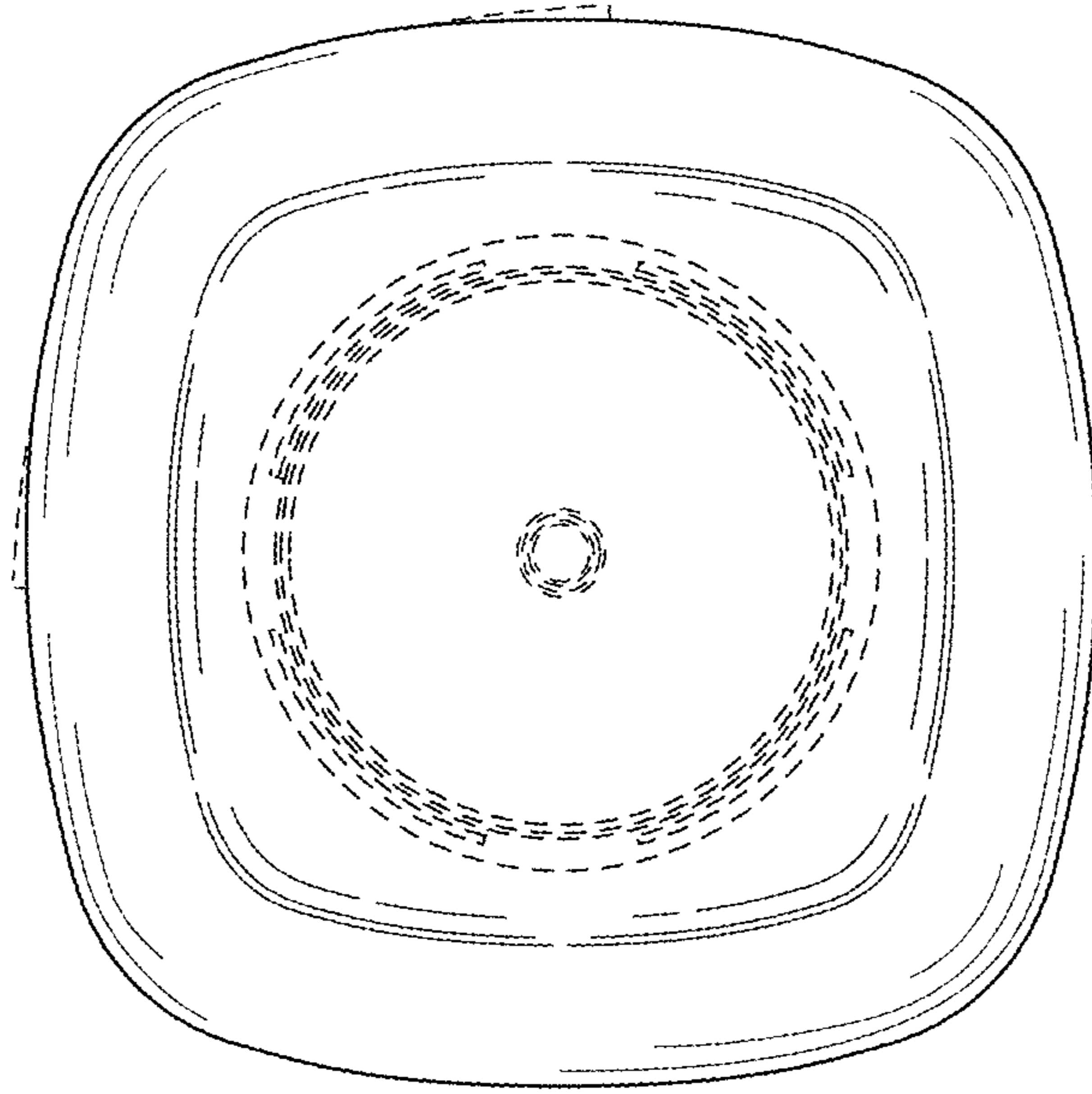


FIG. 6

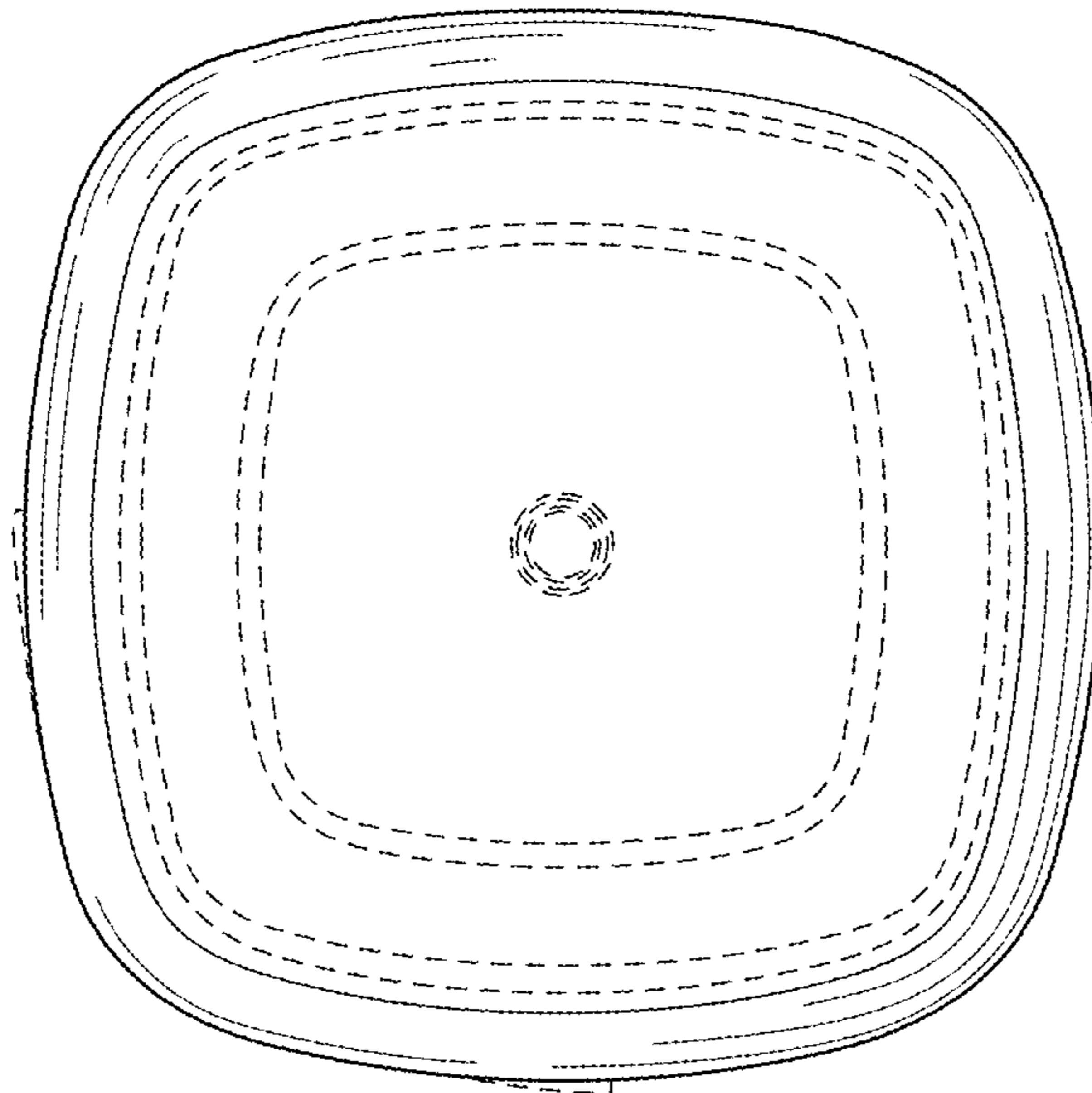


FIG. 7