



US00D837057S

(12) **United States Design Patent**
Zhou

(10) **Patent No.:** **US D837,057 S**
(45) **Date of Patent:** **** Jan. 1, 2019**

(54) **BEVERAGE BOTTLE**

(71) Applicant: **Shenzhen Ganten Food and Drink Co., Ltd**, Shenzhen, Guangdong (CN)

(72) Inventor: **Jingliang Zhou**, Guangdong (CN)

(73) Assignee: **Shenzhen Ganten Food and Drink Co., Ltd**, Shenzhen (CN)

(**) Term: **15 Years**

(21) Appl. No.: **29/623,221**

(22) Filed: **Oct. 24, 2017**

(30) **Foreign Application Priority Data**

Jun. 23, 2017 (CN) 2017 3 0264557

(51) **LOC (11) Cl.** **09-01**

(52) **U.S. Cl.**
USPC **D9/538; D9/552**

(58) **Field of Classification Search**
USPC D7/300–322, 391–396.2, 509–511, 523,
D7/589, 598, 612, 615, 619.1; D9/435,
D9/436, 439, 440, 443, 447, 454, 500,
D9/503–505, 516–575, 763–783;
215/40–55, 316–354, 370–385;
220/574–575

CPC B65D 1/00; B65D 1/02; B65D 1/0223;
B65D 1/023; B65D 1/0276

See application file for complete search history.

(56) **References Cited**

U.S. PATENT DOCUMENTS

D67,294 S * 5/1925 Miller D9/556
D286,984 S * 12/1986 Durand D9/552

D329,383 S * 9/1992 Boucheron D9/529
D532,314 S * 11/2006 Todd D9/552
D576,886 S * 9/2008 Venkataraman D9/550
D683,230 S * 5/2013 Crawford D9/562
D684,864 S * 6/2013 Crawford D9/562
D694,631 S * 12/2013 Crawford D9/516
8,668,100 B2 * 3/2014 Castillo Higareda
B65D 1/0223
215/379
D731,317 S * 6/2015 Li D9/552
D750,966 S * 3/2016 Zhou D9/520
D753,504 S * 4/2016 Miller D9/516
D782,317 S * 3/2017 Zhou D9/520
D782,913 S * 4/2017 Winkels D9/545
D798,722 S * 10/2017 Zhou D9/538
2015/0144585 A1 * 5/2015 Crawford B65D 51/249
215/43

* cited by examiner

Primary Examiner — Cathron C Brooks

Assistant Examiner — Christian P. McLean

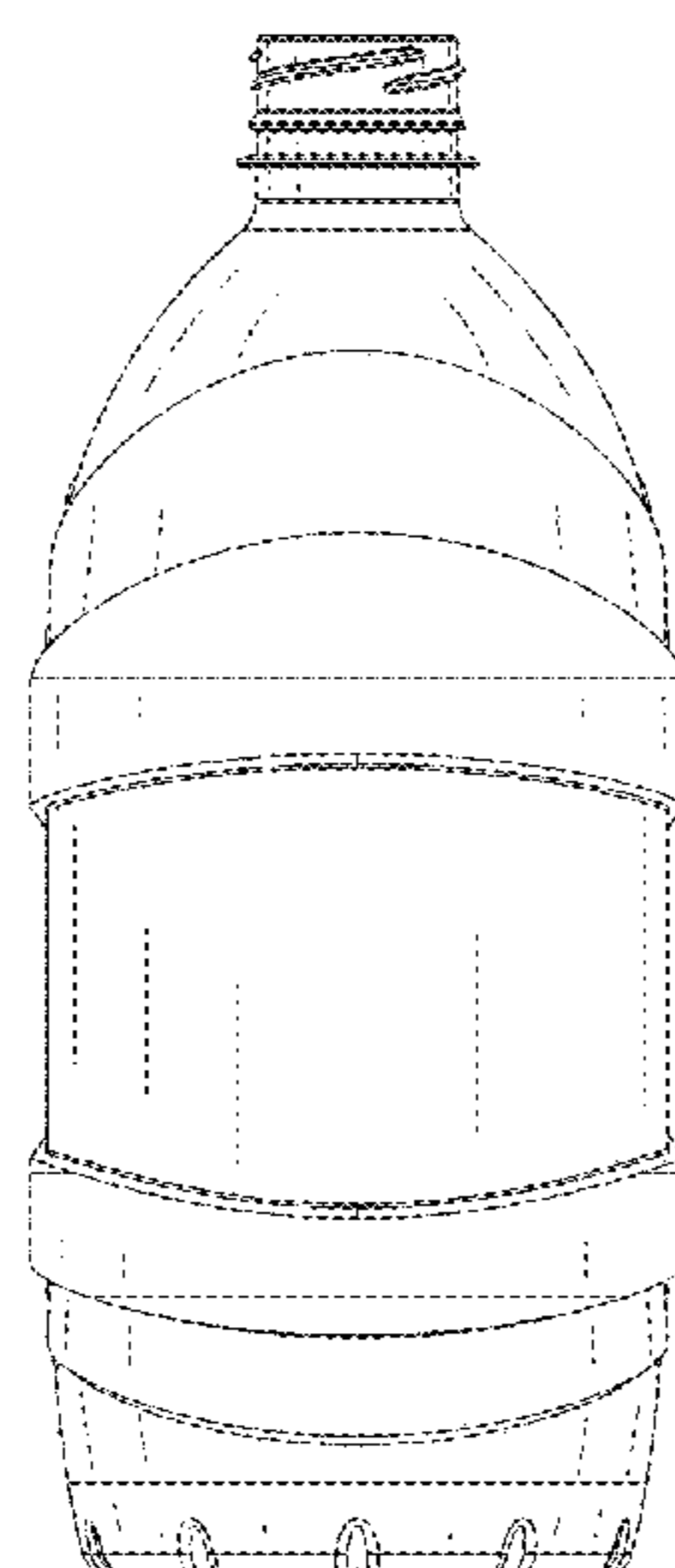
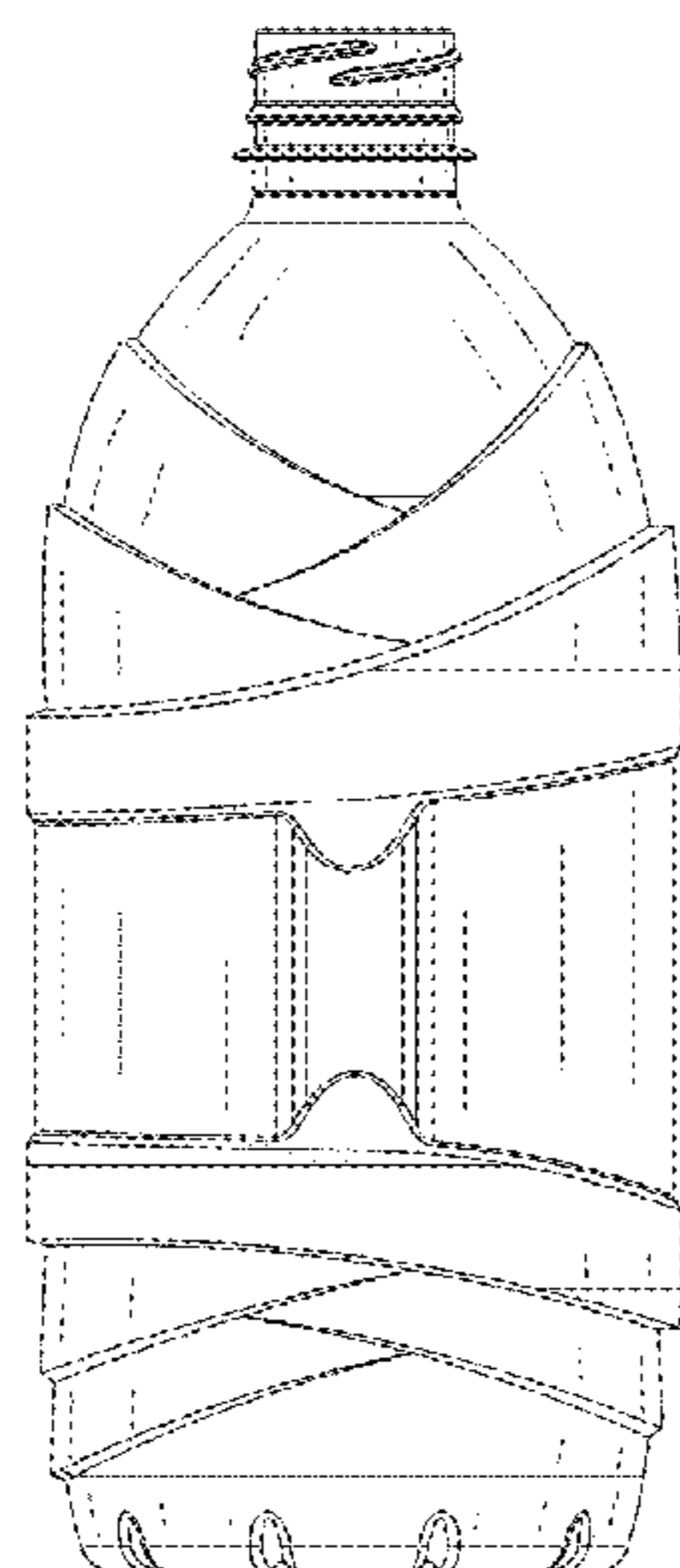
(57) **CLAIM**

The ornamental design for a beverage bottle, as shown and described.

DESCRIPTION

FIG. 1 is a front elevational view of a beverage bottle showing my new design;
FIG. 2 is a rear elevational view thereof;
FIG. 3 is a left side view thereof;
FIG. 4 is a right side view thereof;
FIG. 5 is a top plan view thereof;
FIG. 6 is a bottom plan view thereof;
FIG. 7 is a first perspective view thereof; and,
FIG. 8 is a second perspective view thereof.

1 Claim, 7 Drawing Sheets



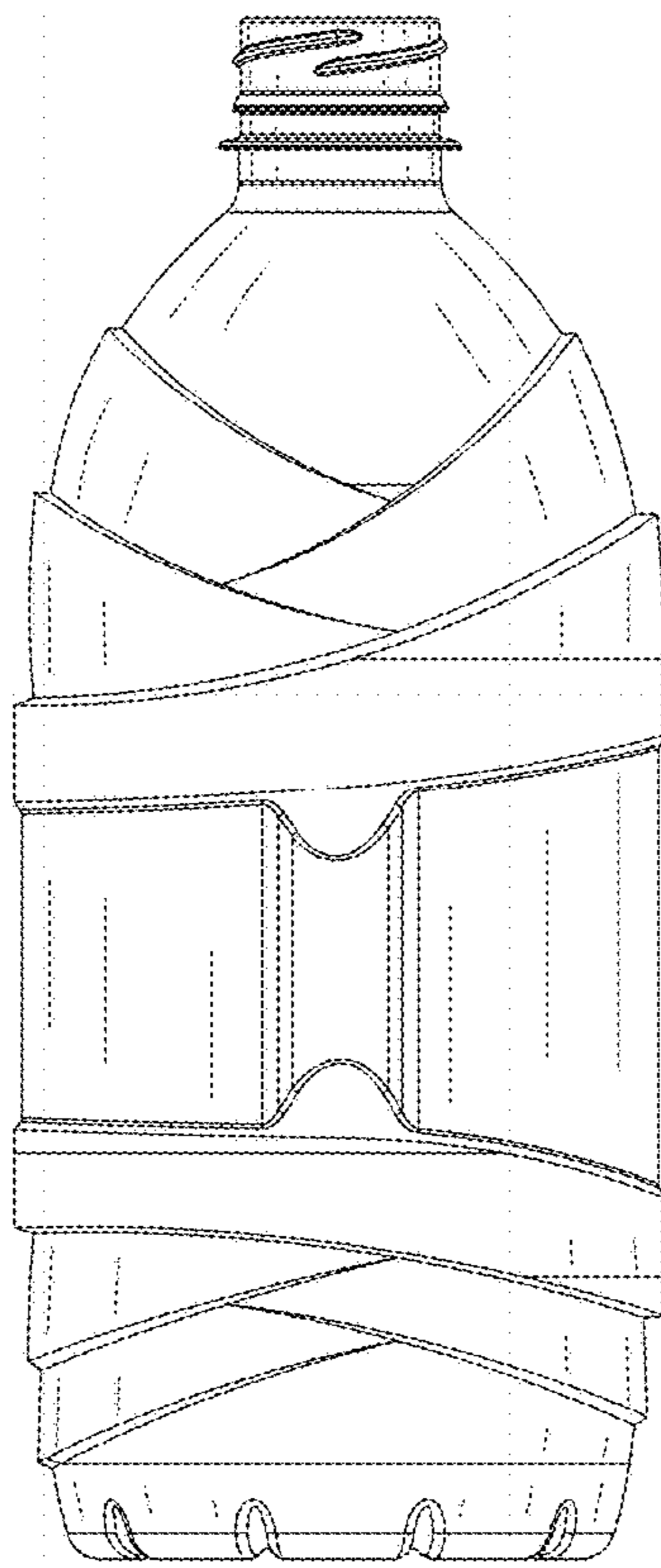


Fig. 1

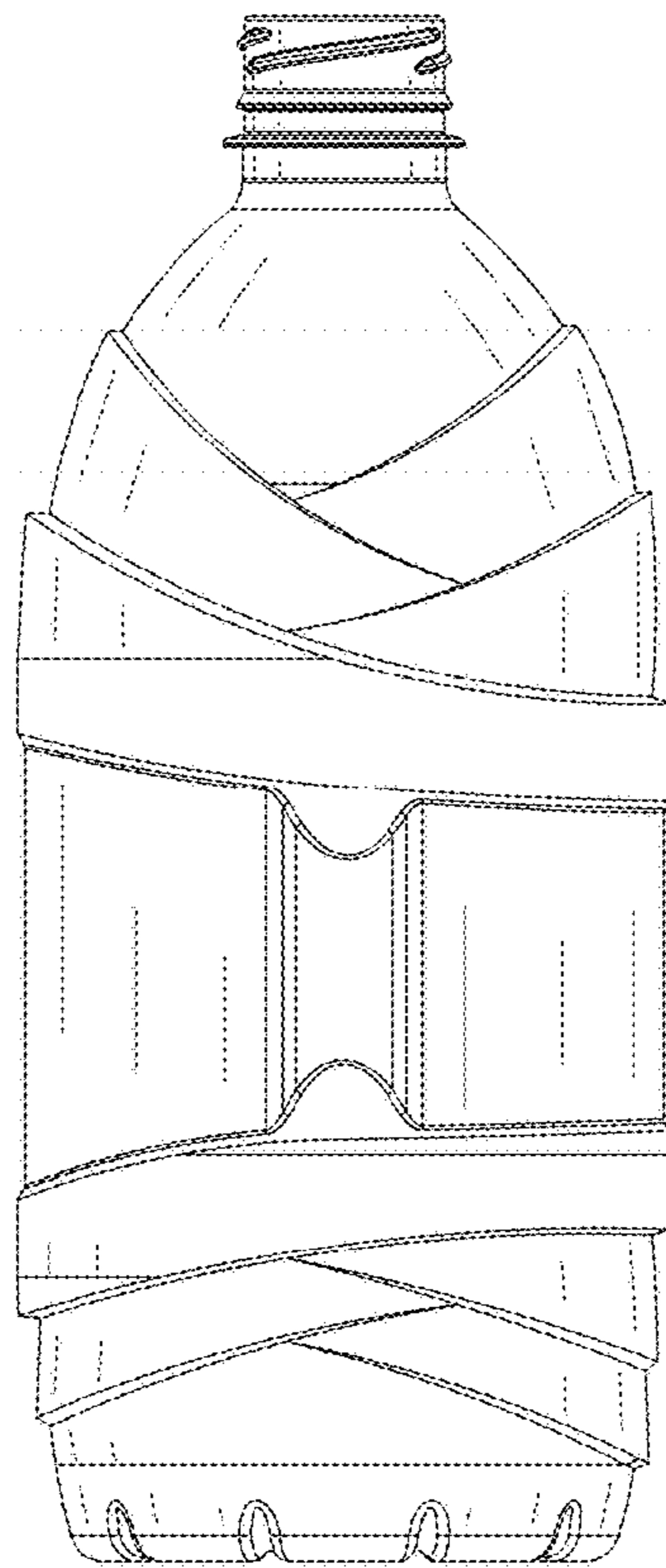


Fig.2

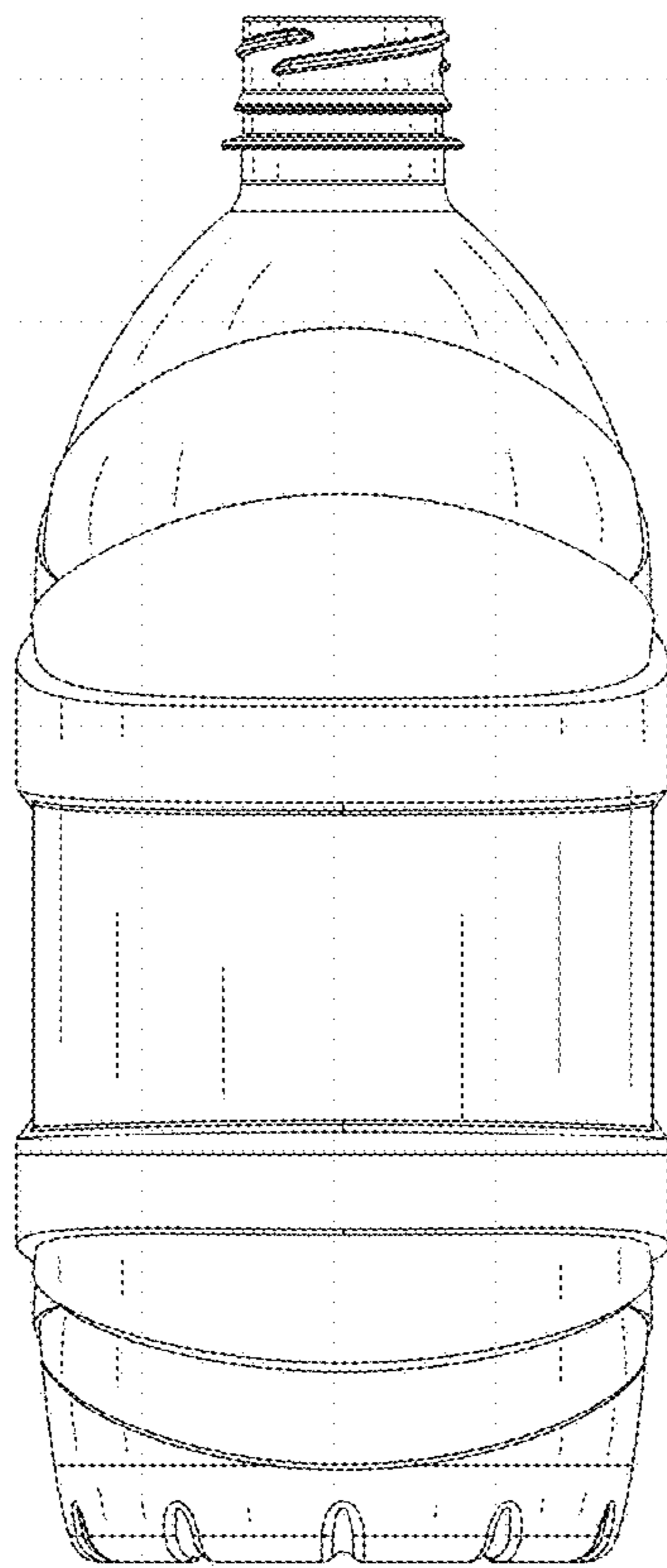


Fig.3

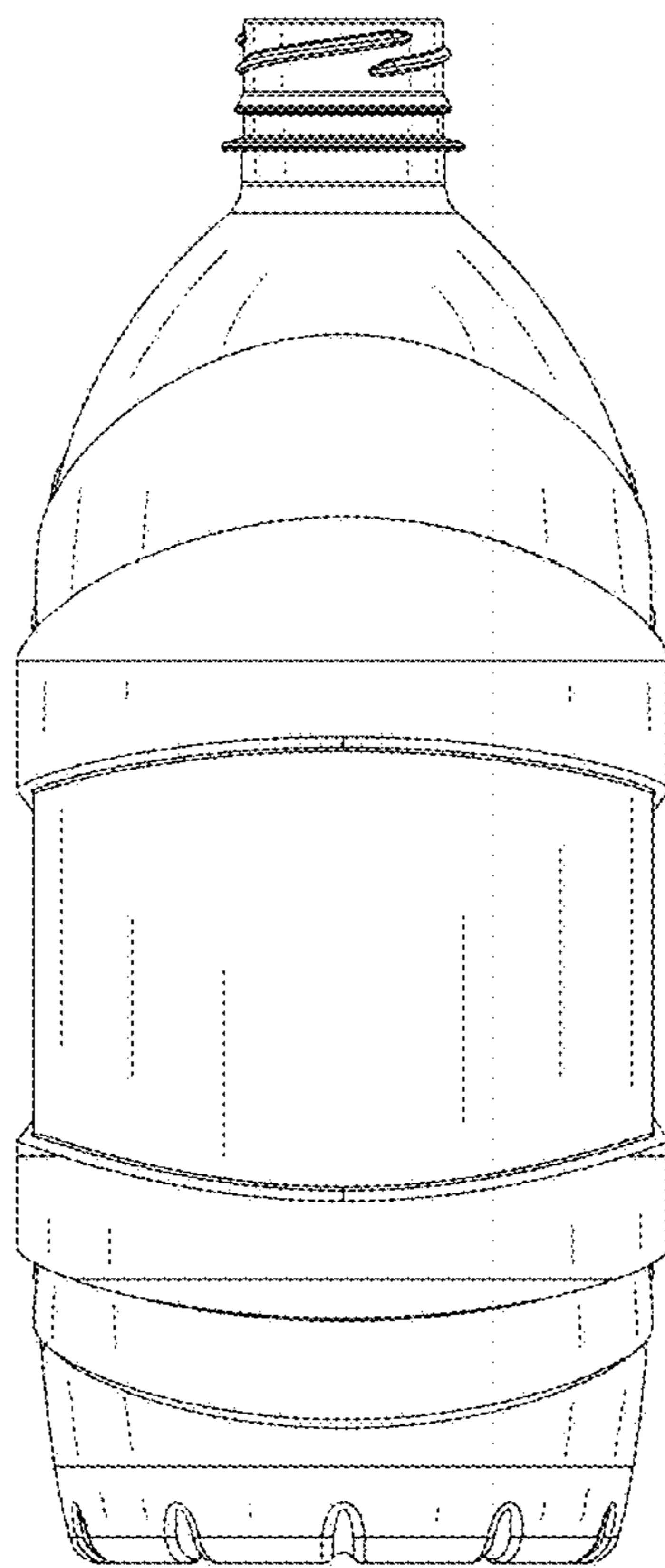


Fig.4

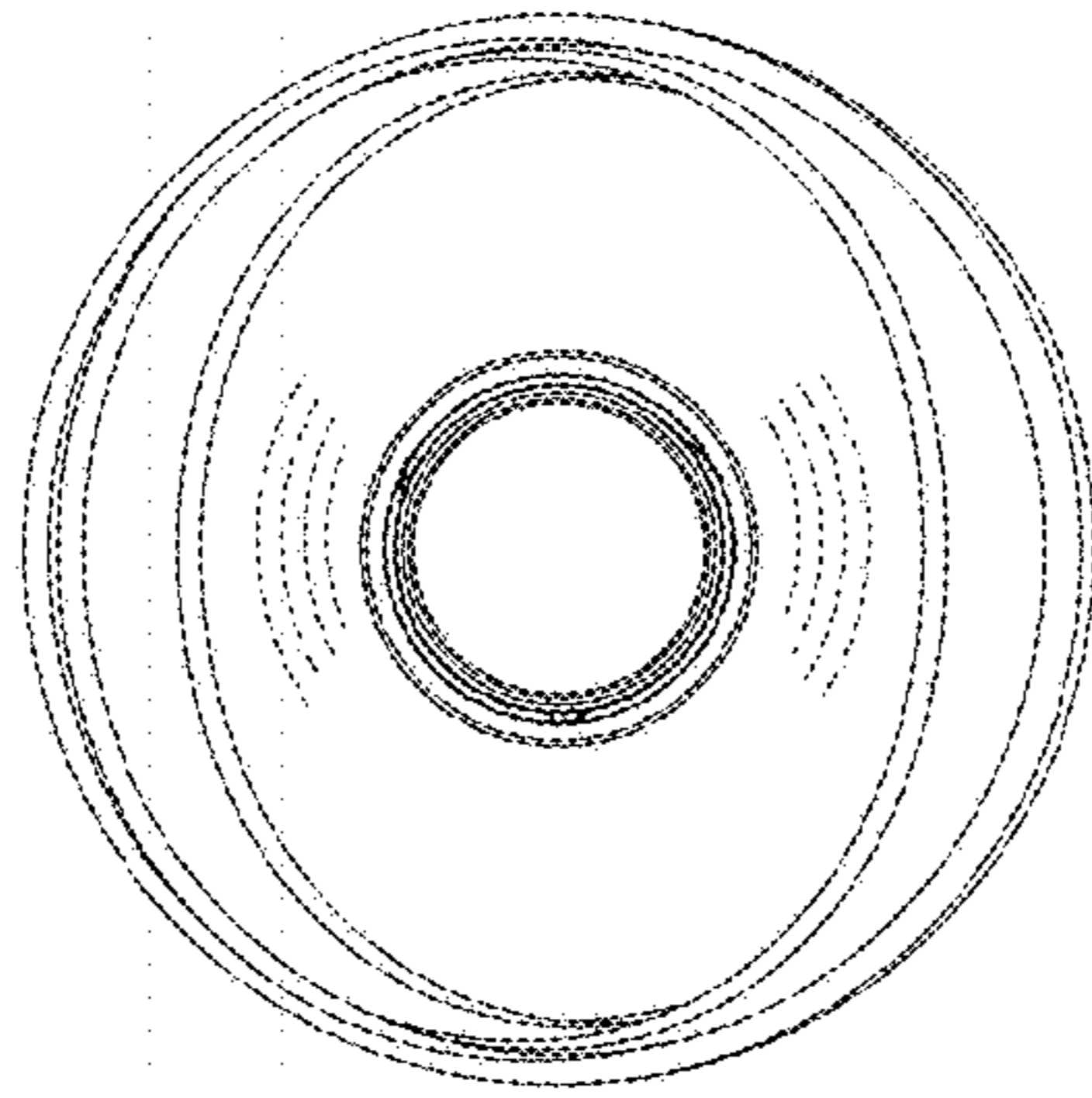


Fig.5

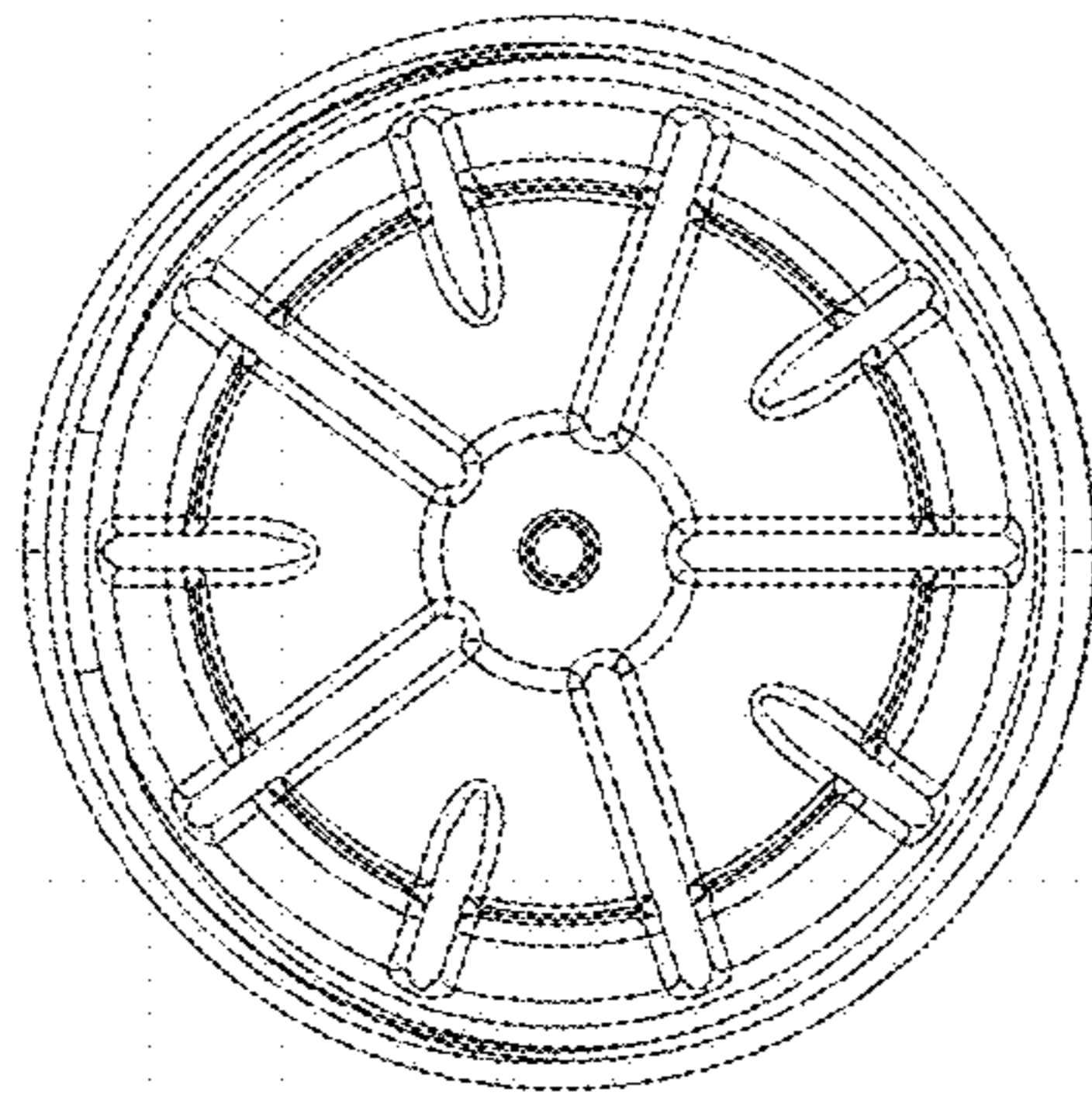


Fig.6

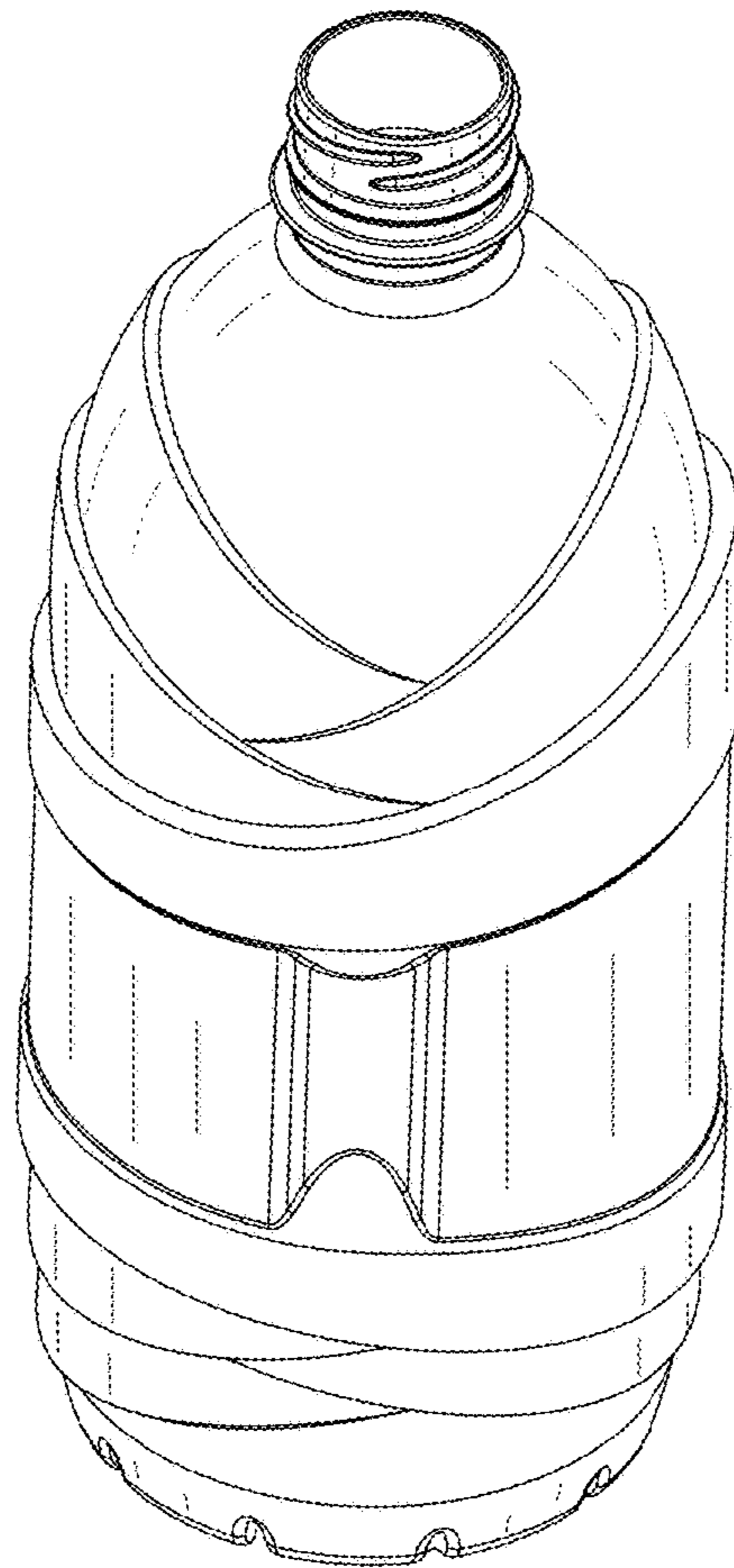


Fig.7

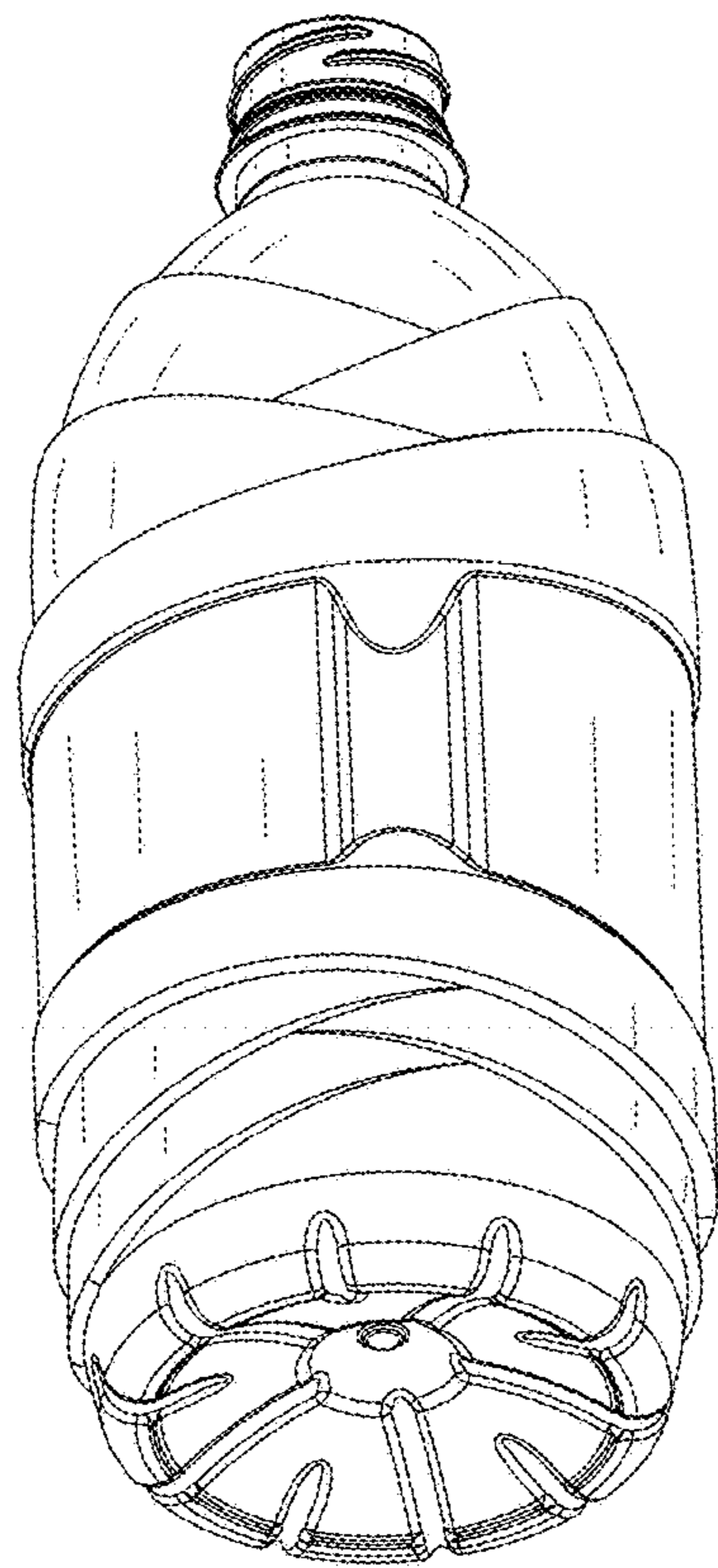


Fig.8