



US00D837055S

(12) **United States Design Patent**  
**Holland et al.**

(10) **Patent No.:** **US D837,055 S**  
(45) **Date of Patent:** **\*\* Jan. 1, 2019**

(54) **SELF-SEALING TOOTHPASTE CAP**

2,915,227 A \* 12/1959 Quint ..... B65D 47/242  
222/519

(71) Applicants: **Nicole Holland**, Lehi, UT (US); **David Holland**, Lehi, UT (US)

D212,427 S \* 10/1968 Korol et al. .... D6/541  
D214,146 S \* 5/1969 Ritsi ..... D24/197  
D349,769 S \* 8/1994 Green ..... D24/197

(72) Inventors: **Nicole Holland**, Lehi, UT (US); **David Holland**, Lehi, UT (US)

(Continued)

(\*\*) Term: **15 Years**

*Primary Examiner* — Michael A. Pratt

*Assistant Examiner* — Wendy L Arminio

(21) Appl. No.: **29/635,963**

(74) *Attorney, Agent, or Firm* — Holland & Hart LLP

(22) Filed: **Feb. 5, 2018**

(57) **CLAIM**

**Related U.S. Application Data**

The ornamental design for a self-sealing toothpaste cap, as shown and described.

(63) Continuation of application No. 15/371,641, filed on Dec. 7, 2016.

(51) **LOC (11) Cl.** ..... **09-01**

(52) **U.S. Cl.**

USPC ..... **D9/444**

(58) **Field of Classification Search**

USPC ..... D9/414, 415, 424, 425, 434, 435, 436, D9/443, 444-452, 454-456, 499, 529, D9/682, 685, 686, 695, 697; D7/387, D7/391, 392, 392.1, 396.1, 396.2, 396.3, D7/396.4, 397, 398, 401.1, 507, 509-511, D7/538; D3/202, 203.2; D28/91, 91.1; D24/197, 199

CPC .. A61J 1/00; A61J 1/1412; B65D 1/00; B65D 1/02; B65D 1/10; B65D 1/46; B65D 2585/56; B65D 2585/545; B65D 41/00; B65D 41/38; B65D 41/56; B65D 41/62; B65D 47/00; B65D 47/06; B65D 47/08; B65D 2543/00046; B65D 2543/00092; B65D 2543/00296; B65D 5/46; B65D 2251/00

See application file for complete search history.

**DESCRIPTION**

FIG. 1 is a top perspective view of a self-sealing toothpaste cap according to the present invention, shown in a position of use attached to a tube of toothpaste drawn in broken lines and not claimed;

FIG. 2 is an exploded top perspective view thereof, showing the manner of assembly with an unclaimed tube of toothpaste;

FIG. 3 is a cross-sectional view taken in the direction of line 3-3 shown in FIG. 1;

FIG. 4 is another cross-sectional view thereof;

FIG. 5 is a bottom perspective view thereof;

FIG. 6 is a side view thereof;

FIG. 7 is a top view thereof

FIG. 8 is a bottom view thereof; and,

FIG. 9 is another perspective view of the design of FIG. 1 shown in a position of use attached to a tube of toothpaste in the hand of a user applying toothpaste to a toothbrush, which is all drawn in broken lines and not claimed.

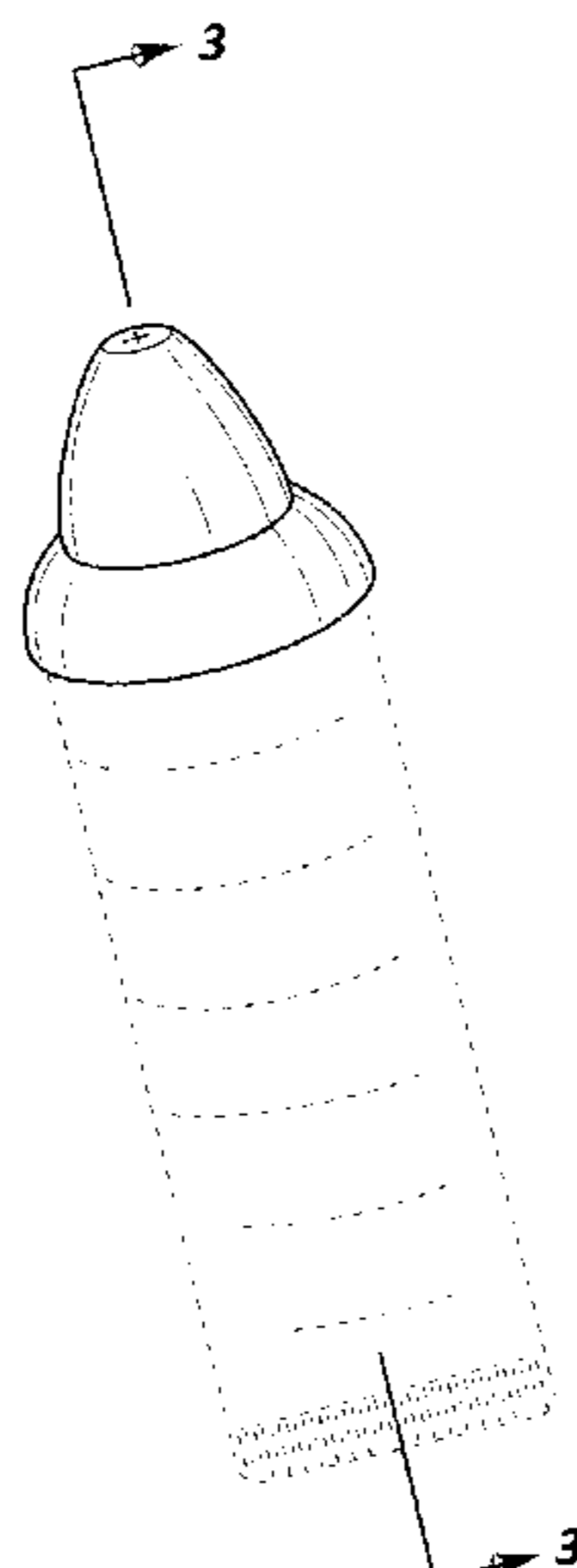
The broken lines in the drawings illustrating a tube of toothpaste, a human hand, and a toothbrush all depict environment and form no part of the claimed design.

(56) **References Cited**

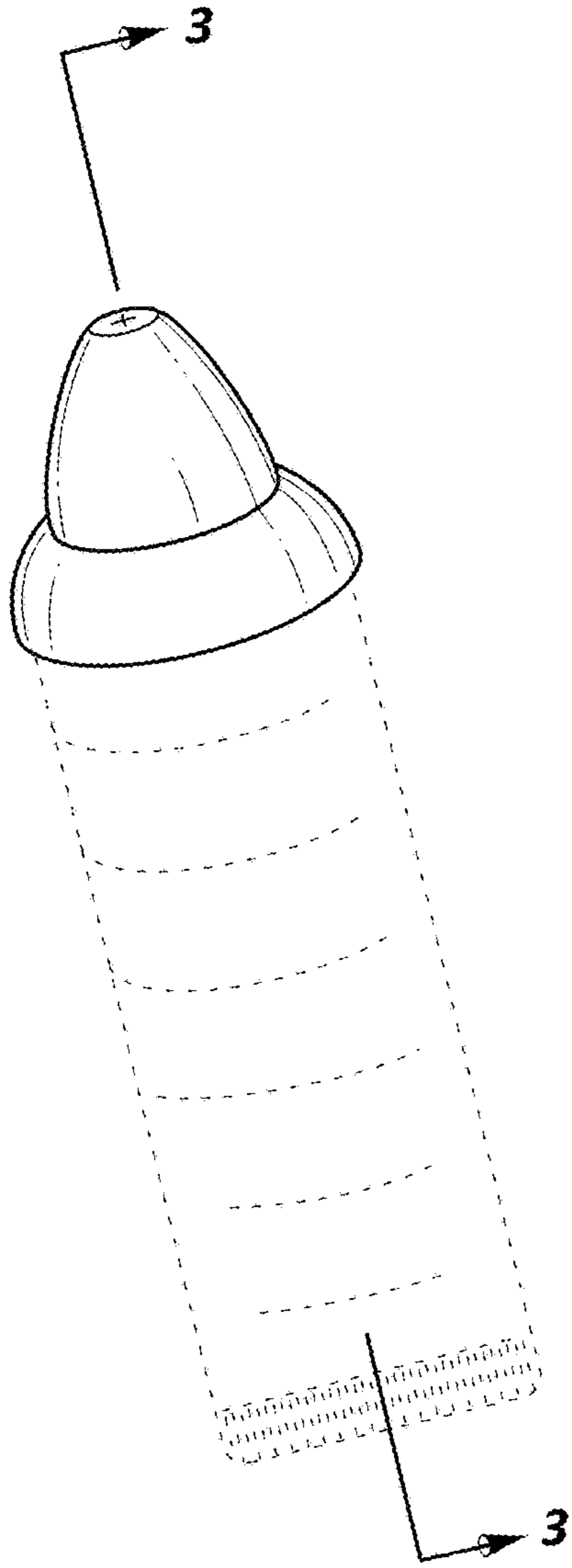
**U.S. PATENT DOCUMENTS**

D93,102 S \* 8/1934 Hamiel ..... D24/196  
2,078,149 A \* 4/1937 Lutz ..... B65D 51/249  
222/105

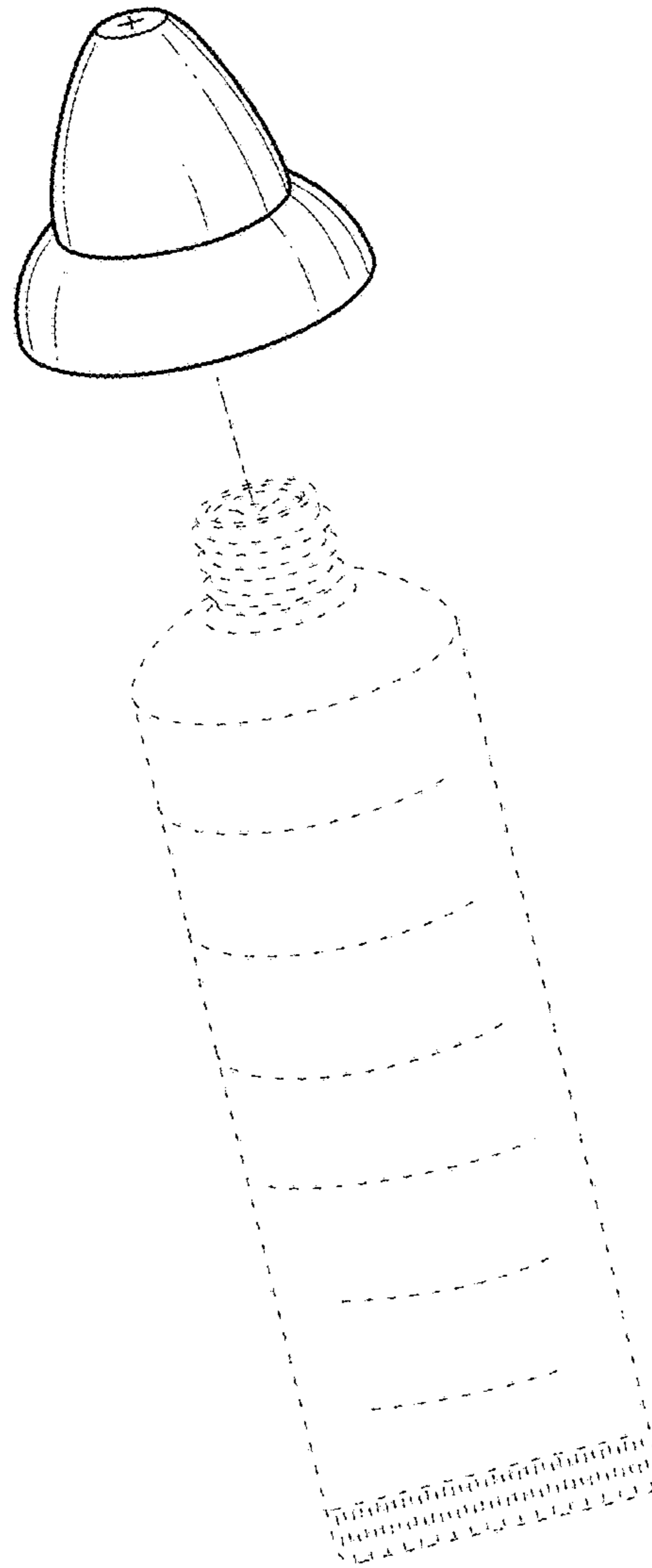
**1 Claim, 4 Drawing Sheets**



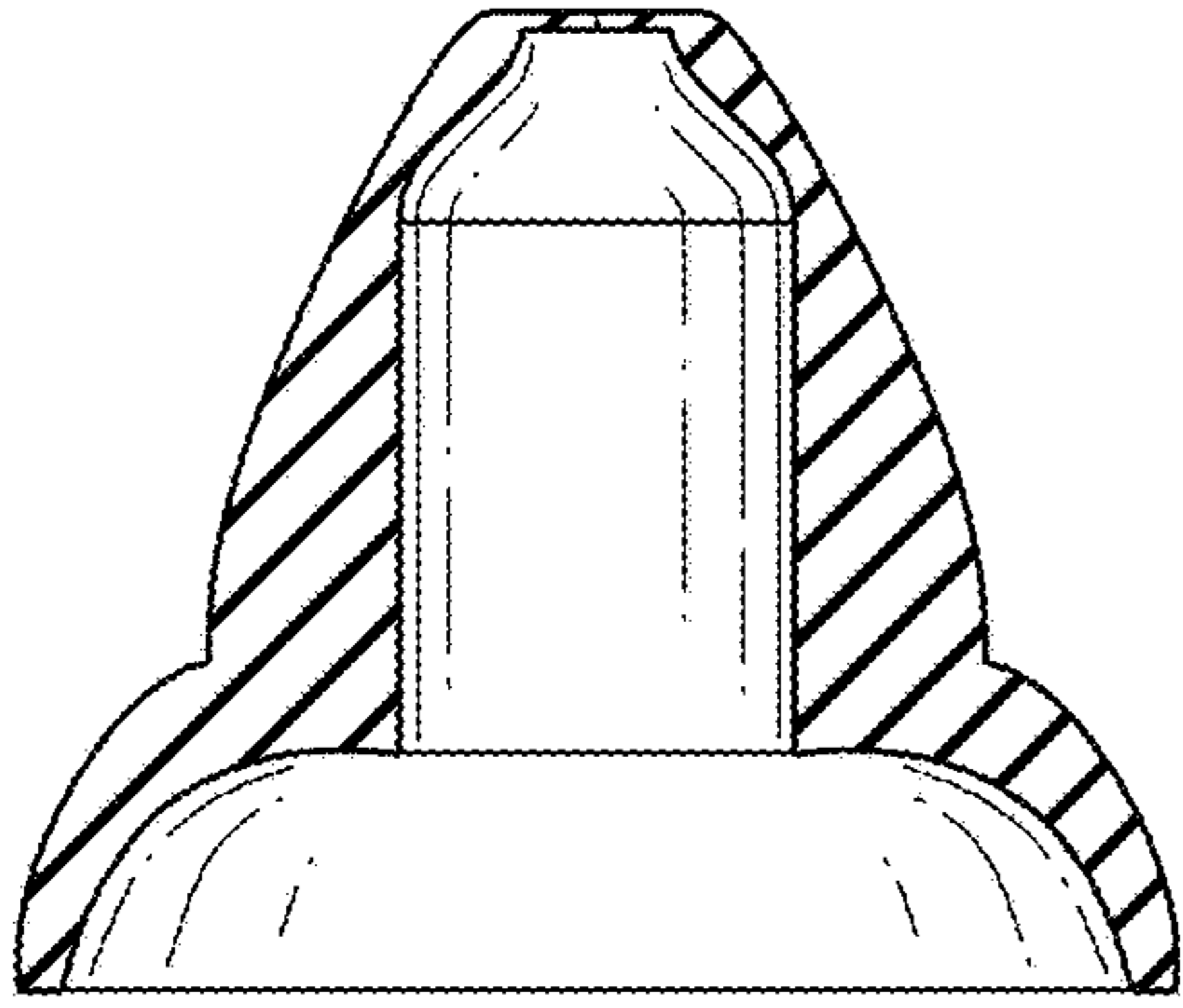




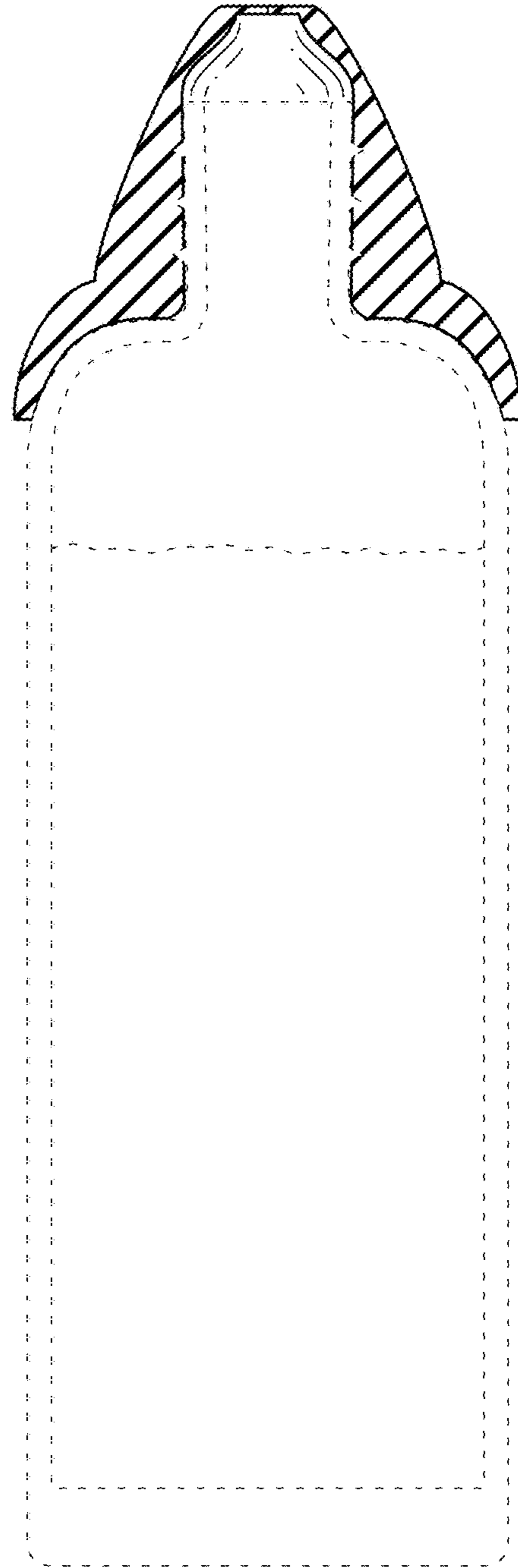
**FIG. 1**



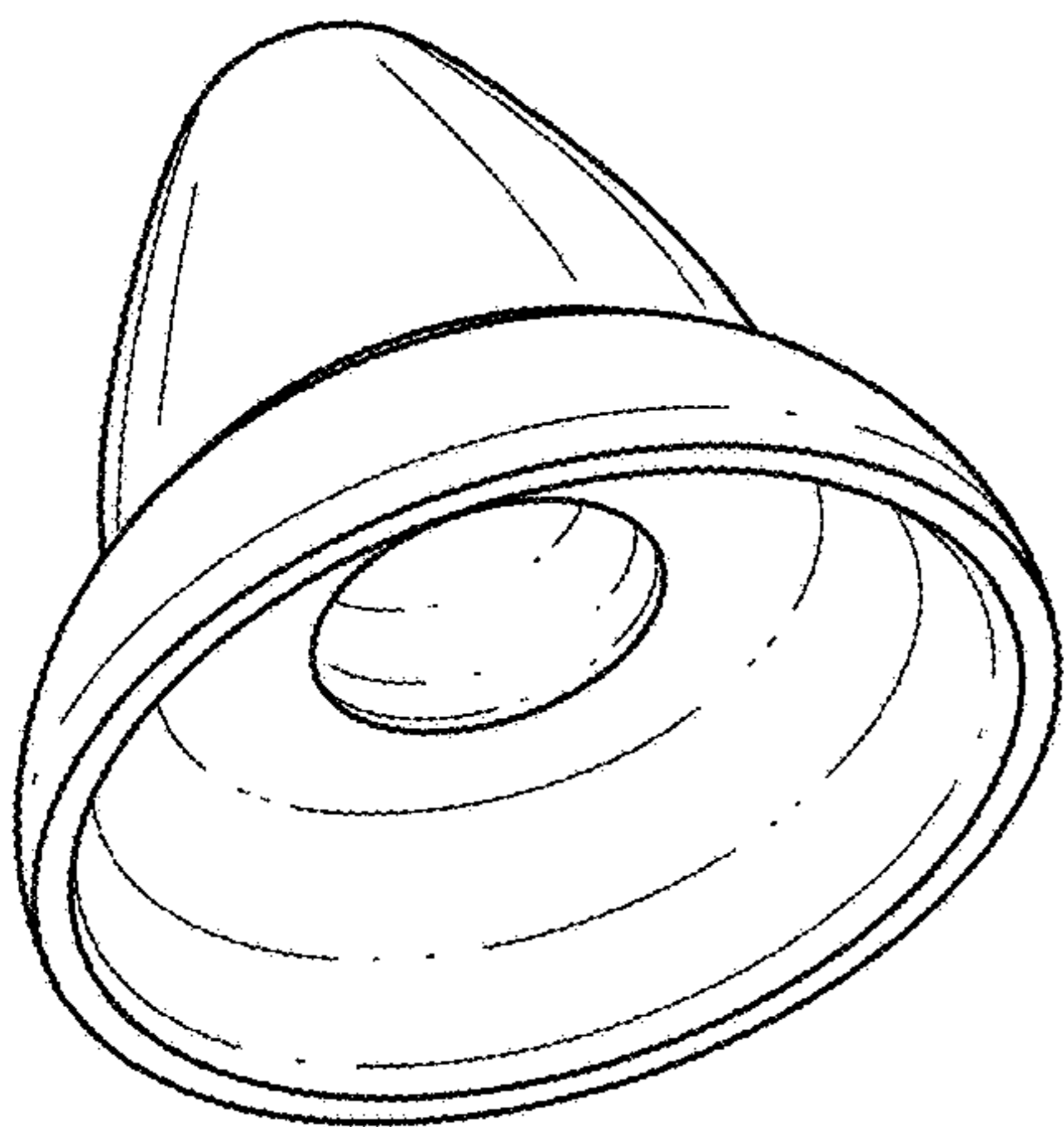
**FIG. 2**



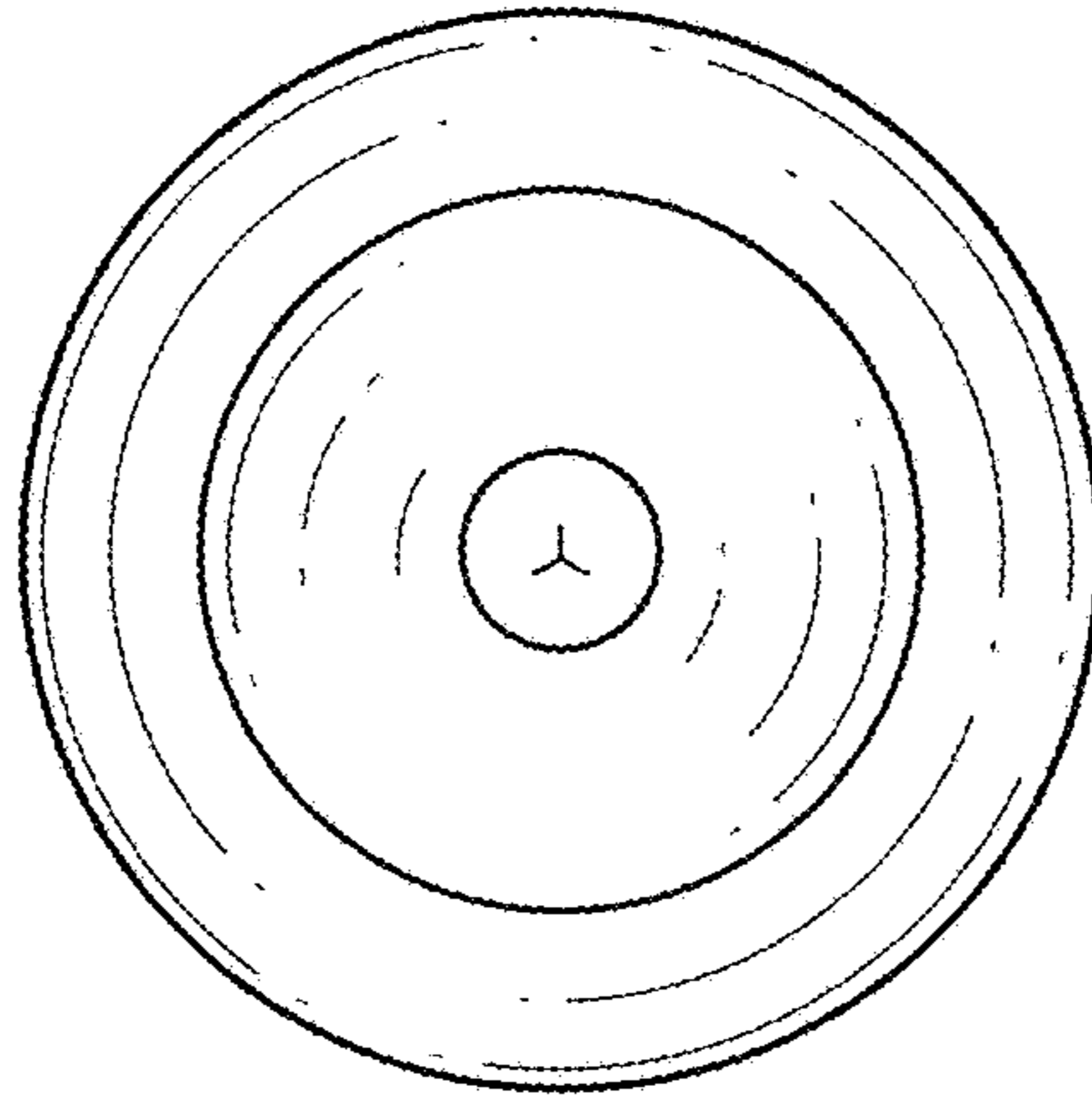
**FIG. 4**



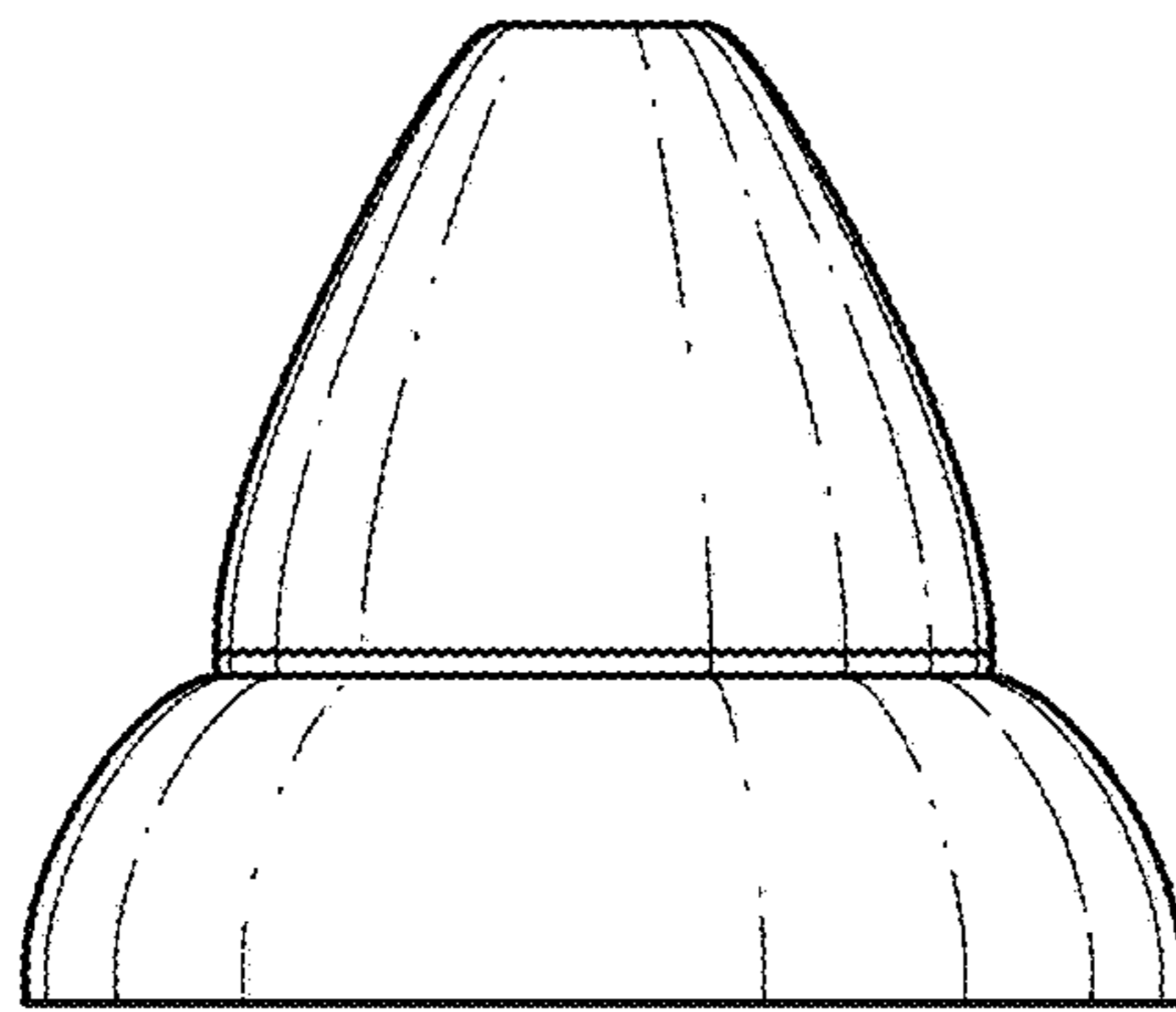
**FIG. 3**



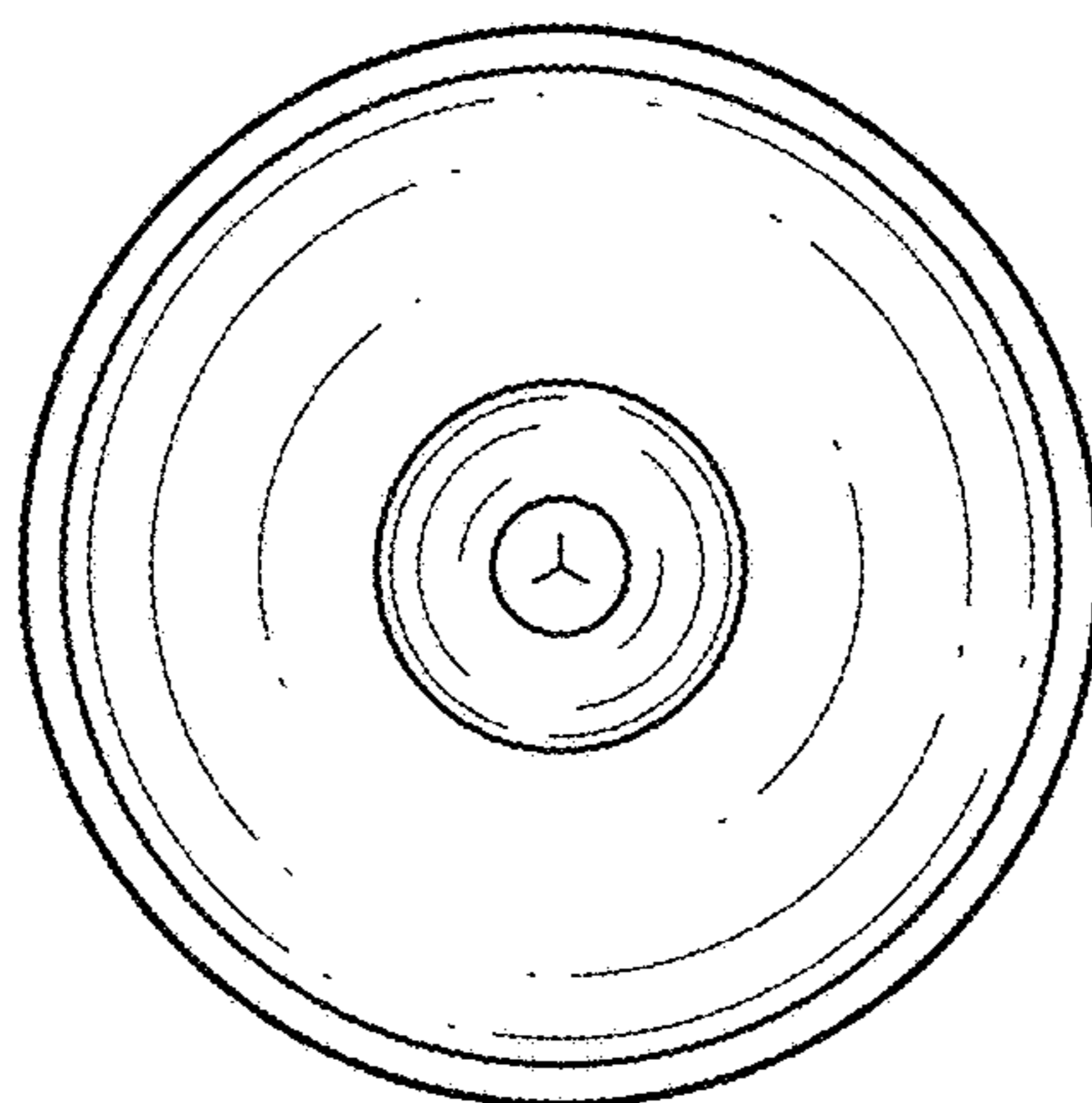
**FIG. 5**



**FIG. 7**

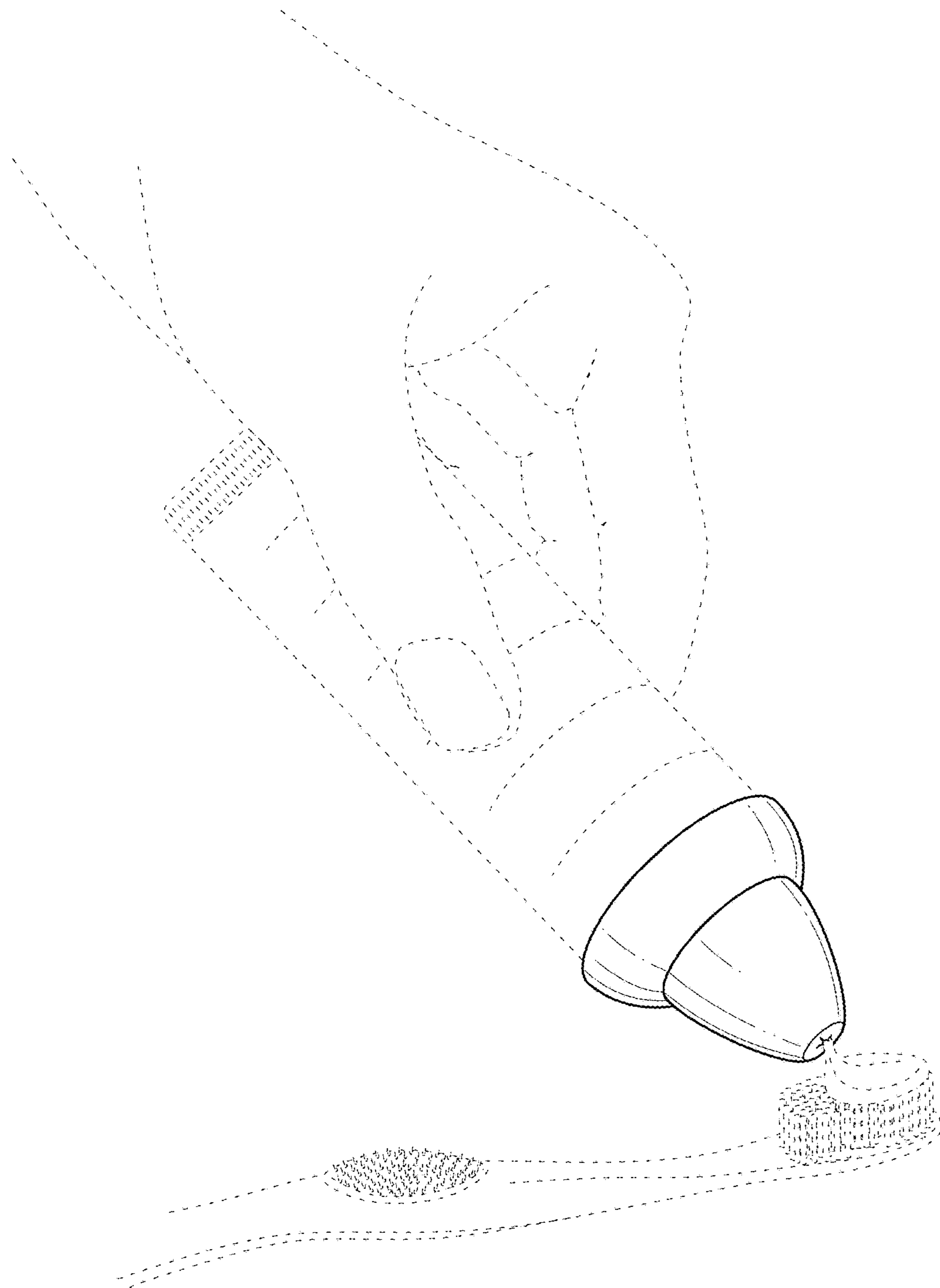


**FIG. 6**



**FIG. 8**





**FIG. 9**