



US00D837053S

(12) **United States Design Patent**
Perry et al.

(10) **Patent No.:** **US D837,053 S**
(45) **Date of Patent:** **** Jan. 1, 2019**

(54) **CONTAINER**

(71) Applicant: **Abbott Laboratories**, Abbott Park, IL (US)

(72) Inventors: **James Perry**, Gahanna, OH (US);
Matthew L. Phillips, Litchfield, CT (US); **David Schweitzer**, Weston, CT (US); **Robert Bruno**, Avon, CT (US)

(73) Assignee: **Abbott Laboratories**, Abbott Park, IL (US)

(**) Term: **15 Years**

(21) Appl. No.: **29/596,348**

(22) Filed: **Mar. 7, 2017**

(51) **LOC (11) Cl.** **09-07**

(52) **U.S. Cl.**
USPC **D9/443**; D9/434

(58) **Field of Classification Search**
USPC D7/391, 392, 392.1, 396.1, 213, 387,
D7/396.3, 541, 546, 549, 554.2, 554.3,
D7/601, 602, 605, 701, 703, 705;
D9/434-436, 438, 443, 447, 455-457,
D9/499, 414, 418, 420, 423, 424, 426,
D9/428, 430, 432, 440, 444, 446, 449,
D9/453, 703, 715-718, 721; D3/202,
D3/212, 294, 295, 318
CPC B65D 17/501; B65D 43/163; B65D
21/0209; B65D 51/20; B65D 55/02
See application file for complete search history.

(56) **References Cited**

U.S. PATENT DOCUMENTS

D232,811 S * 9/1974 Edgeington D30/101
D241,599 S * 9/1976 Croyle D7/629
D270,618 S * 9/1983 Shillman D9/707
D437,686 S * 2/2001 Balzar D3/302
D602,772 S * 10/2009 Suzuki D9/434

D654,790 S * 2/2012 Perell B65D 75/326
D9/434
D656,815 S * 4/2012 Fisher D32/53
D715,643 S * 10/2014 Sanfilippo D9/434
D727,724 S * 4/2015 Pipes A24F 23/00
D9/428

(Continued)

OTHER PUBLICATIONS

Ikea. JAMKA. Apr. 2018 [earliest online date], [site visited Feb. 13, 2018]. Available from Internet, <URL:http://www.ikea.com/us/en/catalog/products/10166071/>. (Year: 2018).*

Primary Examiner — Eric L Goodman
Assistant Examiner — Darcey E Heflin

(74) *Attorney, Agent, or Firm* — McAndrews, Held & Malloy, Ltd.

(57) **CLAIM**

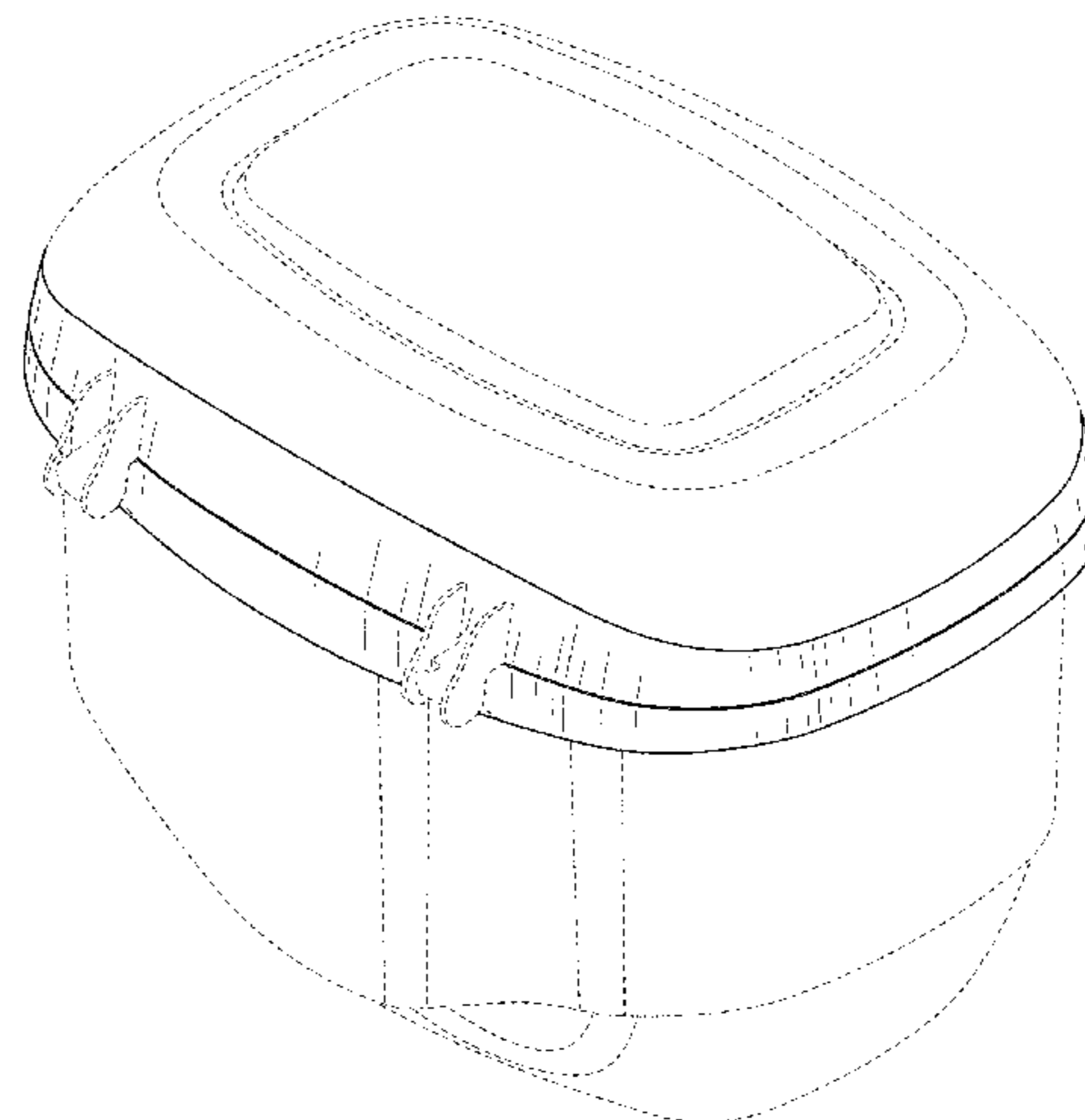
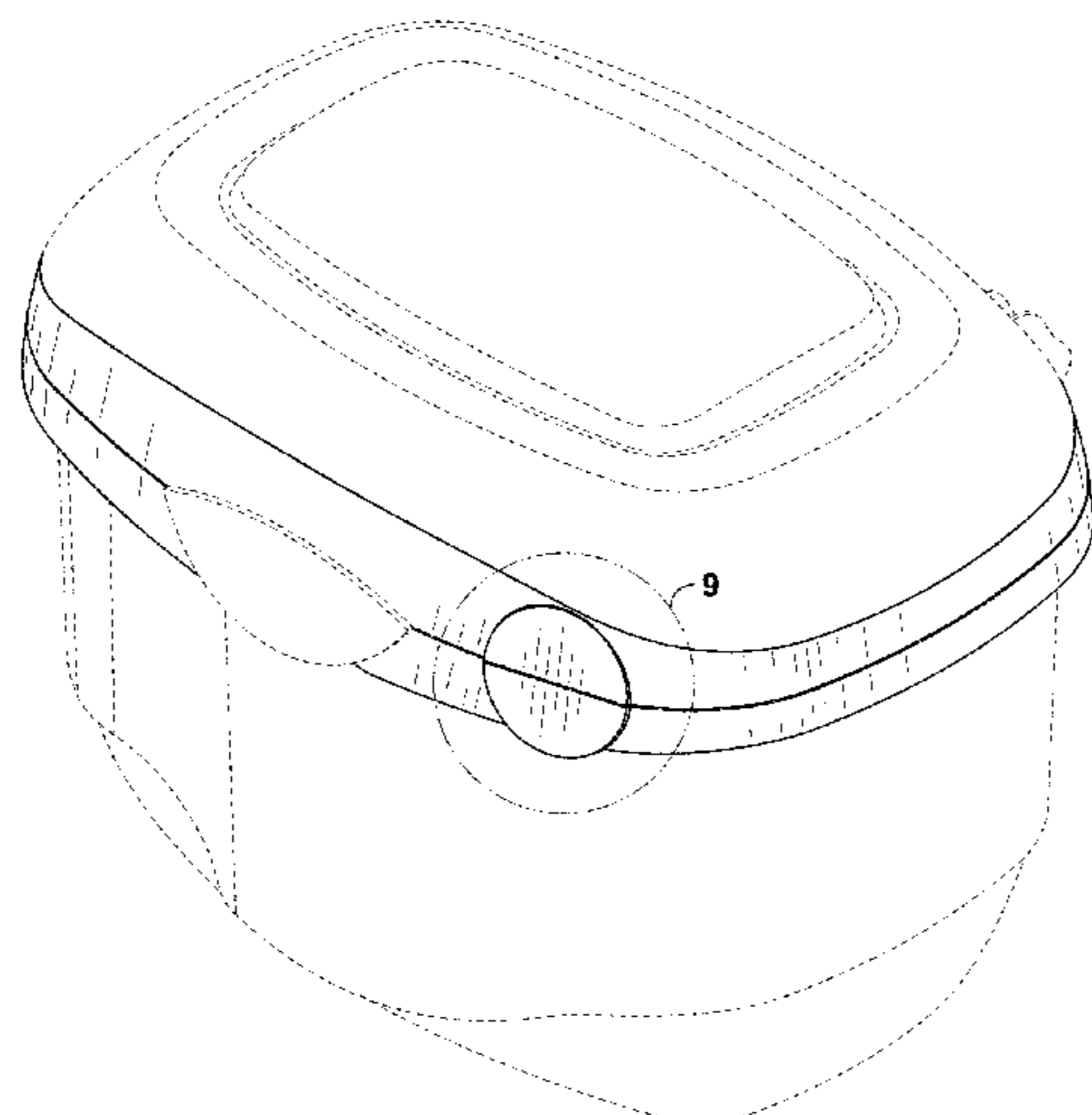
The ornamental design for a container, as shown and described.

DESCRIPTION

FIG. 1 is a top front perspective view of a container showing our new design;
FIG. 2 is a front elevation view thereof;
FIG. 3 is a rear elevation view thereof;
FIG. 4 is a right side elevation view thereof;
FIG. 5 is a left side elevation view thereof;
FIG. 6 is a top plan view thereof;
FIG. 7 is a bottom plan view thereof;
FIG. 8 is a top rear perspective view thereof; and,
FIG. 9 is an enlarged view of the portion encircled in FIG. 1.

The dashed broken lines in the drawings illustrate portions of the container that form no part of the claimed design. The dot-dot-dash broken lines in the drawings encircle portions of the claimed design that are illustrated in enlargements and form no part of the claimed design.

1 Claim, 9 Drawing Sheets



(56)

References Cited

U.S. PATENT DOCUMENTS

D730,181 S	*	5/2015	Leung	D9/435
D730,182 S	*	5/2015	Leung	D9/435
D733,320 S	*	6/2015	Perry	D24/231
D764,919 S	*	8/2016	Damon	D9/457
D810,561 S	*	2/2018	Garnett	D9/431

* cited by examiner

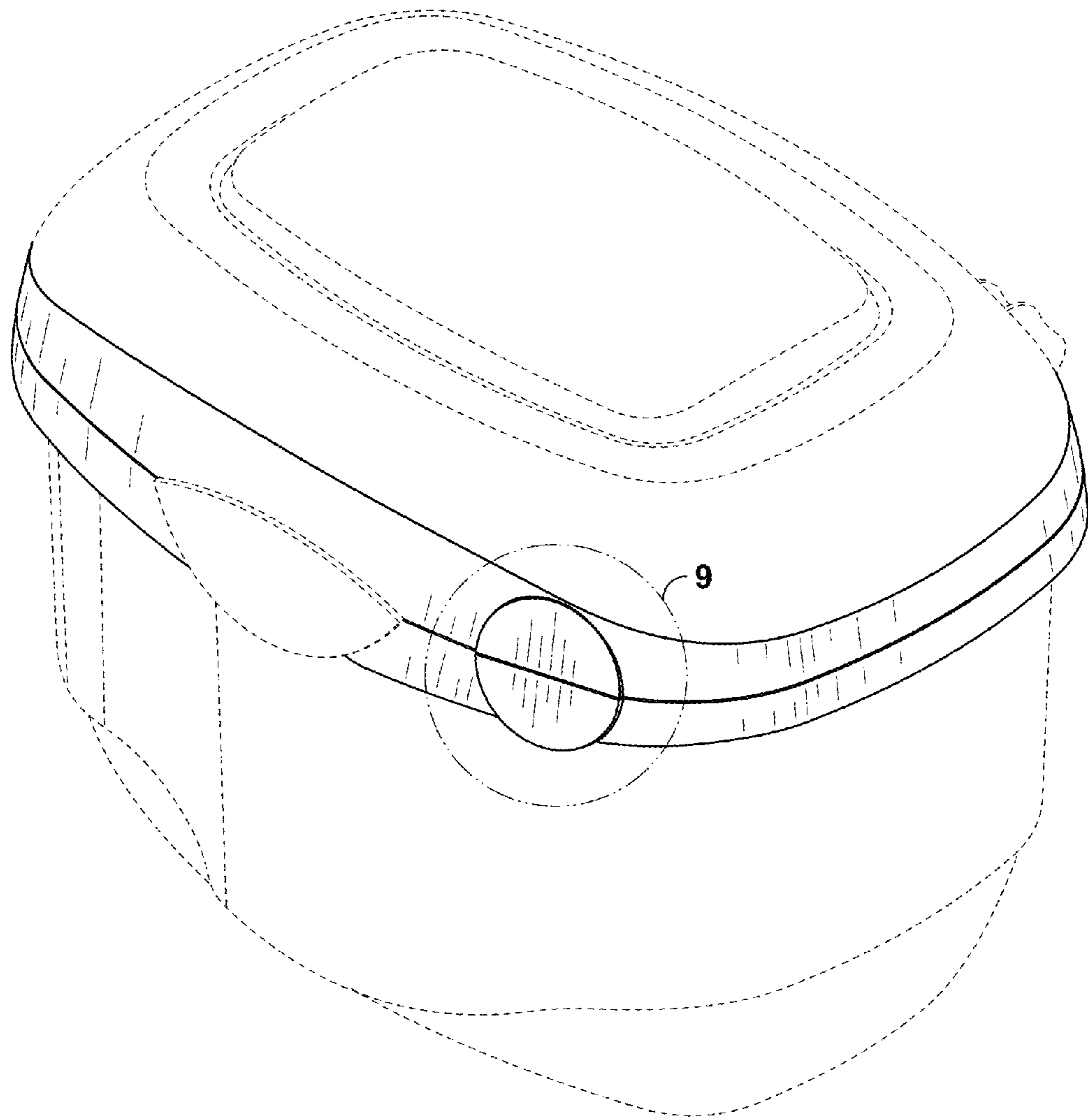


FIG. 1

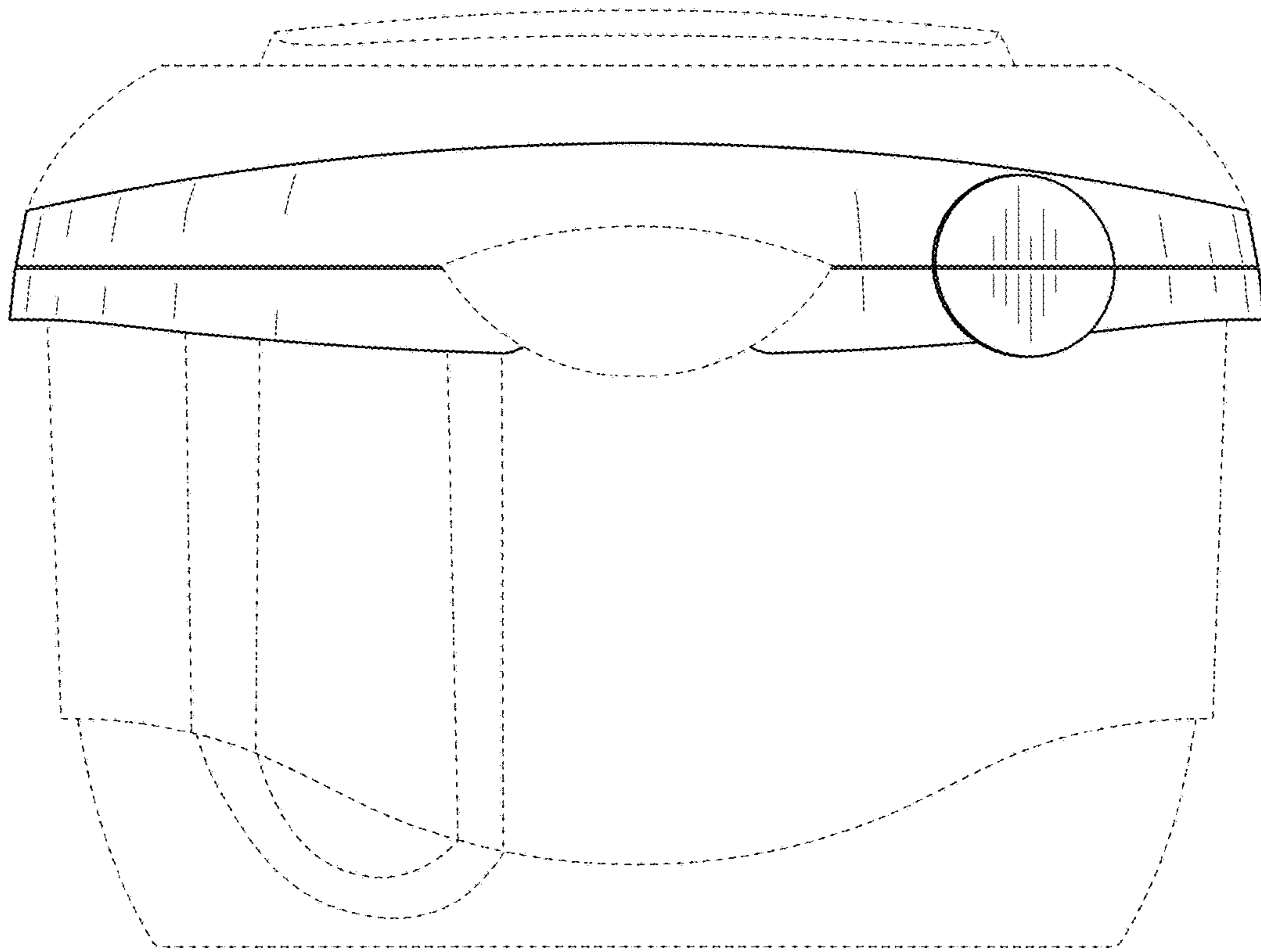


FIG. 2

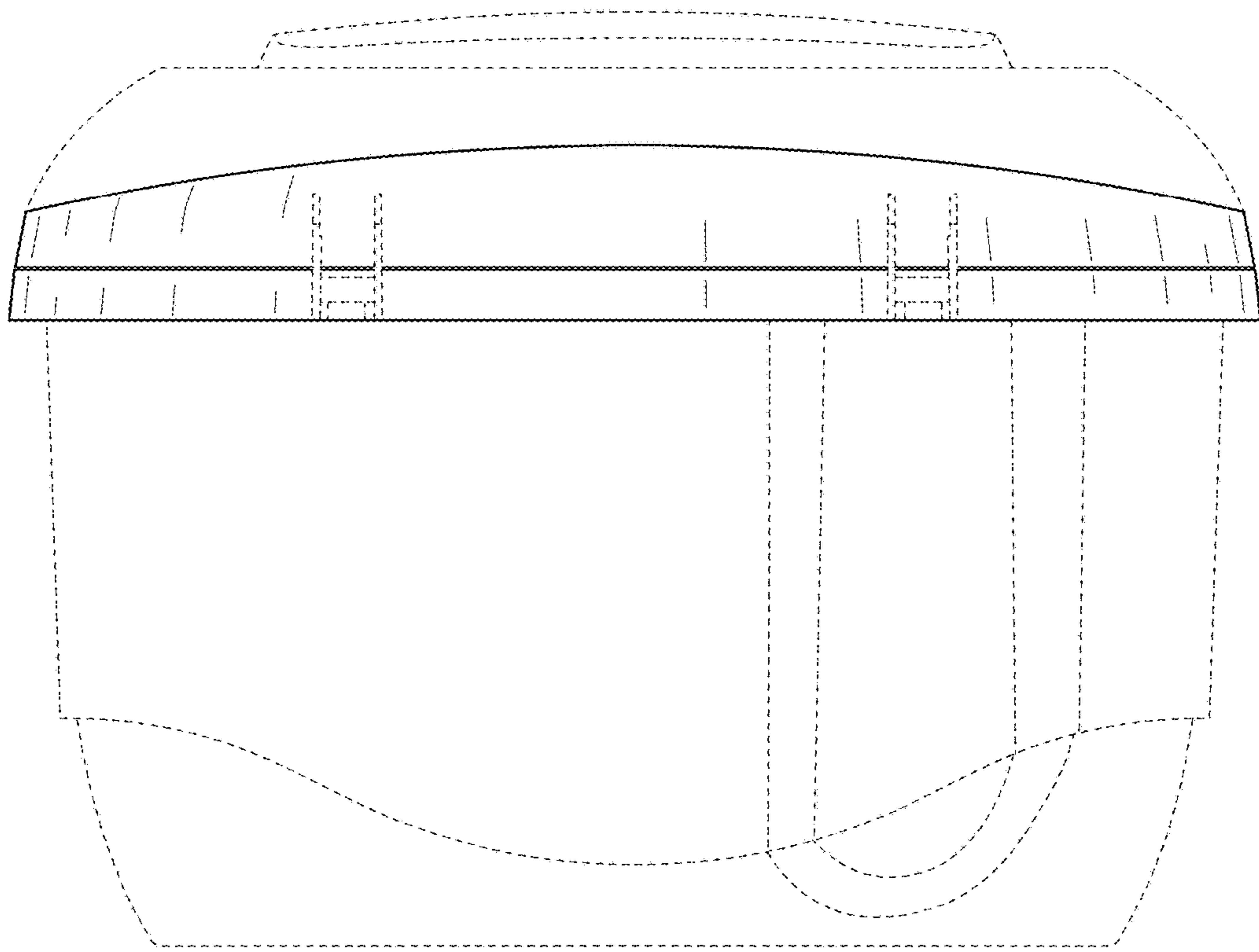


FIG. 3

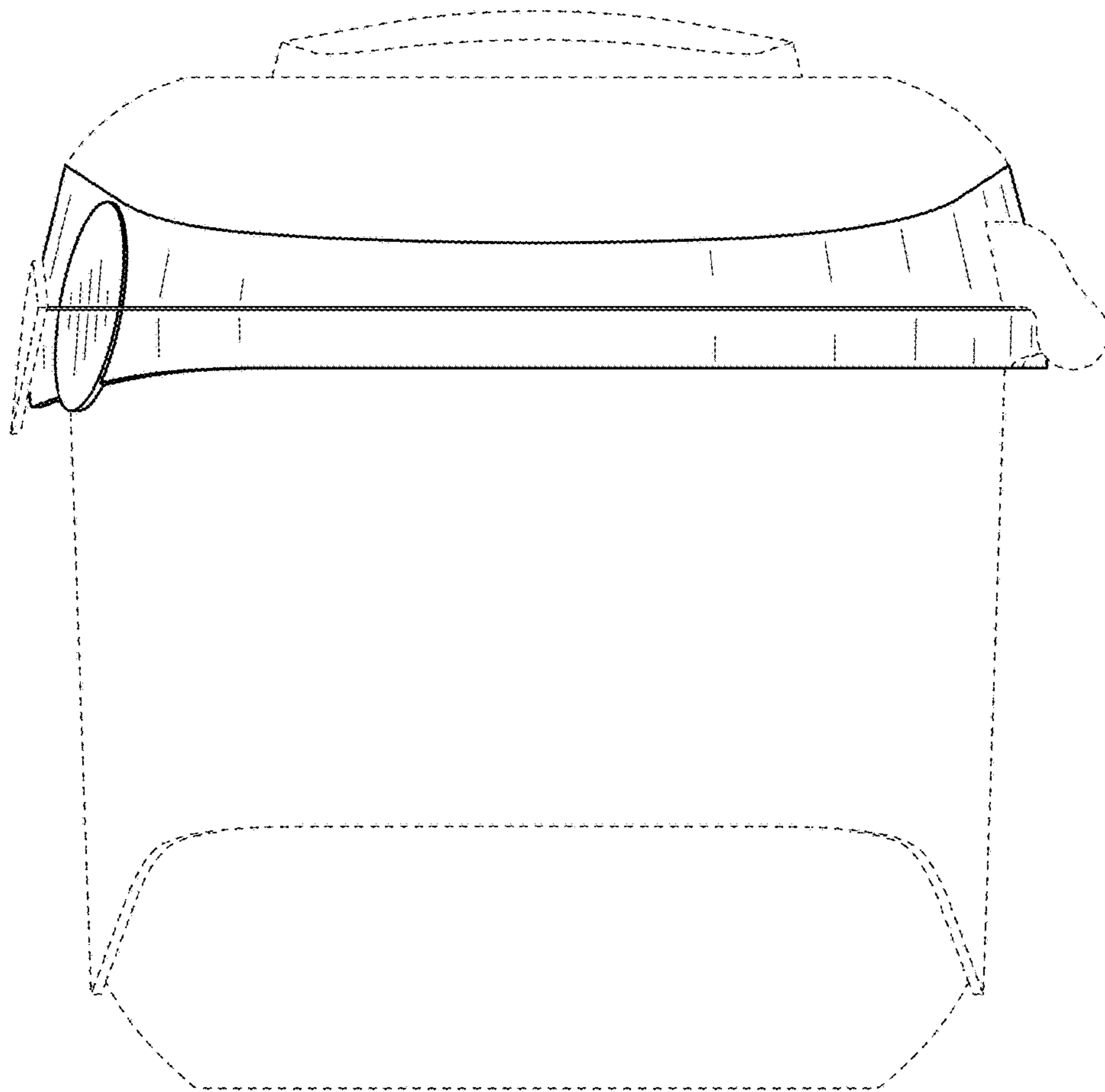


FIG. 4

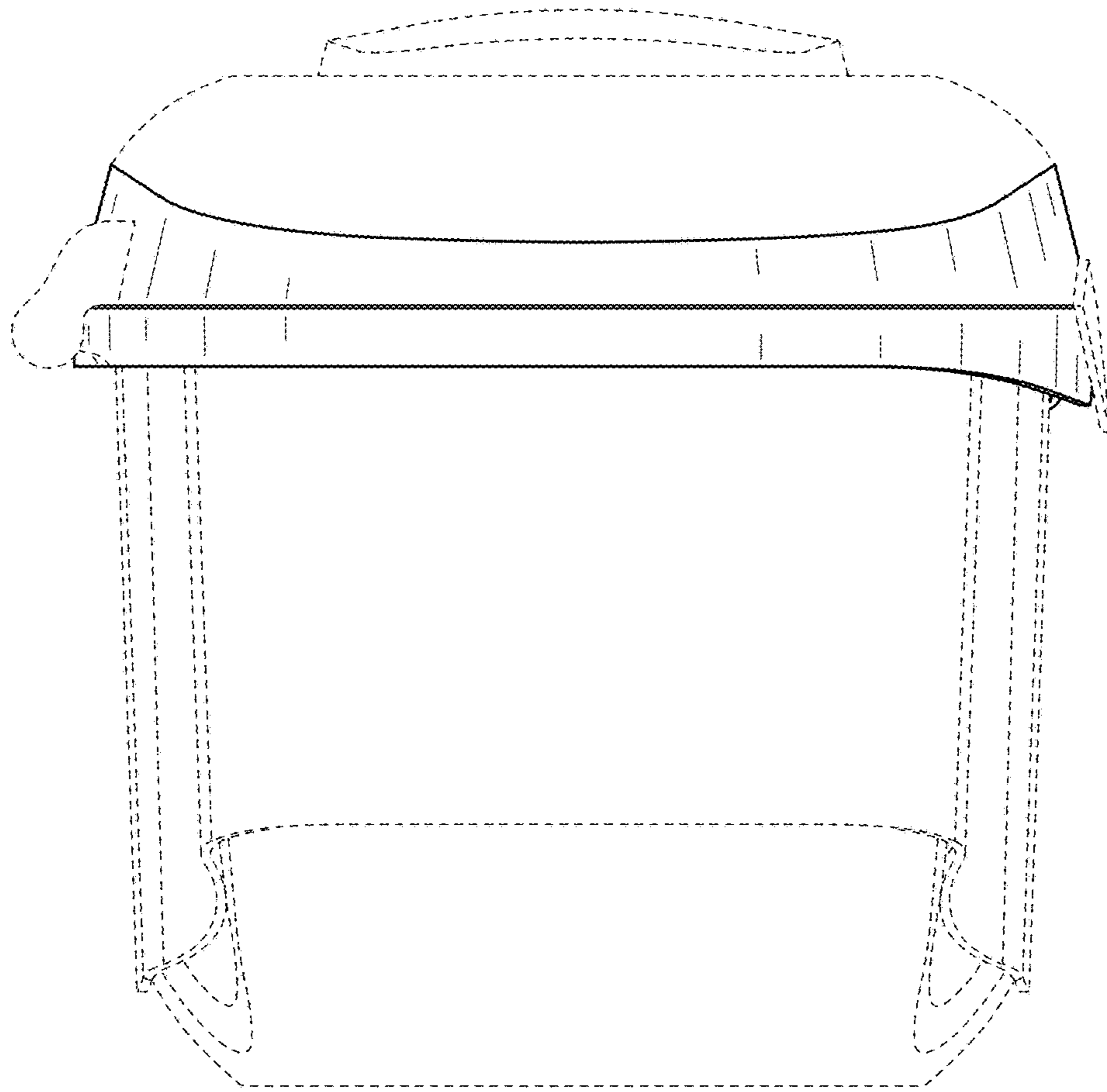


FIG. 5

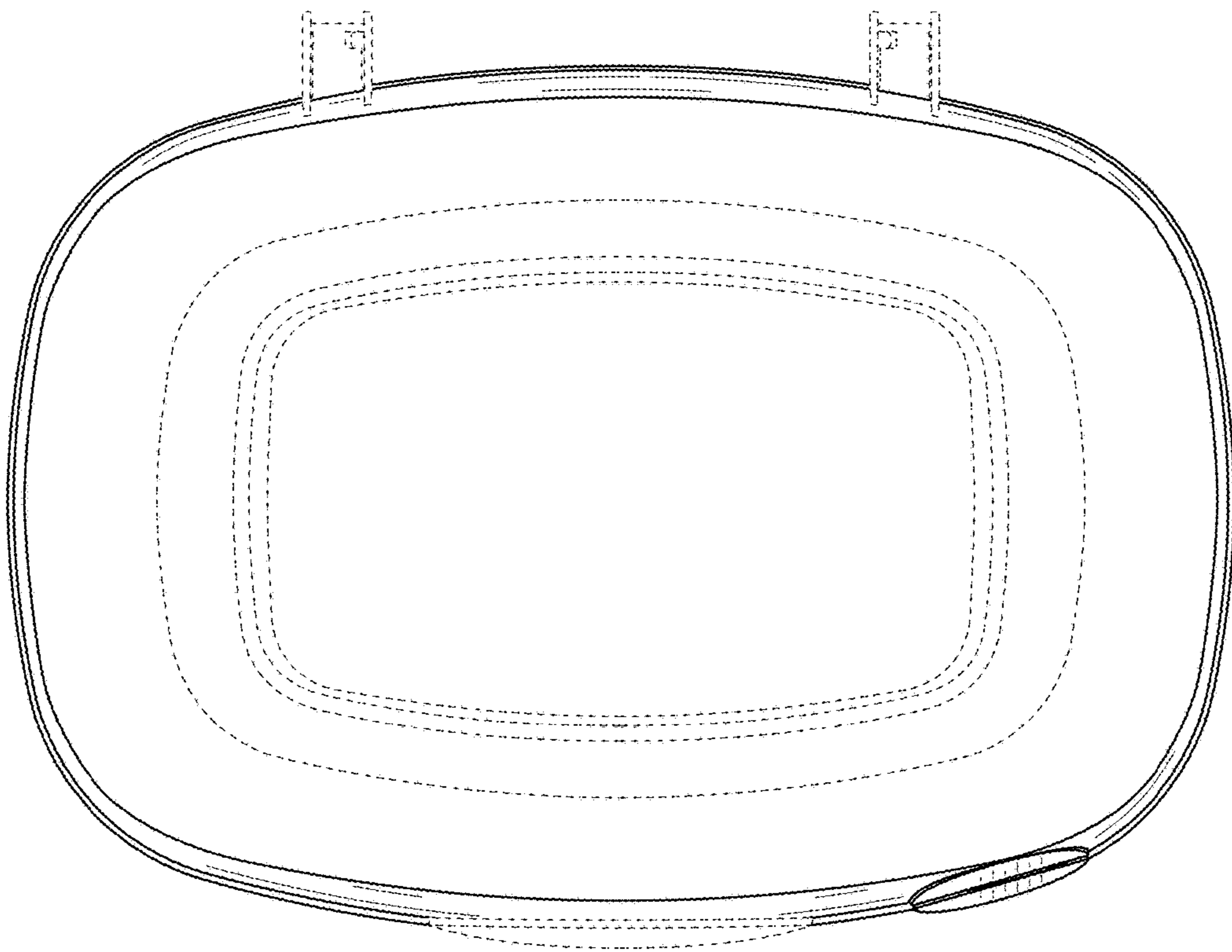


FIG. 6

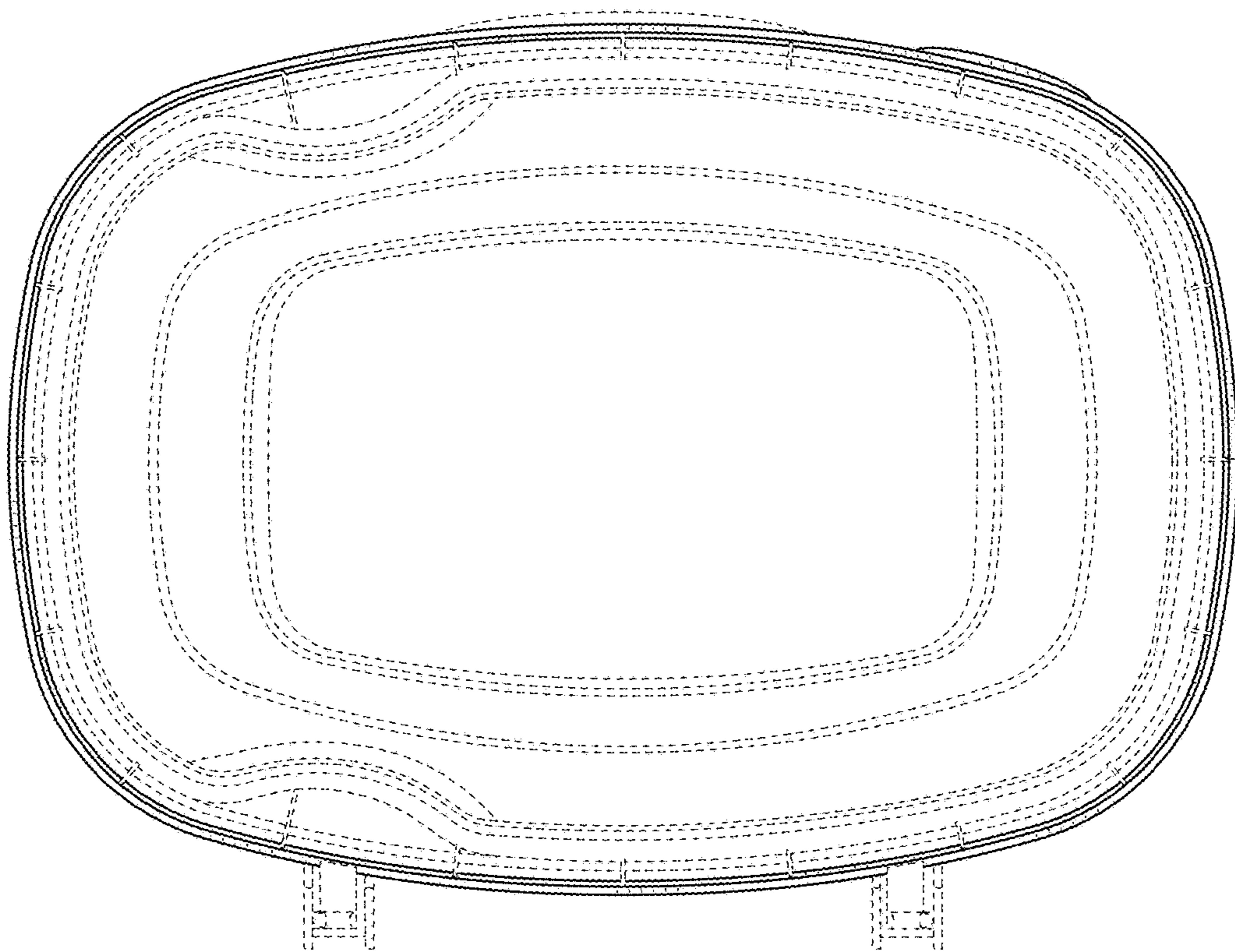


FIG. 7

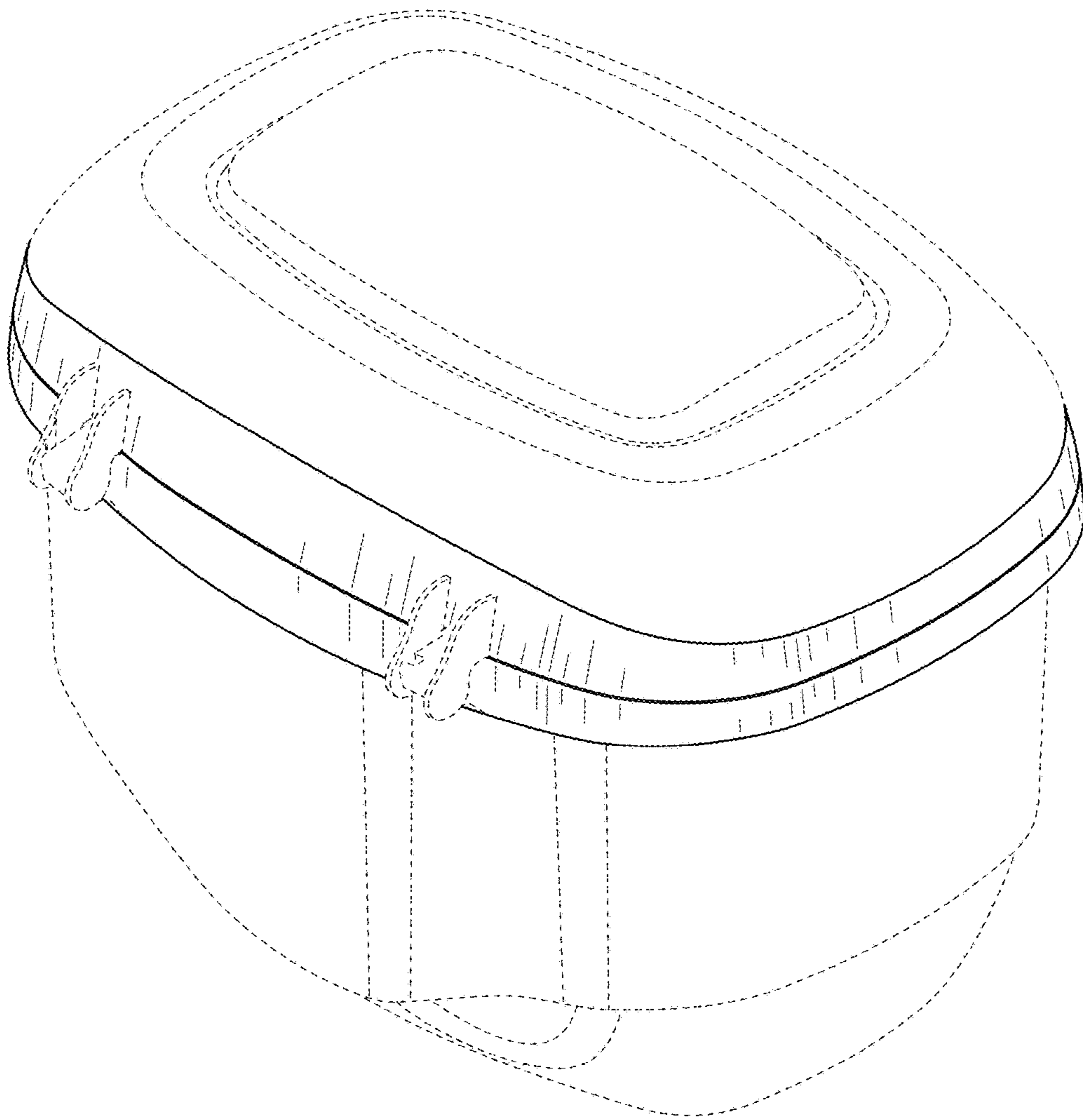


FIG. 8

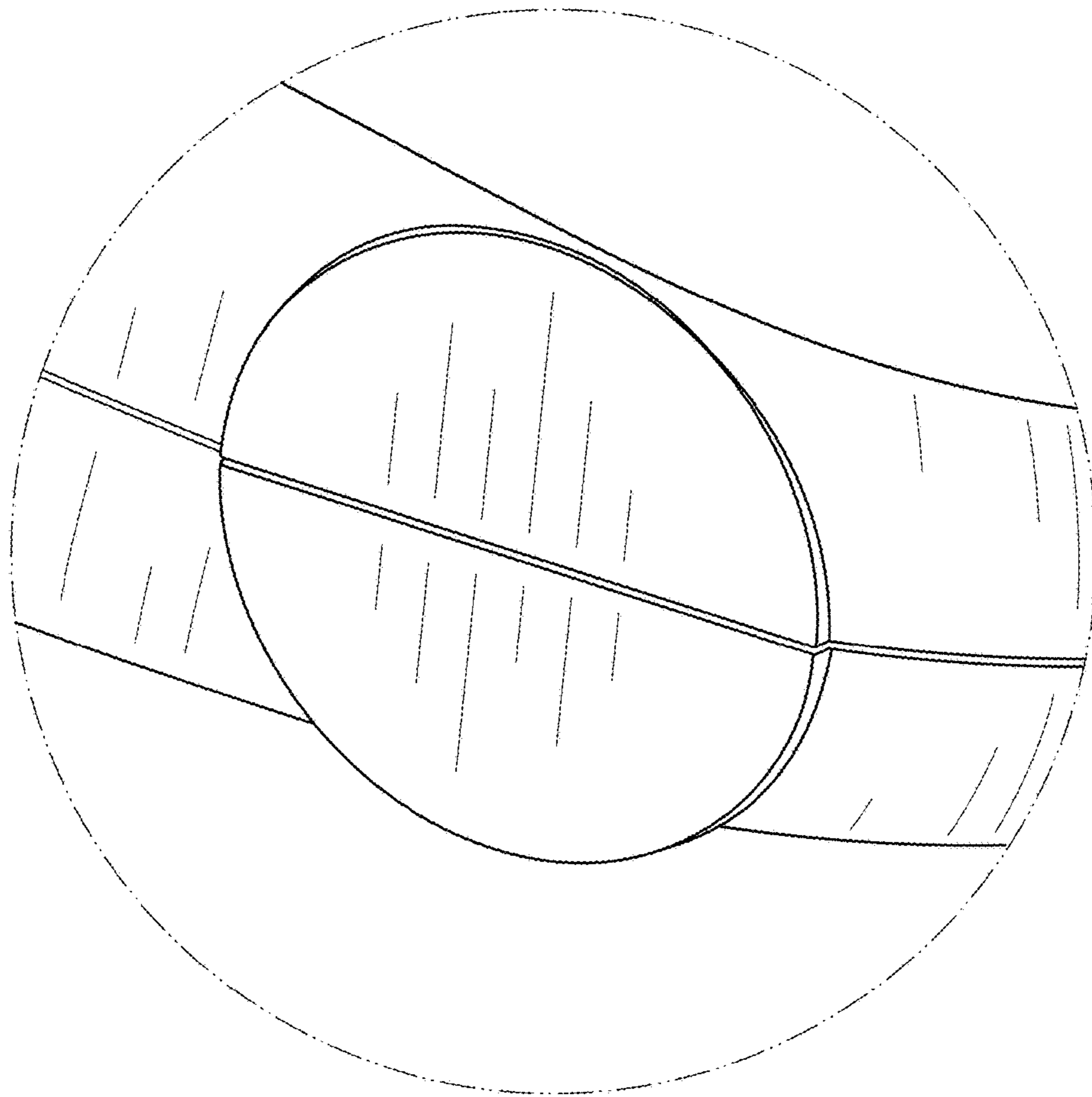


FIG. 9