



US00D837051S

(12) **United States Design Patent**
Dumville

(10) **Patent No.:** **US D837,051 S**
(45) **Date of Patent:** **** Jan. 1, 2019**

(54) **PACKAGING FOR TOBACCO PRODUCTS**

(71) Applicant: **PHILIP MORRIS PRODUCTS S.A.**,
Neuchatel (CH)

(72) Inventor: **Anthony Dumville**, Epesses (CH)

(73) Assignee: **Philip Morris Products S.A.**,
Neuchatel (CH)

(**) Term: **15 Years**

(21) Appl. No.: **35/503,076**

(22) Filed: **Nov. 29, 2016**

(80) **Hague Agreement Data**

Int. Filing Date: **Nov. 29, 2016**

Int. Reg. No.: **DM/095172**

Int. Reg. Date: **Nov. 29, 2016**

Int. Reg. Pub. Date: **Jun. 2, 2017**

(30) **Foreign Application Priority Data**

Jun. 2, 2016 (EM) 003169010-0001

Jun. 2, 2016 (EM) 003169010-0012

Jun. 2, 2016 (EM) 003169010-0013

Jun. 2, 2016 (EM) 003169010-0023

(51) **LOC (11) Cl.** **09-03**

(52) **U.S. Cl.**
USPC **D9/432**

(58) **Field of Classification Search**
USPC D27/186; D9/432; 229/145, 148, 225
CPC B65D 5/6667; B65D 5/66; B65D 5/543;
B65D 75/5894; A24F 15/12
See application file for complete search history.

(56) **References Cited**

U.S. PATENT DOCUMENTS

2,369,385 A * 2/1945 Carruth B65D 5/6608
206/273

2,369,387 A * 2/1945 Williamson B65D 5/6608
206/268

3,078,030 A * 2/1963 Gerton B65D 5/5425
229/146
D303,041 S * 8/1989 Thompson G04B 37/127
D27/186
4,862,431 A * 8/1989 Drouin G04B 37/127
131/270
4,951,862 A * 8/1990 Taddia B65D 5/6685
206/273
5,586,648 A * 12/1996 Focke B65D 85/1045
206/264

(Continued)

OTHER PUBLICATIONS

Philip Morris Launches New Type of Smokeless Cigarette, by
Vranks, dated Nov. 25, 2014, 21 pages. Found online Apr. 18, 2018
at <http://vaperanks.com/phillip-morris-launches-new-type-of-smokeless-cigarette/> (Year: 2014).*

(Continued)

Primary Examiner — Robert M. Spear
(74) *Attorney, Agent, or Firm* — Oblon, McClelland,
Maier & Neustadt, L.L.P.

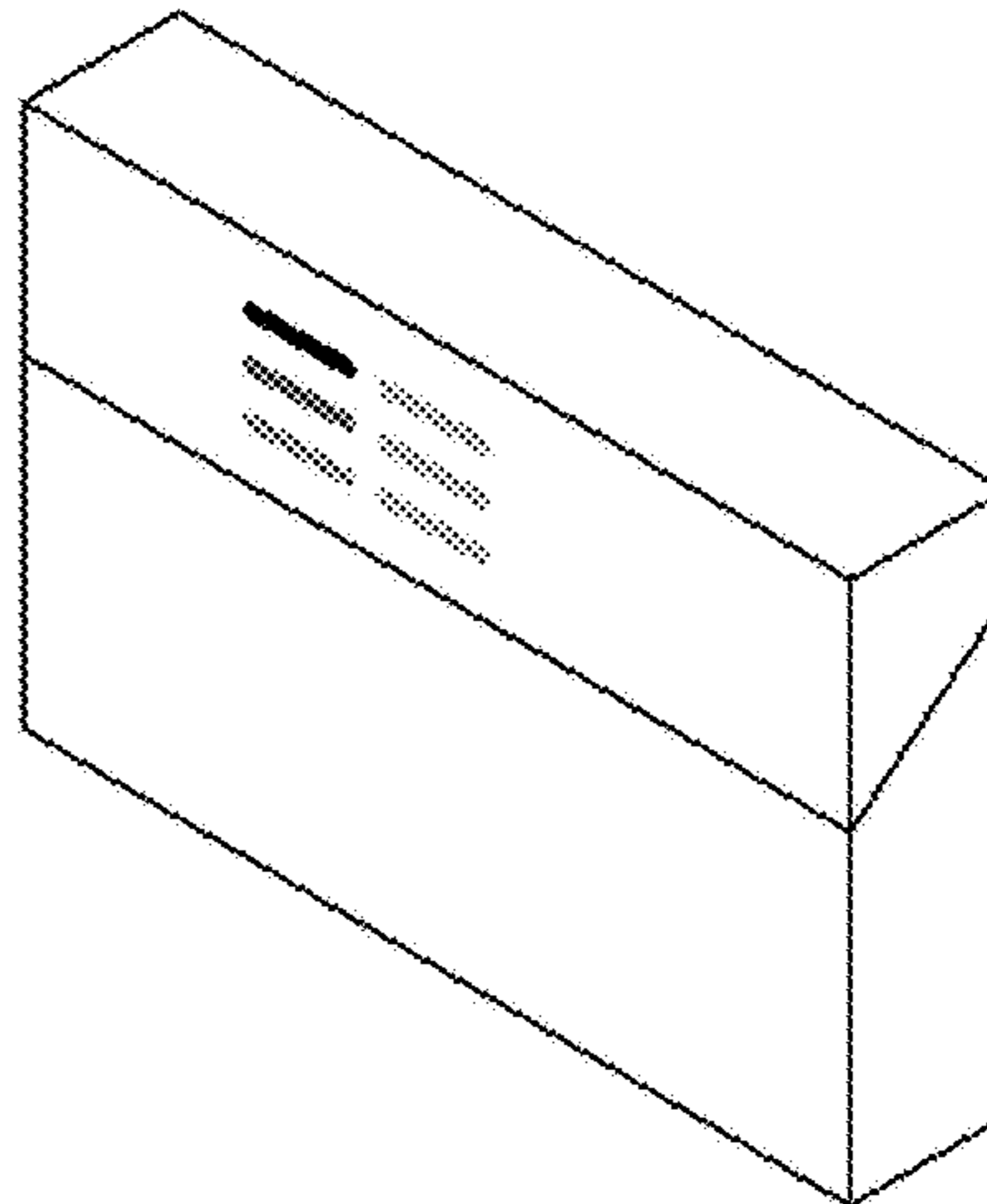
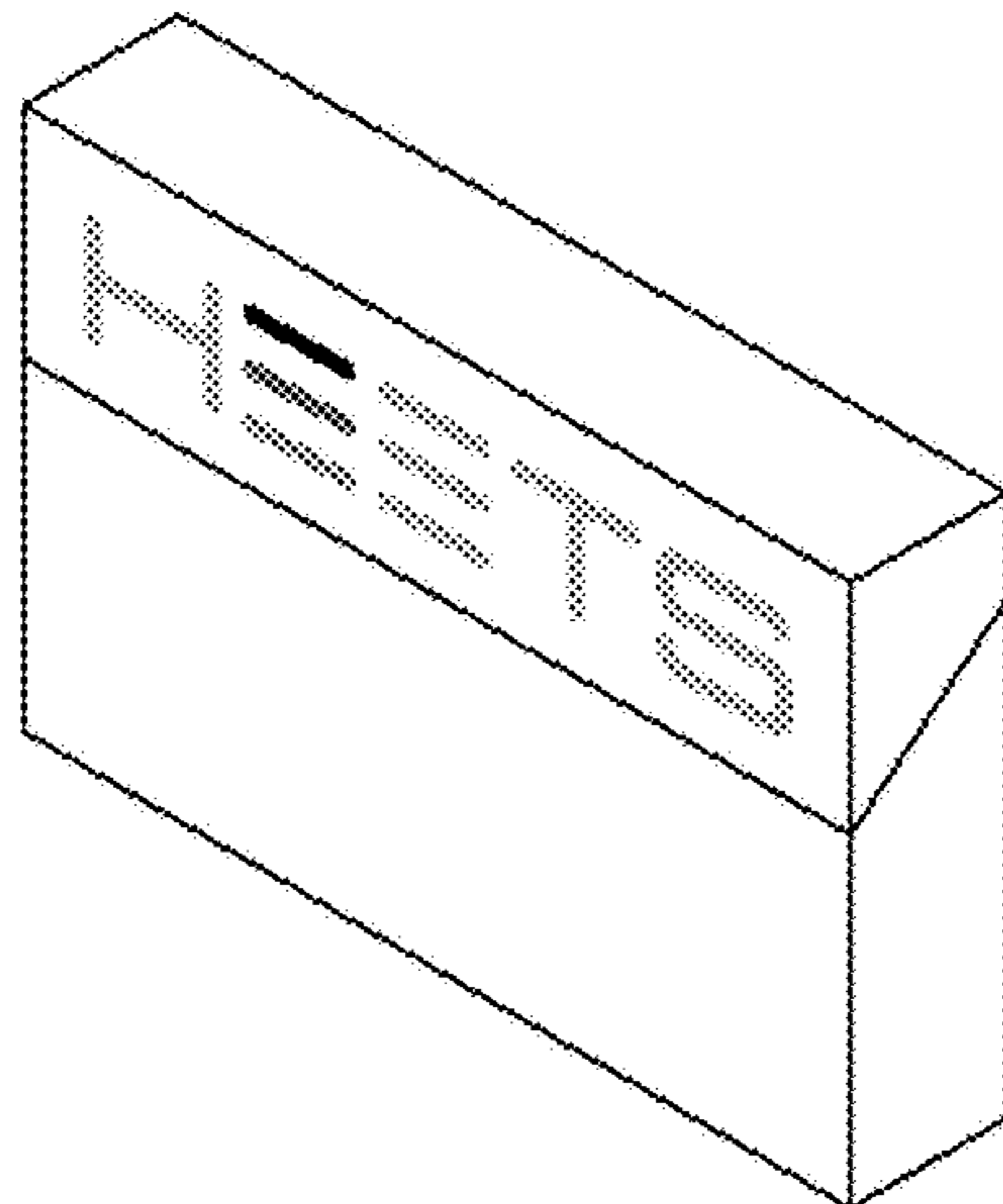
(57) **CLAIM**

The ornamental design for a packaging for tobacco products,
as shown and described.

DESCRIPTION

1.-2. Packaging for tobacco products
Designs 1 and 2: x.1 top right front perspective; x.2 front
elevational; x.3 rear elevational; x.4 left side; x.5 right side;
x.6 top plan; x.7 bottom plan; x.8 open lid perspective view;
packaging for tobacco products and aerosol releasing sub-
stances, lid can be opened by rotation about the rear folding
line; elements drawn in broken lines in the drawings are
shown for purposes of illustration only and do not form a
part of the claimed design; figure x.8 should only be a
reference view without limiting the scope of protection.

1 Claim, 16 Drawing Sheets



(56)

References Cited

U.S. PATENT DOCUMENTS

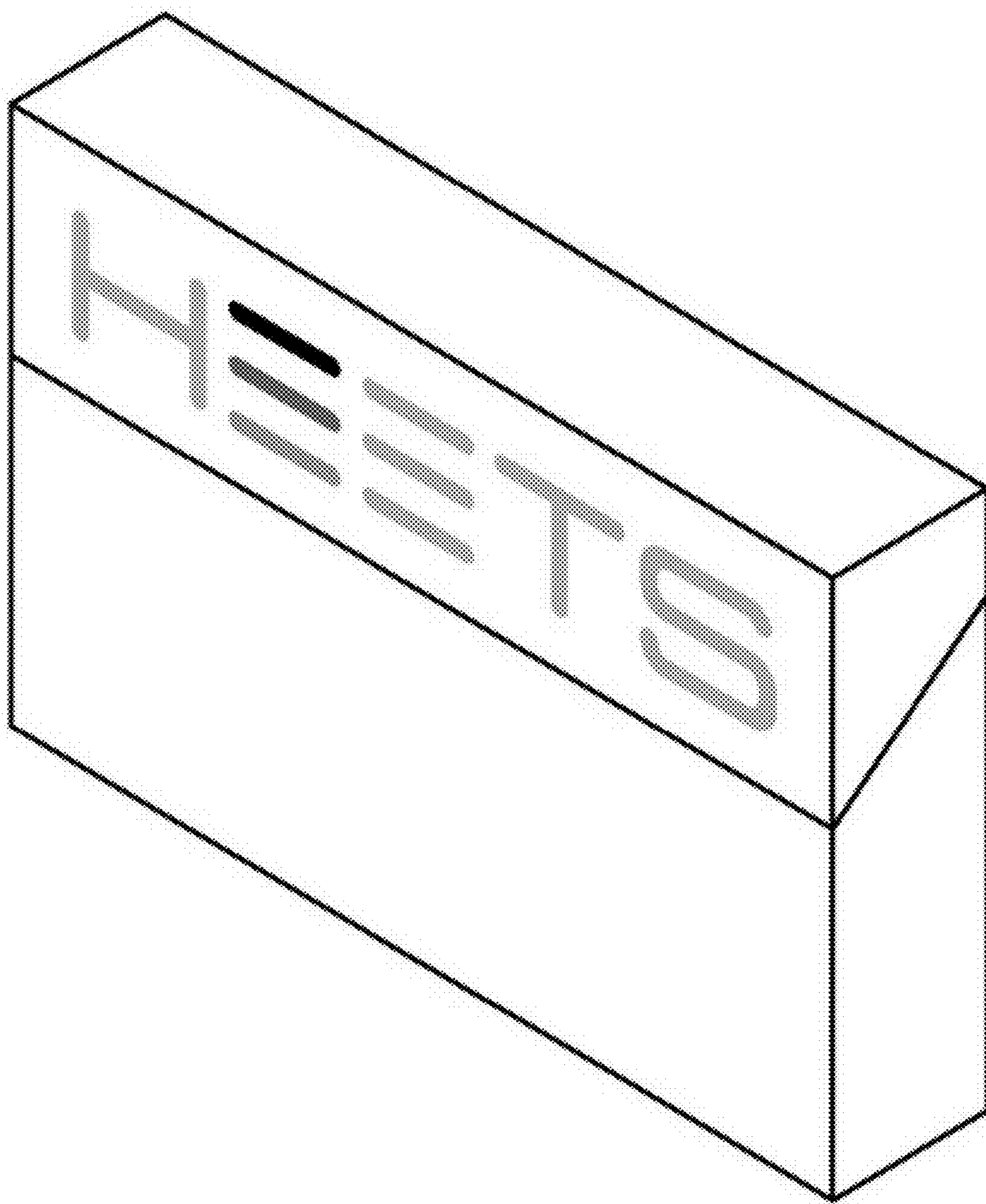
6,105,856 A * 8/2000 Kakiuchi B65D 5/4291
206/268
6,719,131 B1 * 4/2004 Focke B65D 5/6691
206/268
D624,816 S * 10/2010 Lutzig B65D 5/5425
D27/187
D642,456 S * 8/2011 Mittelstaedt B65D 5/6608
D9/432
8,567,598 B2 * 10/2013 Gibson B65D 5/6691
206/242
D705,053 S * 5/2014 Nameth D9/432
8,875,878 B2 * 11/2014 Young B65D 5/6691
206/268
D726,533 S * 4/2015 Northrup B65D 85/1045
D9/432
2006/0011498 A1 * 1/2006 Giannini B65D 85/1045
206/268
2006/0266662 A1 * 11/2006 Sugiharto B65D 85/109
206/86

OTHER PUBLICATIONS

Philip Morris Int. plans to launch its iQOS heatstick in the US, by Diane Caruana, dated Oct. 7, 2016, 3 pages. Found online Apr. 18, 2018 at <https://www.vapingpost.com/2016/10/07/philip-morris-int-plans-to-launch-its-iqos-heatstick-in-the-us/> (Year: 2016).*

* cited by examiner

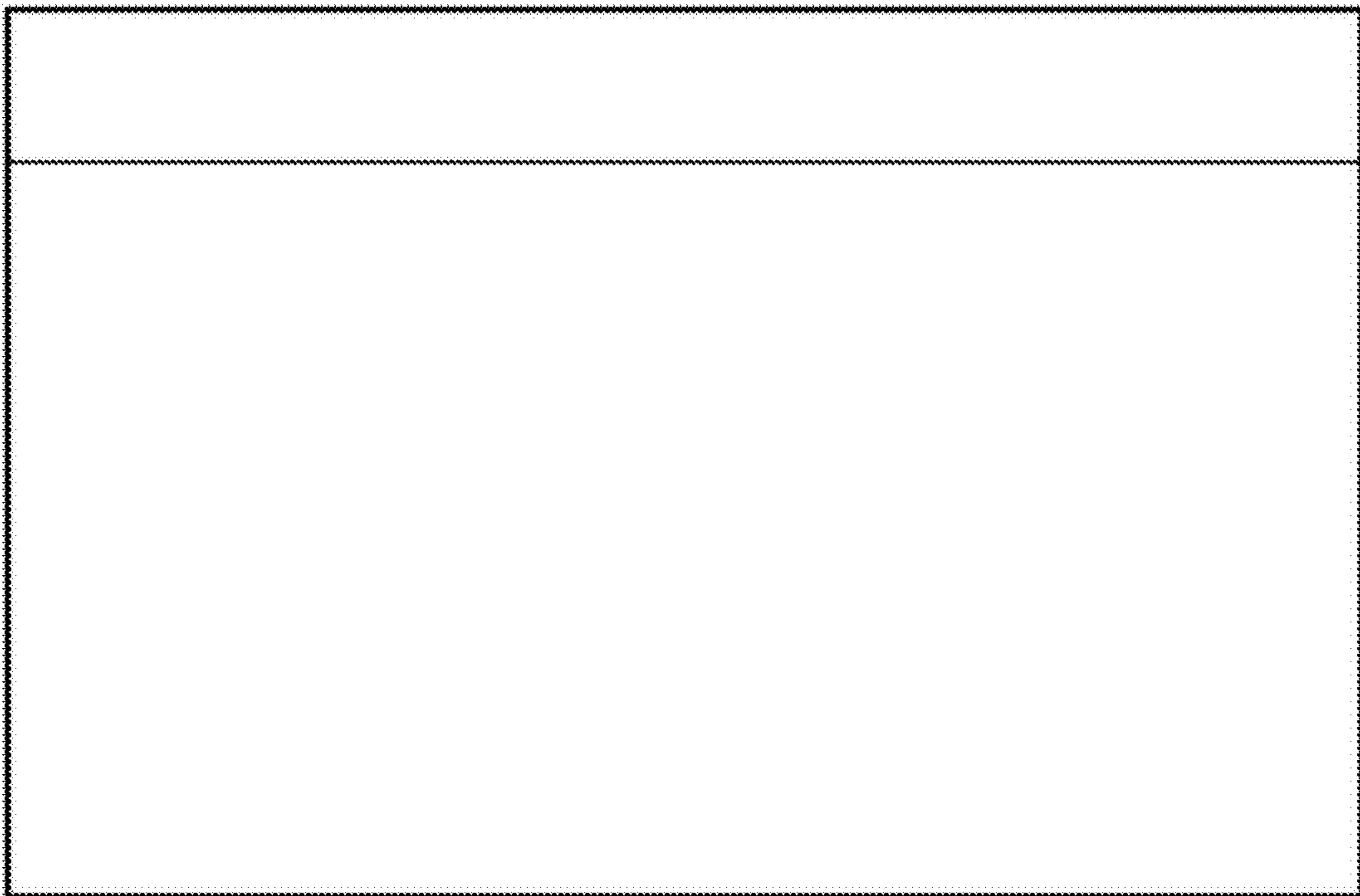
1.1



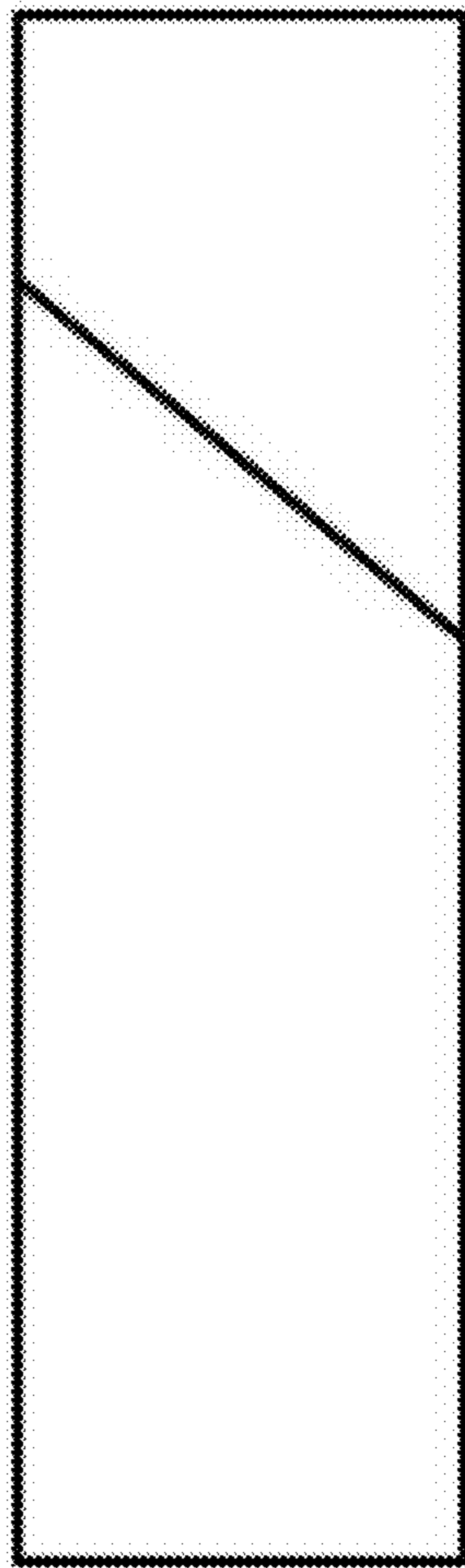
1.2



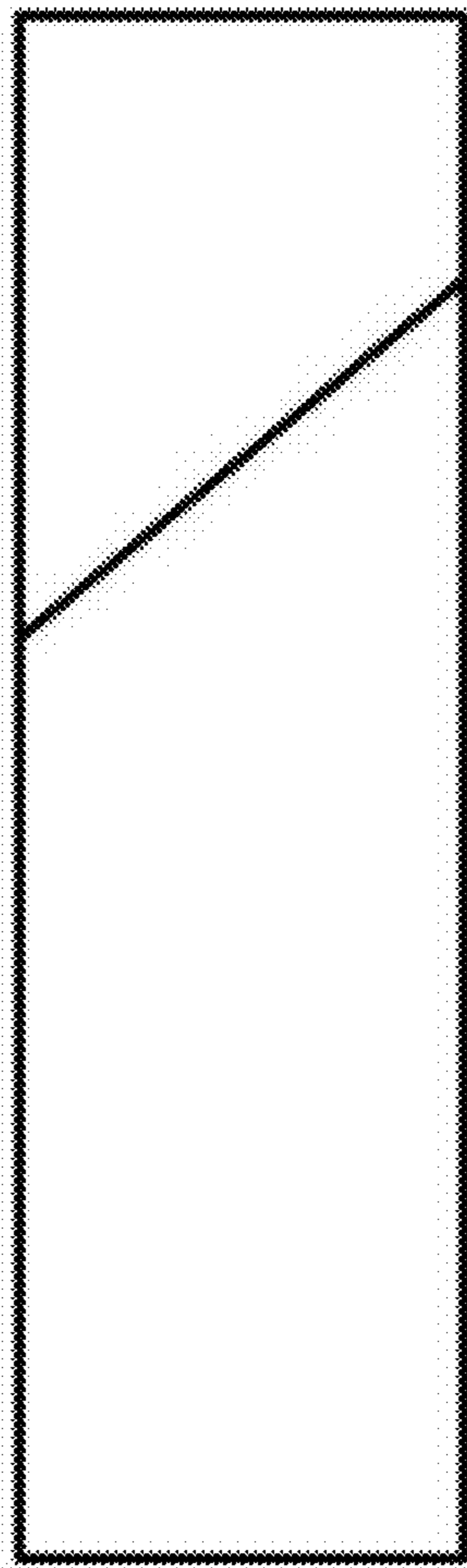
1.3



1.4



1.5



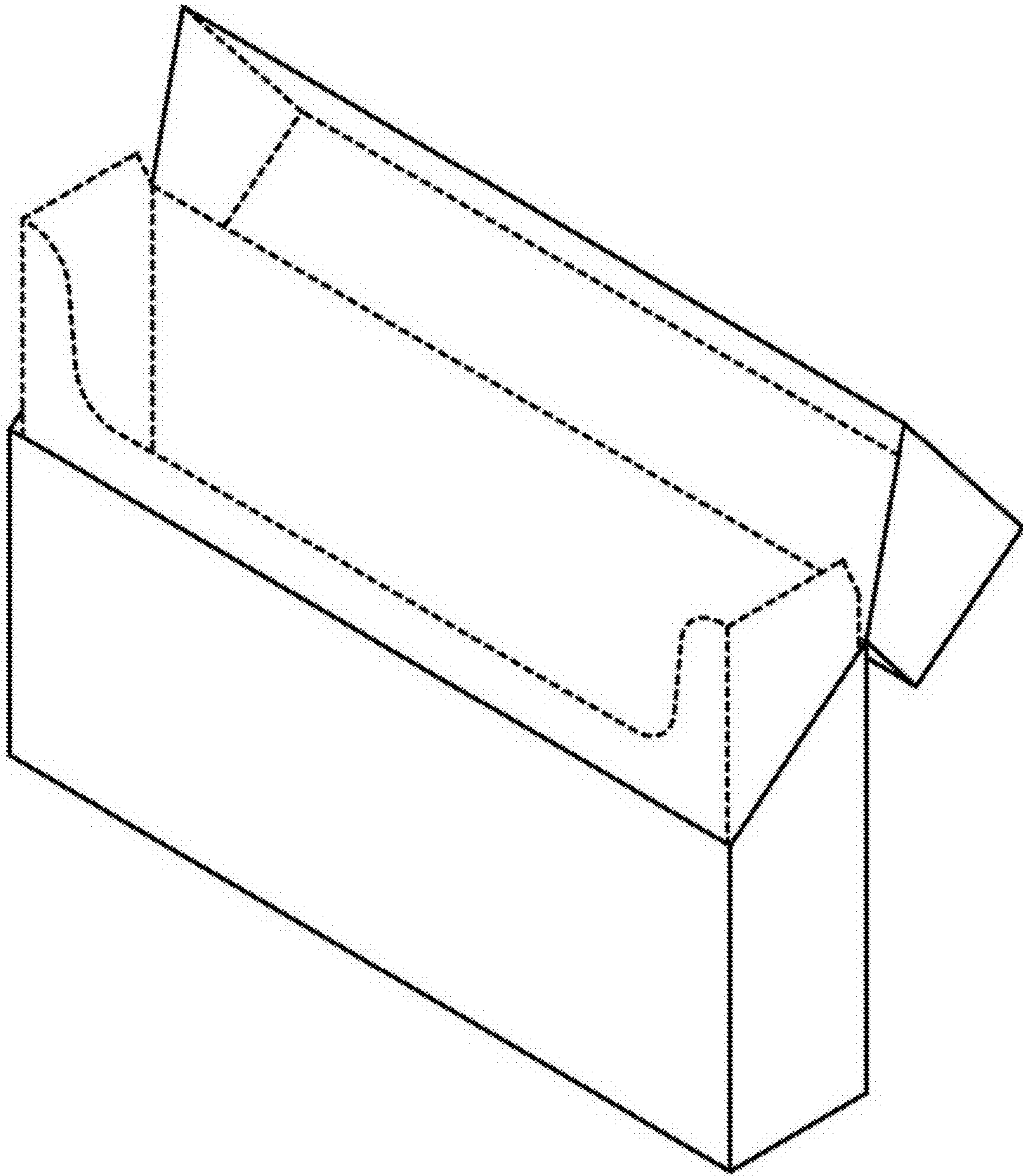
1.6



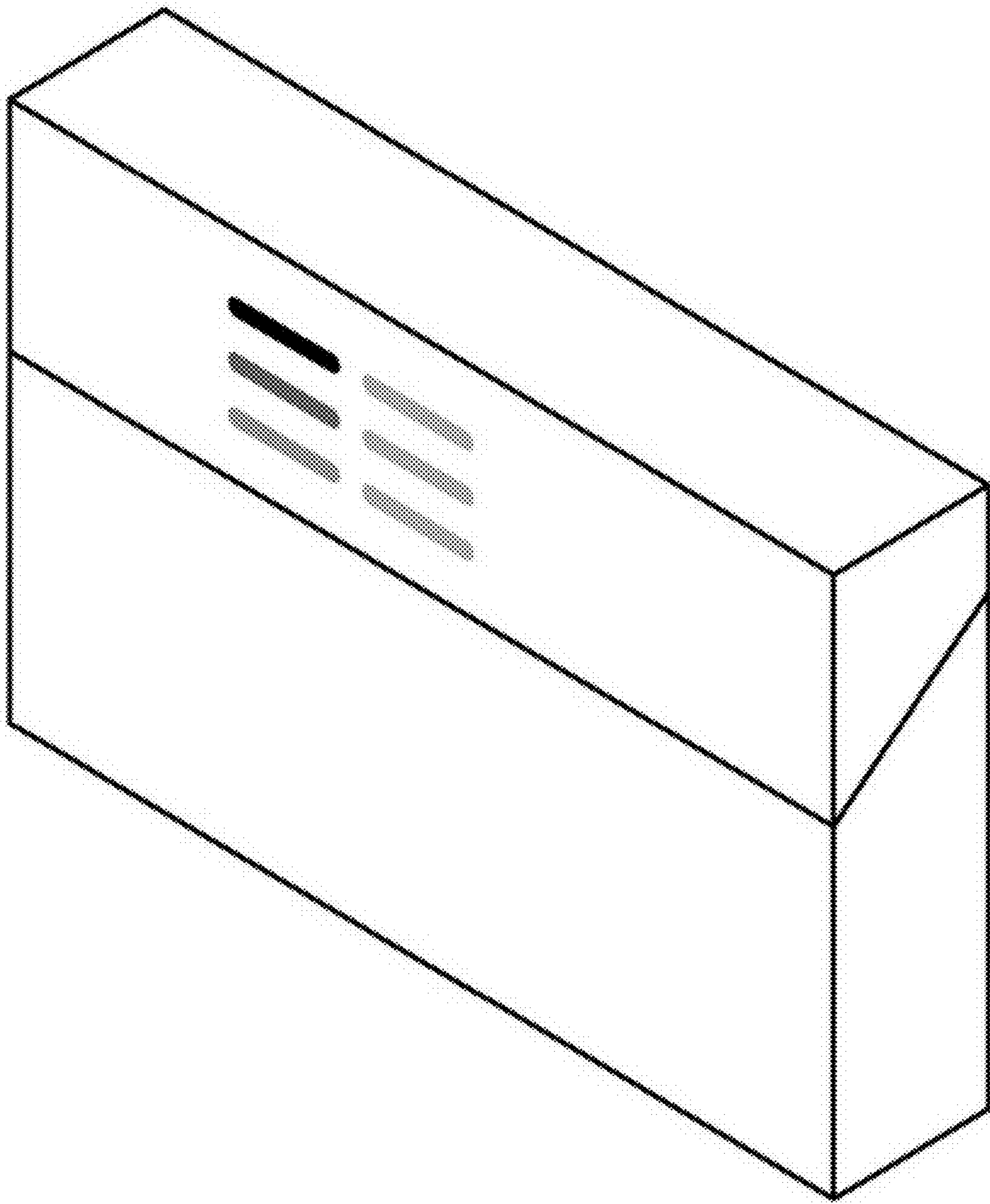
1.7



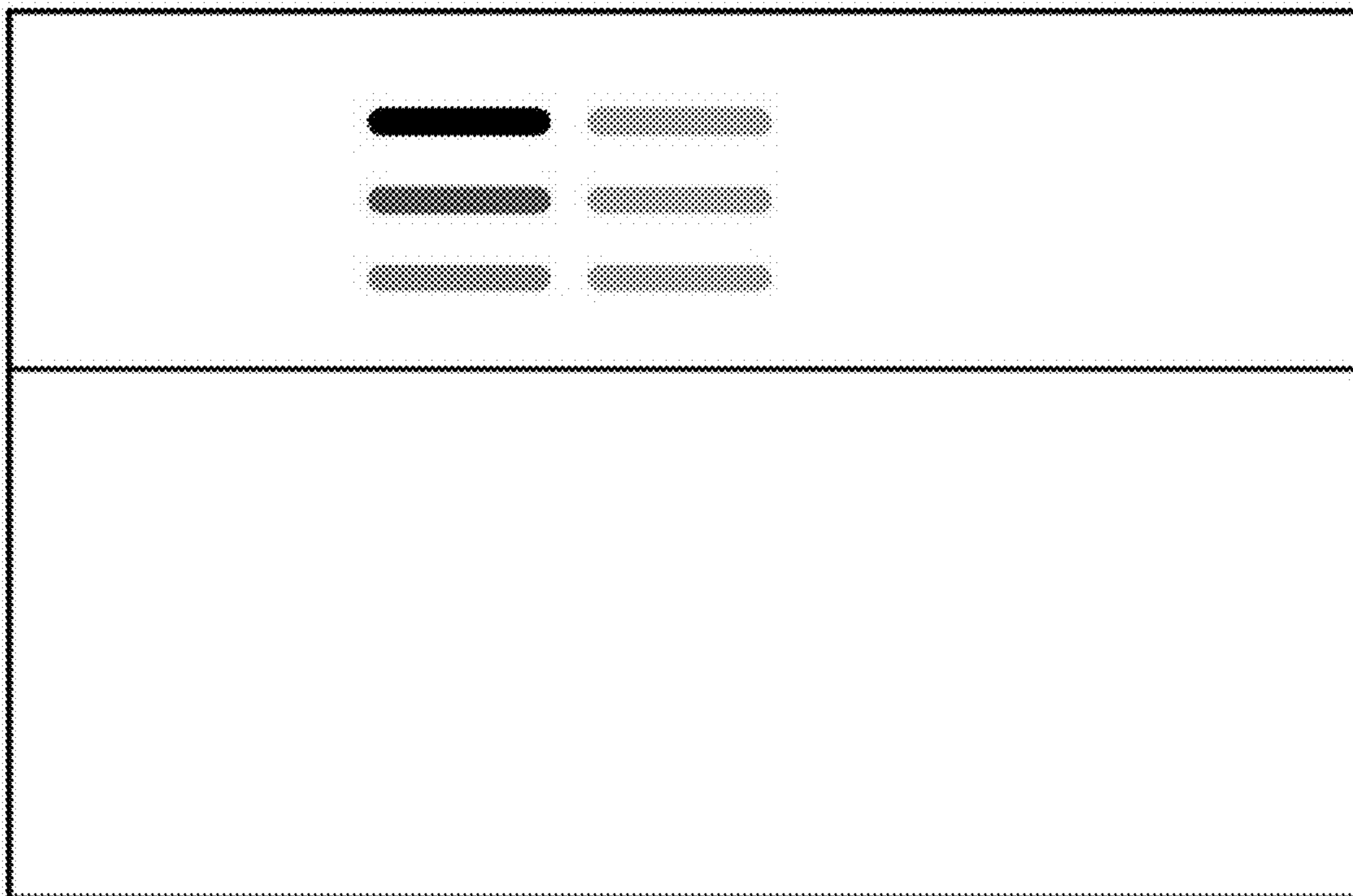
1.8



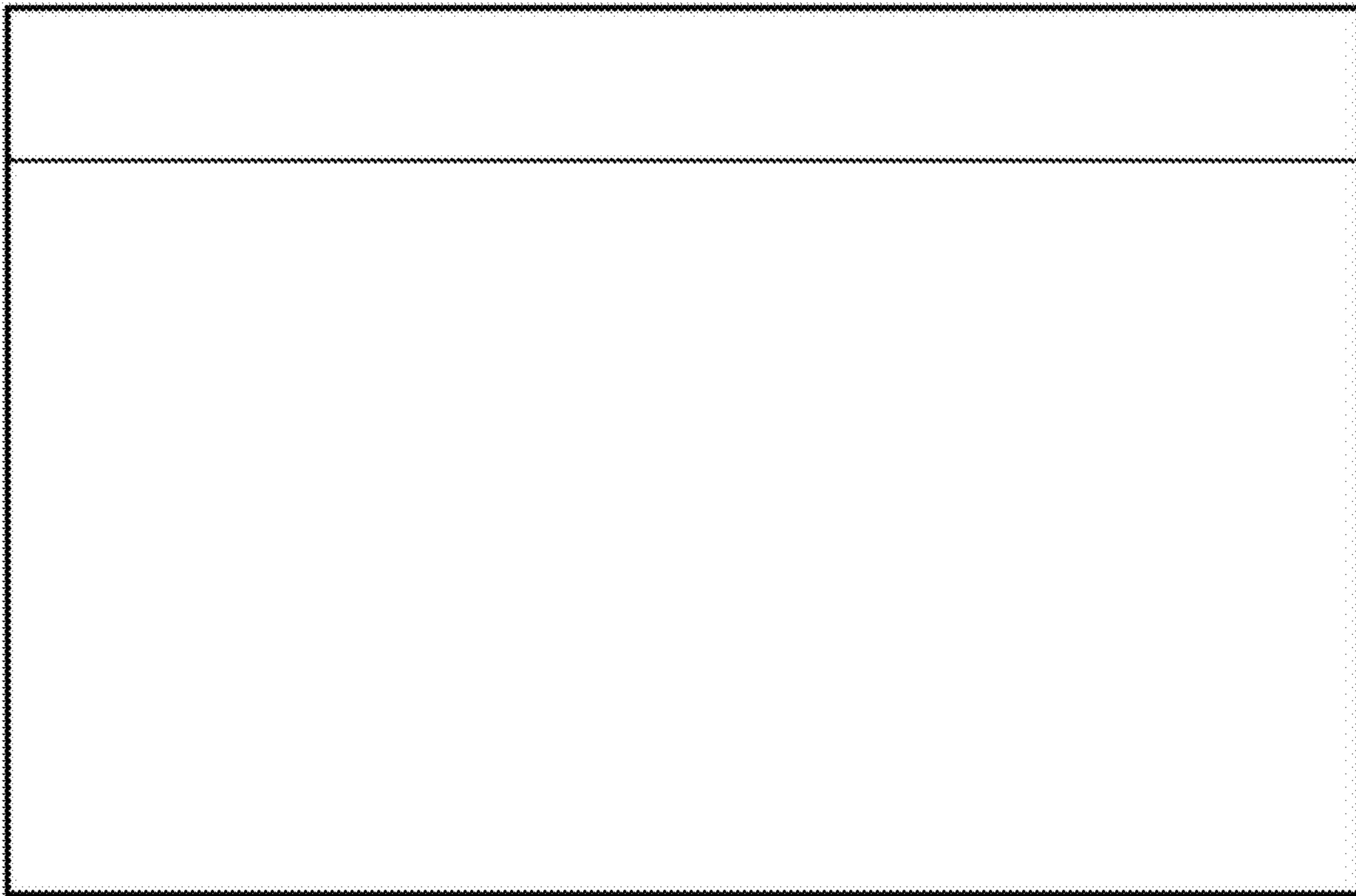
2.1



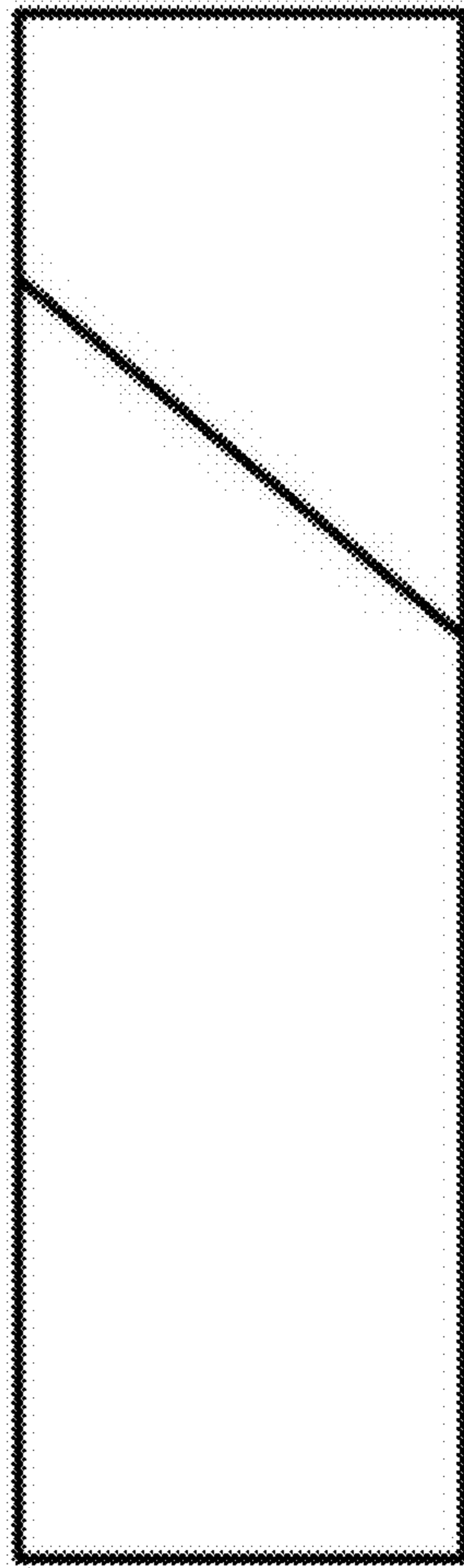
2.2



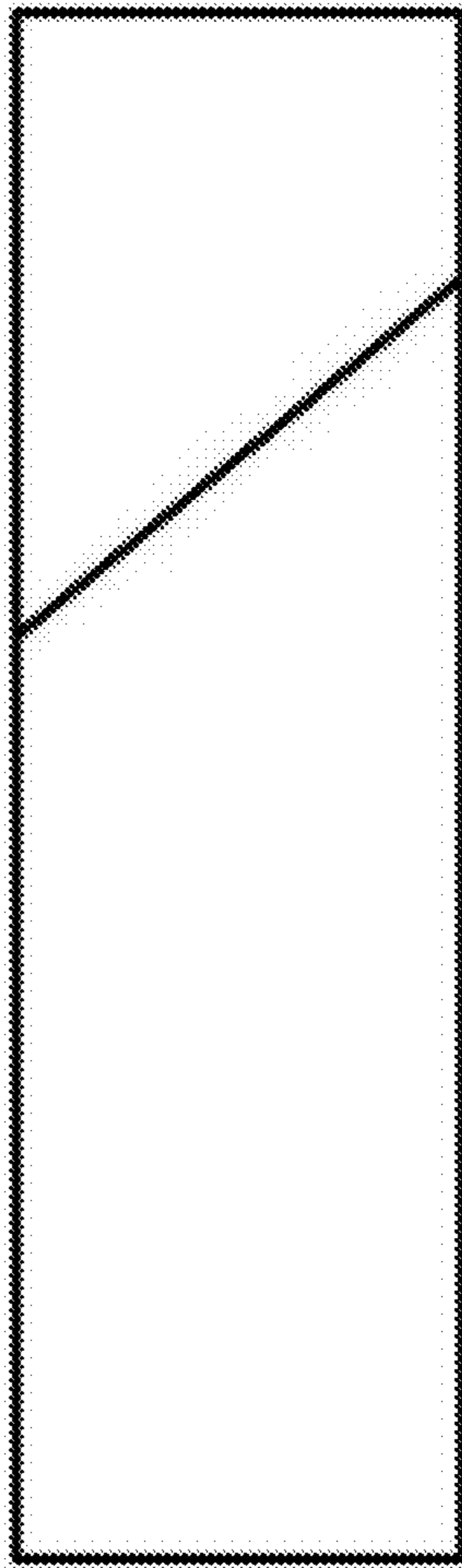
2.3



2.4



2.5



2.6



2.7



2.8

