



US00D837050S

(12) **United States Design Patent** (10) **Patent No.:** **US D837,050 S**  
**Moroni et al.** (45) **Date of Patent:** **\*\* Jan. 1, 2019**

(54) **LIQUID CONTAINER**  
(71) Applicant: **IPI S.r.l.**, San Sisto (PG) (IT)  
(72) Inventors: **Luca Moroni**, Perugia (IT); **Luca Paradiso**, Valsamoggia (IT)  
(73) Assignee: **IPI S.R.L.**, San Sisto (PG) (IT)  
(\*\*) Term: **15 Years**  
(21) Appl. No.: **29/602,485**  
(22) Filed: **May 1, 2017**  
(51) **LOC (11) Cl.** ..... **09-03**  
(52) **U.S. Cl.**  
USPC ..... **D9/432**  
(58) **Field of Classification Search**  
USPC ..... D9/414-434, 442-445, 456, 457, 542,  
D9/563, 600, 614-624, 648, 655, 657,  
D9/658, 661, 685, 696, 697-699, 707,  
D9/711, 754, 759, 772-776; D7/601,  
D7/602, 709; D3/273, 276, 304, 309-313  
CPC ..... B65D 5/00; B65D 5/001; B65D 5/0015;  
B65D 5/0227-5/0254; B65D 5/18; B65D  
5/38; B65D 5/40; B65D 5/2033; B65D  
5/48024; B65D 5/6605; B65D 1/22;  
B65D 1/24; B65D 1/34; B65B 5/06  
See application file for complete search history.

D697,789 S \* 1/2014 Gerdes ..... D9/417  
D714,638 S \* 10/2014 Mohn ..... D9/432  
D715,640 S \* 10/2014 Okezawa ..... D9/430  
D728,364 S \* 5/2015 Baker ..... D9/432

(Continued)

**FOREIGN PATENT DOCUMENTS**

CN 201330176535 \* 5/2013  
CN 201530033323 \* 2/2015

**OTHER PUBLICATIONS**

Life Juices Repackaging. Online, published date Oct. 31, 2016.  
Retrieved on Mar. 23, 2018 from URL: <http://georgeprobonas.com/project/life-juices-repackaging/>.\*

(Continued)

*Primary Examiner* — Karen S Acker  
*Assistant Examiner* — Omeed Agilee  
(74) *Attorney, Agent, or Firm* — Lucas & Mercanti, LLP

(57) **CLAIM**

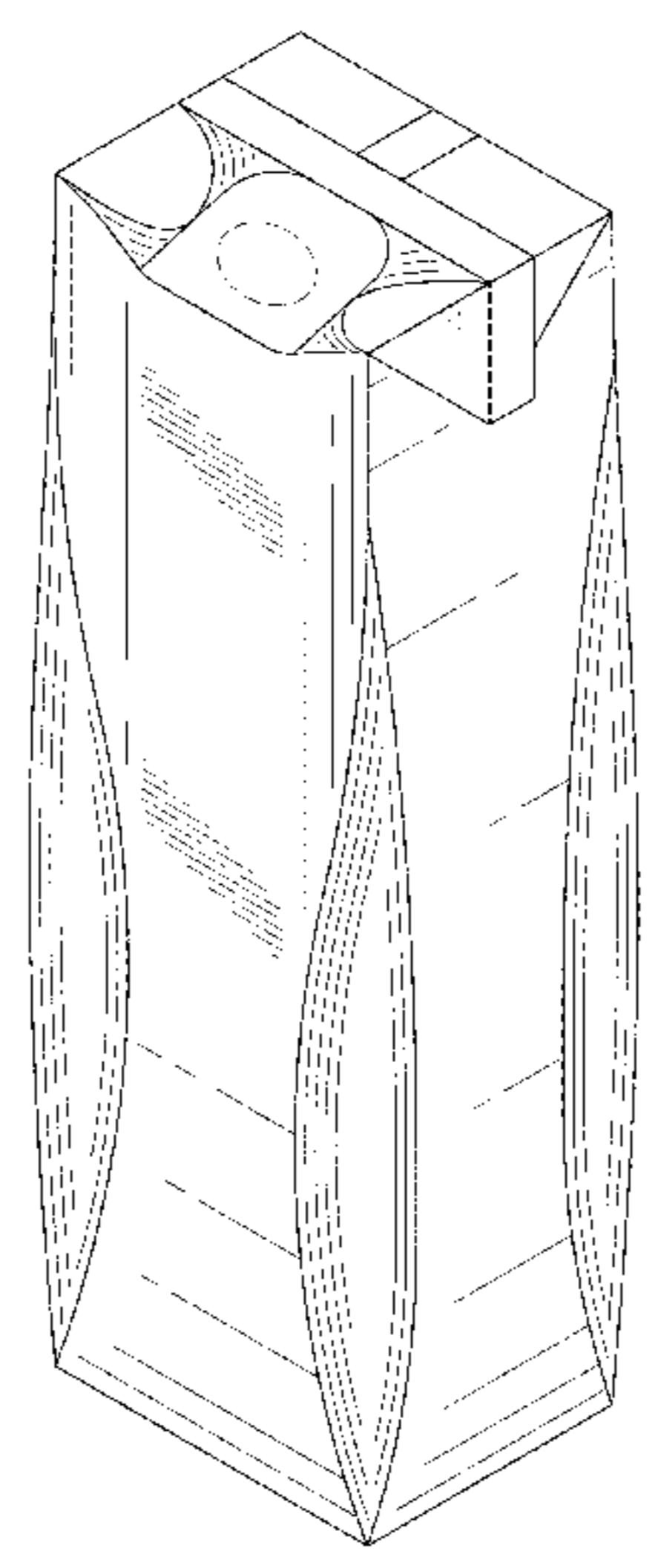
The ornamental design for a liquid container, as shown and described.

**DESCRIPTION**

FIG. 1 is a front view thereof;  
FIG. 2 is a first side view thereof;  
FIG. 3 is a second side view thereof;  
FIG. 4 is a top view thereof;  
FIG. 5 is a bottom view thereof;  
FIG. 6 is a front perspective view thereof; and,  
FIG. 7 is a back perspective view thereof.  
The evenly spaced broken lines in FIGS. 1 and 4-7 depict environmental subject matter that forms no part of the claimed design. The dot-dash-dot broken lines in FIG. 5 depict the boundaries of the claim and form no part thereof. Lines and areas within those boundaries form no part of the claimed design.

**1 Claim, 7 Drawing Sheets**

(56) **References Cited**  
**U.S. PATENT DOCUMENTS**  
3,795,359 A \* 3/1974 Rausing ..... B65D 5/065  
229/120  
6,929,171 B1 \* 8/2005 Thiersch ..... B65D 5/029  
229/108  
D562,129 S \* 2/2008 Kortsmid ..... D9/430  
D596,027 S \* 7/2009 Kalberer ..... D9/432  
D598,745 S \* 8/2009 Bohache ..... D9/430  
D652,316 S \* 1/2012 Ren ..... D9/432  
D657,239 S \* 4/2012 Gavrilencov ..... D9/432  
D676,742 S \* 2/2013 Walter ..... D9/434  
D691,471 S \* 10/2013 Walter ..... D9/434



(56)

**References Cited**

U.S. PATENT DOCUMENTS

D734,144	S	*	7/2015	Sanfilippo	.....	D9/416
D748,470	S	*	2/2016	Mohn	.....	D9/432
D754,534	S	*	4/2016	Sanfilippo	.....	D9/432
D764,283	S	*	8/2016	Mohn	.....	D9/432
D764,284	S	*	8/2016	Mohn	.....	D9/432
D795,686	S	*	8/2017	Mohn	.....	D9/417
2008/0296359	A1	*	12/2008	Kortsmit	.....	B65D 5/067 229/136

OTHER PUBLICATIONS

CHI Limited Introduces Chivita Active Vegetable, Fruit Nectar into Nigerian Market. Online, published date May 5, 2016. Retrieved on Mar. 23, 2018 from URL: <http://www.brandessencenigeria.com/chi-limited-introduces-chivita-active-vegetable-fruit-nectar-into-nigerian-market/>.\*

\* cited by examiner

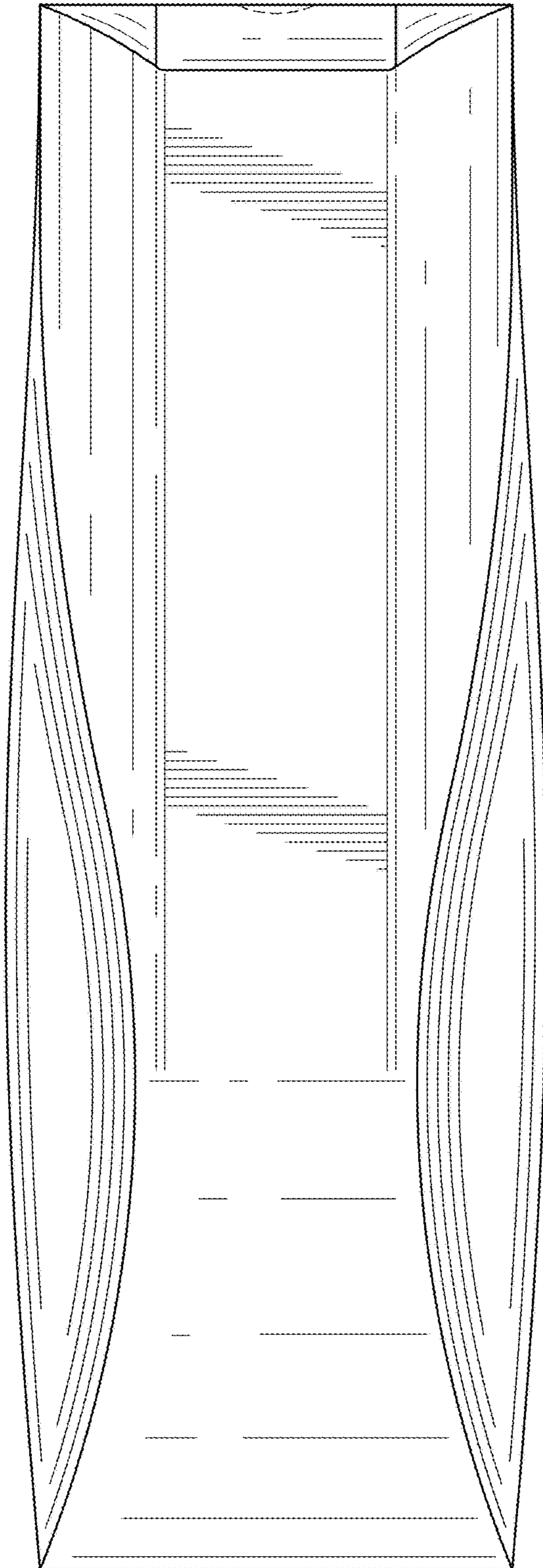


FIG. 1

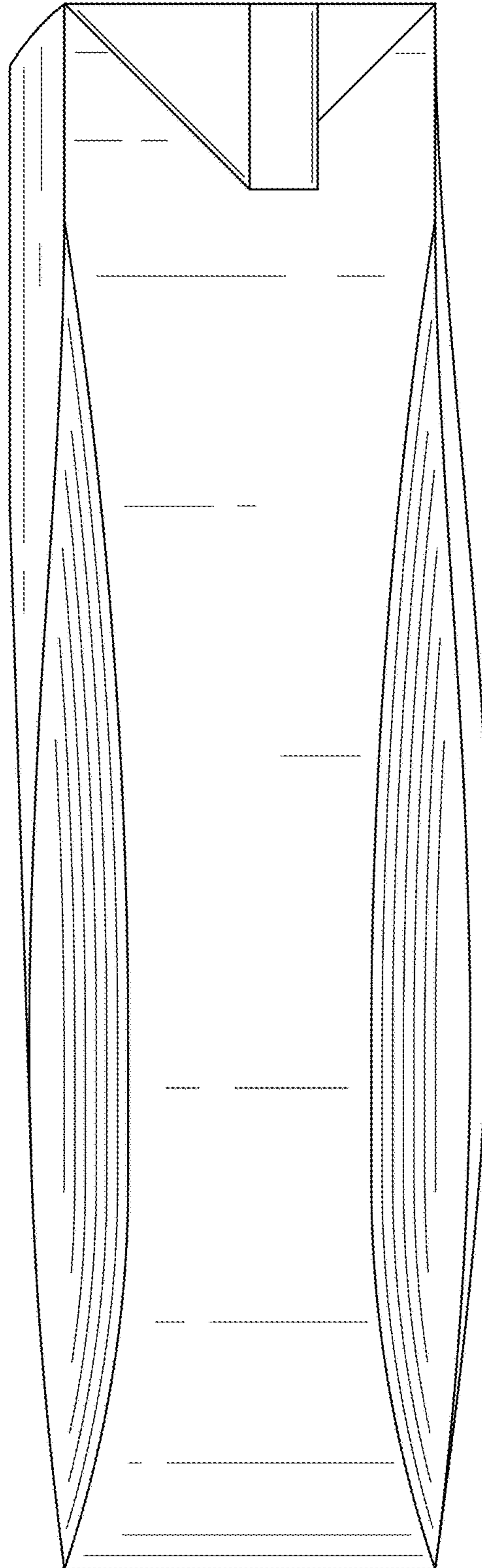


FIG. 2

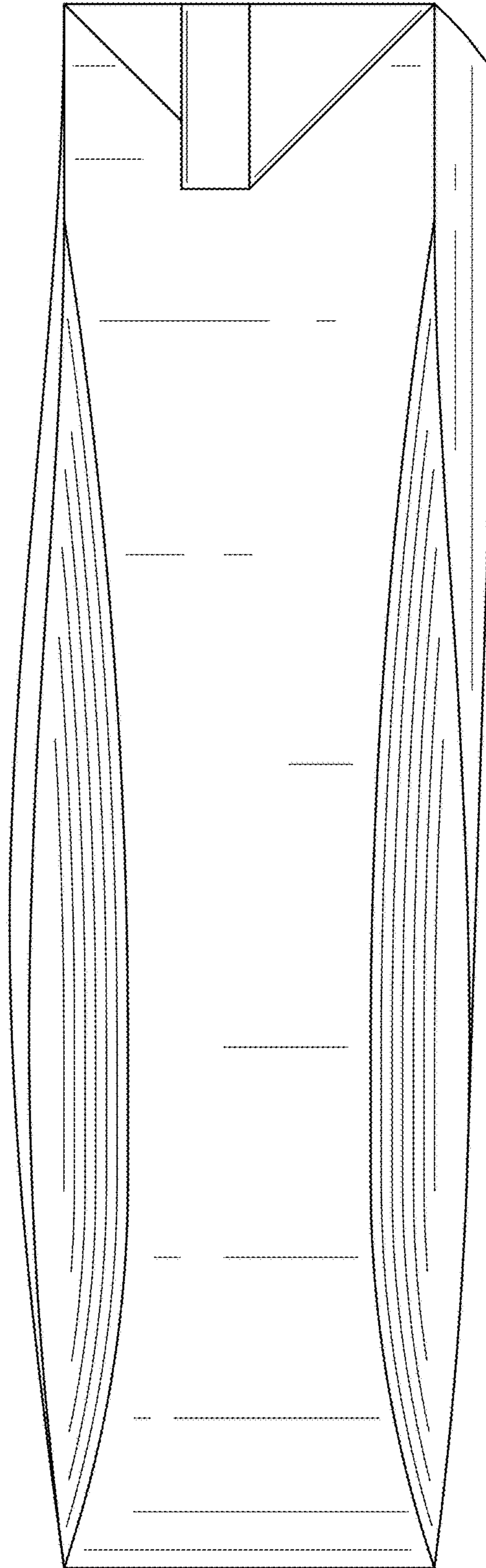


FIG. 3

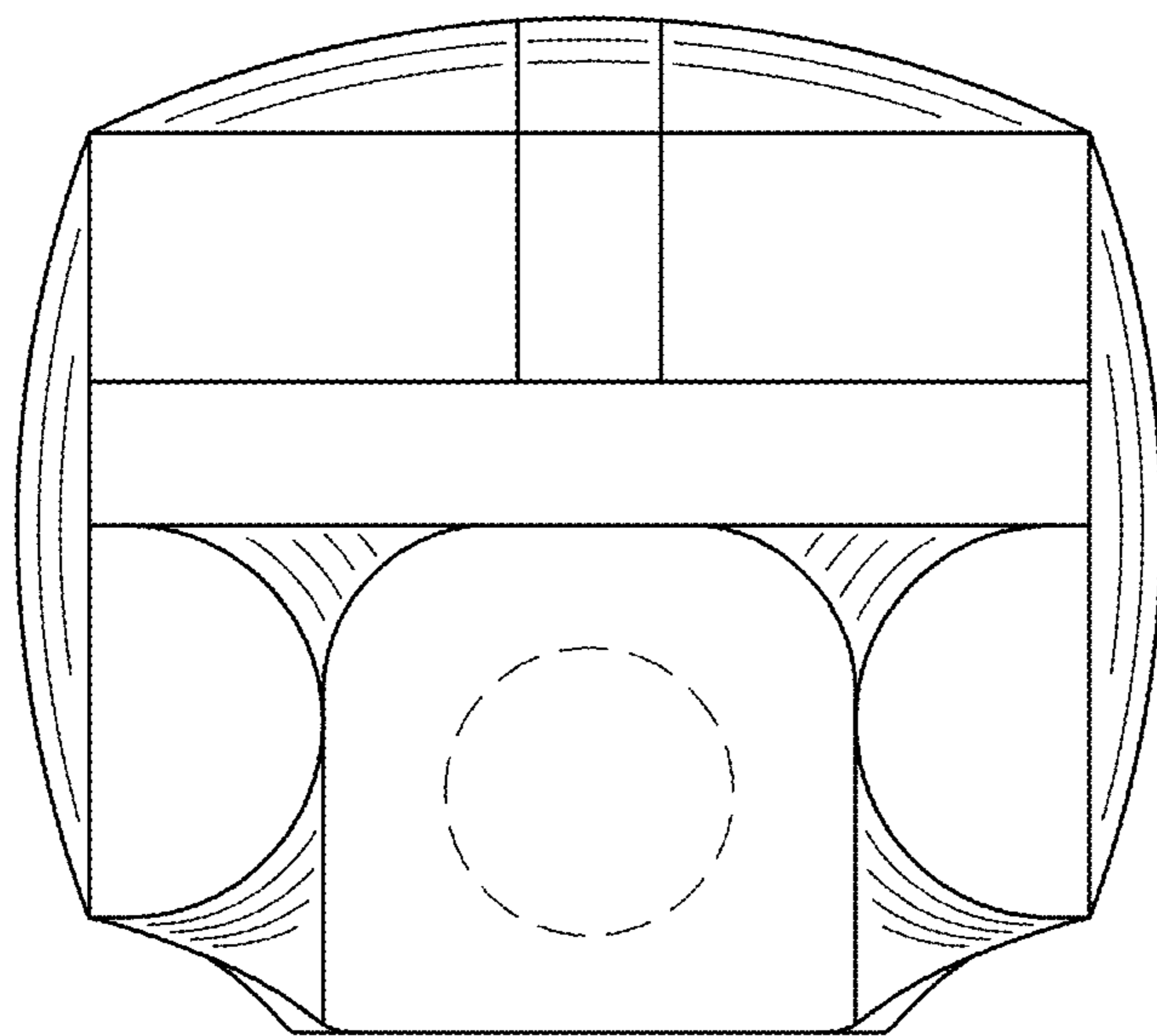


FIG. 4

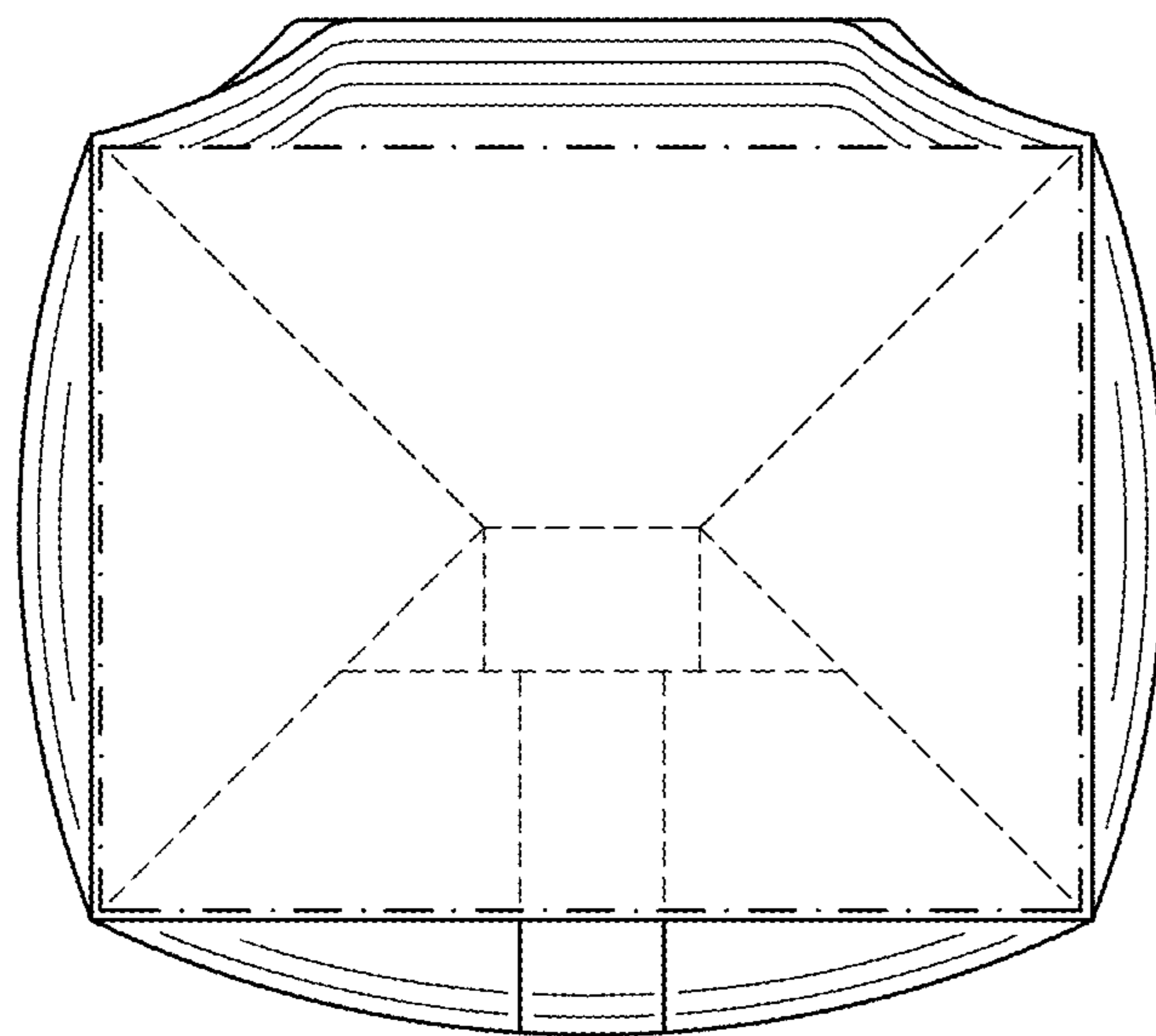


FIG. 5

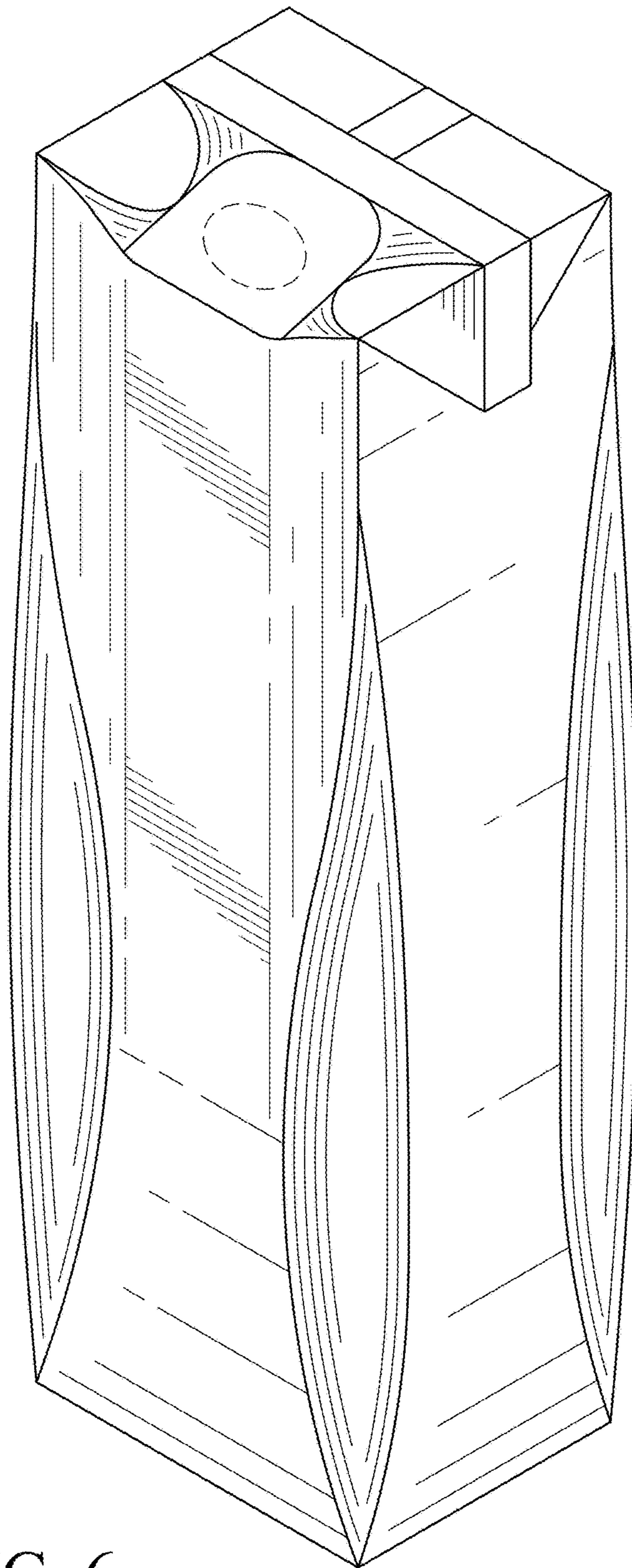


FIG. 6



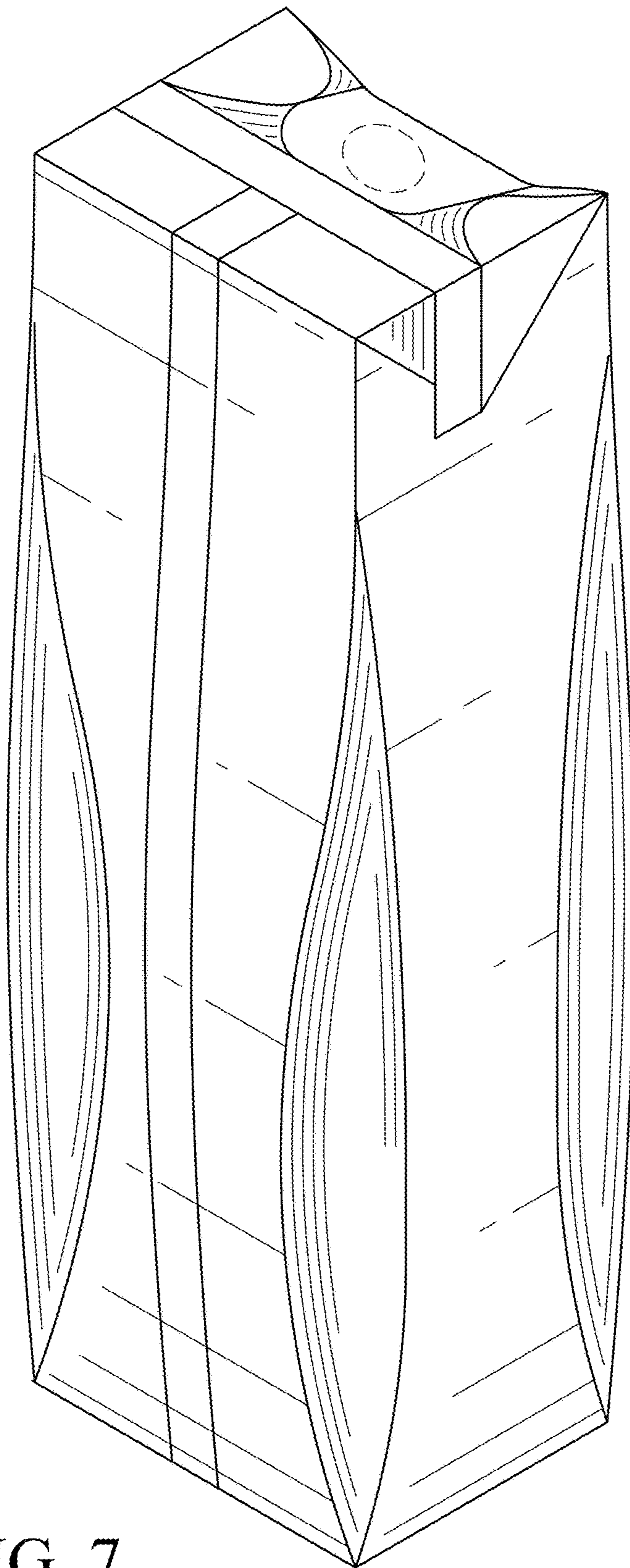


FIG. 7