



US00D837049S

(12) **United States Design Patent**  
**Sumiya et al.**

(10) **Patent No.:** **US D837,049 S**  
(45) **Date of Patent:** **\*\* Jan. 1, 2019**

(54) **PACKAGING CONTAINER**

**DESCRIPTION**

- (71) Applicant: **FUJIFILM CORPORATION**,  
Minato-ku, Tokyo (JP)
- (72) Inventors: **Yosuke Sumiya**, Kanagawa (JP);  
**Katsuki Asano**, Kanagawa (JP);  
**Chihiro Yamamoto**, Kanagawa (JP)
- (73) Assignee: **FUJIFILM CORPORATION**, Tokyo  
(JP)
- (\*\*) Term: **15 Years**
- (21) Appl. No.: **29/543,084**
- (22) Filed: **Oct. 21, 2015**
- (30) **Foreign Application Priority Data**  
Apr. 27, 2015 (JP) ..... 2015-009475
- (51) **LOC (11) Cl.** ..... **09-03**
- (52) **U.S. Cl.**  
USPC ..... **D9/420**
- (58) **Field of Classification Search**  
USPC ..... D9/199, 414-416, 418, 420, 423-426,  
D9/428-430, 432-435, 455-457, 499,  
(Continued)

(56) **References Cited**

**U.S. PATENT DOCUMENTS**

- 1,140,765 A \* 5/1915 Payne ..... B65D 5/32  
229/122.21
- D219,369 S \* 12/1970 Silverstein ..... D6/634  
(Continued)

*Primary Examiner* — Barbara Fox  
*Assistant Examiner* — Mehri F Bajoul  
 (74) *Attorney, Agent, or Firm* — SOLARIS Intellectual  
 Property Group, PLLC

(57) **CLAIM**

The ornamental design for a packaging container, as shown and described.

FIG. 1 is a front view of a packaging container showing our new design;  
 FIG. 2 is a rear view thereof;  
 FIG. 3 is a top view of the packaging container, the bottom side, not shown, being a mirror image thereof;  
 FIG. 4 is a right side view thereof;  
 FIG. 5 is a left side view thereof;  
 FIG. 6 is a perspective view thereof;  
 FIG. 7 is a perspective view thereof, in which the container body is in an opened state;  
 FIG. 8 is a perspective reference view thereof, in which the container body is in an opened state and the label is detached from the container body, shown for clarity of disclosure;  
 FIG. 9 is a perspective view of the container body of the packaging container in an open state with the label removed, shown for clarity of disclosure;  
 FIG. 10 is a top view of the label of the packaging container, shown separately for clarity of disclosure;  
 FIG. 11 is a front view of the label of the packaging container, shown separately for clarity of disclosure;  
 FIG. 12 is a left side view of the label of the packaging container, shown separately for clarity of disclosure; and,  
 FIG. 13 is a perspective view of the label of the packaging container, shown separately for clarity of disclosure.

A bottom view of the packaging container is omitted, it being understood that the bottom view of the packaging container is a substantial mirror image of the top view of the packaging container shown in FIG. 3.

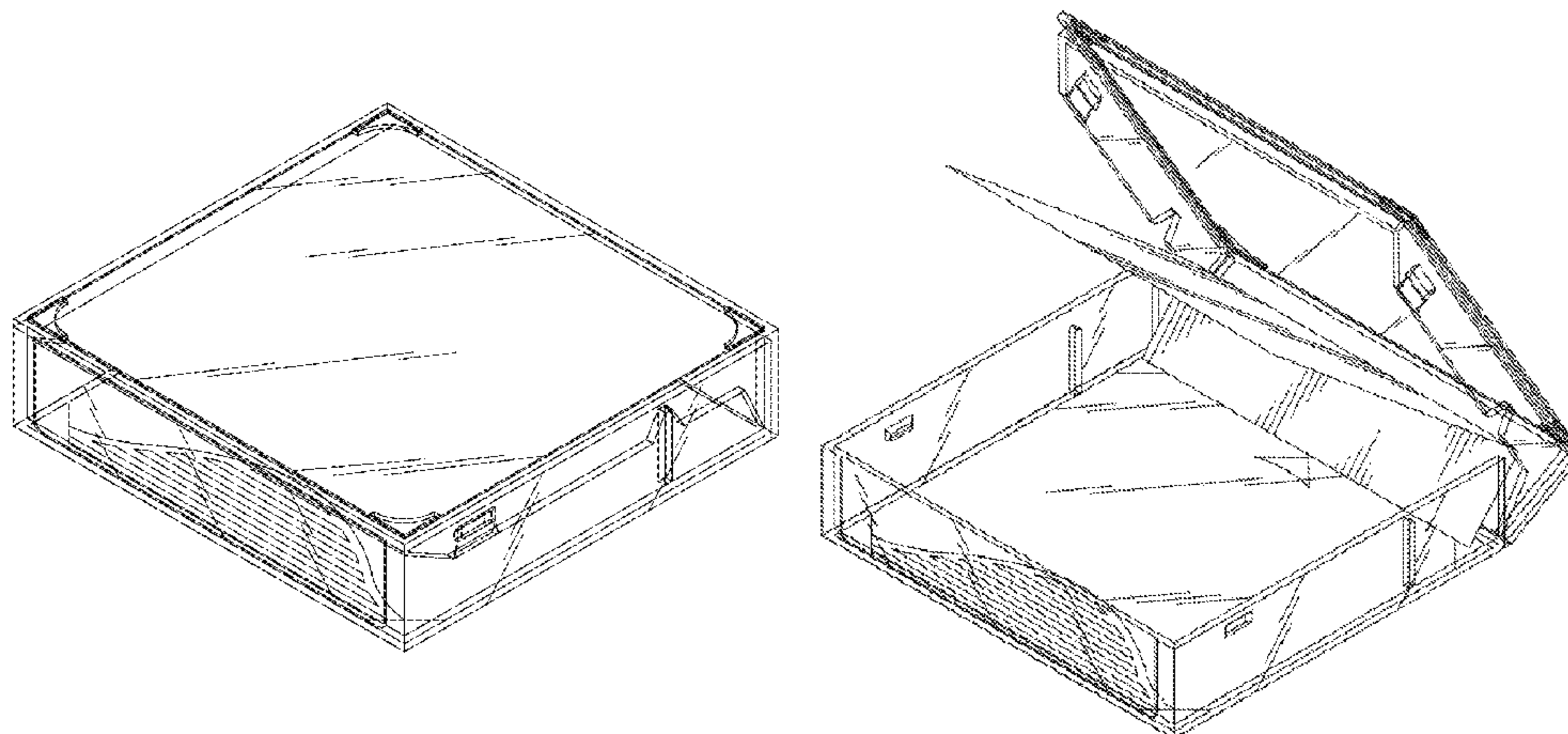
A bottom view of the label of the packaging container is omitted, it being understood that the bottom view of the label is a substantial mirror image of the top view of the label shown FIG. 10.

A rear view of the label of the packaging container is omitted, it being understood that the rear view of the label is a substantial mirror image of the front view of the label shown in FIG. 11.

A right side view of the label of the packaging container is omitted, it being understood that the right side view of the label is a substantial mirror image of the left side view of the label shown in FIG. 12.

The present design is for a packaging container, in which a label having an L-shape is inside a container body. Since the

(Continued)



container body is transparent and the label is not, when an article such as a tape cartridge is accommodated inside the closed packaging container, the article cannot be visually observed from the front or from the right side of the packaging container, but can be visually observed from the rear, from the top, from the bottom and from the left side of the packaging container.

**1 Claim, 7 Drawing Sheets**

(58) **Field of Classification Search**

USPC ..... D9/711, 721; D6/407, 629, 632, 634;  
D7/201, 221, 225, 294; D3/35, 201, 221,  
D3/225, 294; D19/3  
CPC ... B65D 5/18; B65D 5/20; B65D 5/32; B65D  
17/12

See application file for complete search history.

(56)

**References Cited**

U.S. PATENT DOCUMENTS

D244,833	S	*	6/1977	Persson	.....	D9/423
D273,721	S	*	5/1984	Ronzani	.....	D6/635
D280,262	S	*	8/1985	Egly	.....	D6/634
D288,031	S	*	2/1987	Gelardi	.....	D6/634
D291,024	S	*	7/1987	Kikuchi	.....	D6/634
D351,080	S	*	10/1994	Sykes	.....	D6/629
D356,922	S	*	4/1995	Du Corday	.....	D6/407
D366,802	S	*	2/1996	Roberts	.....	D6/632
D415,419	S	*	10/1999	Abiteboul	.....	D9/423
D458,064	S	*	6/2002	List, Jr.	.....	D6/703
D536,610	S	*	2/2007	Katz	.....	D6/626
D616,930	S	*	6/2010	Engel	.....	D19/3
2006/0226164	A1	*	10/2006	Graham	.....	A45D 33/24 220/840

\* cited by examiner

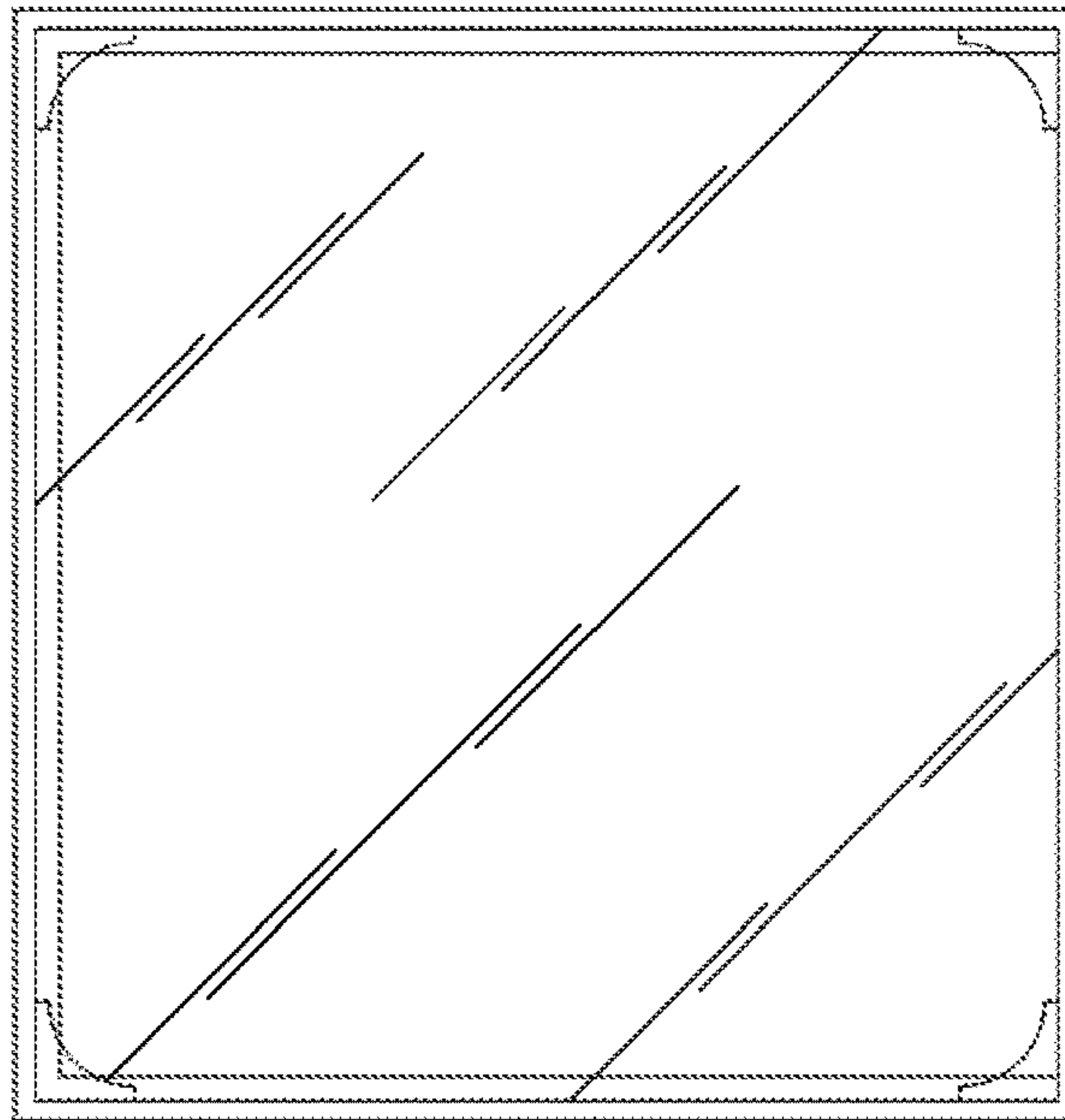


FIG. 1

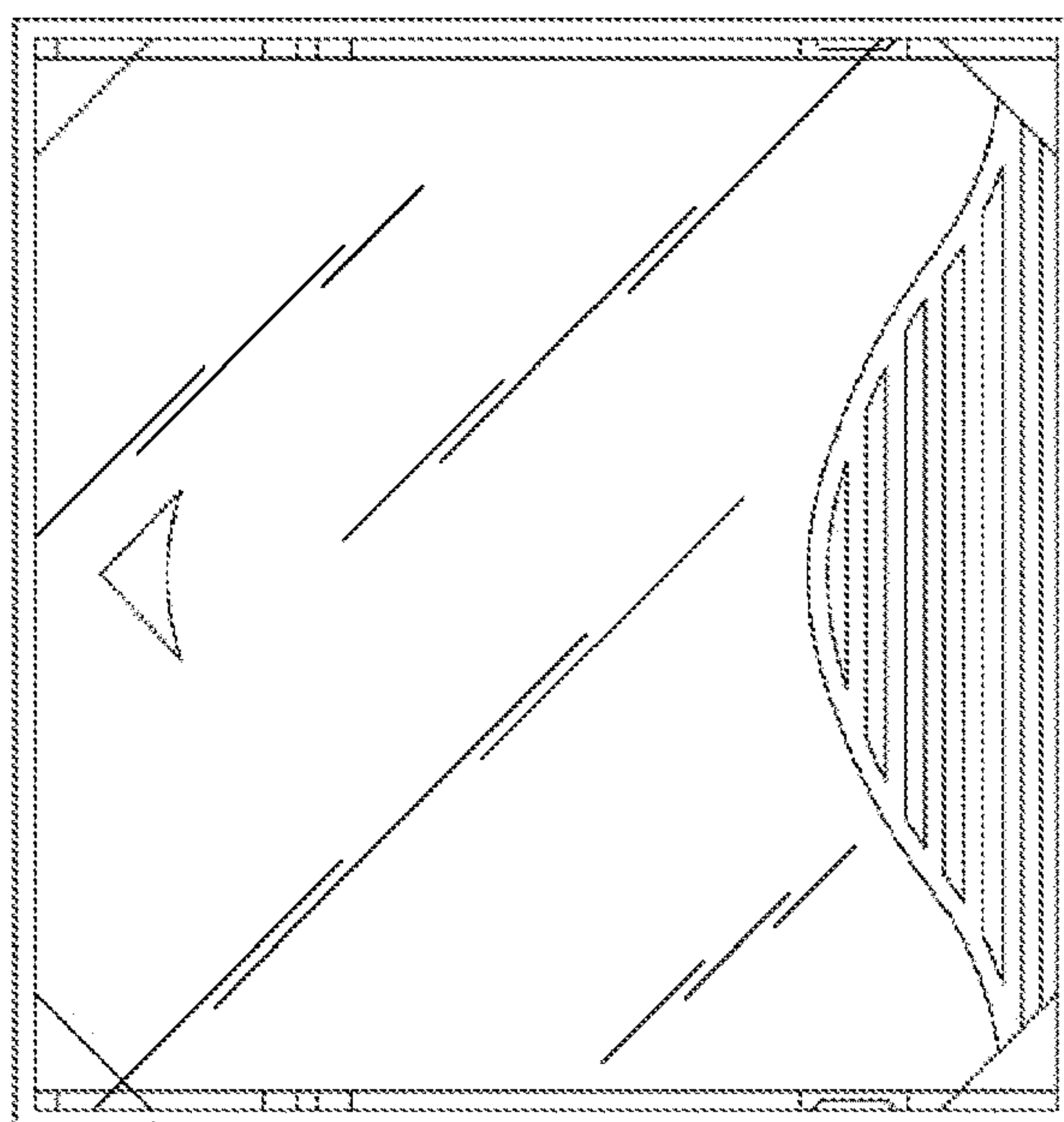


FIG. 2



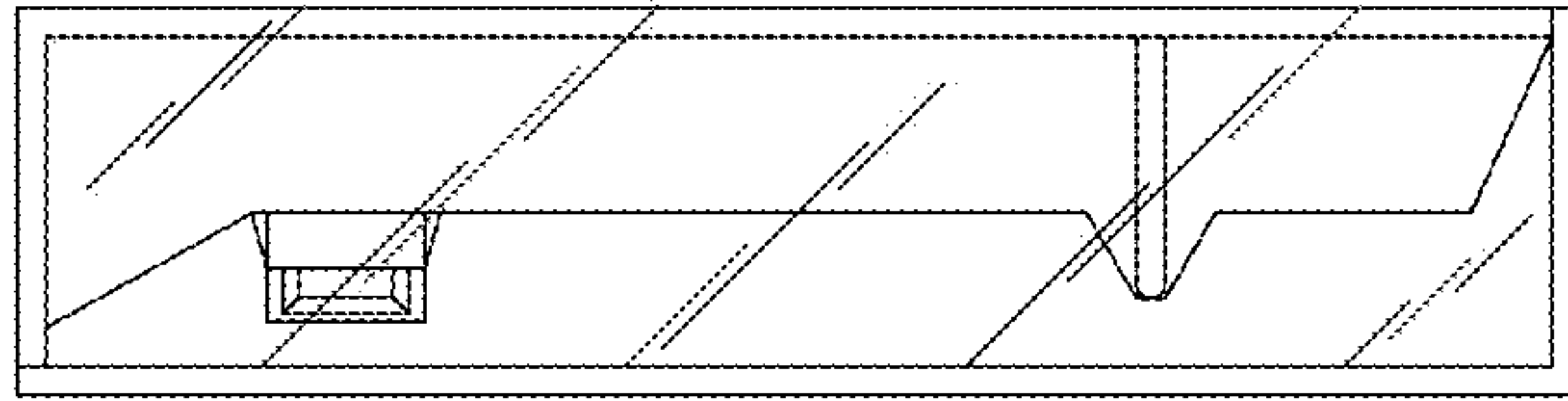


FIG. 3

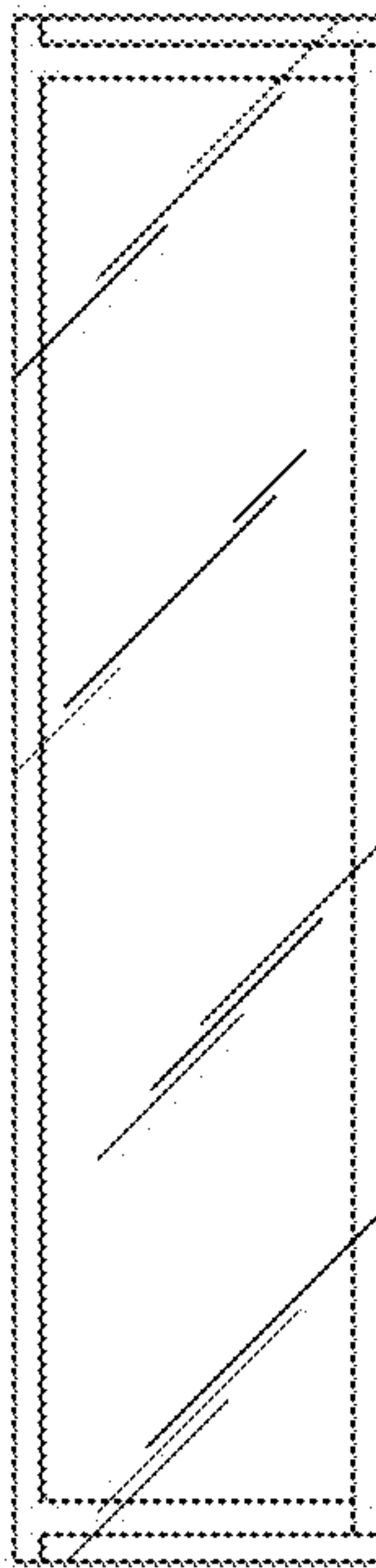


FIG. 4

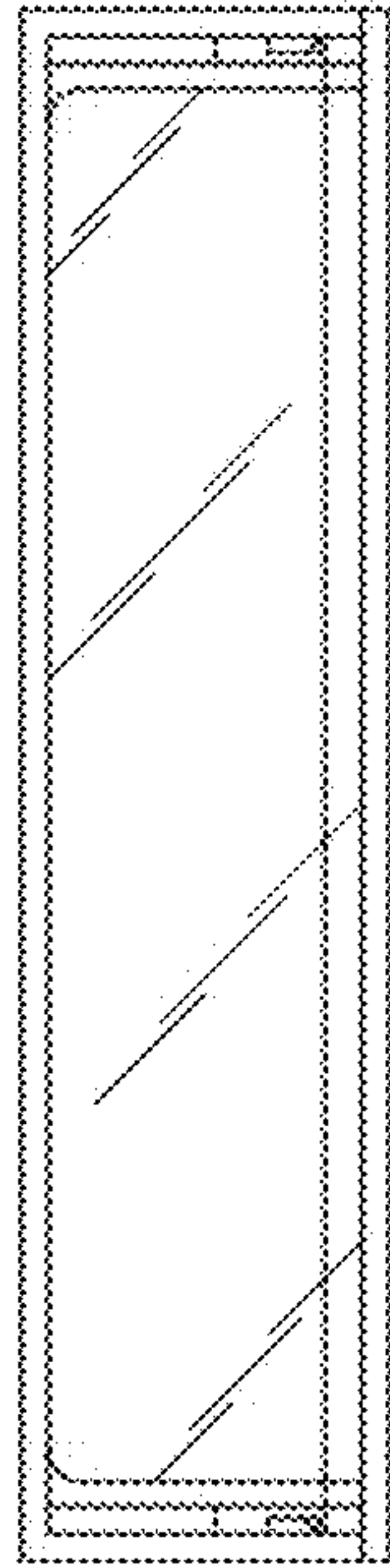


FIG. 5

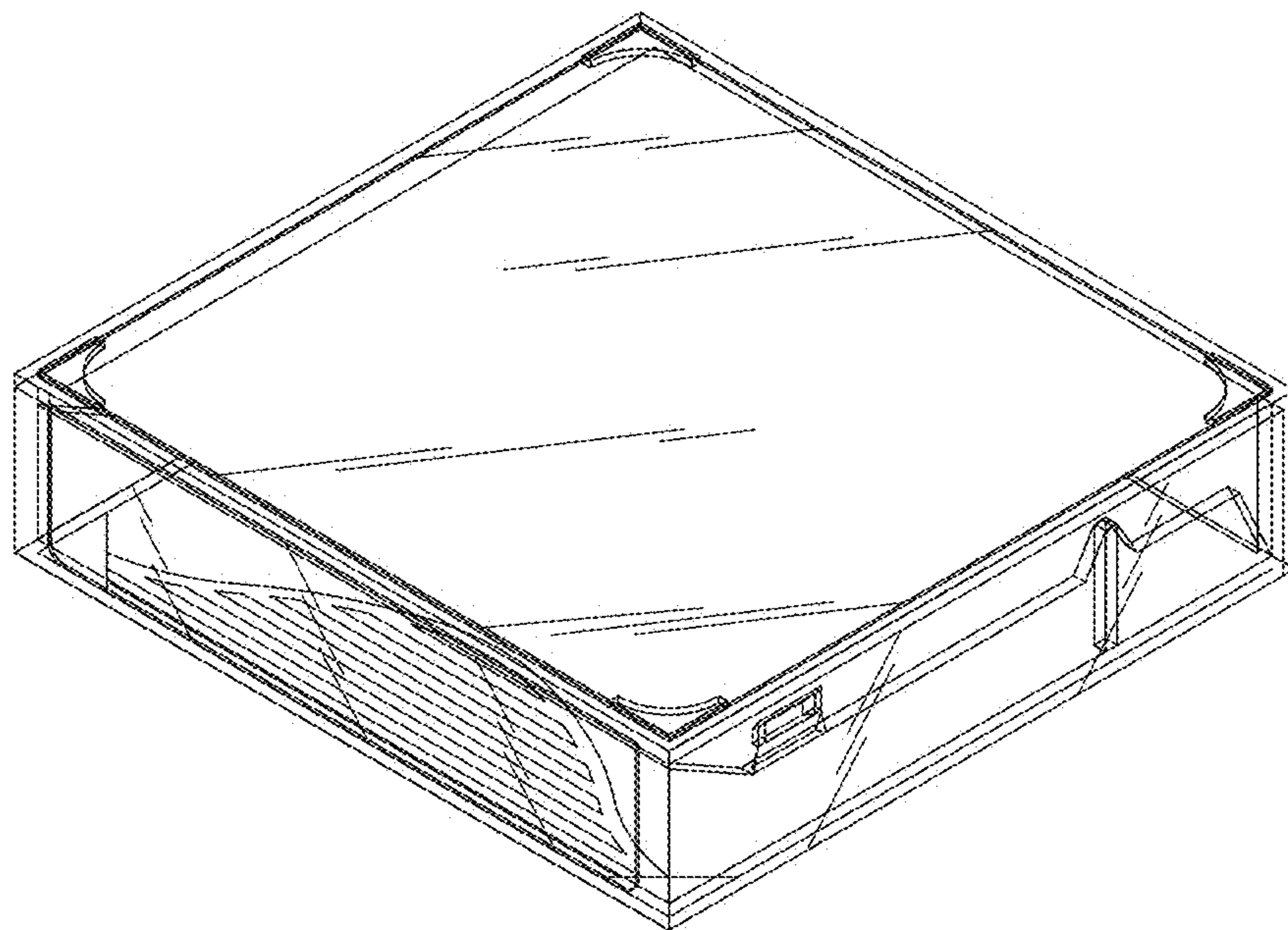


FIG. 6

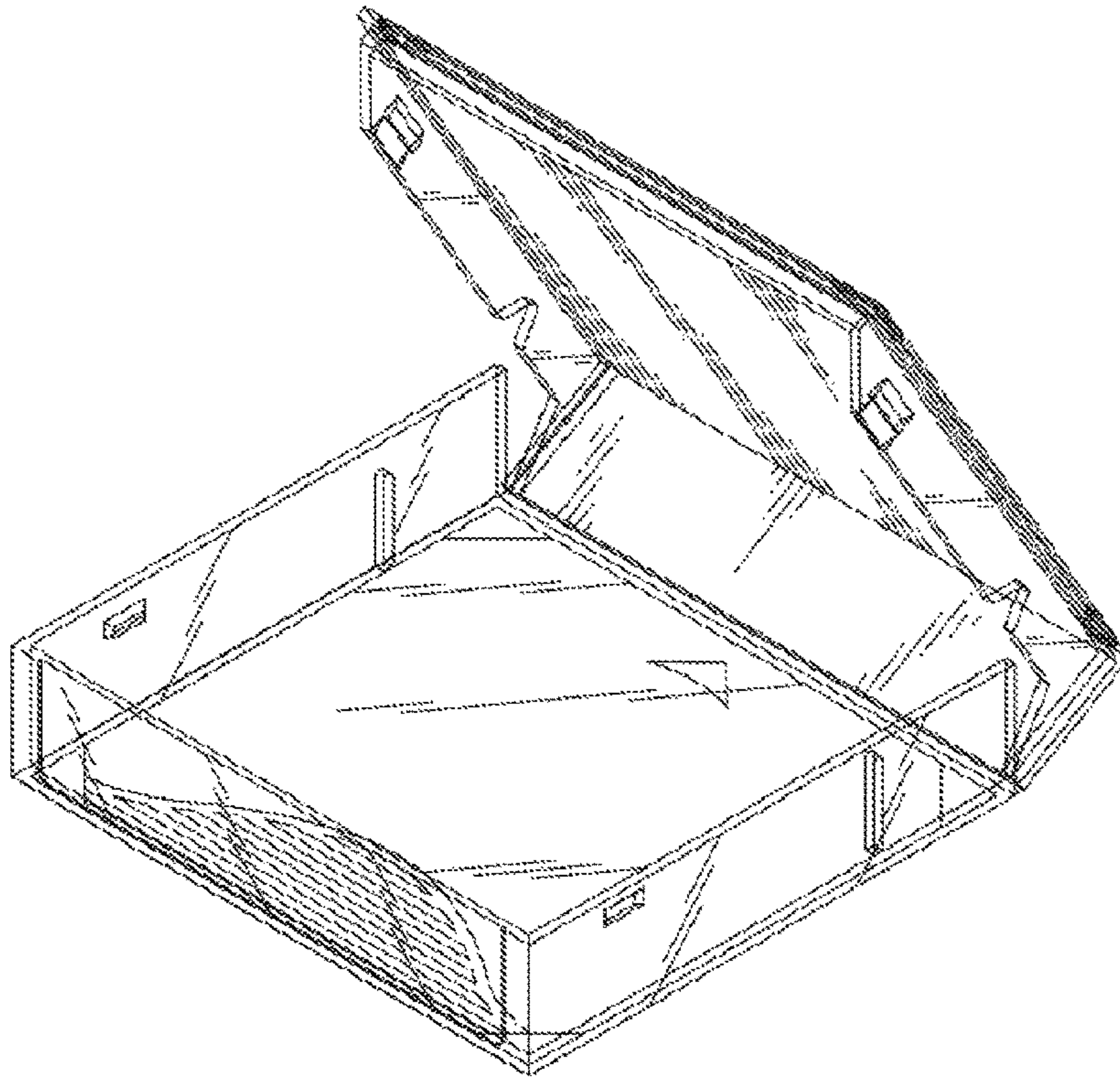


FIG. 7

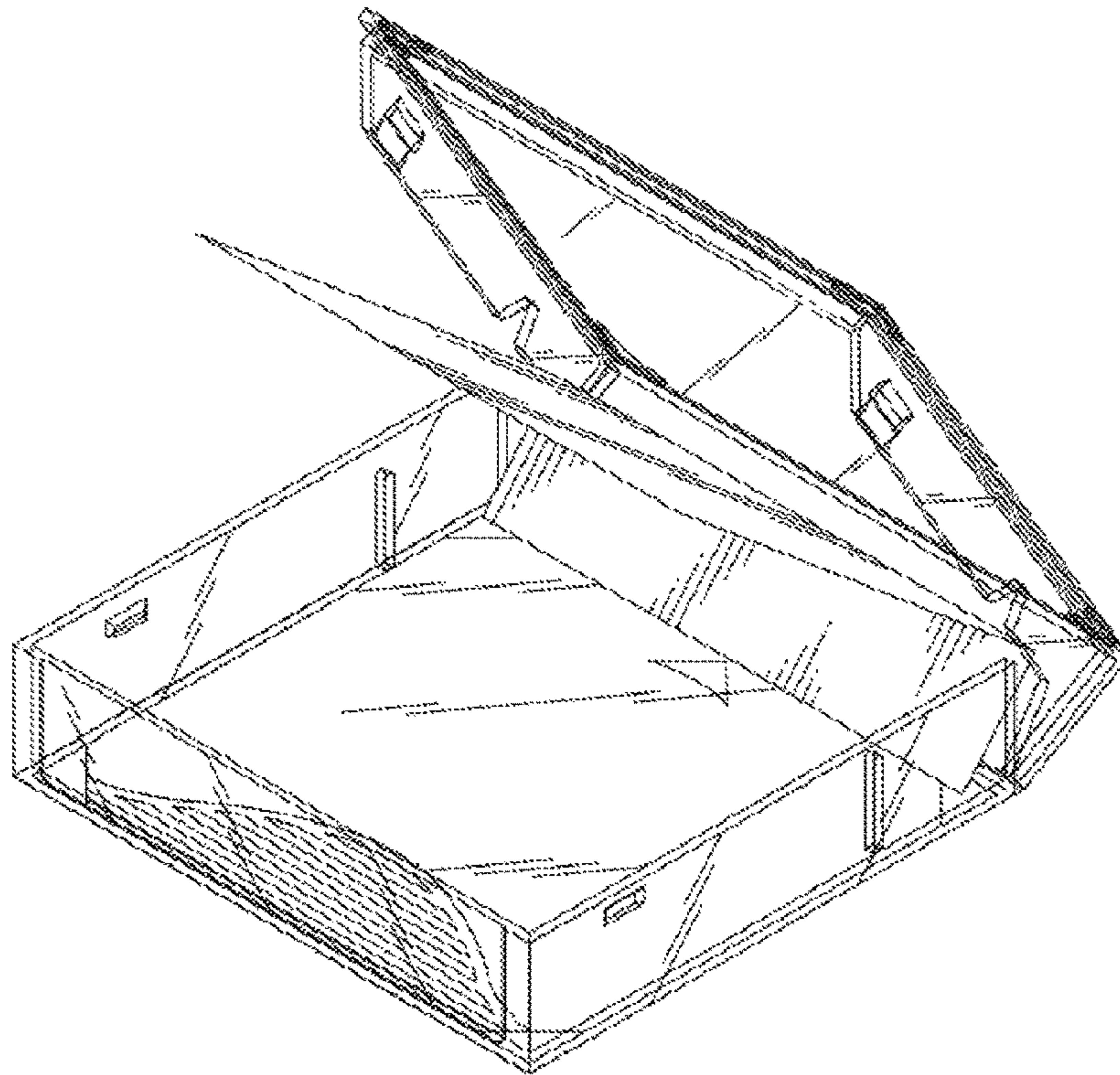


FIG. 8

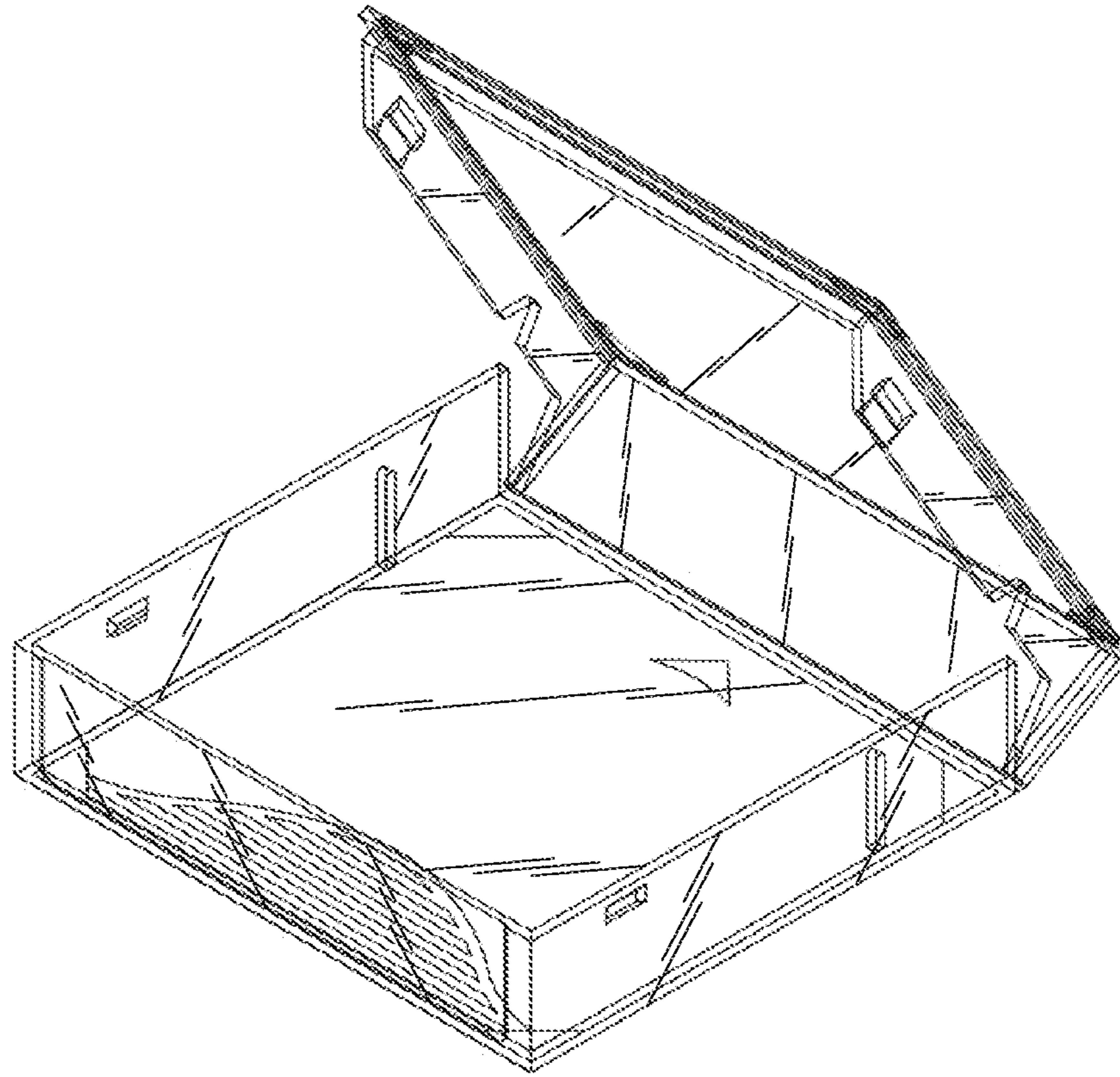


FIG. 9



FIG. 10



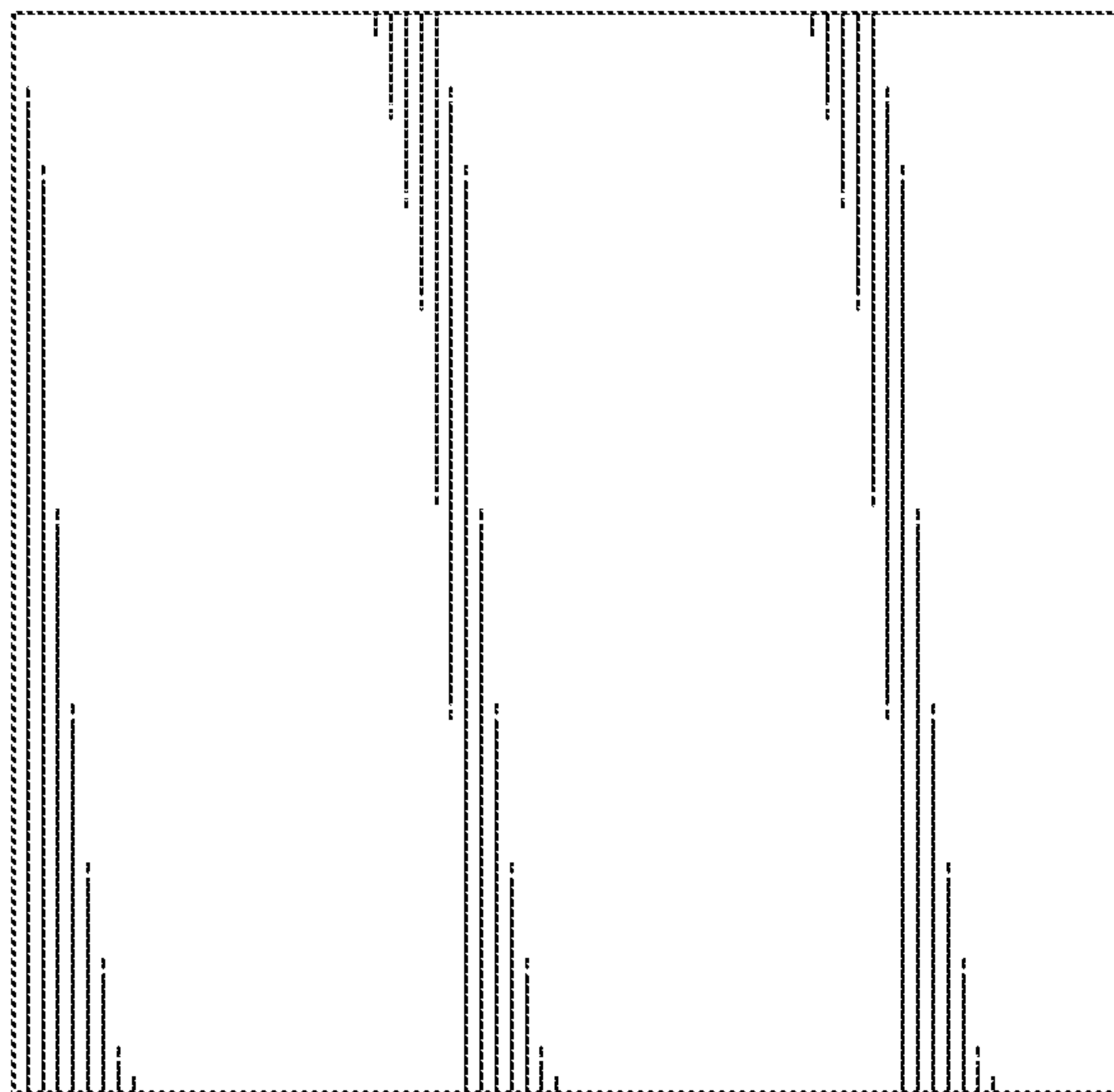


FIG. 11

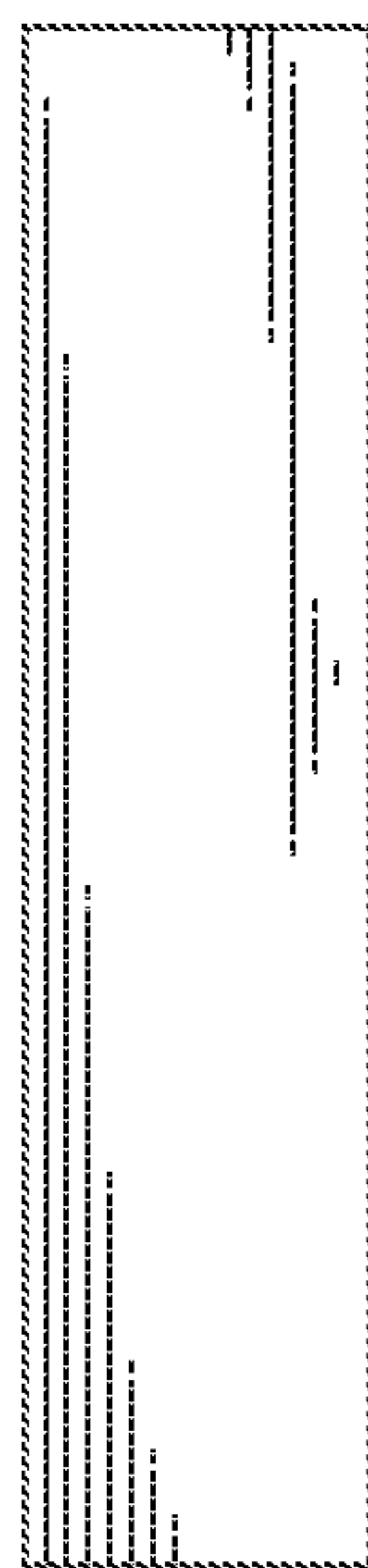


FIG. 12



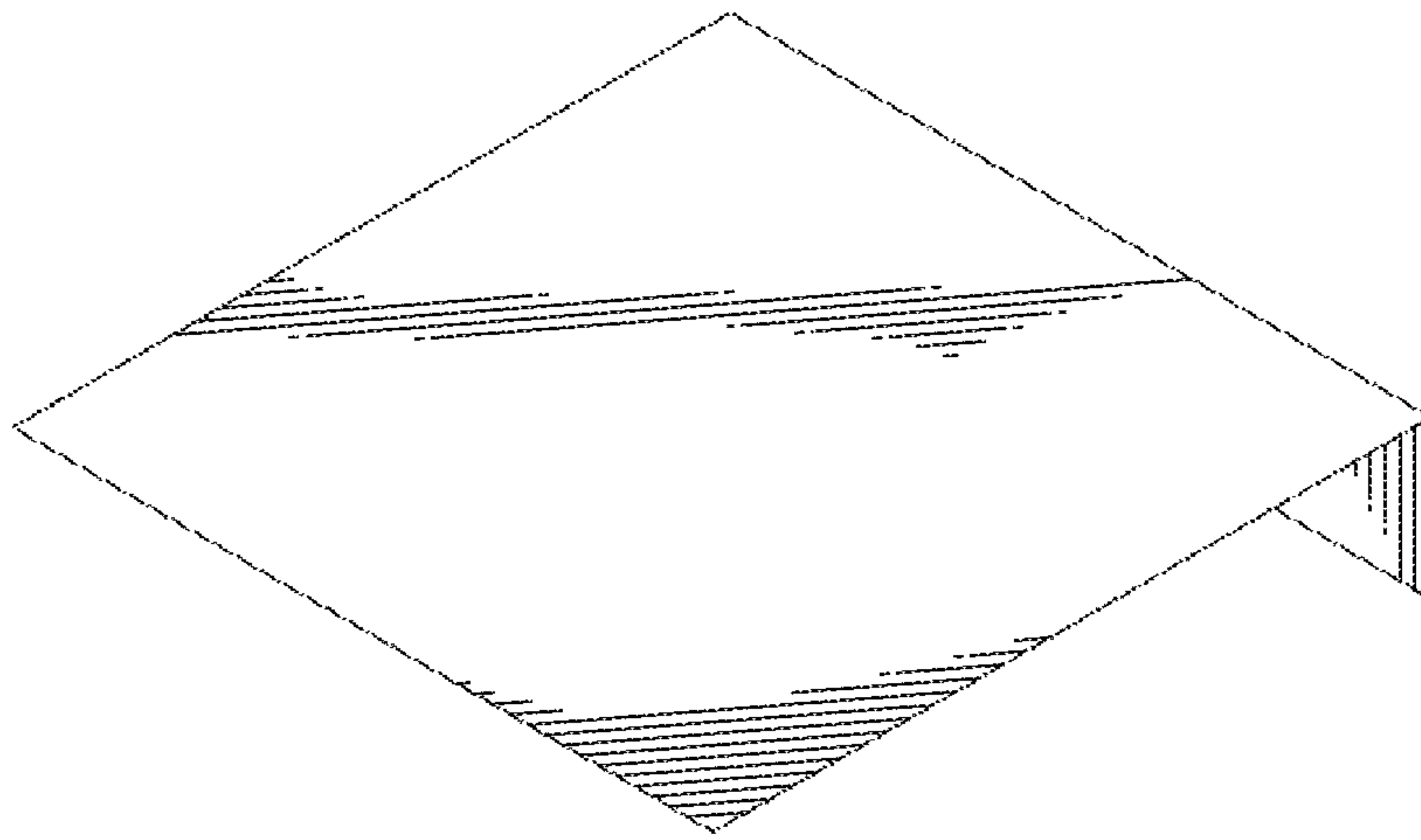


FIG. 13