



US00D837047S

(12) **United States Design Patent**
Lin

(10) **Patent No.:** **US D837,047 S**
(45) **Date of Patent:** **** Jan. 1, 2019**

- (54) **NUT**
- (71) Applicant: **Kun-Meng Lin**, Changhua (TW)
- (72) Inventor: **Kun-Meng Lin**, Changhua (TW)
- (**) Term: **15 Years**
- (21) Appl. No.: **29/613,920**
- (22) Filed: **Aug. 15, 2017**
- (51) **LOC (11) Cl.** **08-08**
- (52) **U.S. Cl.**
USPC **D8/397**
- (58) **Field of Classification Search**
USPC D8/399, 382, 397, 331, 85, 86, 394, 349;
411/140, 508, 418; 72/267; 292/327;
248/318; 29/434; D12/162; 24/595.1
CPC F16B 43/00
See application file for complete search history.

D627,039	S	*	11/2010	Yu	D23/260
D648,006	S	*	11/2011	Morishita	D23/259
D649,031	S	*	11/2011	Rand	D8/397
D669,968	S	*	10/2012	Morishita	D23/259
D713,715	S	*	9/2014	Kury	D8/397
D721,423	S	*	1/2015	Jacques	D23/260
D738,714	S	*	9/2015	Kuhmichel	D8/397
D748,227	S	*	1/2016	von Lepel	D23/260
D749,197	S	*	2/2016	von Lepel	D23/260
D749,199	S	*	2/2016	von Lepel	D23/260
9,297,407	B2	*	3/2016	Pudvah	F16B 41/002
D766,069	S	*	9/2016	Miller	D8/349
D766,075	S	*	9/2016	Milbank	D8/394
9,593,707	B2	*	3/2017	Weis	F16B 37/14
9,624,962	B2	*	4/2017	Unsel	D16B 37/00
2003/0068212	A1	*	4/2003	Wilson	F16B 37/14
						411/429
2011/0123293	A1	*	5/2011	Matlock	F16B 37/14
						411/429
2015/0184687	A1	*	7/2015	Weis	F16B 37/14
						411/373

* cited by examiner

Primary Examiner — Cynthia R Underwood

(56) **References Cited**

U.S. PATENT DOCUMENTS

2,440,944	A	*	5/1948	Green	F16B 39/286
						411/282
D157,484	S	*	2/1950	Gade	411/437
3,543,826	A	*	12/1970	Forgaard	F16B 39/284
						411/284
D223,231	S	*	4/1972	Miller	D8/385
3,693,495	A	*	9/1972	Wagner	F16B 23/003
						411/377
5,324,149	A	*	6/1994	Bainbridge	F16B 37/14
						411/377
5,810,532	A	*	9/1998	Huang	F16B 37/14
						411/377
D484,785	S	*	1/2004	Plumer	D8/397
D488,715	S	*	4/2004	Plumer	D8/397
D513,380	S	*	1/2006	Bruni	D8/397

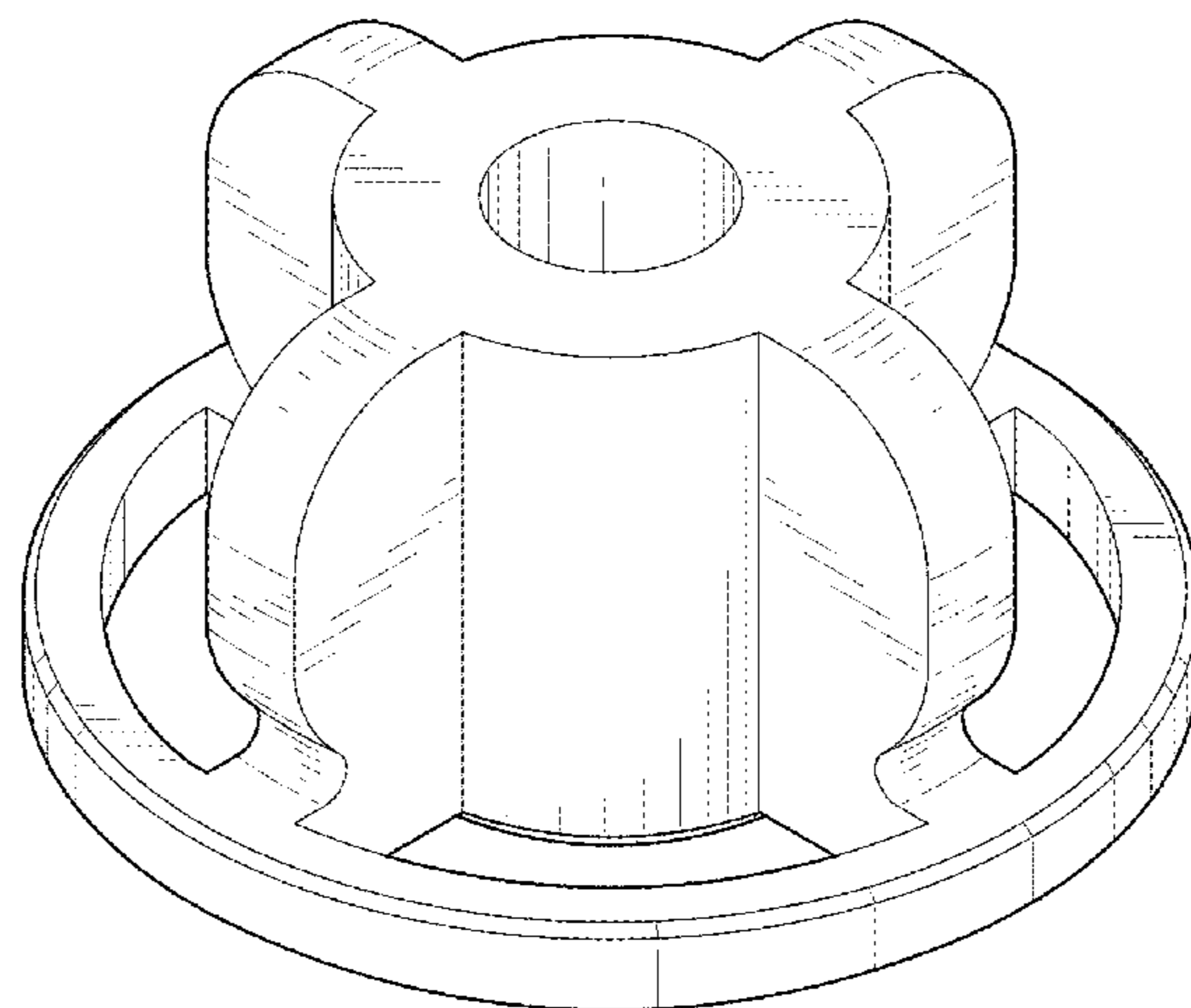
(57) **CLAIM**

The ornamental design for a nut, as shown and described.

DESCRIPTION

FIG. 1 is a perspective view of a nut showing my new design;
 FIG. 2 is a front elevational view thereof, all other side elevational views being a mirror image thereof;
 FIG. 3 is a top plan view thereof;
 FIG. 4 is a bottom plan view thereof; and,
 FIG. 5 is another perspective view thereof.

1 Claim, 5 Drawing Sheets



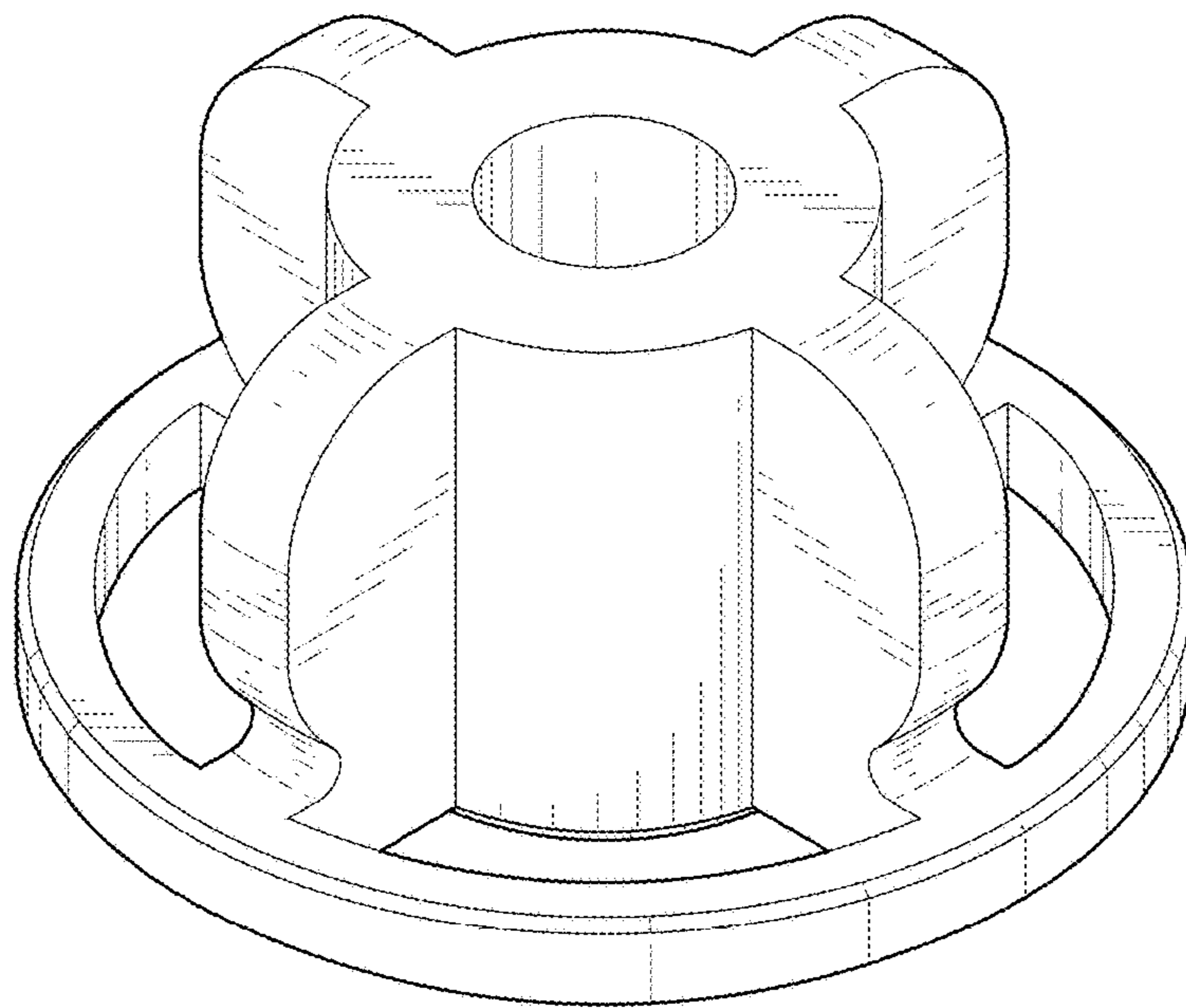


FIG. 1

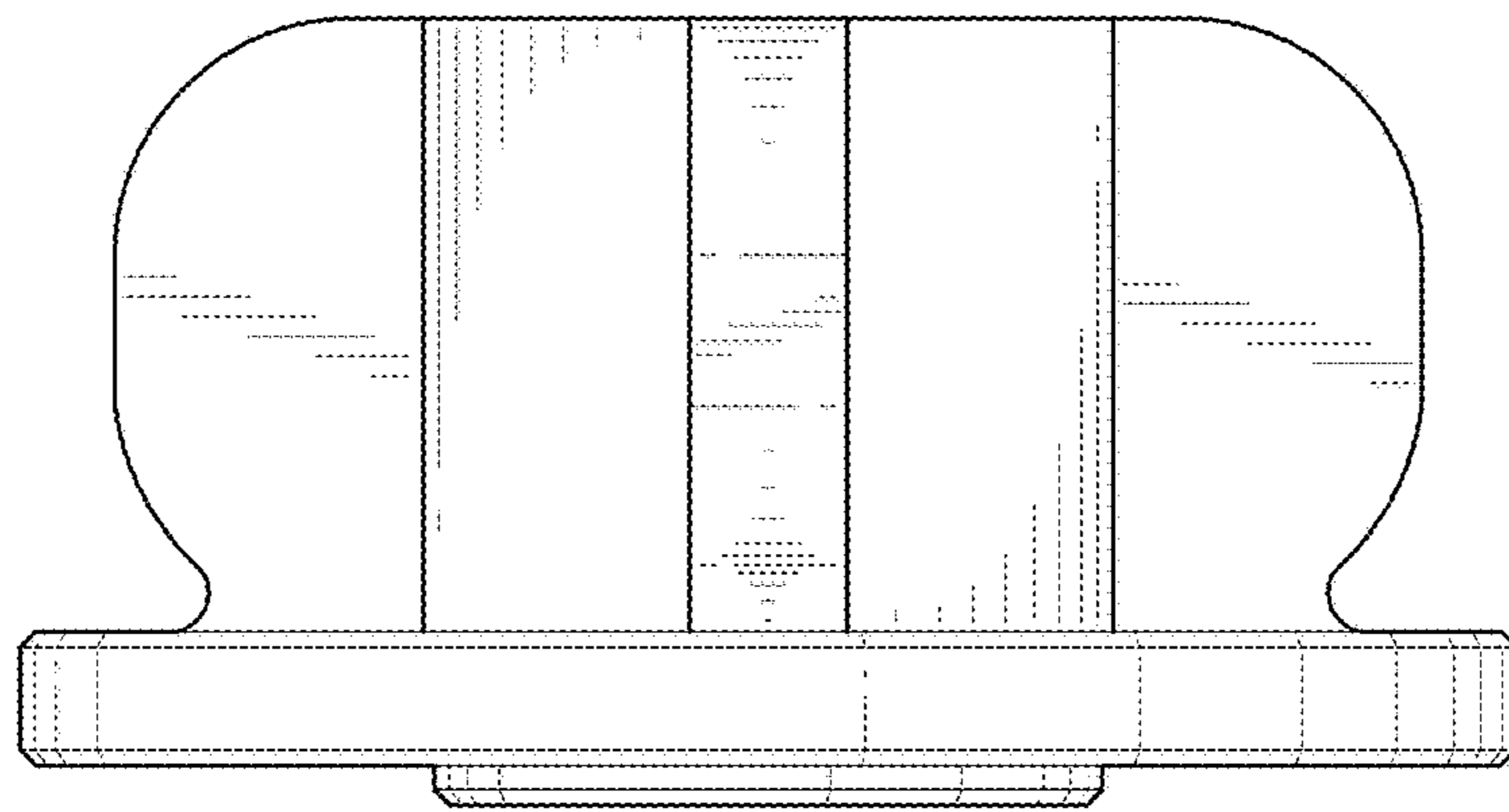


FIG. 2

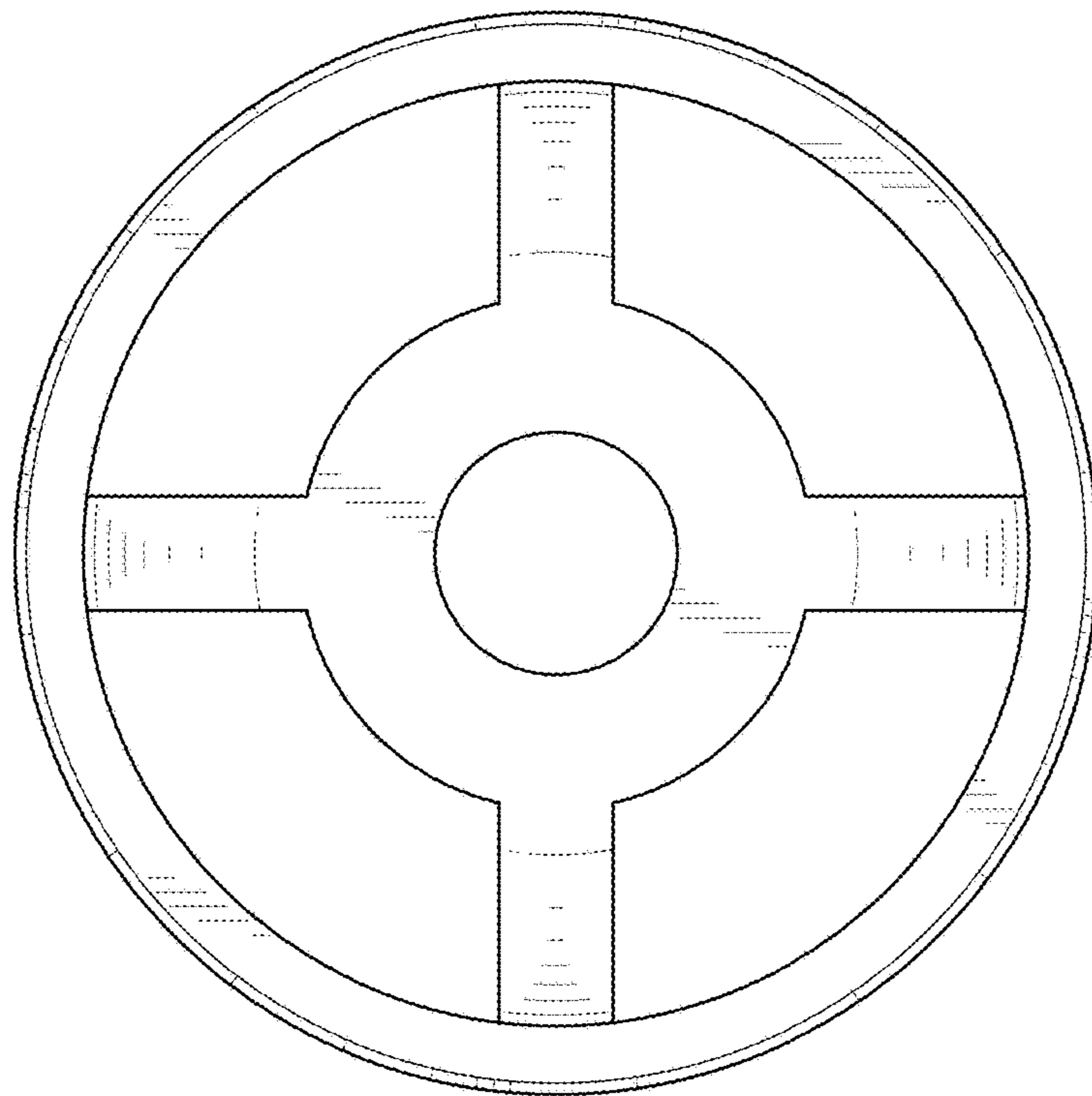


FIG. 3

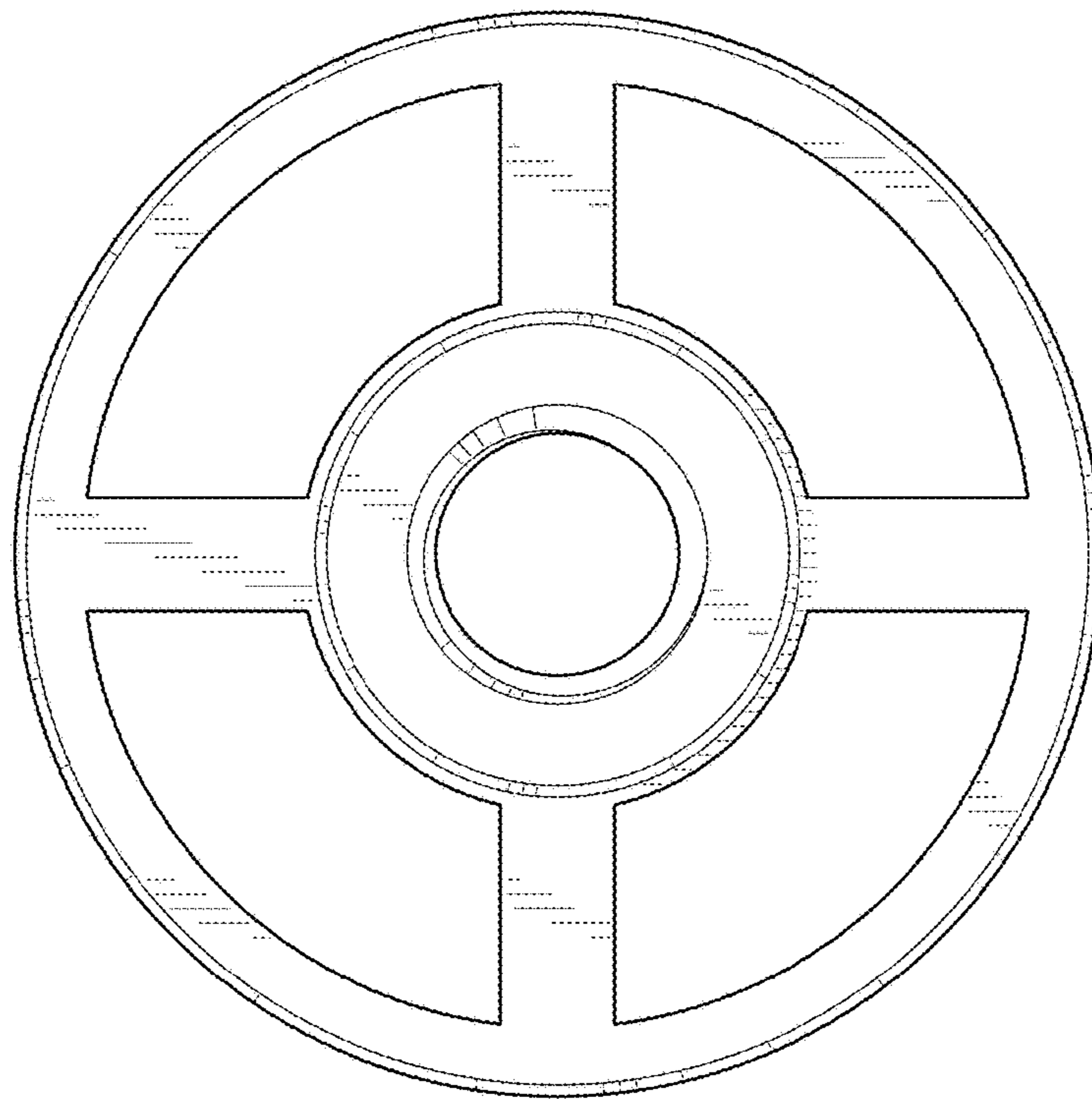


FIG. 4

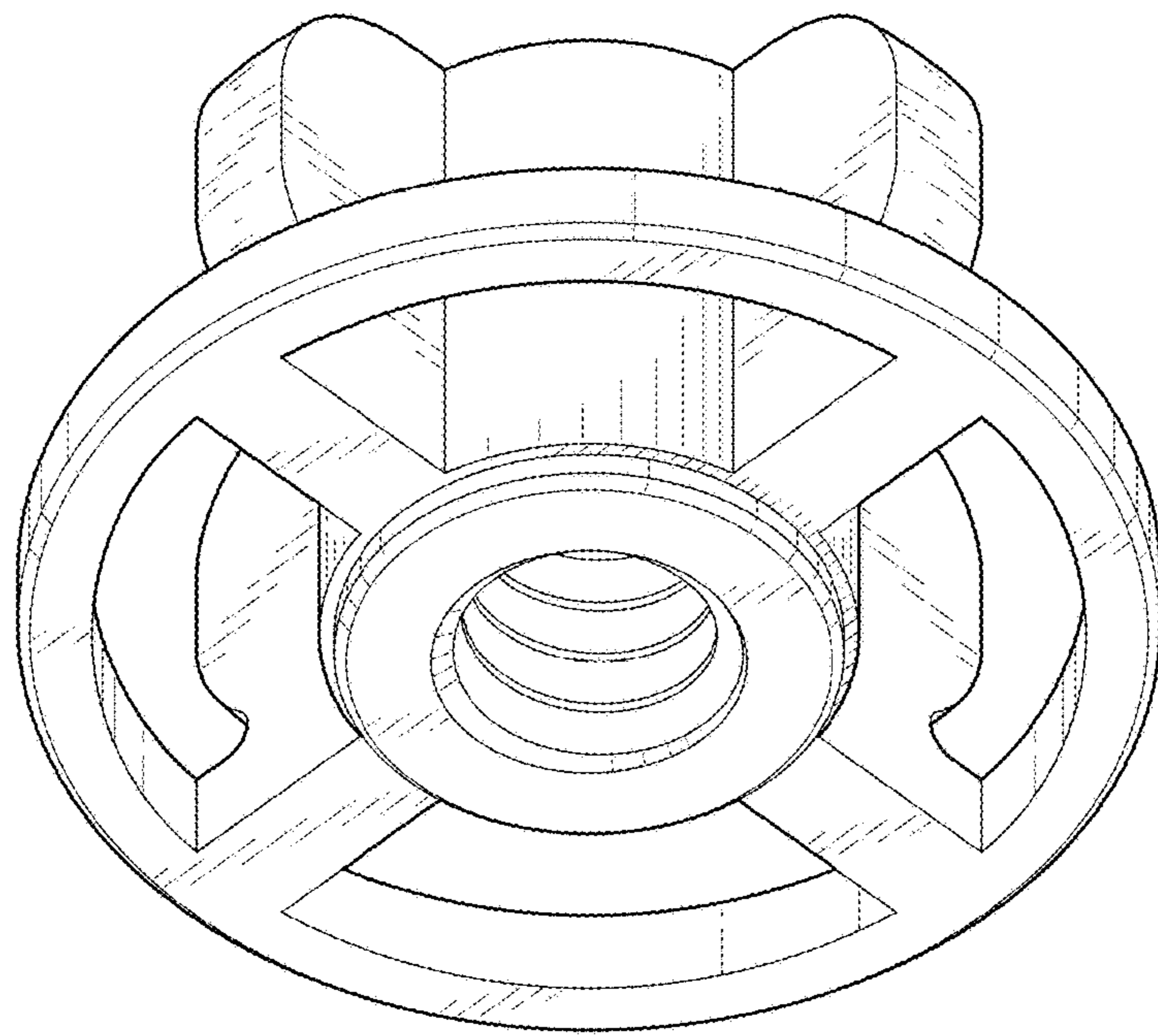


FIG. 5