

US00D837045S

(12) **United States Design Patent**
Rehhahn

(10) **Patent No.:** **US D837,045 S**

(45) **Date of Patent:** **** Jan. 1, 2019**

- (54) **SHEET PILE**
- (71) Applicant: **Jens Rehhahn**, Zeischa (DE)
- (72) Inventor: **Jens Rehhahn**, Zeischa (DE)
- (**) Term: **15 Years**
- (21) Appl. No.: **29/629,182**
- (22) Filed: **Dec. 12, 2017**
- (51) **LOC (11) Cl.** **08-08**
- (52) **U.S. Cl.**
USPC **D8/382**
- (58) **Field of Classification Search**
USPC D8/16, 19, 71, 371, 366, 367, 382, 394,
D8/395; D25/119
CPC E02D 5/02; E02D 5/04; E02D 5/06; E02D
5/08; E02D 5/12; Y10T 403/73
See application file for complete search history.

- 2,004,188 A * 6/1935 Borberg E02D 5/04
405/278
- 2,020,315 A * 11/1935 Hughes E02D 5/08
405/278
- 2,128,428 A * 8/1938 Murray, Jr. E02D 5/04
405/278
- D465,291 S * 11/2002 Marshall D25/119
- D666,484 S * 9/2012 Heindl D8/382
- D782,903 S * 4/2017 Heindl D8/382
- D788,573 S * 6/2017 Heindl D8/382
- D808,782 S * 1/2018 Heindl D8/382
- D808,783 S * 1/2018 Heindl D8/382
- D811,865 S * 3/2018 Heindl D8/382
- D811,867 S * 3/2018 Heindl D8/382
- 2002/0054791 A1* 5/2002 Nottingham E02D 5/02
405/285
- 2007/0127991 A1* 6/2007 Hermes E02D 5/04
405/276
- 2012/0076594 A1* 3/2012 Park E02D 5/02
405/285
- 2018/0044874 A1* 2/2018 Courtright E02D 5/03

* cited by examiner

(56) **References Cited**

U.S. PATENT DOCUMENTS

- 829,399 A * 8/1906 Hill E02D 5/04
405/278
- 912,021 A * 2/1909 Neilson E02D 5/04
405/278
- 923,110 A * 5/1909 Boardman E02D 5/04
256/21
- 926,455 A * 6/1909 Barbour E02D 5/04
405/278
- 976,573 A * 11/1910 Jones E02D 5/04
405/278
- 1,003,778 A * 9/1911 Neilson E02D 5/04
405/281
- 1,183,403 A * 5/1916 Quimby E02D 5/04
405/278
- 1,330,240 A * 2/1920 Conkling E02D 5/04
405/278
- 1,806,967 A * 5/1931 Dougherty E02D 5/04
405/278
- 1,968,241 A * 7/1934 Becker E02D 5/04
405/280

Primary Examiner — Sandra S Snapp

Assistant Examiner — Ieisha N Price

(74) *Attorney, Agent, or Firm* — 24IP Law Group;
Timothy DeWitt

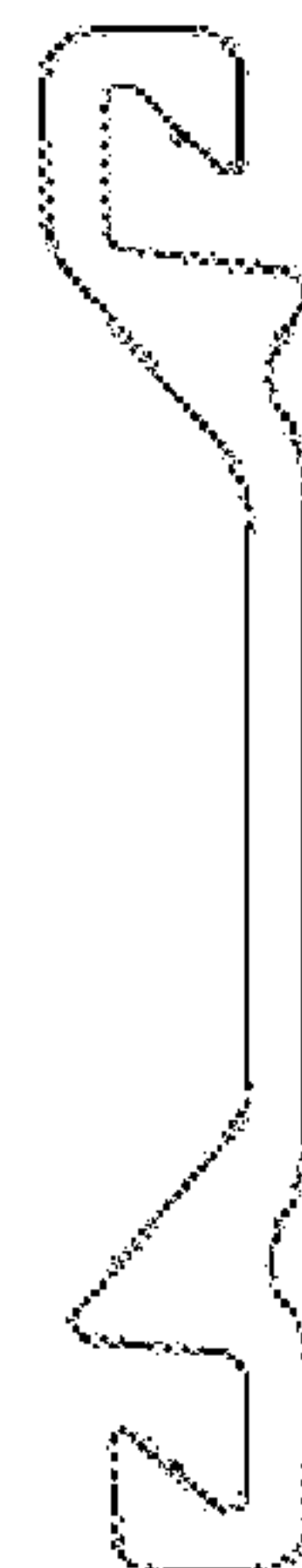
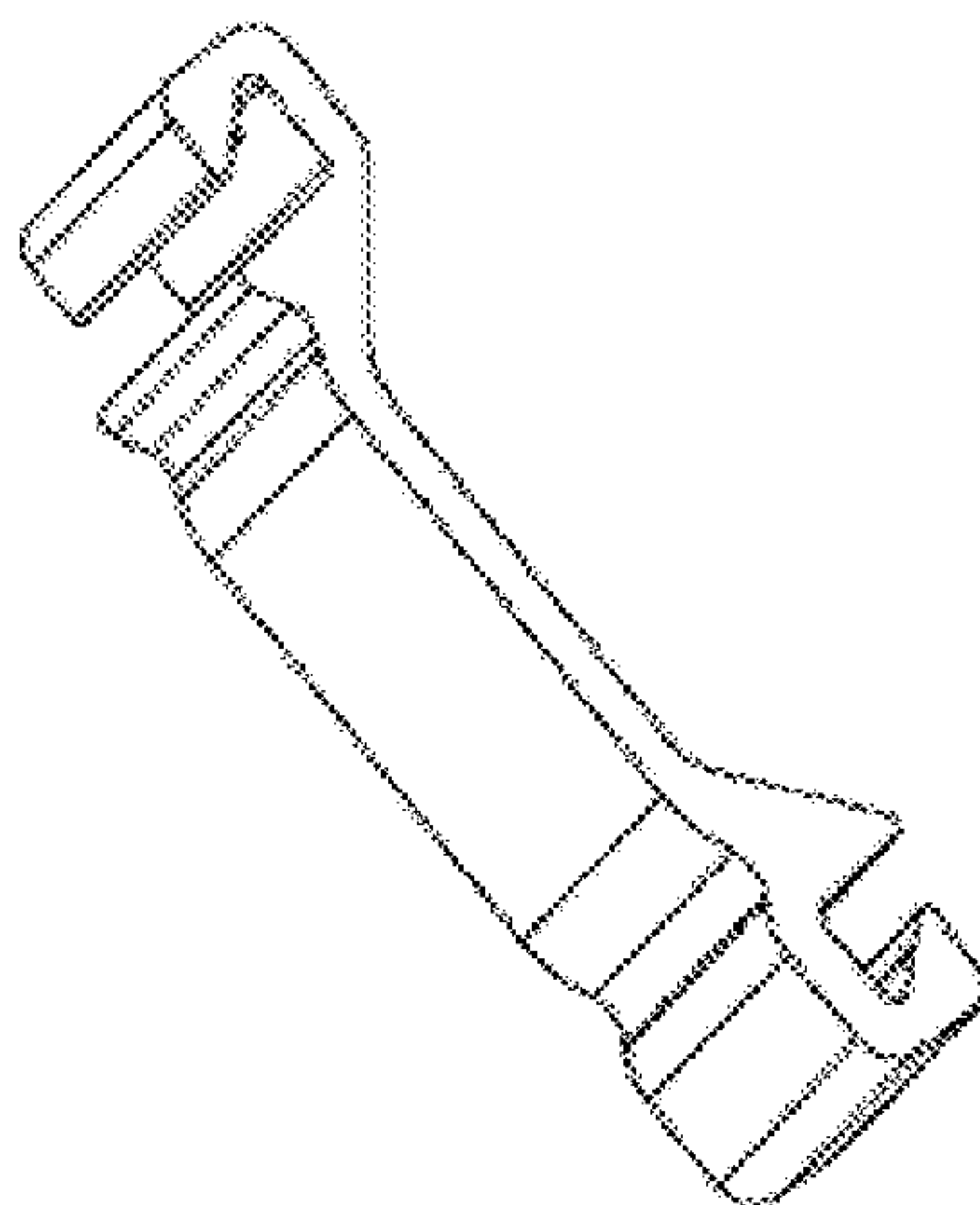
(57) **CLAIM**

The ornamental design for a sheet pile, as shown and described.

DESCRIPTION

FIG. 1 is a perspective view of the sheet pile;
FIG. 2 is a right side view of the sheet pile;
FIG. 3 is a left side view of the sheet pile;
FIG. 4 is a rear view of the sheet pile;
FIG. 5 is a front view of the sheet pile;
FIG. 6 is a bottom view of the sheet pile; and,
FIG. 7 is a top view of the sheet pile.

1 Claim, 4 Drawing Sheets



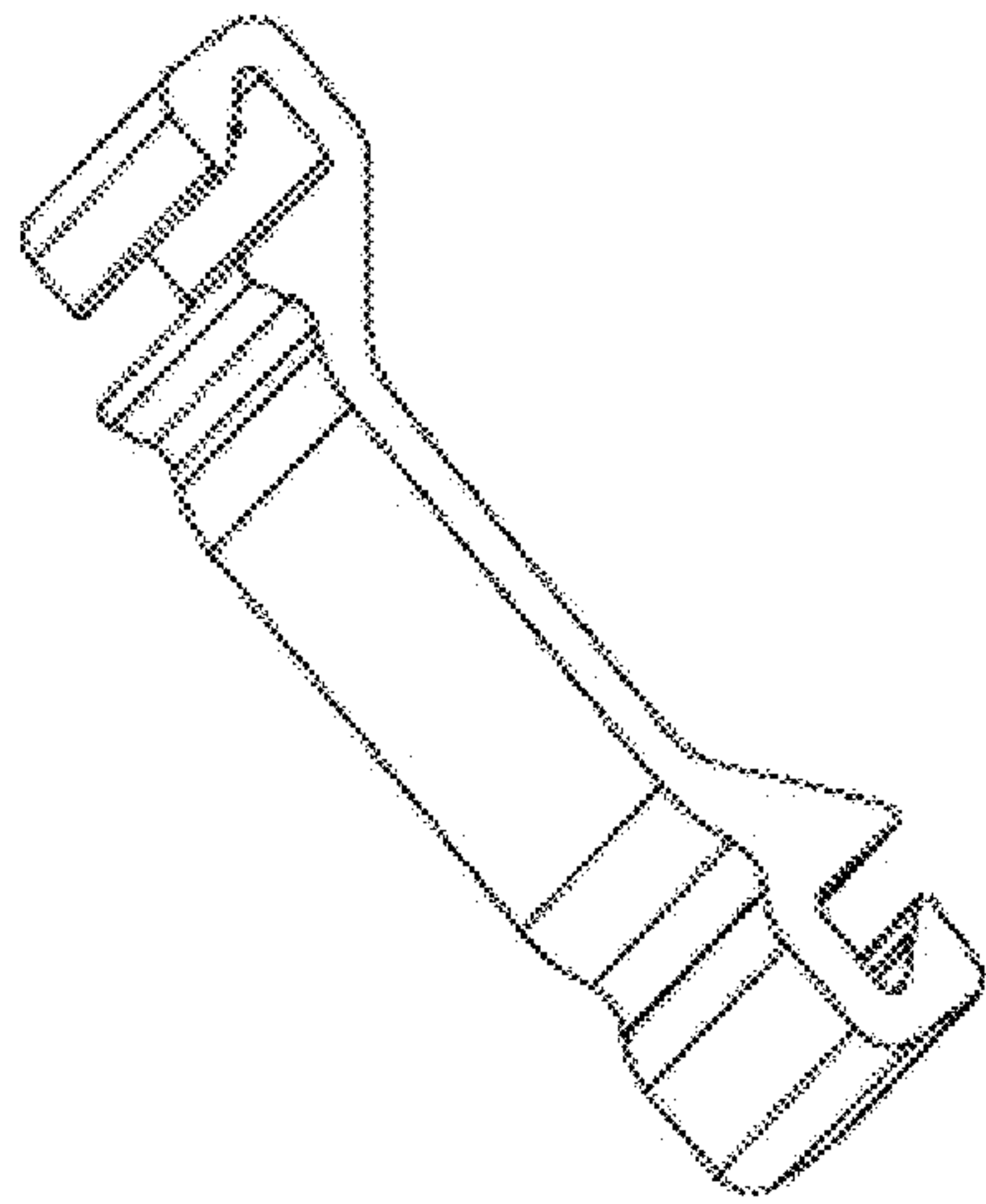


FIG. 1

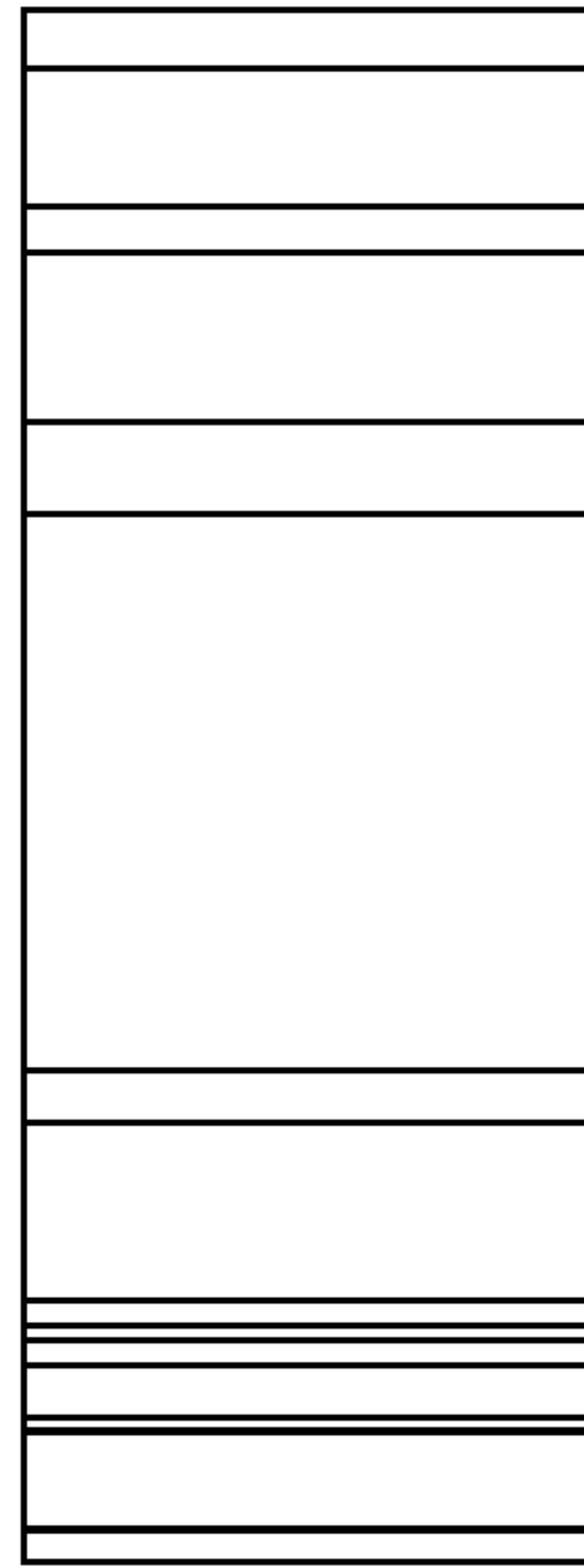


FIG. 2

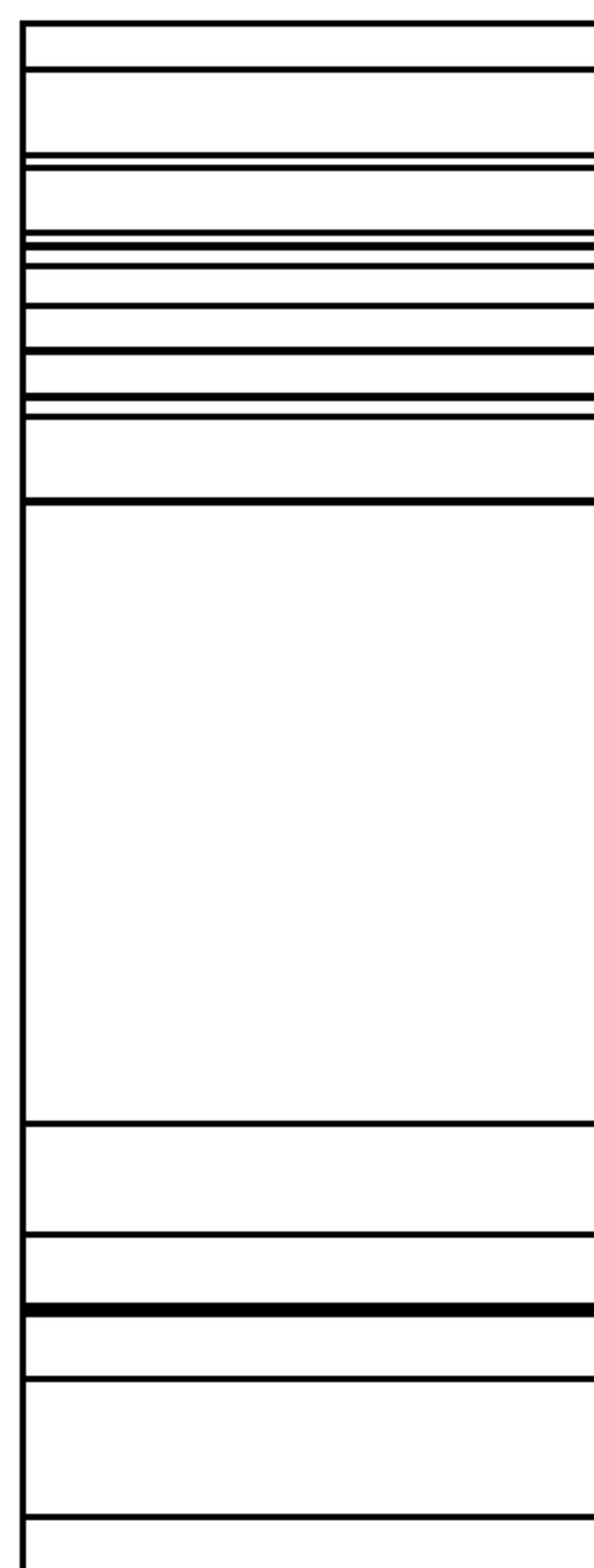


FIG. 3

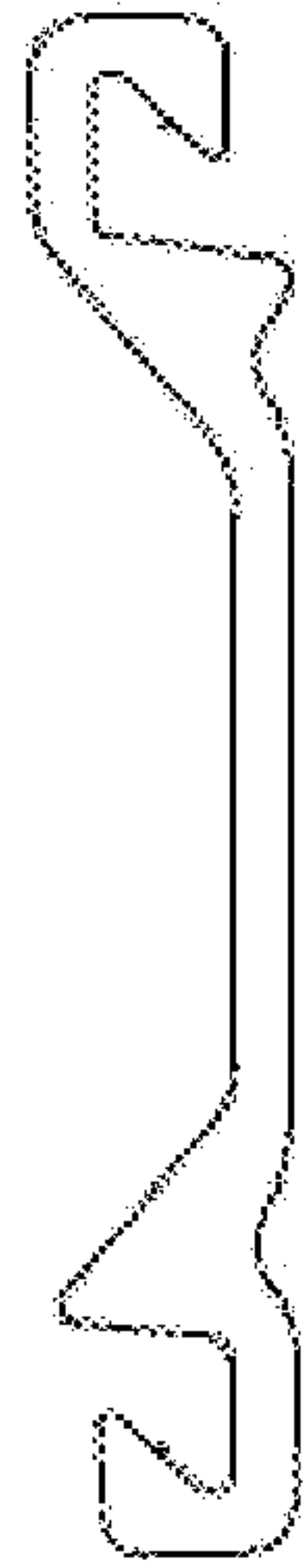


FIG. 4

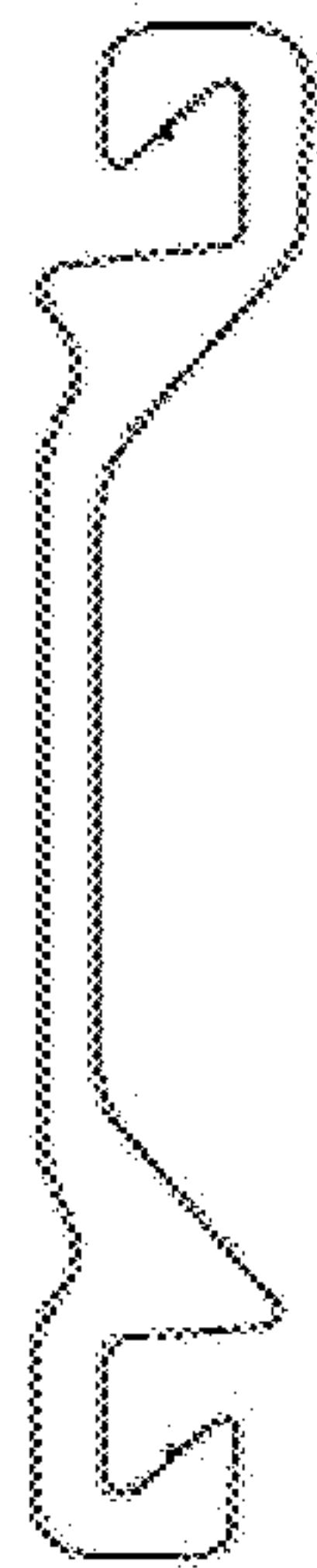


FIG. 5

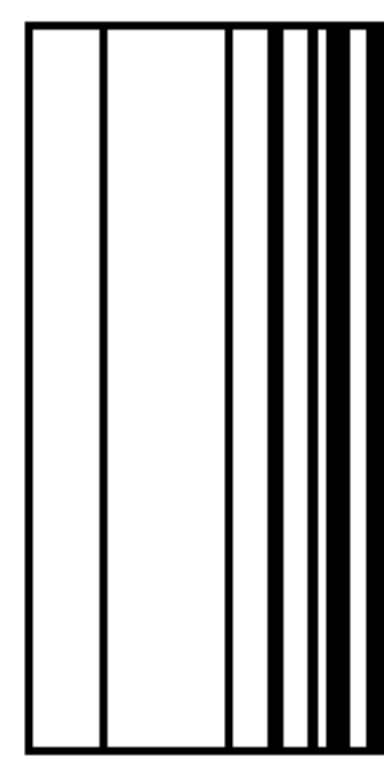


FIG. 6

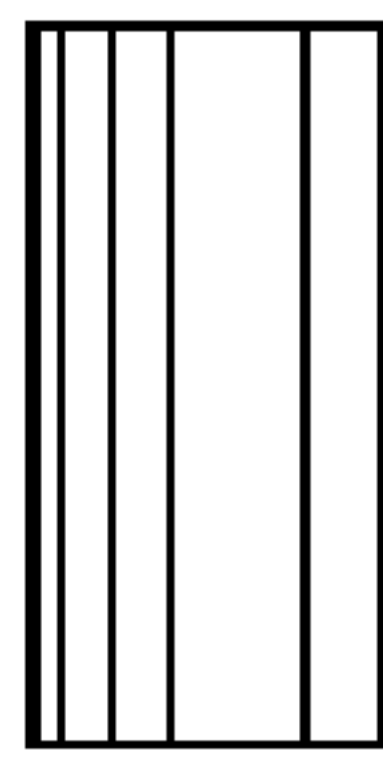


FIG. 7